

INSTALLATION INSTRUCTIONS 30" (76.2 CM) FREESTANDING ELECTRIC RANGES

INSTRUCTIONS D'INSTALLATION DES CUISINIÈRES ÉLECTRIQUES AUTOPORTANTES DE 30" (76,2 CM)

Table of Contents/Table des matières

RANGE SAFETY2 INSTALLATION REQUIREMENTS3 Tools and Parts3 Location Requirements3 Electrical Requirements4 INSTALLATION INSTRUCTIONS4 Unpack Range.....4 Install Anti-Tip Bracket.....5 Level Range.....6 Verify Anti-Tip Bracket Is Installed and Engaged6 Warming Drawer or Premium Storage Drawer7 Storage Drawer7 Oven Door8 Complete Installation8 Moving the Range.....9	SÉCURITÉ DE LA CUISINIÈRE10 EXIGENCES D'INSTALLATION11 Outillage et pièces.....11 Exigences d'emplacement.....11 Spécifications électriques12 INSTRUCTIONS D'INSTALLATION13 Déballage de la cuisinière13 Installation de la bride antibasculement13 Réglage de l'aplomb de la cuisinière14 Vérifier que la bride antibasculement est bien installée et engagée.....15 Tiroir-réchaud ou tiroir de remisage de qualité supérieure15 Tiroir de remisage.....16 Porte du four.....16 Achever l'installation17 Déplacement de la cuisinière17
--	---

IMPORTANT:

Save for local electrical inspector's use.

IMPORTANT :

À conserver pour consultation par l'inspecteur local des installations électriques.

RANGE SAFETY

Your safety and the safety of others are very important.

We have provided many important safety messages in this manual and on your appliance. Always read and obey all safety messages.



This is the safety alert symbol.

This symbol alerts you to potential hazards that can kill or hurt you and others.

All safety messages will follow the safety alert symbol and either the word "DANGER" or "WARNING." These words mean:

⚠ DANGER

You can be killed or seriously injured if you don't immediately follow instructions.

⚠ WARNING

You can be killed or seriously injured if you don't follow instructions.

All safety messages will tell you what the potential hazard is, tell you how to reduce the chance of injury, and tell you what can happen if the instructions are not followed.

⚠ WARNING

Tip Over Hazard

A child or adult can tip the range and be killed.

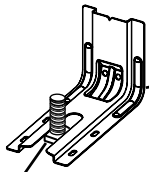
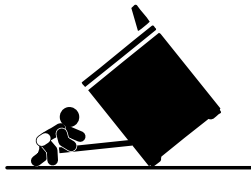
Install anti-tip bracket to floor or wall per installation instructions.

Slide range back so rear range foot is engaged in the slot of the anti-tip bracket.

Re-engage anti-tip bracket if range is moved.

Do not operate range without anti-tip bracket installed and engaged.

Failure to follow these instructions can result in death or serious burns to children and adults.



Anti-Tip Bracket

Range Foot

To verify the anti-tip bracket is installed and engaged:

- Slide range forward.
- Look for the anti-tip bracket securely attached to floor or wall.
- Slide range back so rear range foot is under anti-tip bracket.
- See installation instructions for details.

INSTALLATION REQUIREMENTS

Tools and Parts

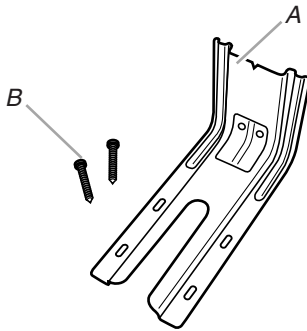
Gather the required tools and parts before starting installation. Read and follow the instructions provided with any tools listed here.

Tools Needed

- Tape measure
- Flat-blade screwdriver
- Phillips screwdriver
- Level
- Hammer
- Hand or electric drill
- Wrench or pliers
- Marker or pencil
- Masking tape
- 1/4" drive ratchet
- 1/4" nut driver
- 3/8" and 5/16" nut driver
- 1/8" (3.2 mm) drill bit (for wood floors)

Parts Supplied

Check that all parts are included.



A. Anti-tip bracket
B. #12 x 1 5/8" screws (2)

- Anti-tip bracket must be securely mounted to floor or wall. Thickness of flooring may require longer screws to anchor bracket to floor.

Parts Needed

Check local codes. Check existing electrical supply. See "Electrical Requirements" section.

It is recommended that all electrical connections be made by a licensed, qualified electrical installer.

Location Requirements

IMPORTANT: Observe all governing codes and ordinances.

- It is the installer's responsibility to comply with installation clearances specified on the model/serial/rating plate. The model/serial/rating plate is located on the frame behind a top corner of the door or on either side of the drawer.
- To eliminate the risk of burns or fire by reaching over heated surface units, cabinet storage space located above the surface units should be avoided. If cabinet storage is to be provided, the risk can be reduced by installing a range hood that projects horizontally a minimum of 5" (12.7 cm) beyond the bottom of the cabinets.
- Cabinet opening dimensions that are shown must be used. Given dimensions are minimum clearances.
- The anti-tip bracket must be installed. To install the anti-tip bracket shipped with the range, see "Install Anti-Tip Bracket" section.
- Grounded electrical supply is required. See "Electrical Requirements" section.

IMPORTANT: To avoid damage to your cabinets, check with your builder or cabinet supplier to make sure that the materials used will not discolor, delaminate or sustain other damage. This oven has been designed in accordance with the requirements of UL and CSA International and complies with the maximum allowable wood cabinet temperatures of 194°F (90°C).

Mobile Home - Additional Installation Requirements

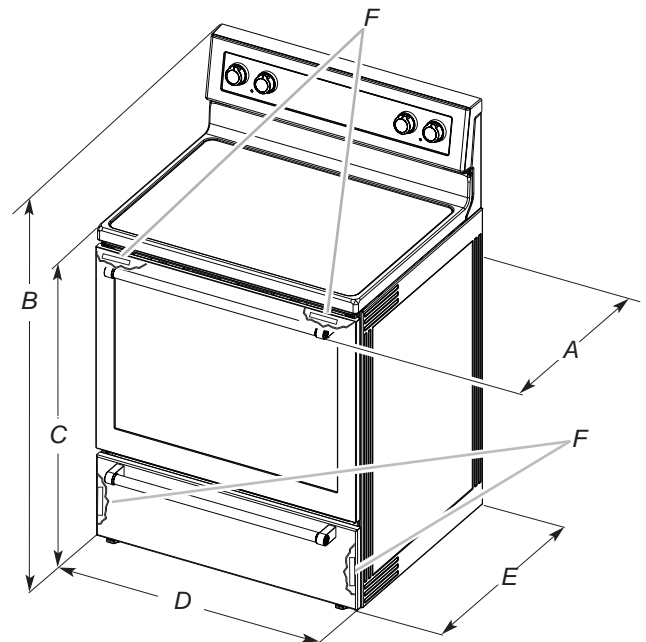
The installation of this range must conform to the Manufactured Home Construction and Safety Standard, Title 24 CFR, Part 3280 (formerly the Federal Standard for Mobile Home Construction and Safety, Title 24, HUD Part 280). When such standard is not applicable, use the Standard for Manufactured Home Installations, ANSI A225.1/NFPA 501A or with local codes.

In Canada, the installation of this range must conform with the current standards CAN/CSA-Z240-latest edition, or with local codes.

Mobile home installations require:

- When this range is installed in a mobile home, it must be secured according to the instructions in this document.

Product Dimensions



- A. 27 3/4" (70.5 cm) max. depth with handle
- B. 47 1/8" (119.7 cm) overall height (max.) with leveling legs screwed in all the way*
- C. 36" (91.4 cm) cooktop height (max.) with leveling legs screwed in all the way*
- D. 29 7/8" (75.9 cm) width
- E. 25 5/16" (64.3 cm) depth - back of range to front of cooktop**
- F. Model/serial/rating plate (located on the frame behind a top corner of the door or on either side of the drawer)

IMPORTANT: Range must be level after installation. Follow the instructions in the "Level Range" section. Using the cooktop as a reference for leveling the range is not recommended.

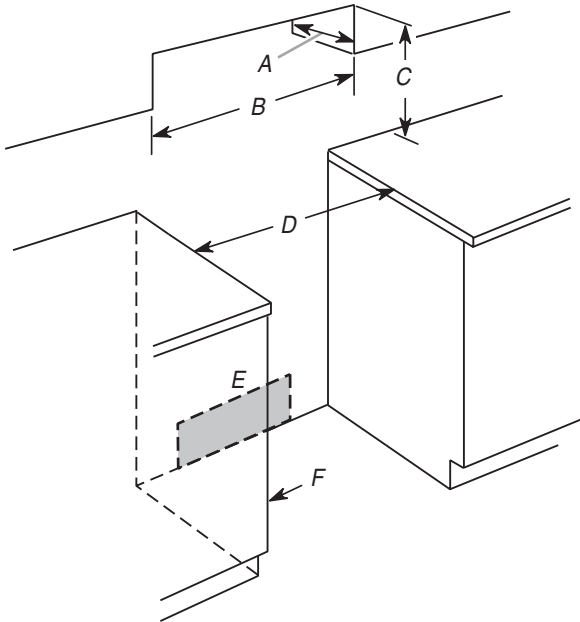
*Range can be raised approximately 1" (2.5 cm) by adjusting the leveling legs.

**Front of door and drawer may extend further forward depending on styling.

Cabinet Dimensions

Cabinet opening dimensions shown are for 25" (64.0 cm) countertop depth, 24" (61.0 cm) base cabinet depth and 36" (91.4 cm) countertop height.

IMPORTANT: If installing a range hood or microwave hood combination above the range, follow the range hood or microwave hood combination installation instructions for dimensional clearances above the cooktop surface.



- A. 13" (33.0 cm) max. upper cabinet depth
- B. 30" (76.2 cm) min. opening width
- C. For minimum clearance to top of cooktop, see NOTE*.
- D. 30" (76.2 cm) min. opening width
- E. Outlet - 8" to 22" (20.3 cm to 55.9 cm) from either cabinet, 7" (17.8 cm) max. from floor
- F. Cabinet door or hinges should not extend into the cutout.

***NOTE:** 24" (61.0 cm) minimum when bottom of wood or metal cabinet is covered by not less than 1/4" (0.64 cm) flame retardant millboard covered with not less than No. 28 MSG sheet steel, 0.015" (0.4 mm) stainless steel, 0.024" (0.6 mm) aluminum or 0.020" (0.5 mm) copper.

30" (76.2 cm) minimum clearance between the top of the cooking platform and the bottom of an uncovered wood or metal cabinet.

Electrical Requirements

⚠ WARNING



Electrical Shock Hazard

Electrically ground range.

Failure to do so can result in death, fire, or electrical shock.

If codes permit and a separate ground wire is used, it is recommended that a qualified electrical installer determine that the ground path is adequate and wire gauge are in accordance with local codes.

Be sure that the electrical connection and wire size are adequate and in conformance with CSA Standard C22.1, Canadian Electrical Code, Part 1 - latest edition, and all local codes and ordinances.

A copy of the above code standards can be obtained from:

Canadian Standards Association
178 Rexdale Blvd.
Toronto, ON M9W 1R3 CANADA

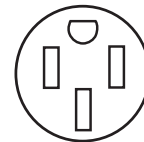
- Check with a qualified electrical installer if you are not sure the range is properly grounded.

Range Rating*		Specified Rating of Power Supply Cord Kit and Circuit Protection
120/240 Volts	120/208 Volts	Amps
8.8 - 16.5 KW	7.8 - 12.5 KW	40 or 50**
16.6 - 22.5 KW	12.6 - 18.5 KW	50

*The NEC calculated load is less than the total connected load listed on the model/serial/rating plate.

**If connecting to a 50 amp circuit, use a 50 amp rated cord with kit. For 50 amp rated cord kits, use kits that specify use with a nominal 1 3/8" (34.9 mm) diameter connection opening.

- A time-delay fuse or circuit breaker is recommended.
- This range is equipped with a CSA International Certified Power Cord intended to be plugged into a standard 14-50R wall receptacle. Be sure the wall receptacle is within reach of range's final location.



- Do not use an extension cord.

INSTALLATION INSTRUCTIONS

Unpack Range

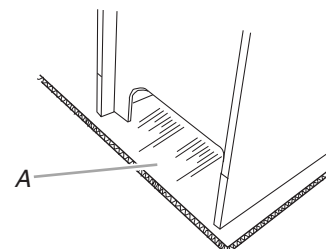
⚠ WARNING

Excessive Weight Hazard

Use two or more people to move and install range.

Failure to do so can result in back or other injury.

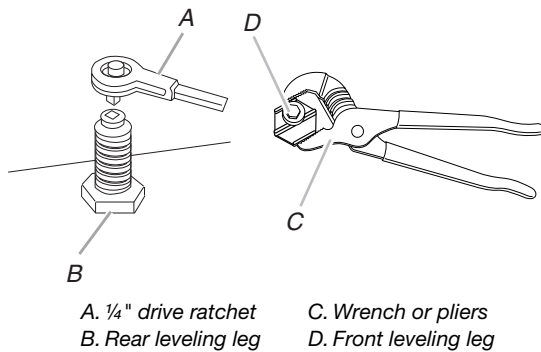
1. Remove shipping materials, tape and film from range.
2. Remove oven racks and parts package from inside oven.
3. Do not remove the shipping base at this time.



A. Shipping base

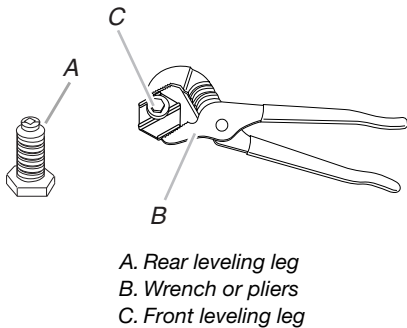
4. On Ranges Equipped with a Storage Drawer:

Remove the storage drawer. See the "Storage Drawer" section. Use a 1/4" drive ratchet to lower the rear leveling legs one-half turn. Use a wrench or pliers to lower front leveling legs one-half turn.



On Ranges Equipped with a Warming Drawer or Premium Storage Drawer:

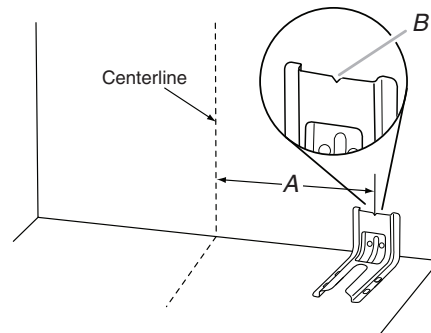
On ranges equipped with a warming drawer or premium storage drawer, the rear leveling legs cannot be accessed by removing the warming drawer or premium storage drawer. It will be necessary to adjust the rear leveling legs from outside the range. Use wrench or pliers to lower the front and rear leveling legs one-half turn.



2. Determine which mounting method to use: floor or wall.

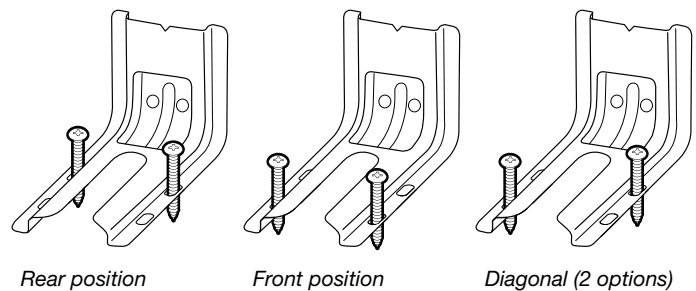
If you have a stone or masonry floor, you can use the wall mounting method. If you are installing the range in a mobile home, you must secure the range to the floor.

3. Determine and mark centerline of the cutout space. The mounting bracket can be installed on either the left-hand side or right-hand side of the cutout. Position mounting bracket against the wall in the cutout so that the V-notch of the bracket is 12 9/16" (31.9 cm) from centerline as shown.

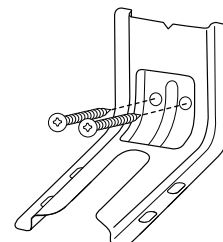


4. Drill two 1/8" (3 mm) holes that correspond to the bracket holes of the determined mounting method. See the following illustrations.

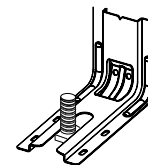
Floor Mounting



Wall Mounting



- Using two #12 x 1 1/4" Phillips-head screws provided, mount anti-tip bracket to the wall or floor.
- Move range close enough to opening to allow for final electrical connections. Remove shipping base, cardboard or hardboard from under range.
- Move range into its final location, making sure rear leveling leg slides into anti-tip bracket.



Install Anti-Tip Bracket

! WARNING



Tip Over Hazard

A child or adult can tip the range and be killed.

Install anti-tip bracket to floor or wall per installation instructions.

Slide range back so rear range foot is engaged in the slot of the anti-tip bracket.

Re-engage anti-tip bracket if range is moved.


Do not operate range without anti-tip bracket installed and engaged.

Failure to follow these instructions can result in death or serious burns to children and adults.

- Remove the anti-tip bracket from where it is taped inside the storage drawer or warming drawer.

8. Move range forward onto shipping base, cardboard or hardboard to continue installing the range using the following installation instructions.

⚠ WARNING



Electrical Shock Hazard

Electrically ground range.

Failure to do so can result in death, fire, or electrical shock.

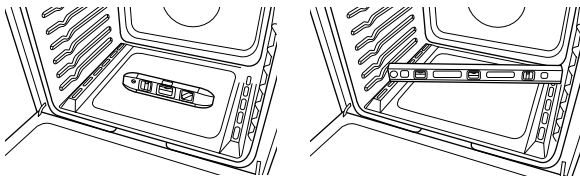
9. Plug power cord into a grounded outlet (see “Electrical Requirements” section).
10. Slide range back so that rear range foot is engaged in the anti-tip bracket slot.

Level Range

Determine if you have AquaLift® Technology or Steam Clean by referring to the “Range Care” section of the User Instructions.

For Ranges with AquaLift® Technology or Steam Clean:

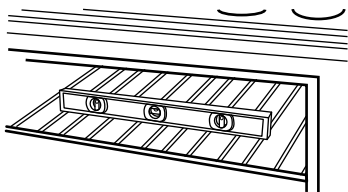
1. Place level on the oven bottom as indicated in one of the two figures below, depending on the size of the level. Check with the level: side to side and front to back.



2. If range is not level, pull range forward until rear leveling leg is removed from the anti-tip bracket.
3. Follow the directions in Style 1 or Style 2, depending on the style of drawer supplied with the range.

For Ranges without AquaLift® Technology or Steam Clean:

1. Place a standard flat rack in oven.
2. Place level on the rack and check levelness of the range, first side to side; then front to back.



3. If range is not level, pull range forward until rear leveling leg is removed from the anti-tip bracket.
4. Follow the directions in Style 1 or Style 2, depending on the style of drawer supplied with the range.

Style 1: Ranges Equipped with a Storage Drawer:

Use a ¼" drive ratchet, wrench or pliers to adjust leveling legs up or down until the range is level. Push range back into position. Check that rear leveling leg is engaged in the anti-tip bracket.

Style 2: Ranges Equipped with a Warming Drawer or Premium Storage Drawer:

Use a wrench or pliers to adjust leveling legs up or down until the range is level. Push range back into position. Check that rear leveling leg is engaged in the anti-tip bracket.

5. **NOTE:** Range must be level for satisfactory baking performance and best cleaning results using AquaLift® Technology and Steam Clean functions.

Verify Anti-Tip Bracket Is Installed and Engaged

On Ranges Equipped with a Storage Drawer:

1. Remove the storage drawer. See “Storage Drawer” section.
2. Use a flashlight to look underneath the bottom of the range.
3. Visually check that the rear range foot is inserted into the slot of the anti-tip bracket.

On Ranges Equipped with a Warming Drawer or Premium Storage Drawer:

1. Place the outside of your foot against the bottom front of the warming drawer or premium storage drawer, and grasp the lower right-hand or left-hand side of the control panel as shown.

NOTE: If your countertop is mounted with a backsplash, it may be necessary to grasp the range higher than is shown in the illustration.



2. Slowly attempt to tilt the range forward. If you encounter immediate resistance, the range foot is engaged in the anti-tip bracket.
3. If the rear of the range lifts more than ½" (1.3 cm) off the floor without resistance, stop tilting the range and lower it gently back to the floor. The range foot is not engaged in the anti-tip bracket.

IMPORTANT: If there is a snapping or popping sound when lifting the range, the range may not be fully engaged in the bracket. Check to see if there are obstructions keeping the range from sliding to the wall or keeping the range foot from sliding into the bracket. Verify that the bracket is held securely in place by the mounting screws.

4. Slide the range forward, and verify that the anti-tip bracket is securely attached to the floor or wall.
5. Slide range back so the rear range foot is inserted into the slot of the anti-tip bracket.

IMPORTANT: If the back of the range is more than 2" (5.1 cm) from the mounting wall, the rear range foot may not engage the bracket. Slide the range forward and determine if there is an obstruction between the range and the mounting wall. If you need assistance or service, refer to the “Assistance or Service” section of the Use and Care Guide, or the cover or “Warranty” section of the User Instructions, for contact information.

- Repeat steps 1 and 2 to ensure that the range foot is engaged in the anti-tip bracket.
If the rear of the range lifts more than ½" (1.3 cm) off the floor without resistance, the anti-tip bracket may not be installed correctly. Do not operate the range without anti-tip bracket installed and engaged. Please reference the "Assistance or Service" section of the Use and Care Guide, or the cover or "Warranty" section of the User Instructions, to contact service.

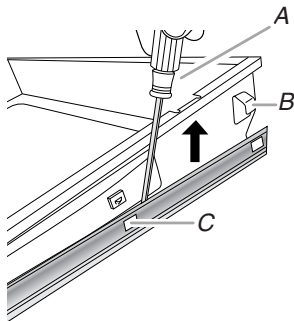
Warming Drawer or Premium Storage Drawer

(on some models)

Remove all items from inside the warming drawer or premium storage drawer, and allow the range to cool completely before attempting to remove the drawer.

To Remove:

- Open the warming drawer or premium storage drawer to its fully open position.
- Using a flat-blade screwdriver, gently loosen the warming drawer or premium storage drawer from the glide alignment notch and lift up the drawer alignment tab from the glide.

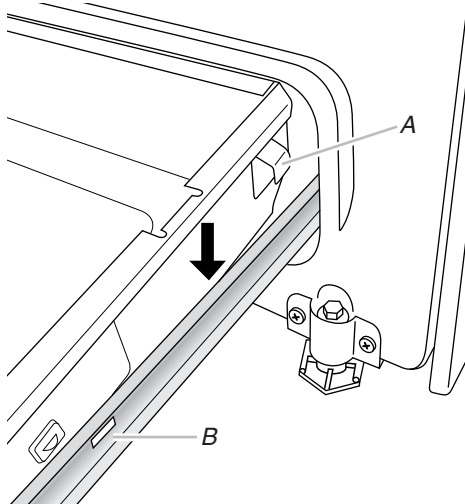


A. Flat-blade screwdriver
B. Drawer alignment tab
C. Drawer glide notch

- Repeat Step 2 on the other side. The warming drawer or premium storage drawer is no longer attached to the drawer glides. Using both hands, pick up the warming drawer or premium storage drawer to complete the removal.

To Replace:

- Align the forward drawer notches with the notches in the drawer glides on both sides. Place the rear alignment tabs into the drawer glides on both sides.



A. Drawer alignment tab
B. Drawer glide notch

- Push the warming drawer or premium storage drawer in all the way.
- Gently open and close the warming drawer or premium storage drawer to ensure it is seated properly on the glides on both sides.

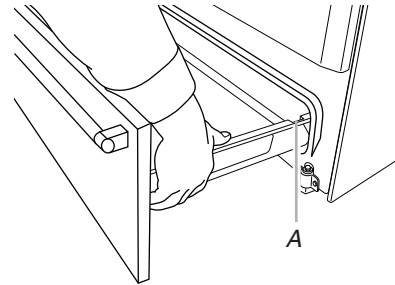
Storage Drawer

(on some models)

The storage drawer can be removed. Before removing, make sure drawer is cool and empty.

To Remove:

- Pull the storage drawer straight back to the drawer stop.

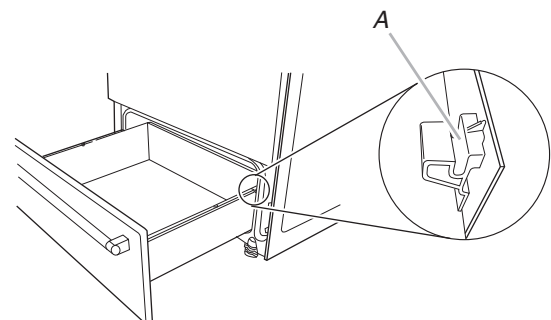


A. Drawer stop notch

- Lift up the front of the drawer and pull the drawer out.

To Replace:

- Lift up the front of the drawer and place the rear of the drawer inside the range so that the drawer stop notch is behind the drawer glide.
- Lower the drawer so that the edge of the slide rail drops into the slot in the drawer glide.
- Slowly push the drawer into the range.



A. Engage drawer glide.

NOTE: When properly installed, the rear slides on the bottom of the drawer will engage the base rails and the drawer will not tip when items are placed in the drawer.

If removing the range is necessary for cleaning or maintenance:

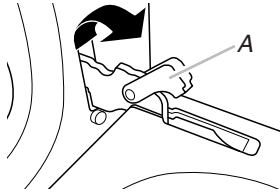
- Slide range forward.
- Unplug the power supply cord.
- Complete cleaning or maintenance.
- Plug in power supply cord.
- Check that the anti-tip bracket is installed and engaged. See the "Verify Anti-Tip Bracket Is Installed and Engaged" section.
- Check that range is level.

Oven Door

For normal range use, it is not suggested to remove the oven door. However, if removal is necessary, make sure the oven is off and cool. Then, follow these instructions. The oven door is heavy.

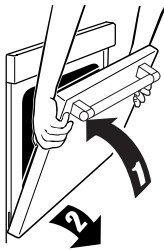
To Remove:

1. Open oven door all the way.
2. Pinch the hinge latch between two fingers and pull forward. Repeat on other side of oven door.



A. Hinge latch

3. Close the oven door as far as it will shut.
4. Lift the oven door while holding both sides.
Continue to push the oven door closed and pull it away from the oven door frame.



To Replace:

1. Insert both hanger arms into the door.



2. Open the oven door.
You should hear a “click” as the door is set into place.
3. Move the hinge levers back to the locked position. Check that the door is free to open and close. If it is not, repeat the removal and installation procedures.

Complete Installation

1. Check that all parts are now installed. If there is an extra part, go back through the steps to see which step was skipped.
2. Check that you have all of your tools.
3. Dispose of/recycle all packaging materials.
4. Check that the range is level. See the “Level Range” section.
5. Use a mild solution of liquid household cleaner and warm water to remove waxy residue caused by shipping material. Dry thoroughly with a soft cloth. For more information, read the “Range Care” section of the Use and Care Guide or User Instructions.
6. Read the “Range Use” section of the Use and Care Guide or User Instructions.
7. Turn on surface burners and oven. See the Use and Care Guide or User Instructions for specific instruction on range operation.

If range does not operate, check the following:

- Household fuse is intact and tight; or circuit breaker has not tripped.
- Range is plugged into a grounded outlet (see the “Electrical Requirements” section).
- Electrical supply is connected.
IMPORTANT: If the range control displays an F9 or F9, E0 error code, the electrical outlet may be miswired. Contact a qualified electrician to verify the electrical supply.
- See “Troubleshooting” in the Use and Care Guide or User Instructions.

When the range has been on for 5 minutes, check for heat. If range is cold, turn off the range and contact a qualified technician.

Moving the Range

⚠ WARNING



Tip Over Hazard

A child or adult can tip the range and be killed.

Install anti-tip bracket to floor or wall per installation instructions.

Slide range back so rear range foot is engaged in the slot of the anti-tip bracket.

Re-engage anti-tip bracket if range is moved.

Do not operate range without anti-tip bracket installed and engaged.

Failure to follow these instructions can result in death or serious burns to children and adults.

If removing the range is necessary for cleaning or maintenance:

1. Slide range forward.
2. Unplug the power supply cord.
3. Complete cleaning or maintenance.
4. Plug in power supply cord.
5. Check that the anti-tip bracket is installed and engaged. See the “Verify Anti-Tip Bracket Is Installed and Engaged” section.
6. Check that range is level.

When moving range, slide range onto cardboard or hardboard to avoid damaging the floor covering.

SÉCURITÉ DE LA CUISINIÈRE

Votre sécurité et celle des autres est très importante.

Nous donnons de nombreux messages de sécurité importants dans ce manuel et sur votre appareil ménager. Assurez-vous de toujours lire tous les messages de sécurité et de vous y conformer.



Voici le symbole d'alerte de sécurité.

Ce symbole d'alerte de sécurité vous signale les dangers potentiels de décès et de blessures graves à vous et à d'autres.

Tous les messages de sécurité suivront le symbole d'alerte de sécurité et le mot "DANGER" ou "AVERTISSEMENT". Ces mots signifient :

⚠ DANGER

Risque possible de décès ou de blessure grave si vous ne suivez pas immédiatement les instructions.

⚠ AVERTISSEMENT

Risque possible de décès ou de blessure grave si vous ne suivez pas les instructions.

Tous les messages de sécurité vous diront quel est le danger potentiel et vous disent comment réduire le risque de blessure et ce qui peut se produire en cas de non-respect des instructions.

⚠ AVERTISSEMENT

Risque de basculement

Un enfant ou une personne adulte peut faire basculer la cuisinière, ce qui peut causer un décès.

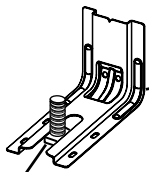
Fixer la bride antibasculement au plancher ou au mur, conformément aux instructions d'installation.

Faire glisser de nouveau la cuisinière de façon à ce que le pied arrière de la cuisinière se trouve dans la fente de la bride antibasculement.

Réengager la bride antibasculement si la cuisinière a été déplacée.

Ne pas faire fonctionner la cuisinière si la bride antibasculement n'est pas installée et engagée.

Le non-respect de ces instructions peut causer un décès ou des brûlures graves aux enfants et aux adultes.



Bride antibasculement

Pied de la cuisinière

Pour vérifier que la bride antibasculement est bien installée et engagée :

- Faire glisser la cuisinière vers l'avant.
- Vérifier que la bride antibasculement est bien fixée au plancher ou au mur.
- Faire de nouveau glisser la cuisinière vers l'arrière de sorte que le pied de la cuisinière se trouve sous la bride antibasculement.
- Voir les instructions d'installation pour plus de détails.

EXIGENCES D'INSTALLATION

Outillage et pièces

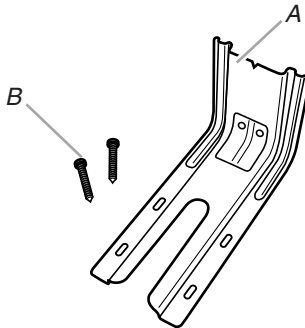
Rassembler les outils et pièces nécessaires avant de commencer l'installation. Lire et suivre les instructions fournies avec les outils indiqués ici.

Outillage nécessaire

- Mètre ruban
- Tournevis à lame plate
- Tournevis Phillips
- Niveau
- Marteau
- Perceuse manuelle ou électrique
- Clé ou pince
- Marqueur ou crayon
- Ruban adhésif de masquage
- Clé à cliquet de ¼"
- Tourne-écrou de ¼"
- Tourne-écrou de ⅜" et ⅝"
- Foret de ⅛" (3,2 mm) (pour planchers de bois)

Pièces fournies

Vérifier la présence de toutes les pièces.



A. Bride antibasculement
B. Vis n° 12 x 1 5/8" (2)

- La bride antibasculement doit être bien fixée au sol ou au mur. L'épaisseur du plancher peut nécessiter des vis plus longues pour l'ancrage de la bride dans le plancher.

Pièces nécessaires

Consulter les codes locaux. Vérifier l'alimentation électrique existante. Voir la section "Spécifications électriques".

Toutes les connexions électriques doivent être effectuées par un électricien qualifié et certifié.

Exigences d'emplacement

IMPORTANT : Observer les dispositions de tous les codes et règlements en vigueur.

- C'est à l'installateur qu'incombe la responsabilité de respecter les distances de séparation exigées, spécifiées sur la plaque signalétique de l'appareil. La plaque signalétique est située sur le châssis du four sur un des côtés du tiroir de remisage ou derrière un des coins supérieurs de la porte du four.
- Afin de supprimer le risque de brûlures ou d'incendie en se penchant au-dessus des unités de surface chauffées, le rangement en armoire au-dessus des unités de surface doit être évité. Si le rangement en armoire est envisagé, le risque peut être réduit par l'installation d'une hotte de cuisine opérant horizontalement sur un minimum de 5" (12,7 cm) au-delà du bas des placards.
- Respecter les dimensions indiquées pour la cavité d'installation entre les placards. Ces dimensions constituent les valeurs minimales des dégagements de séparation.
- La bride antibasculement doit être installée. Pour l'installation de la bride antibasculement expédiée avec la cuisinière, voir la section "Installation de la bride antibasculement".

- Une source d'électricité avec liaison à la terre est nécessaire. Voir la section "Spécifications électriques".

IMPORTANT : Pour éviter tout dommage, consulter le constructeur ou le fabricant du placard pour déterminer si les matériaux utilisés ne subiront pas un changement de couleur, une déstratification ou d'autres dommages. Ce four a été conçu conformément aux exigences UL et aux normes de la CSA International; il respecte la température maximale autorisée pour les placards en bois : 194°F (90°C).

Résidence mobile – Spécifications additionnelles à respecter lors de l'installation

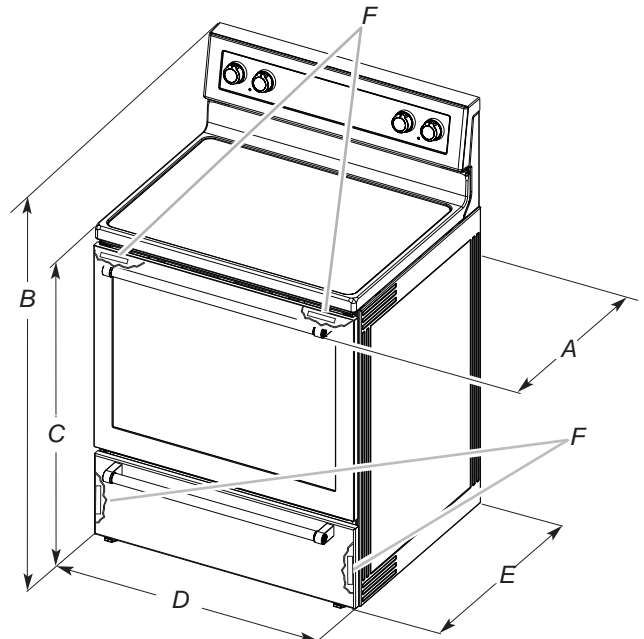
L'installation de cette cuisinière doit être conforme aux dispositions de la norme Manufactured Home Construction and Safety Standard, Title 24 CFR, Part 3280 (anciennement Federal Standard for Mobile Home Construction and Safety, Title 24, HUD Part 280). Lorsque cette norme n'est pas applicable, l'installation doit satisfaire aux critères de la norme Standard for Manufactured Home Installations, ANSI A225.1/NFPA 501A ou aux dispositions des codes locaux.

Au Canada, l'installation de cette cuisinière doit satisfaire aux stipulations de la version la plus récente de la norme CAN/CSA-Z240 ou des codes locaux en vigueur.

Autres critères à respecter pour une installation en résidence mobile :

- Dans le cas de l'installation de cette cuisinière dans une résidence mobile, la cuisinière doit être fixée conformément aux instructions présentées dans ce document.

Dimensions du produit



- A. 27 3/4" (70,5 cm) max. de profondeur avec la poignée
- B. Hauteur hors-tout 47 1/8" (119,7 cm) avec les pieds de nivellement complètement vissés*
- C. Hauteur de la table de cuisson 36" (91,4 cm) avec les pieds de nivellement complètement vissés*
- D. 29 7/8" (75,9 cm) de largeur
- E. 25 5/16" (64,3 cm) - depuis l'arrière de la cuisinière jusqu'à l'avant de la table de cuisson**
- F. Plaque signalétique (située sur le châssis du four sur un des côtés du tiroir de remisage ou derrière un des coins supérieurs de la porte du four)

IMPORTANT : La cuisinière doit être d'aplomb après l'installation. Suivre les instructions de la section "Réglage de l'aplomb de la cuisinière". Il n'est pas recommandé d'utiliser la table de cuisson comme référence pour le nivellement.

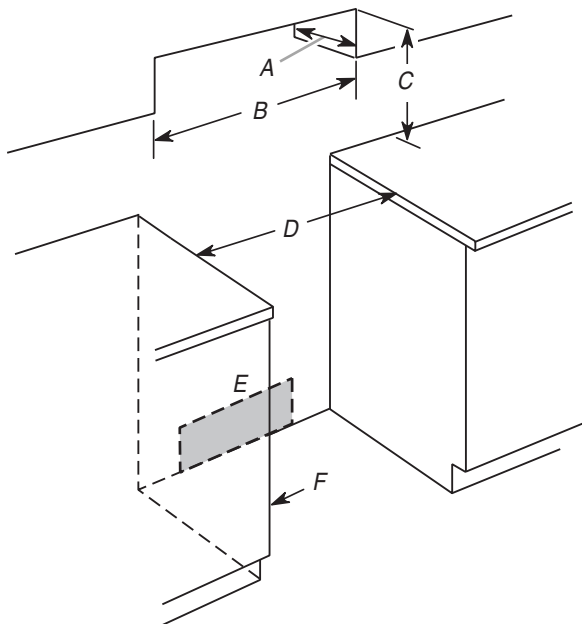
*La cuisinière peut être soulevée d'environ 1" (2,5 cm) en ajustant les pieds de nivellement.

**L'avant de la porte et du tiroir peuvent s'avancer davantage en fonction du style du produit.

Dimensions du placard

Les dimensions de l'espace d'installation entre les placards sont valides pour l'installation entre des placards de 25" (64 cm) de profondeur avec plan de travail de 24" (61 cm) de profondeur à hauteur de 36" (91,4 cm).

IMPORTANT : En cas d'installation d'une hotte ou d'un ensemble hotte/micro-ondes au-dessus de la cuisinière, suivre les instructions fournies avec la hotte concernant les dimensions de dégagement à respecter au-dessus de la surface de la table de cuisson.



- A. Profondeur max. du placard supérieur 13" (33 cm)
- B. Largeur de l'ouverture 30" (76,2 cm) min.
- C. Pour la distance libre minimale vers la partie supérieure de la table de cuisson, voir la REMARQUE*.
- D. Largeur minima le de l'ouverture : 30" (76,2 cm)
- E. Prise de courant - 8" à 22" (20,3 cm à 55,9 cm) depuis l'un des deux placards, 7" (17,8 cm) max. à partir du plancher
- F. Ni la porte, ni les charnières du placard ne doivent dépasser à l'intérieur de l'ouverture

***REMARQUE :** Distance de séparation de 24" (61 cm) ou plus lorsque le fond d'un placard de bois ou de métal est protégé par une planche ignifugée d'au moins ¼" (0,64 cm) recouverte d'une feuille métallique d'épaisseur égale ou supérieure à : acier calibre 28 MSG, acier inoxydable 0,015" (0,4 mm), aluminium 0,024" (0,6 mm), ou cuivre 0,020" (0,5 mm).

Distance de séparation de 30" (76,2 cm) ou plus entre le dessus de la table de cuisson et le fond d'un placard de bois ou de métal non protégé.

Spécifications électriques

⚠️ AVERTISSEMENT



Risque de choc électrique

Relier la cuisinière à la terre.

Le non-respect de cette instruction peut causer un décès, un incendie ou un choc électrique.

Si les codes en vigueur le permettent et qu'un conducteur distinct de liaison à la terre est utilisé, on recommande qu'un électricien qualifié vérifie que la liaison à la terre et la taille du conducteur de liaison à la terre sont adéquates et conformes aux prescriptions des codes locaux.

Vérifier que le raccordement à la source d'électricité et le calibre des conducteurs sont conformes aux prescriptions de la plus récente édition des normes CSA C22.1, partie 1 - Code canadien de l'électricité, et de tout code ou règlement local en vigueur.

On peut obtenir un exemplaire des normes ci-dessus auprès de :

Canadian Standards Association
178 Rexdale Blvd.
Toronto, ON M9W 1R3 CANADA

- En cas de doute quant à la qualité de la liaison à la terre de la cuisinière, consulter un électricien qualifié.

Spécifications électriques pour la cuisinière*

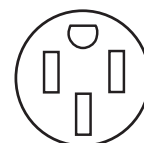
Intensité nominale spécifiée du cordon d'alimentation et de la protection du circuit

120/240 volts	120/208 volts	Ampères
8,8 - 16,5 KW	7,8 - 12,5 KW	40 ou 50**
16,6 - 22,5 KW	12,6 - 18,5 KW	50

*La charge NEC calculée est inférieure à la charge totale connectée indiquée sur la plaque signalétique.

**En cas de raccordement à un circuit de 50 A, utiliser un cordon de 50 A nominaux avec son ensemble. Pour les cordons de 50 A nominaux, utiliser des ensembles qui spécifient une utilisation avec une ouverture pour le raccordement d'un diamètre nominal de 1 3/8" (34,9 mm).

- On recommande l'emploi de fusibles temporisés ou disjoncteurs.
- Cette cuisinière est dotée d'un cordon d'alimentation (homologation CSA International) destiné à être branché sur une prise de courant murale standard 14-50R. Veiller à ce que la prise de courant murale soit placée à portée de la position de service finale de la cuisinière.



- Ne pas utiliser de câble de rallonge.

INSTRUCTIONS D'INSTALLATION

Déballage de la cuisinière

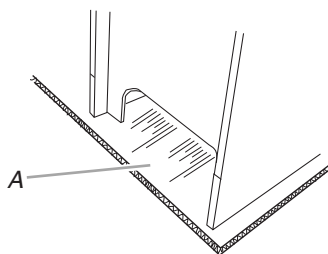
⚠ AVERTISSEMENT

Risque du poids excessif

Utiliser deux ou plus de personnes pour déplacer et installer la cuisinière.

Le non-respect de cette instruction peut causer une blessure au dos ou d'autre blessure.

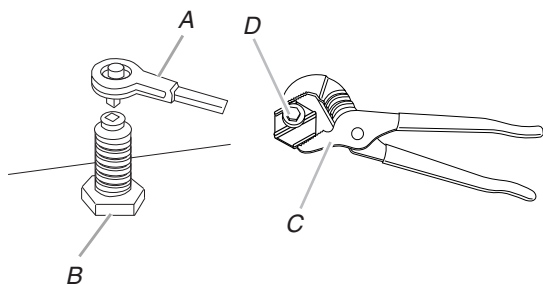
1. Ôter les matériaux d'emballage, le ruban adhésif et le film protecteur de la cuisinière.
2. Retirer les grilles de four et le sachet de pièces de l'intérieur du four.
3. Ne pas enlever la base d'expédition pour l'instant.



A. Base d'expédition

4. Sur les cuisinières équipées d'un tiroir de remisage :

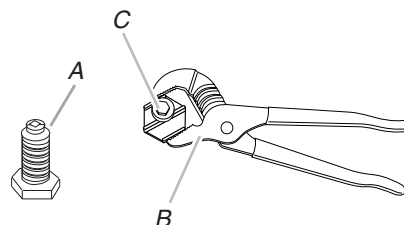
Retirer le tiroir de remisage. Voir la section "Tiroir de remisage". Déployer les pieds de nivellement arrière d'un demi-tour; utiliser une clé à cliquet de 1/4". Déployer les pieds de nivellement avant d'un demi-tour; utiliser une clé ou une pince.



- A. Clé à cliquet de 1/4"
- B. Pied de nivellement arrière
- C. Clé ou pince
- D. Pied de nivellement avant

Sur les cuisinières équipées d'un tiroir-réchaud ou tiroir de remisage de qualité supérieure :

Sur les cuisinières équipées d'un tiroir-réchaud ou d'un tiroir de remisage de qualité supérieure, on ne peut pas accéder aux pieds arrière en retirant le tiroir-réchaud ou tiroir de remisage de qualité supérieure. Les pieds arrière doivent être réglés depuis l'extérieur de la cuisinière. Déployer les pieds de nivellement avant et arrière d'un demi-tour; utiliser une clé ou une pince.



- A. Pied de nivellement arrière
- B. Clé ou pince
- C. Pied de nivellement avant

Installation de la bride antibasculement

⚠ AVERTISSEMENT



Risque de basculement

Un enfant ou une personne adulte peut faire basculer la cuisinière, ce qui peut causer un décès.

Fixer la bride antibasculement au plancher ou au mur, conformément aux instructions d'installation.

Faire glisser de nouveau la cuisinière de façon à ce que le pied arrière de la cuisinière se trouve dans la fente de la bride antibasculement.

Réengager la bride antibasculement si la cuisinière a été déplacée.

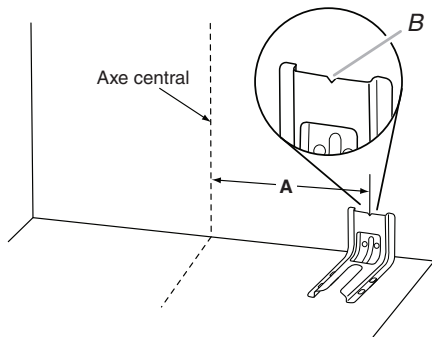
Ne pas faire fonctionner la cuisinière si la bride antibasculement n'est pas installée et engagée.

Le non-respect de ces instructions peut causer un décès ou des brûlures graves aux enfants et aux adultes.

1. Ôter la bride antibasculement fixée par du ruban adhésif à l'intérieur du tiroir de remisage ou du tiroir-réchaud.
2. Déterminer la méthode de montage à utiliser : au plancher ou au mur.

Pour un plancher en pierre ou en briquetage, on peut utiliser la méthode de montage au mur. En cas d'installation de la cuisinière dans une résidence mobile, il est impératif de fixer la cuisinière au sol.

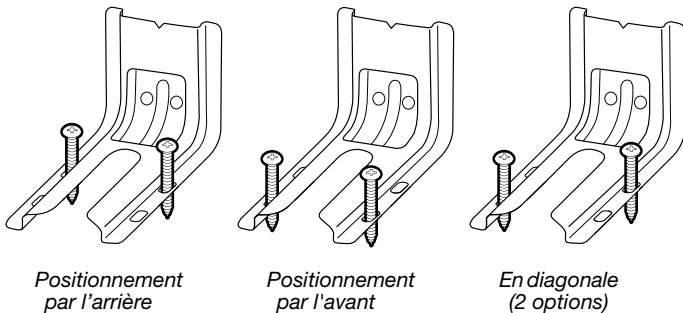
3. Déterminer et marquer l'axe central de l'espace à découper. Le montage peut être effectué du côté gauche ou droit de la découpe. Positionner la bride de montage contre le mur dans l'ouverture à découper de façon à ce que l'encoche en V de la bride se trouve à $12\frac{9}{16}$ " (31,9 cm) de l'axe central, tel qu'illustré.



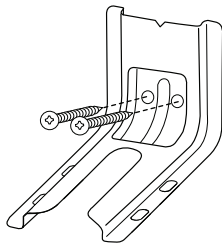
A. $12\frac{9}{16}$ " (31,9 cm)
B. Encoche en V de la bride

4. Percer deux trous de $\frac{1}{8}$ " (3 mm) qui correspondent aux trous de la bride selon la méthode de montage déterminée. Voir les illustrations suivantes.

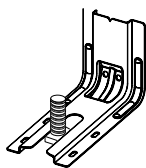
Montage au plancher



Montage mural



5. À l'aide du tournevis Phillips, monter la bride antibasculement sur le mur ou sur le plancher avec les deux vis n° 12 x $1\frac{1}{8}$ " fournies.
6. Rapprocher suffisamment la cuisinière de l'ouverture pour permettre le raccordement final au circuit électrique. Retirer la base d'expédition, le carton ou le panneau de fibres dur de sous la cuisinière.
7. Placer la cuisinière dans son emplacement final en s'assurant que le pied de nivellement arrière glisse dans la bride antibasculement.



8. Déplacer la cuisinière vers l'avant sur la base de sa boîte d'expédition, sur une planche en carton ou en matériau de fibres dur pour poursuivre l'installation de la cuisinière à l'aide des instructions d'installation suivantes.

⚠ AVERTISSEMENT



Risque de choc électrique

Relier la cuisinière à la terre.

Le non-respect de cette instruction peut causer un décès, un incendie ou un choc électrique.

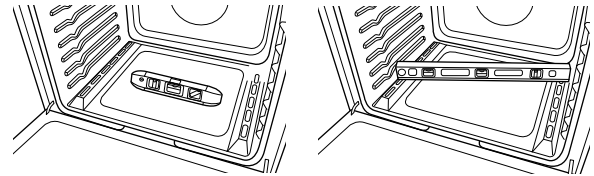
9. Brancher le cordon d'alimentation électrique dans une prise de courant reliée à la terre (voir la section "Spécifications électriques").
10. Faire glisser de nouveau la cuisinière de façon à ce que le pied arrière de la cuisinière se trouve dans la fente de la bride antibasculement.

Réglage de l'aplomb de la cuisinière

Déterminer si vous possédez la technologie AquaLift® ou Steam Clean (nettoyage à la vapeur) en consultant la section "Entretien de la cuisinière" des instructions d'utilisation.

Pour les cuisinières équipées de la technologie AquaLift® ou Steam Clean (nettoyage à la vapeur) :

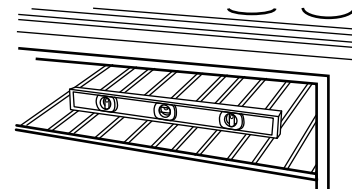
1. En fonction de la taille du niveau, placer le niveau sur le bas du four tel qu'indiqué dans l'une des deux figures ci-dessous. Contrôler l'aplomb transversal et dans le sens avant/arrière.



2. Si la cuisinière n'est pas d'aplomb, la tirer de nouveau pour que le pied de nivellement arrière se dégage de la bride antibasculement.
3. Suivre les instructions fournies pour le style 1 ou 2, en fonction du type de tiroir fourni avec la cuisinière.

Pour les cuisinières dépourvues de la technologie AquaLift® ou Steam Clean (nettoyage à la vapeur) :

1. Placer une grille standard dans le four.
2. Placer un niveau sur la grille et contrôler l'aplomb de la cuisinière, d'abord transversalement, puis dans le sens avant/arrière.



3. Si la cuisinière n'est pas d'aplomb, la tirer de nouveau pour que le pied de nivellement arrière se dégage de la bride antibasculement.
4. Suivre les instructions fournies pour le style 1 ou 2, en fonction du type de tiroir fourni avec la cuisinière.

Style 1 : Sur les cuisinières équipées d'un tiroir de remisage :

Utiliser une clé à cliquet de ¼", une clé ou une pince pour régler les pieds de nivellement vers le haut ou vers le bas jusqu'à ce que la cuisinière soit d'aplomb. Repousser la cuisinière pour la remettre en place. Vérifier que le pied de nivellement arrière est engagé dans la bride antibasculement.

Style 2 : Sur les cuisinières équipées d'un tiroir-réchaud ou d'un tiroir de remisage de qualité supérieure :

Utiliser une clé ou une pince pour régler les pieds de nivellement vers le haut ou vers le bas jusqu'à ce que la cuisinière soit d'aplomb. Repousser la cuisinière pour la remettre en place. Vérifier que le pied de nivellement arrière est engagé dans la bride antibasculement.

5. **REMARQUE :** La cuisinière doit être d'aplomb pour que les résultats de cuisson au four soient satisfaisants et les résultats de nettoyage idéaux avec les fonctions de technologie AquaLift® et Steam Clean (nettoyage à la vapeur).

Vérifier que la bride antibasculement est bien installée et engagée

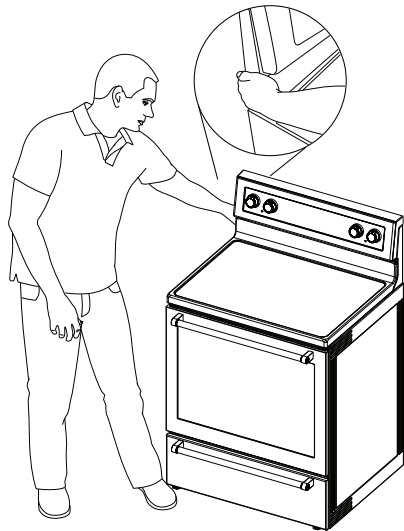
Sur les modèles avec tiroir de remisage :

1. Retirer le tiroir de remisage. Voir la section "Tiroir de remisage".
2. Au moyen d'une torche électrique, inspecter le dessous de la cuisinière.
3. Inspecter la cuisinière pour vérifier que le pied arrière de la cuisinière se trouve dans la fente de la bride antibasculement.

Sur les modèles avec tiroir-réchaud ou tiroir de remisage de qualité supérieure :

1. Placer l'extérieur du pied contre la partie inférieure avant du tiroir-réchaud et saisir le côté inférieur droit ou gauche du tableau de commande tel qu'indiqué.

REMARQUE : Si le plan de travail comporte un dossier, il faudra peut-être saisir la cuisinière plus haut que ce qu'indique l'illustration.



2. Tenter d'incliner la cuisinière vers l'avant avec précaution. Si vous rencontrez une résistance immédiate, cela signifie que le pied de la cuisinière est engagé dans la bride antibasculement.
3. Si l'arrière de la cuisinière se soulève de plus de ½" (1,3 cm) du plancher sans opposer de résistance, cesser d'incliner la cuisinière et la reposer doucement sur le plancher. Le pied de la cuisinière n'est pas engagé dans la bride antibasculement.

IMPORTANT : Si l'on entend un claquement ou un bruit d'éclatement lorsqu'on soulève la cuisinière, cela signifie peut-être que la cuisinière n'est pas bien engagée dans la bride.

Vérifier qu'aucune obstruction n'empêche la cuisinière de glisser vers le mur ou le pied de la cuisinière de glisser dans la bride. Vérifier que la bride est fermement maintenue en place par les vis de montage.

4. Faire glisser la cuisinière vers l'avant et vérifier que la bride antibasculement est bien fixée au plancher ou au mur.
5. Faire glisser de nouveau la cuisinière de façon à ce que le pied arrière de la cuisinière se trouve dans la fente de la bride antibasculement.

IMPORTANT : Si l'arrière de la cuisinière se trouve à plus de 2" (5,1 cm) du mur de montage, cela signifie que la bride n'est peut-être pas engagée dans le pied arrière de la cuisinière. Faire glisser la cuisinière vers l'avant et déterminer si un objet fait obstruction entre la cuisinière et la paroi de montage. Pour assistance ou dépannage, consulter la section "Assistance ou Service" du guide d'utilisation et d'entretien, la couverture ou la section "Garantie" des instructions d'utilisation pour obtenir les coordonnées des personnes à contacter.

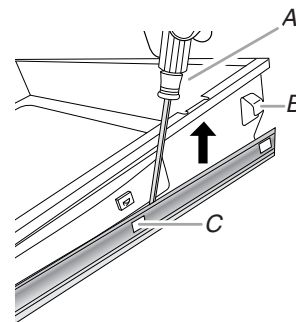
6. Répéter les étapes 1 et 2 pour s'assurer que le pied de la cuisinière est bien engagé dans la bride antibasculement. Si l'arrière de la cuisinière se soulève de plus de ½" (1,3 cm) du plancher sans opposer de résistance, cela peut signifier que la bride antibasculement n'est pas correctement installée. Ne pas faire fonctionner la cuisinière si la bride antibasculement n'est pas installée et engagée. Consulter la section "Assistance ou Service" du guide d'utilisation et d'entretien, la couverture ou la section "Garantie" des instructions d'utilisation pour obtenir les coordonnées des personnes à contacter.

Tiroir-réchaud ou tiroir de remisage de qualité supérieure (sur certains modèles)

Enlever tous les articles de l'intérieur du tiroir-réchaud ou tiroir de remisage de qualité supérieure et laisser la cuisinière refroidir complètement avant d'essayer d'enlever le tiroir.

Dépose :

1. Ouvrir complètement le tiroir-réchaud ou tiroir de remisage de qualité supérieure.
2. À l'aide d'un tournevis à lame plate, desserrer doucement le tiroir-réchaud ou le tiroir de remisage de qualité supérieure pour le dégager de l'encoche d'alignement de glissière et soulever l'onglet d'alignement du tiroir pour le dégager de la glissière.

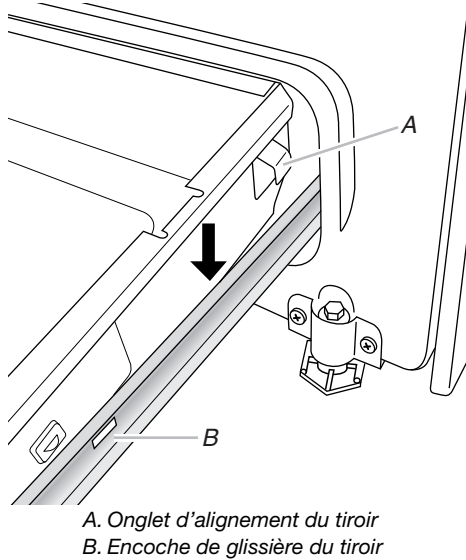


A. Tournevis à lame plate
B. Onglet d'alignement du tiroir
C. Encoche de glissière du tiroir

3. Répéter l'étape 2 pour l'autre côté. Le tiroir-réchaud ou le tiroir de remisage de qualité supérieure n'est plus fixé aux glissières de tiroir. Avec les deux mains, saisir le tiroir-réchaud ou le tiroir de remisage de qualité supérieure pour le retirer complètement.

Réinstallation :

1. Aligner les encoches de l'avant du tiroir avec les encoches des glissières latérales à l'intérieur du tiroir (de chaque côté). Placer les onglets d'alignement arrière dans les glissières de tiroir (de chaque côté).



A. Onglet d'alignement du tiroir
B. Encoche de glissière du tiroir

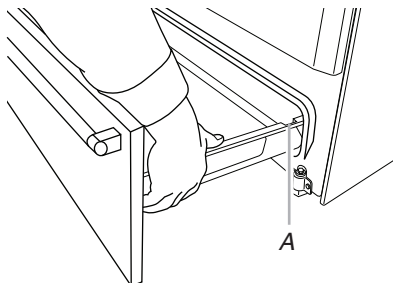
2. Pousser le tiroir-réchaud ou tiroir de remisage de qualité supérieure complètement.
3. Ouvrir et fermer délicatement le tiroir-réchaud ou tiroir de remisage de qualité supérieure pour s'assurer qu'il est bien engagé dans les glissières (de chaque côté).

Tiroir de remisage (sur certains modèles)

Le tiroir de remisage peut être enlevé. Avant de l'enlever, s'assurer que le tiroir est froid et vide.

Dépose :

1. Tirer le tiroir de remisage en ligne droite vers l'arrière jusqu'à la butée du tiroir.



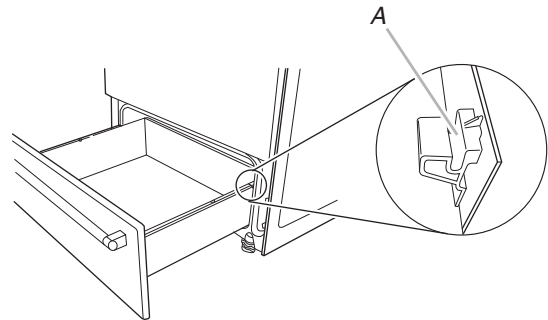
A. Encoche de la butée du tiroir

2. Soulever l'avant du tiroir et retirer ce dernier.

Réinstallation :

1. Soulever l'avant du tiroir et placer l'arrière du tiroir dans la cuisinière de façon à ce que l'encoche de butée du tiroir se trouve derrière la glissière du tiroir.
2. Abaisser le tiroir de façon à ce que le bord de la glissière s'insère dans l'encoche de la glissière de tiroir.

3. Enfoncer lentement le tiroir dans la cuisinière.



A. Engager la glissière du tiroir.

REMARQUE : Lorsque le tiroir est correctement installé, les glissières de la base s'engagent dans les glissières arrière du fond du tiroir et le tiroir lui-même ne s'incline pas lorsqu'on place des objets à l'intérieur.

Si le déplacement de la cuisinière est nécessaire pour le nettoyage ou l'entretien :

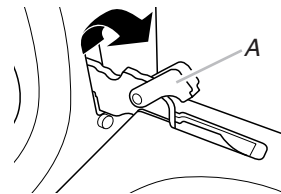
1. Faire glisser la cuisinière vers l'avant.
2. Débrancher le cordon d'alimentation électrique.
3. Effectuer le nettoyage ou l'entretien.
4. Brancher le cordon d'alimentation électrique.
5. Vérifier que la bride antibasculement est bien installée et engagée. Reportez-vous à la section "Vérifier que la bride antibasculement est bien installée et engagée".
6. Vérifier que la cuisinière est d'aplomb.

Porte du four

Il n'est pas recommandé d'enlever la porte du four pour une utilisation normale. Toutefois, si la dépose est nécessaire, s'assurer que le four est éteint et froid. Puis, suivre ces instructions. La porte du four est lourde.

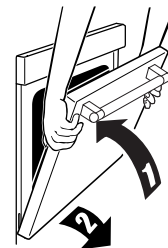
Dépose :

1. Ouvrir la porte du four complètement.
2. Pincer le loquet de charnière entre les deux doigts et tirer vers l'avant. Répéter ces opérations pour l'autre côté de la porte du four.



A. Loquet de charnière

3. Fermer la porte du four aussi loin qu'elle peut aller.
4. Soulever la porte du four en la retenant de chaque côté. Continuer de maintenir la porte du four fermée et la dégager du châssis de la porte du four.



Réinstallation :

1. Insérer les deux bras de suspension dans la porte.



2. Ouvrir la porte du four.
Vous devriez entendre un déclic lors de la mise en place de la porte.
3. Remettre les leviers des charnières à la position verrouillée. Effectuer quelques manœuvres d'ouverture/fermeture de la porte du four pour vérifier le bon fonctionnement. En cas d'impossibilité d'ouverture ou de fermeture parfaite de la porte, répéter le processus de dépose et d'installation de la porte.

Achever l'installation

1. Vérifier que toutes les pièces ont été installées. S'il reste une pièce, étudier en détail les étapes du processus d'installation pour identifier l'étape qui a été omise.
2. Vérifier la présence de tous les outils.
3. Jeter ou recycler tous les matériaux d'emballage.
4. Vérifier que la cuisinière est d'aplomb. Voir "Réglage de l'aplomb de la cuisinière".
5. Pour l'élimination des résidus de cire laissés par les matériaux d'expédition, utiliser une solution d'eau tiède et de produit de nettoyage ménager liquide doux. Sécher complètement avec un chiffon doux. Pour plus de renseignements, voir la section "Entretien de la cuisinière" dans le Guide d'utilisation et d'entretien.
6. Consulter la section "Utilisation de la cuisinière" dans le Guide d'utilisation et d'entretien.
7. Allumer les brûleurs de surface et le four. Consulter le Guide d'utilisation et d'entretien pour des instructions spécifiques sur le fonctionnement de la cuisinière.

Si la cuisinière ne fonctionne pas, contrôler ce qui suit :

- Les fusibles du domicile sont intacts et serrés; le disjoncteur n'est pas déclenché.
- La cuisinière est branchée sur une prise de courant reliée à la terre (voir la section "Spécifications électriques").

- La prise de courant est correctement alimentée.
IMPORTANT : Si le tableau de commande de la cuisinière affiche le code d'erreur F9 ou F9, E0, cela peut signifier que le câblage de la prise électrique est défectueux. Demander à un électricien qualifié d'inspecter le circuit d'alimentation électrique.
- Consulter la section "Dépannage" dans le Guide d'utilisation et d'entretien.

Après 5 minutes de fonctionnement de la cuisinière, vérifier l'échauffement. Si elle est froide, éteindre la cuisinière et contacter un technicien qualifié.

Déplacement de la cuisinière

⚠ AVERTISSEMENT



Risque de basculement

Un enfant ou une personne adulte peut faire basculer la cuisinière, ce qui peut causer un décès.

Fixer la bride antibasculement au plancher ou au mur, conformément aux instructions d'installation.

Faire glisser de nouveau la cuisinière de façon à ce que le pied arrière de la cuisinière se trouve dans la fente de la bride antibasculement.

Réengager la bride antibasculement si la cuisinière a été déplacée.

Ne pas faire fonctionner la cuisinière si la bride antibasculement n'est pas installée et engagée.

Le non-respect de ces instructions peut causer un décès ou des brûlures graves aux enfants et aux adultes.

Lorsqu'on déplace la cuisinière, la faire glisser sur une planche en carton ou en matériau de fibres dur pour éviter d'endommager le revêtement du sol.

Si le déplacement de la cuisinière est nécessaire pour le nettoyage ou l'entretien:

1. Faire glisser la cuisinière vers l'avant.
2. Débrancher le cordon d'alimentation électrique.
3. Effectuer le nettoyage ou l'entretien.
4. Brancher le cordon d'alimentation électrique.
5. Vérifier que la bride antibasculement est bien installée et engagée. Voir la section "Vérifier que la bride antibasculement est bien installée et engagée."
6. Vérifier que la cuisinière est d'aplomb.

Notes

Notes

