



Cutout dimensions – flush to edge of door (mm / inches)

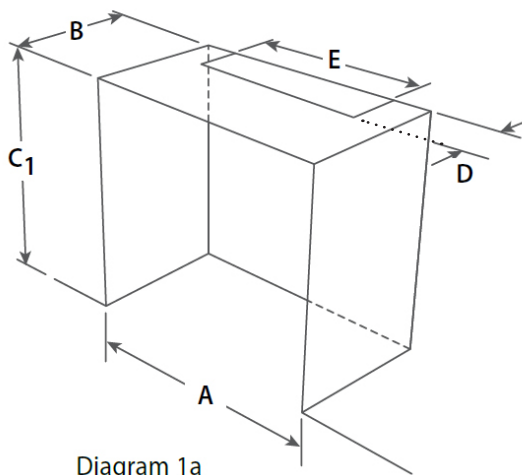


Diagram 1a
Cabinet at floor level

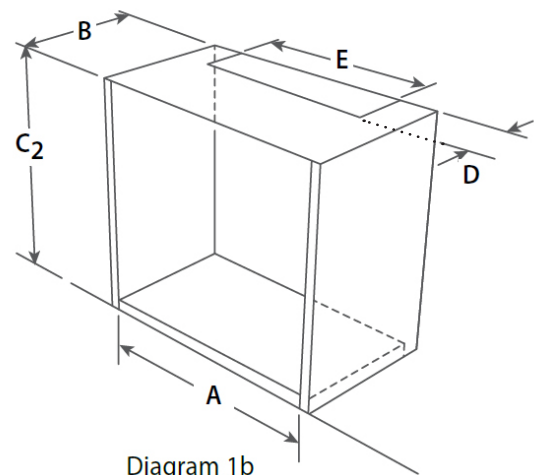


Diagram 1b
Cabinet above toe kick

Installation diagrams for illustration purposes only

Diagram 1

A	width	1467 (57 ³ / ₄ ")
B	depth*	700 (27 ⁵ / ₁₆ ")
C ₁	height**	1790 (70 ¹ / ₂ ")
C ₂	height***	1806 (71 ¹ / ₈ ")

D	air vent depth	200 (8")
E	air vent width	1162 (45 ³ / ₄ ")

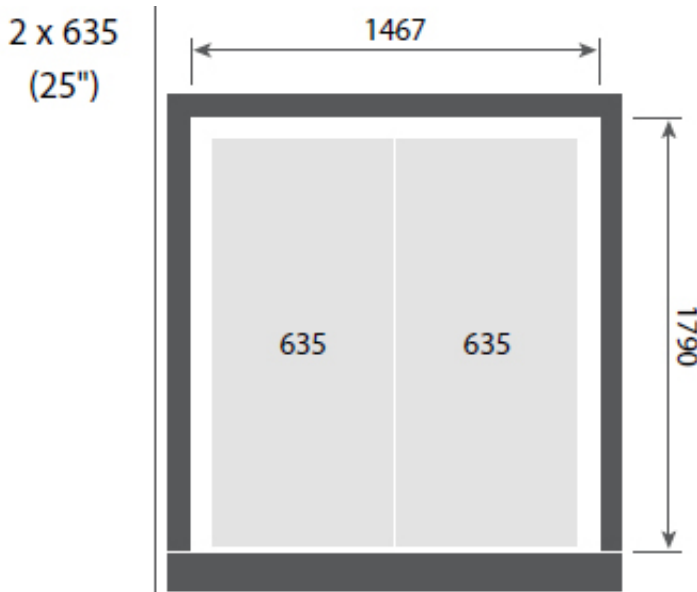
* Depth is a minimum requirement

** Height is without 16mm MDF packer

*** Height is with 16mm MDF packer

N.B. La moulure d'encastrement doit être soutenue dans un module indépendant des cabinets adjacents.

Les renseignements que cette fiche contient sont fondés sur des sources que nous croyons fiables, mais nous ne pouvons les garantir et ils peuvent par ailleurs être incomplets ou changer sans préavis



Cut Out Dimensions		
Width A	Depth B*	Height C**
1467mm	700mm	1790mm
57 ³ / ₄ "	27 ⁹ / ₁₆ "	70 ¹ / ₂ "

* Depth is a minimum requirement

** Height is without 16mm MDF packer

TRIM INSTALLATION

The bottom trim is designed to cover the front edge of the floor base panel of the cabinet. This trim can be installed on a raised toe kick (diagram 1a) or toe kick below the refrigerator (diagram 1b)

Remembering that if this trim is to be used with the refrigerator at floor level the cut out dimensions will need to have 16mm (⁵/₈") added to its height to allow for the bottom trim to be fitted. Note this trim is optional on this type of installation. If used with a raised toe kick the 16mm packer should be part of the base (diagram 5). Therefore 16mm is not required to be added to the height dimension.

1. If used place the 16mm (⁵/₈") piece of plywood or with bottom trim fitted into the cavity (diagram 5 or 6). Note the piece should be the same size as the base of the cavity.

2. Remove protective coating film from surround trim.

3. To install the surrounds, first clip in the top surround. Ensure the locator strips at the rear of the top brackets clip into the rear of the top trim.

4. Clip both side trims into place starting from the front cabinet edge.

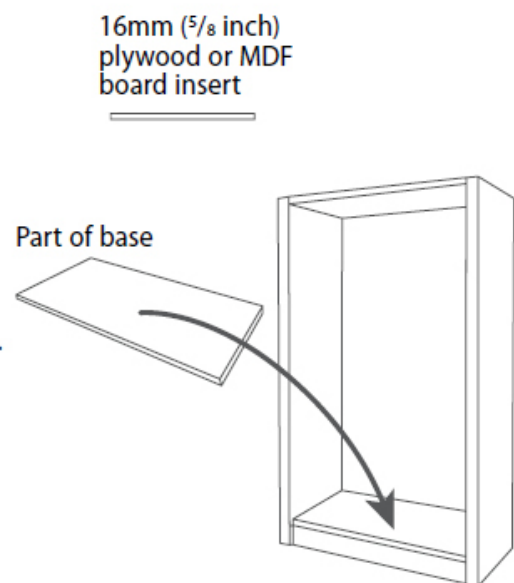


Diagram 5

Fisher & Paykel

#24470

