

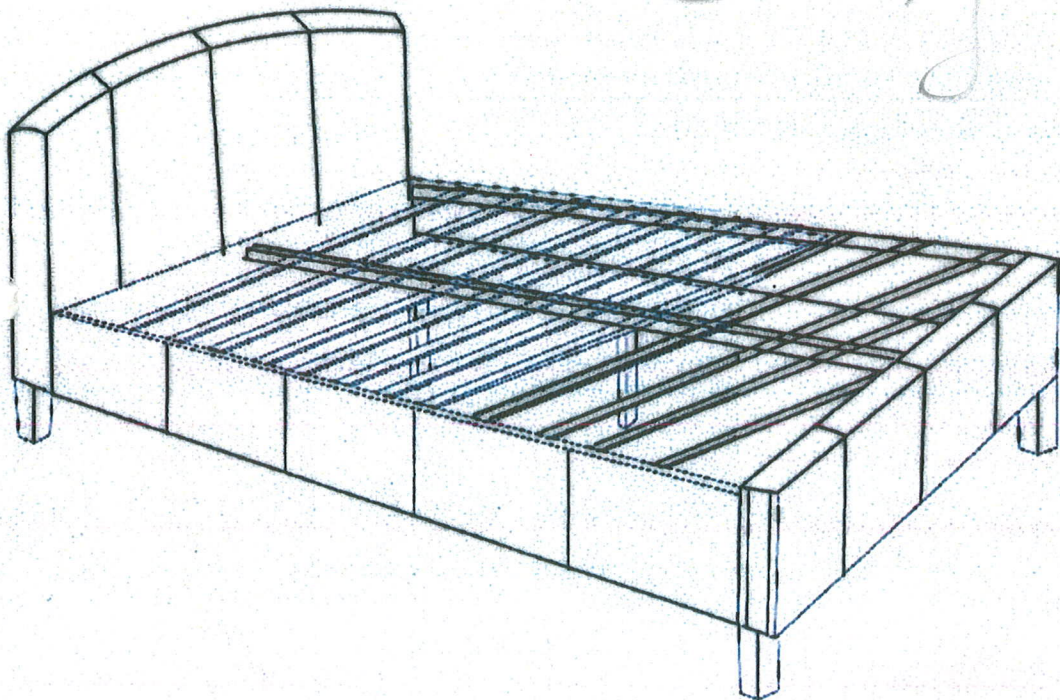
Room 113 Side Rante
Grey.

ASSEMBLY INSTRUCTION

D

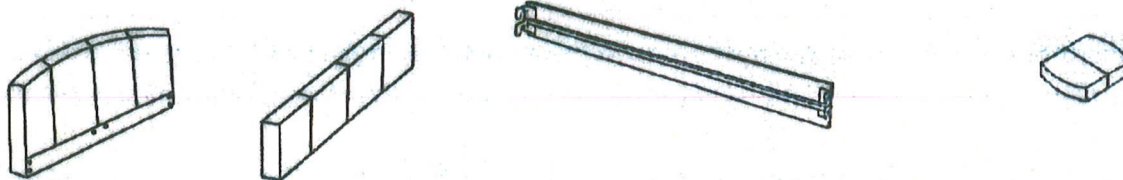
2855

Grey



Part list

- ① Headboard x 1pc ② Footboard x 1pc ③ Side Rail x 2pcs ④ Double Plastic Cap x 12pcs



- ⑤ Centre Support Bar x 1pc ⑥ Support Leg x 2pcs ⑦ Slat x 24pcs



- ⑧ Single Plastic Cap x 24pcs ⑨ Feet x 4pcs



Hardware list

- A Bolt M8*25mm X12pcs B Bolt M8*35mm X4pcs C Nut M8*13mm X4pcs D Spring Washer X 8pcs

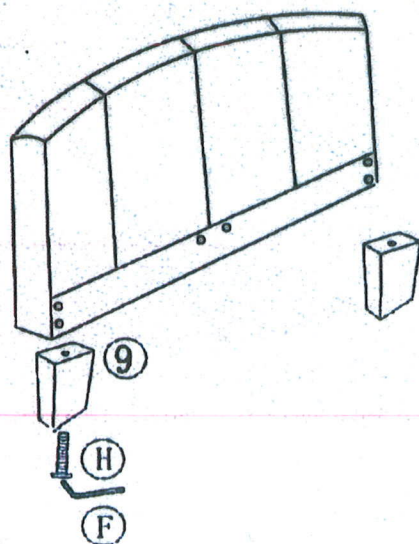


- E Flat Washer X 8pcs F Allen Key M5 X 1pc G Spanner X 1pc H Bolt M8*50mm X 4pcs

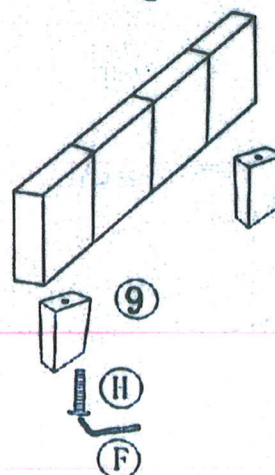


STEP 1 FIXING THE FEET TO THE HEADBOARD AND FOOTBOARD

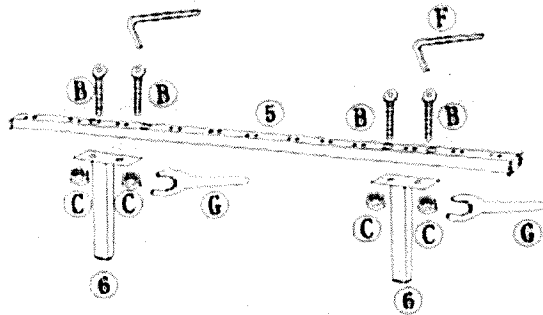
①



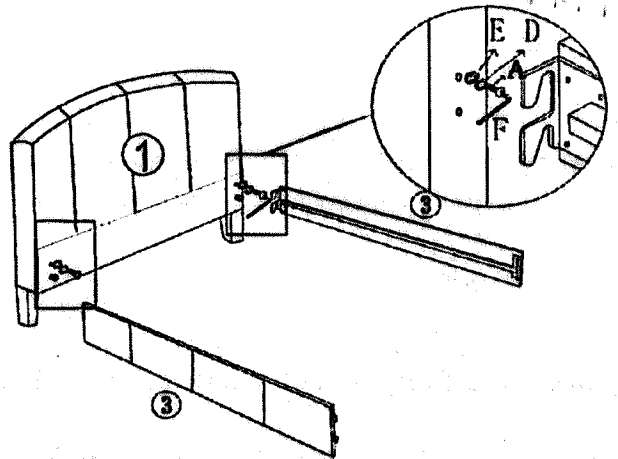
②



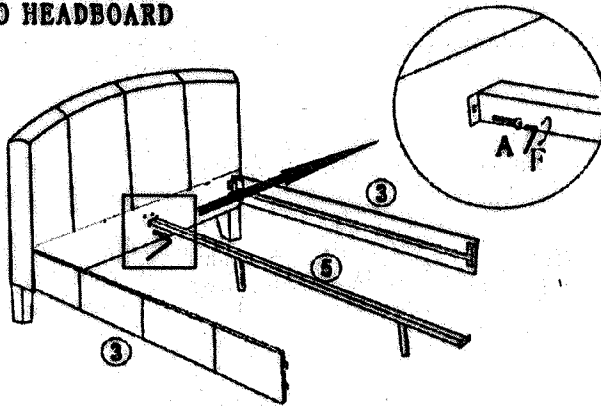
STEP 2 FIXING SUPPORT LEGS TO CENTRE SUPPORT BAR



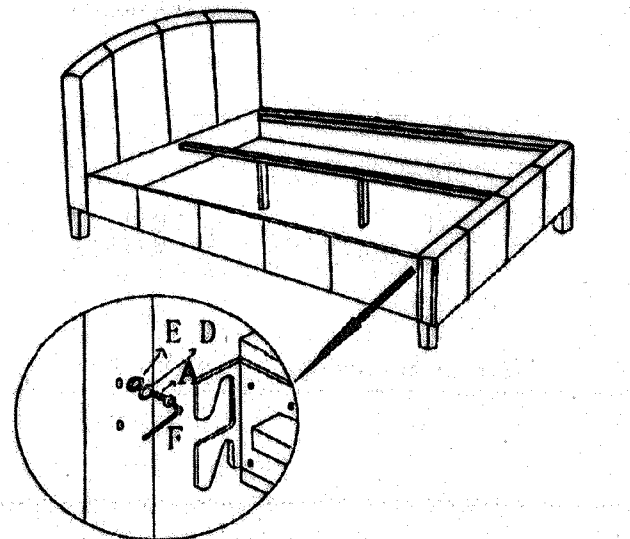
STEP 3 FIXING SIDE RAILS TO HEADBOARD



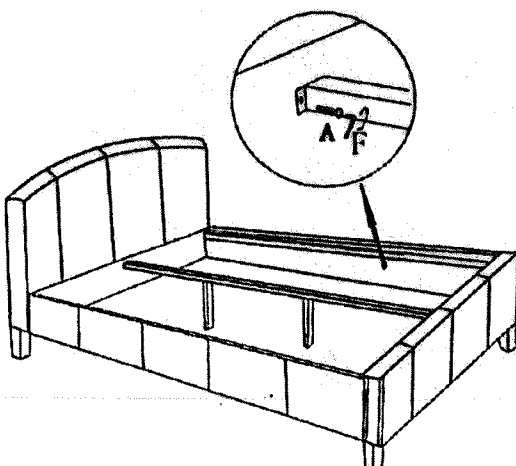
STEP 4 FIXING CENTRE SUPPORT BAR TO HEADBOARD



STEP 5 FIXING SIDE RAILS TO FOOTBOARD



STEP 6 FIXING CENTRE SUPPORT BAR TO FOOTBOARD



STEP 7 FIXING PLASTIC CAPS AND SLATS.

