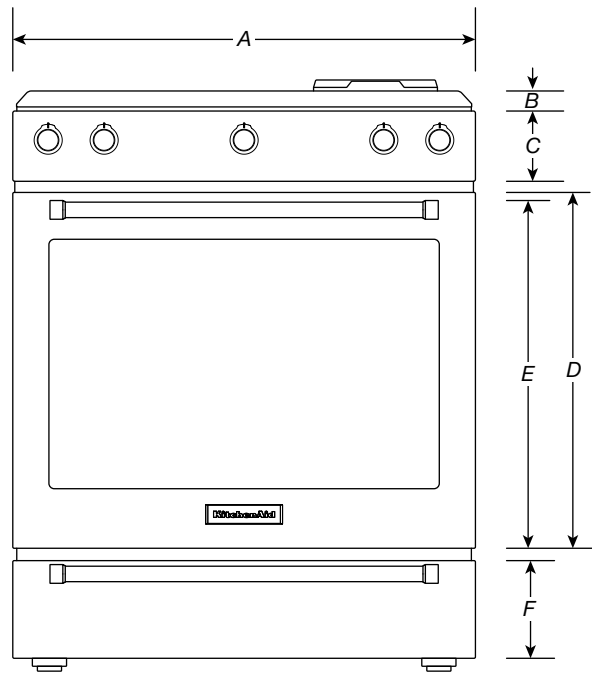


DIMENSIONS

FRONT-CONTROL FREE-STANDING RANGES

PRODUCT DIMENSIONS

MODEL#	30" (76.2 cm) Slide-in Gas Range KSGG700E	
Unit of Measurement	in	cm
Overall Width (A)	29 ⁷ / ₈	75.9
Grates Height (B)	2 ³ / ₁₆	5.6
Control Panel Height (C)	5 ⁵ / ₁₆	13.5
Door Height (D)	20 ¹¹ / ₁₆	52.6
Door Bottom to Handle Top (E)	20	50.8
Drawer Height (F)	5 ¹ / ₂	14



FRONT VIEW

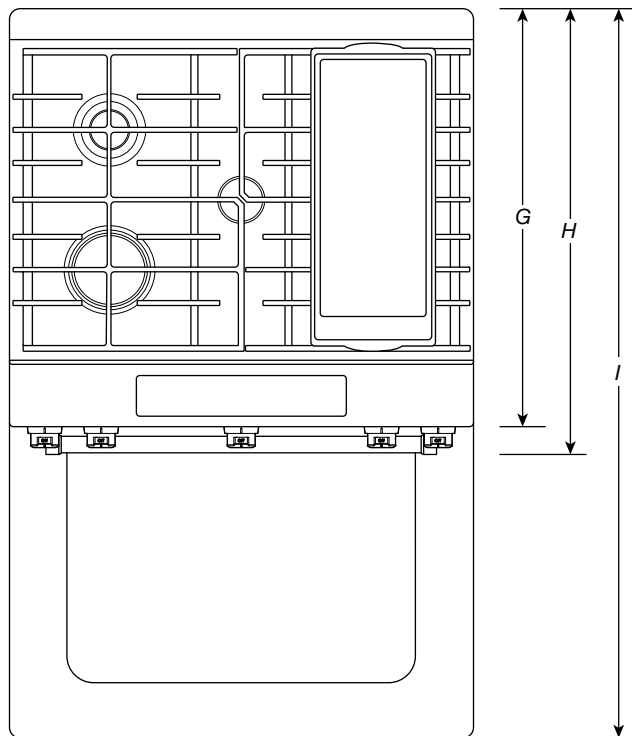
IMPORTANT: Dimensional specifications are provided for planning purposes only. Do not make any cutouts based on this information. Refer to the Installation Guide before selecting cabinetry, verifying electrical/gas connections, making cutouts or beginning installation. All KitchenAid® appliances are appropriately UL, CUL or CSA approved.

DIMENSIONS

FRONT-CONTROL FREE-STANDING RANGES

PRODUCT DIMENSIONS

MODEL #	30" (76.2 cm) Slide-in Gas Range KSGG700E	
Unit of Measurement	in	cm
Depth with Control Panel Overhang (G)	27 ³ / ₄	70.5
Depth with Handle (H)	30 ¹ / ₄	76.9
Depth with Door Fully Open (I)	46 ¹ / ₂	118.1



TOP VIEW

IMPORTANT: Dimensional specifications are provided for planning purposes only. Do not make any cutouts based on this information. Refer to the Installation Guide before selecting cabinetry, verifying electrical/gas connections, making cutouts or beginning installation. All KitchenAid® appliances are appropriately UL, CUL or CSA approved.

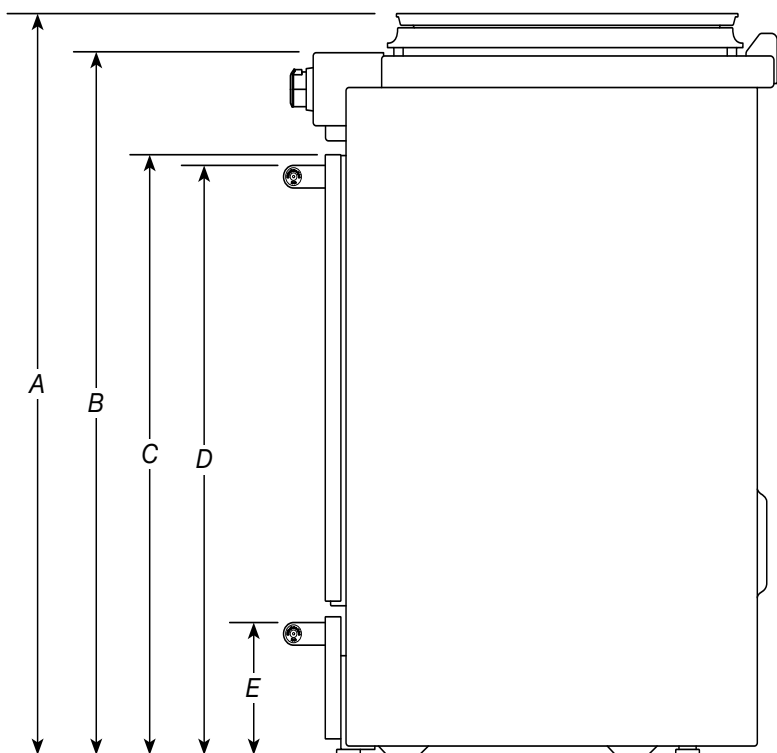
DIMENSIONS

FRONT-CONTROL FREE-STANDING RANGES

PRODUCT DIMENSIONS

MODEL #	30" (76.2 cm) Slide-in Gas Range KSGG700E	
Unit of Measurement	in	cm
Griddle Top Height (A)	37 ⁹ / ₁₆	94.5
Cooking Surface Top Height (B)	36	91.4
Door Top Height (C)	27 ⁷ / ₈	70.8
Handle Top Height (D)	27 ¹ / ₈	68.9
Drawer Height (E)	6 ⁵ / ₈	16.9
OTHER DIMENSIONS		
Maximum Feet Extension Height*	1 ¹ / ₂	3.8

* **IMPORTANT:** Minimum height dimensions are at the lowest point of the height adjustment range. When the leveling legs are fully extended, all heights have 1¹/₂" (3.8 cm) of added height.



SIDE VIEW

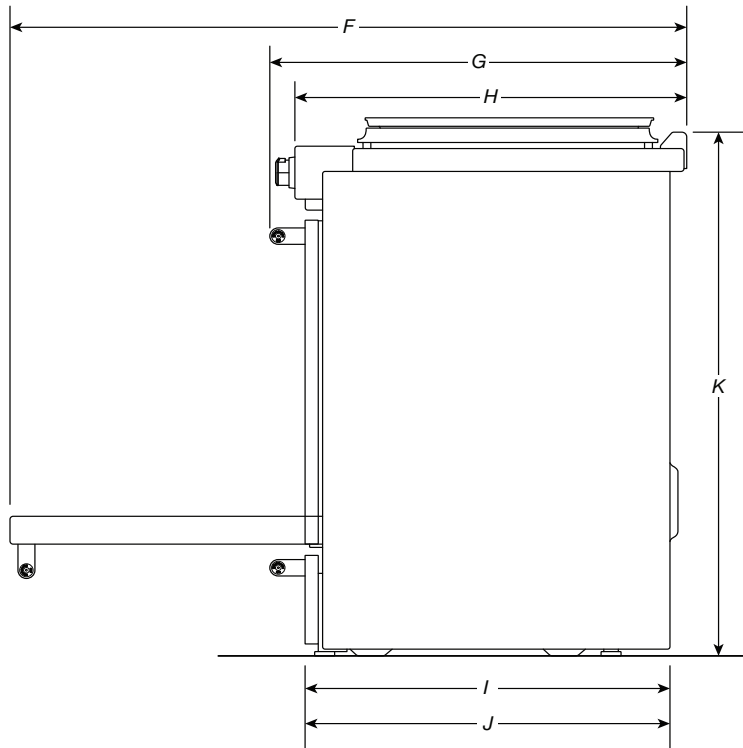
IMPORTANT: Dimensional specifications are provided for planning purposes only. Do not make any cutouts based on this information. Refer to the Installation Guide before selecting cabinetry, verifying electrical/gas connections, making cutouts or beginning installation. All KitchenAid® appliances are appropriately UL, CUL or CSA approved.

DIMENSIONS

FRONT-CONTROL FREE-STANDING RANGES

PRODUCT DIMENSIONS

MODEL #	30" (76.2 cm) Slide-in Gas Range KSGG700E	
Unit of Measurement	in	cm
Depth with Door Fully Open (F)	46½	118.1
Depth with Handle (G)	30¼	76.9
Depth with Control Panel Overhang (H)	27¾	70.5
Depth to Drawer with Door (I)	27	68.6
Depth with Door (J)	27	68.6
Gas Vent Height (K)	39	99.1



SIDE VIEW

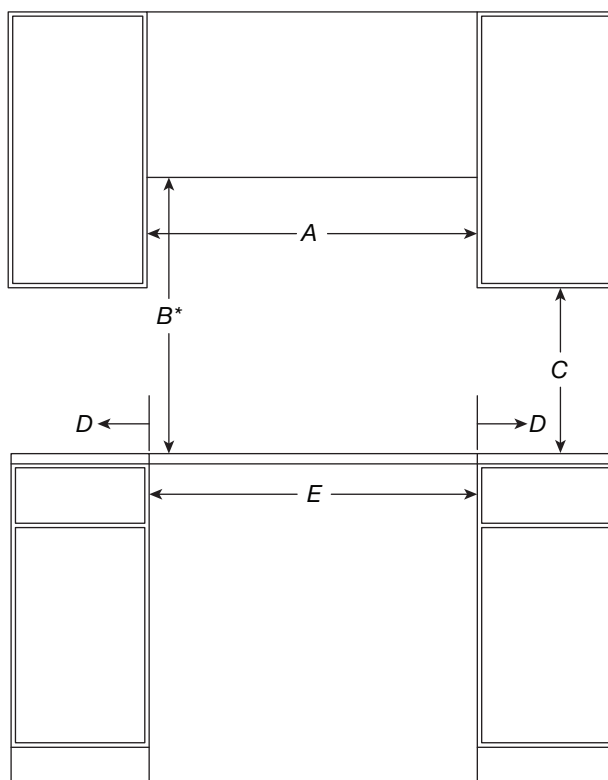
IMPORTANT: Dimensional specifications are provided for planning purposes only. Do not make any cutouts based on this information. Refer to the Installation Guide before selecting cabinetry, verifying electrical/gas connections, making cutouts or beginning installation. All KitchenAid® appliances are appropriately UL, CUL or CSA approved.

FRONT-CONTROL FREE-STANDING RANGES

OPENING/CLEARANCE DIMENSIONS

MODEL #	30" (76.2 cm) Slide-in Gas Range KSGG700E	
Unit of Measurement	in	cm
Combustible Area above Cooking Surface Width (min.) (A)	30	76.2
Bottom of Cabinet Height above Cooking Surface (min.) (B)*	30	76.2
Bottom of Cabinet Height above Countertop (min.) (C)	18	45.7
Distance to Fixed Wall or Combustible Material (min.) (D)	5	12.7
Opening Width (min.) (E)	30	76.2

* If installing a hood or hood liner above the range, follow the hood or hood liner instructions for dimensional clearances above the cooking surface.



FRONT VIEW

IMPORTANT: Dimensional specifications are provided for planning purposes only. Do not make any cutouts based on this information. Refer to the Installation Guide before selecting cabinetry, verifying electrical/gas connections, making cutouts or beginning installation. All KitchenAid® appliances are appropriately UL, CUL or CSA approved.

DIMENSIONS

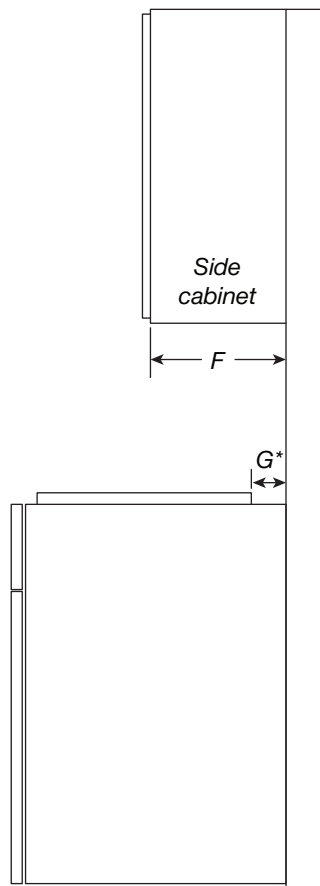
FRONT-CONTROL FREE-STANDING RANGES

OPENING/CLEARANCE DIMENSIONS

MODEL #	30" (76.2 cm) Slide-in Gas Range KSGG700E	
Unit of Measurement	in	cm
Upper Cabinet Depth (max.) (F)	13	33
Depth from Wall to Grates (G)*	1 1/2	3.9
Depth from Wall to back of Unit**	0	0

* If the back wall is constructed of a combustible material and a backsplash is not installed a 7 1/2" (19.1 cm) minimum clearance is required.

** If the back wall is constructed of a combustible material and a backsplash is not installed a 6" (15.2 cm) minimum clearance is required.



SIDE VIEW

IMPORTANT: Dimensional specifications are provided for planning purposes only. Do not make any cutouts based on this information. Refer to the Installation Guide before selecting cabinetry, verifying electrical/gas connections, making cutouts or beginning installation. All KitchenAid® appliances are appropriately UL, CUL or CSA approved.

DIMENSIONS

FRONT-CONTROL FREE-STANDING RANGES

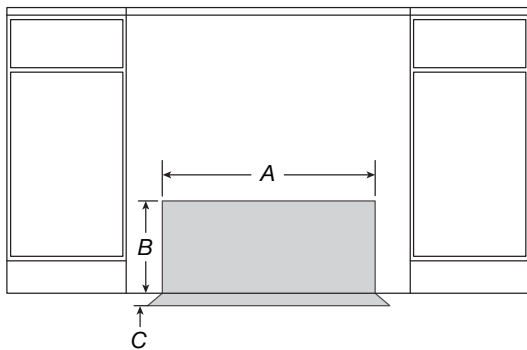
ELECTRICAL REQUIREMENTS

MODEL #	30" (76.2 cm) Slide-in Gas Range KSGG700E	
Unit of Measurement	in	cm
Electrical Zone Width (A)	13 ¹ / ₈	33.3
Electrical Zone Height (B)	7 ¹¹ / ₁₆	19.5
Electrical Zone Depth (C)	5 ¹⁵ / ₁₆	15.1

ELECTRIC REQUIREMENTS CHECKLIST

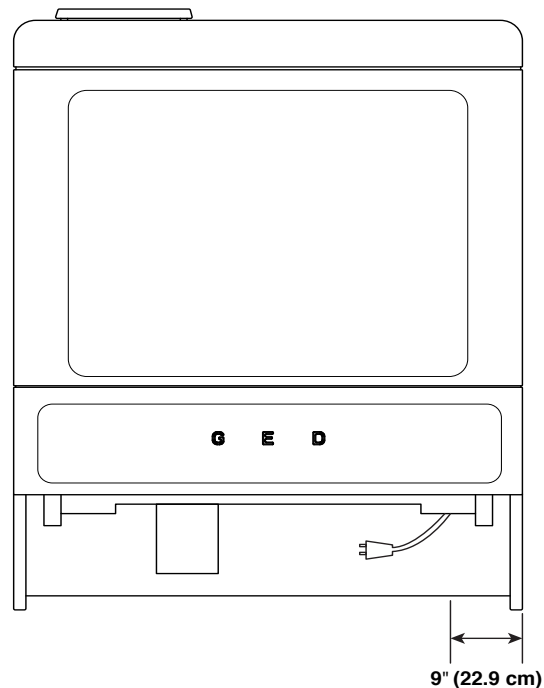
- A 120 V, 60 Hz, fused, grounded circuit is required.
- For 30" (76.2 cm) ranges, use a 15 A circuit.
- A dedicated circuit is recommended.

RECOMMENDED ELECTRICAL ZONE



FRONT VIEW

WIDTH TO ELECTRICAL CONDUIT



BACK VIEW

NOTE: If you have questions about your electrical supply, call a licenced, qualified electrician.

IMPORTANT: Dimensional specifications are provided for planning purposes only. Do not make any cutouts based on this information. Refer to the Installation Guide before selecting cabinetry, verifying electrical/gas connections, making cutouts or beginning installation. All KitchenAid® appliances are appropriately UL, CUL or CSA approved.

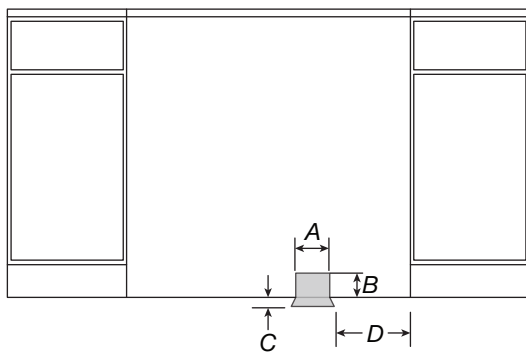
DIMENSIONS

FRONT-CONTROL FREE-STANDING RANGES

GAS REQUIREMENTS

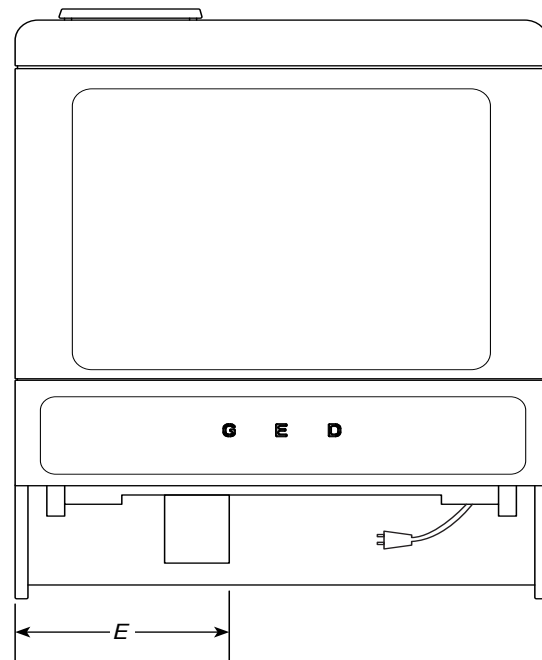
MODEL #	30" (76.2 cm) Slide-in Gas Range KSGG700E	
Unit of Measurement	in	cm
Gas Opening Width (A)	6	15.2
Gas Opening Height (B)	3	7.6
Gas Opening Depth (C)	5	12.7
Distance from Side Cabinet to Gas Opening (D)	9	22.9
Width to Gas Inlet (E)	12 ³ / ₄	32.4

RECOMMENDED GAS ZONE



FRONT VIEW

WIDTH TO GAS INLET



BACK VIEW

NOTE: If you have questions about your gas supply, call a licenced, qualified service technician.

IMPORTANT: Dimensional specifications are provided for planning purposes only. Do not make any cutouts based on this information. Refer to the Installation Guide before selecting cabinetry, verifying electrical/gas connections, making cutouts or beginning installation. All KitchenAid® appliances are appropriately UL, CUL or CSA approved.