

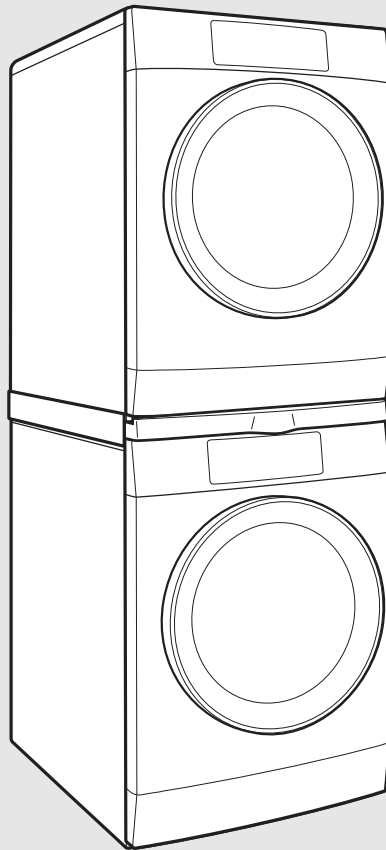


Installation Instructions Instrucciones de instalación Instructions d'installation

Stack Kit

Juego para lavadora y secadora

Ensemble superposé



Kit Number W10882520
Número de juego W10882520
Ensemble numéro W10882520

For use only with front-load washers and dryers
Para uso sólo con lavadoras y secadoras de carga frontal
Pour utilisation avec laveuses et sécheuses à chargement
par l'avant seulement

If you have any problems or questions, visit us at www.whirlpool.com
Si tiene cualquier problema o duda, visítenos en www.whirlpool.com
Pour tout problème ou toute question, consulter www.whirlpool.ca

Table of Contents

STACK KIT SAFETY	2
INSTALLATION REQUIREMENTS	2
Tools and Parts	2
Location Requirements.....	3
Uninstall Washer and Dryer	4
If Your Washer or Dryer is Still in Its Packaging.....	4
INSTALLATION INSTRUCTIONS	4
To Use Stacking Shelf and Hanging Rack	6

Índice

SEGURIDAD DEL JUEGO PARA LAVADORA Y SECADORA SUPERPUSTAS	7
REQUISITOS DE INSTALACIÓN	7
Herramientas y piezas	7
Requisitos de ubicación	8
Como desinstalar la lavadora y la secadora	9
Si su lavadora o secadora está aún en su empaque	9
INSTRUCCIONES DE INSTALACIÓN	9
Uso del estante para apilar y el colgador	11

Table des matières

SÉCURITÉ DE L'ENSEMBLE SUPERPOSÉ	12
EXIGENCES D'INSTALLATION	12
Outillage et pièces	12
Exigences d'emplacement	13
Désinstallation de la laveuse et de la sécheuse.....	14
Si la laveuse ou la sécheuse est encore dans son emballage..	14
INSTRUCTIONS D'INSTALLATION	14
Pour utiliser la tablette d'empilage et la tringle de suspension.....	16

STACK KIT SAFETY

Your safety and the safety of others are very important.

We have provided many important safety messages in this manual and on your appliance. Always read and obey all safety messages.



This is the safety alert symbol.

This symbol alerts you to potential hazards that can kill or hurt you and others.

All safety messages will follow the safety alert symbol and either the word "DANGER" or "WARNING."

These words mean:

⚠ DANGER

You can be killed or seriously injured if you don't immediately follow instructions.

⚠ WARNING

You can be killed or seriously injured if you don't follow instructions.

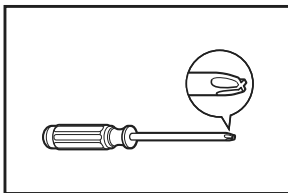
All safety messages will tell you what the potential hazard is, tell you how to reduce the chance of injury, and tell you what can happen if the instructions are not followed.

INSTALLATION REQUIREMENTS

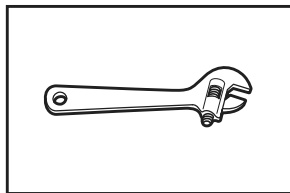
TOOLS AND PARTS

Gather the required tools and parts before starting installation.

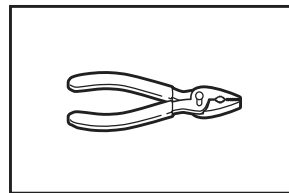
Tools needed:



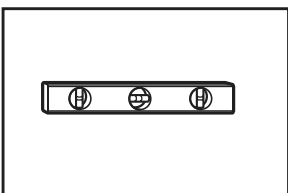
Phillips screwdriver



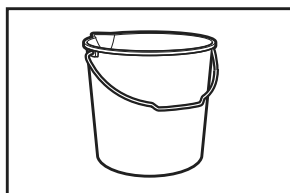
Adjustable wrench that opens to 1" (25 mm)



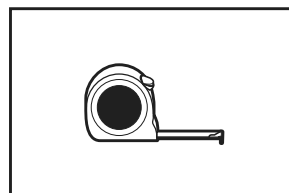
Pliers or slip-joint pliers (for drain and inlet hoses)



Level

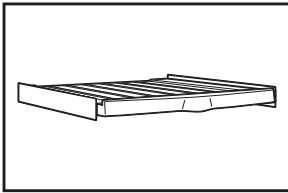


Bucket

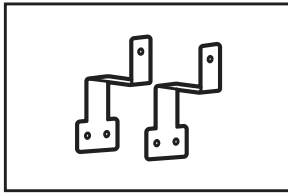


Tape measure

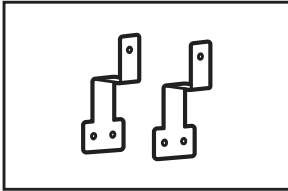
Parts supplied:



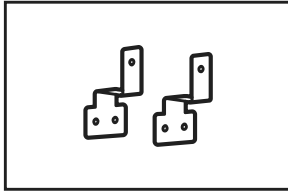
Stacking platform (1)



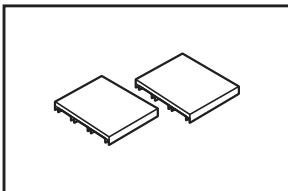
Lower brackets for 24" (620 mm) deep models (Marked A) (2)



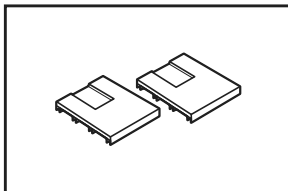
Lower brackets for 22" (550 mm) deep models (Marked B) (2)



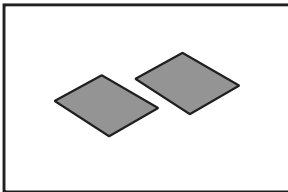
Upper brackets (Marked C) (2)



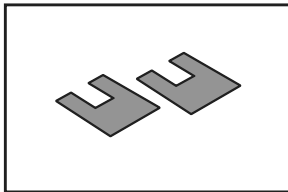
Plastic pads (2)



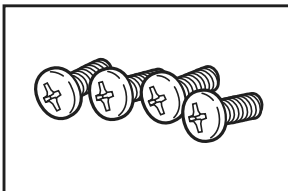
Plastic pads (2)



Rubber pads (2)



Rubber pads (2)

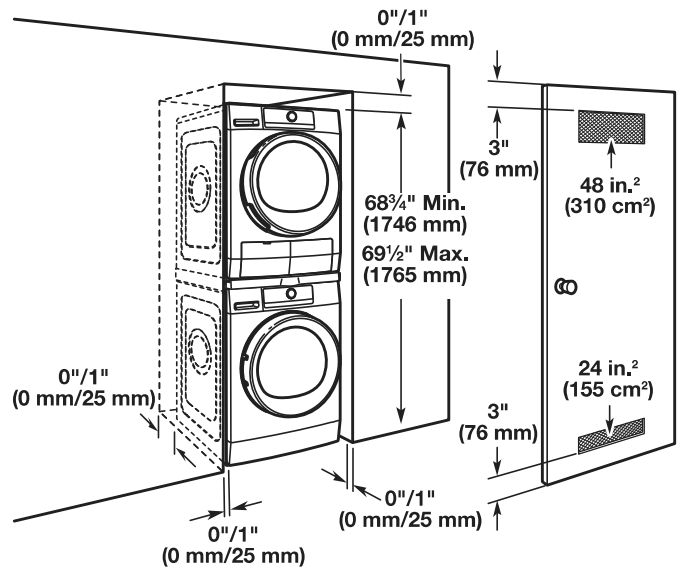


Pan-head screws (4)

LOCATION REQUIREMENTS

Recessed Area and Closet Installation Instructions

IMPORTANT: The stacked washer/dryer can be installed in an enclosure. Check the locations of the water supply faucets and grounded electrical outlets. Depending on your application, washer fill hoses longer than those supplied with the washer/dryer may be needed.



If the water supply faucets, electrical outlets, or power cord need modification, have a qualified plumber or electrician make the changes.

UNINSTALL WASHER AND DRYER

IMPORTANT: If your washer and dryer are already installed, they must be uninstalled.

If you need to uninstall your washer or dryer, see the Installation Instructions that came with your model for tools required.

! WARNING

Excessive Weight Hazard

**Use two or more people to move washer or dryer.
Failure to do so can result in back or other injury.**

Uninstalling Your Washer

1. Turn off the water faucet(s).
2. Unplug the power supply cord.
3. Slowly loosen the fill hose(s) at the faucet(s) to relieve the water pressure. Use a sponge or towel to absorb the released water.
4. Remove the fill hose(s) from the back of the washer. Drain water in the hose(s) into a bucket.
5. Remove the drain hose from the wall/floor drain pipe or utility sink and drain any water in the hose into a bucket.

Uninstalling Your Dryer

1. Disconnect the power supply.
2. Remove the drain hose from the floor drain pipe or utility sink and drain any water in the hose into a bucket.

IF YOUR WASHER OR DRYER IS STILL IN ITS PACKAGING

! WARNING

Excessive Weight Hazard

**Use two or more people to move washer or dryer.
Failure to do so can result in back or other injury.**

Position the packaged washer or dryer close to its final position. Cut the packaging as follows:

- Washer: Cut plastic film along dotted cut line around the base. Remove the packaging. Do not remove the shipping bolts.
- Dryer: Cut around top and down corners along dotted cut lines. Discard carton top, corner posts and sides. Leave carton bottom underneath dryer.

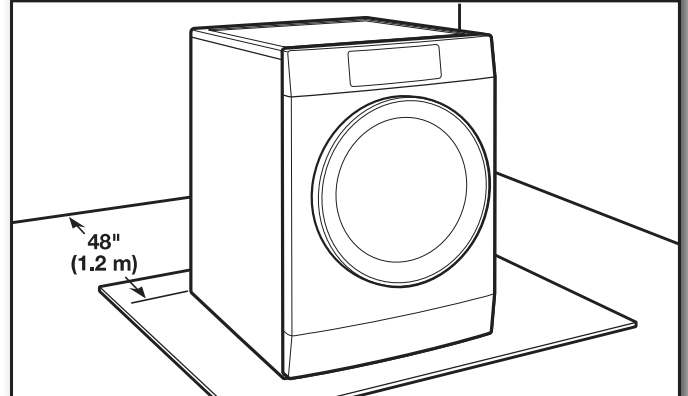
INSTALLATION INSTRUCTIONS

! WARNING

Excessive Weight Hazard

**Use two or more people to move washer or dryer.
Failure to do so can result in back or other injury.**

1. Move washer

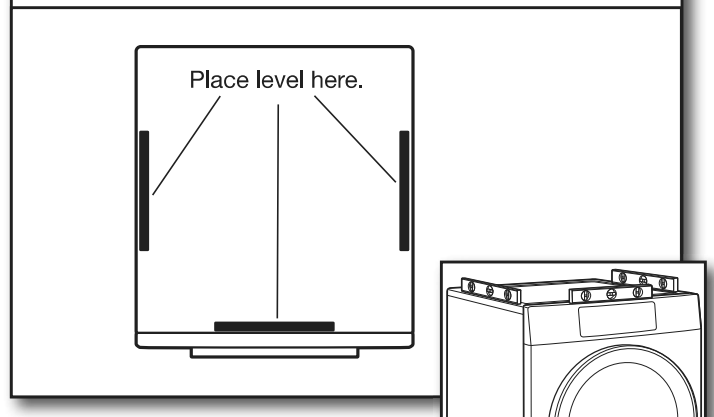


It is necessary to remove all shipping materials for proper operation and to avoid excessive noise from washer.

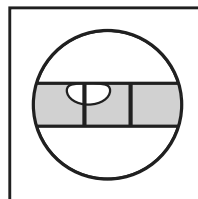
Move washer to within 48" (1.2 m) of its final location. It must be in a fully upright position.

IMPORTANT: Keep the feet on the washer even in a stacked installation.

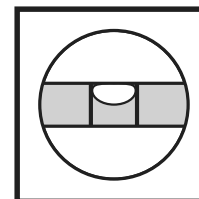
2. Ensure washer is level in its final location



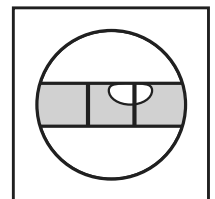
Place a level on top edges of washer, checking each side and front. If not level, tip washer and adjust feet up or down as shown in Installation Instructions, repeating as necessary.



Not Level

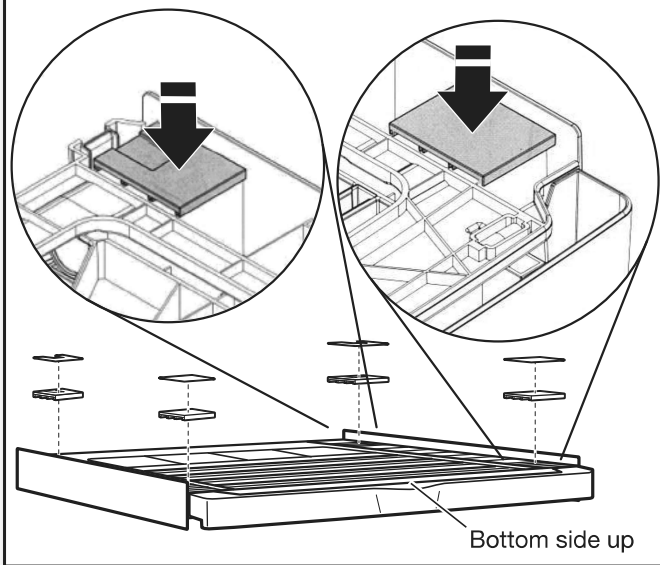


LEVEL



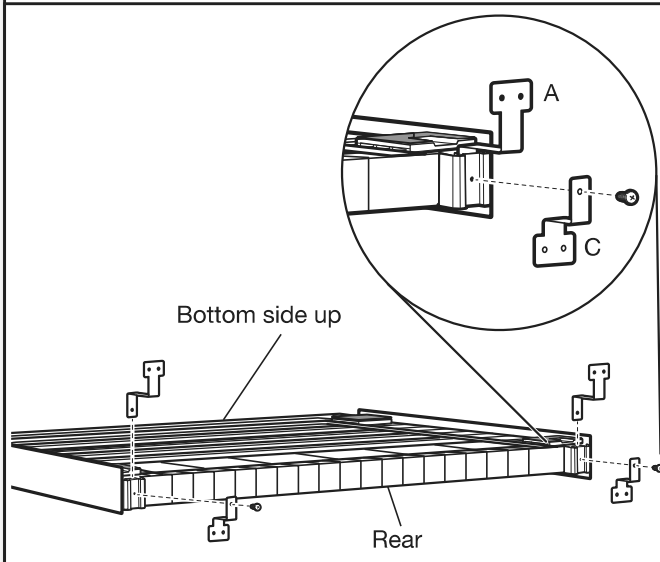
Not Level

3. Install pads on stacking platform



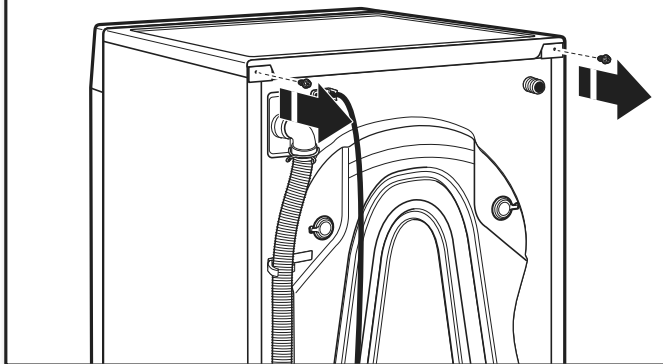
Turn the platform upside down. Install front and rear plastic pads in positions shown. Make sure they are also oriented as indicated. Then install the rubber pads over the plastic pads as shown.

4. Install brackets

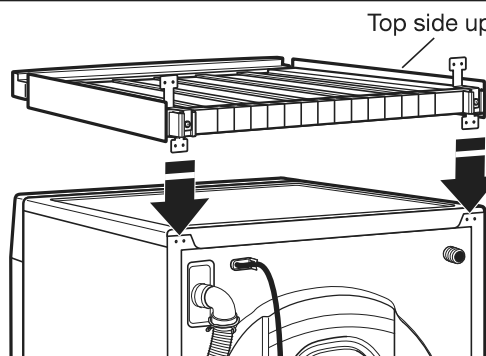


Slide lower brackets (A) into tracks as shown. Fasten them in place using upper brackets (C) and screws provided.

5. Remove screws from top rear of washer

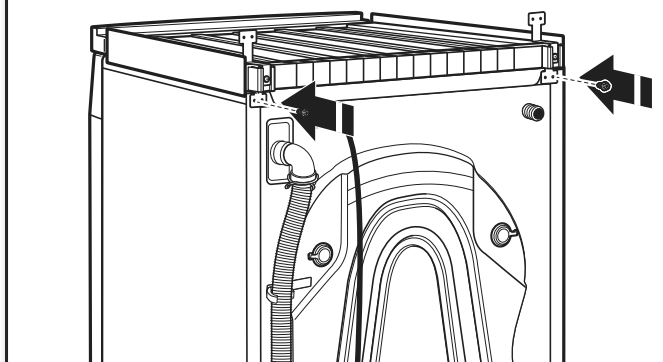


6. Flip over stacking platform and place on top of washer



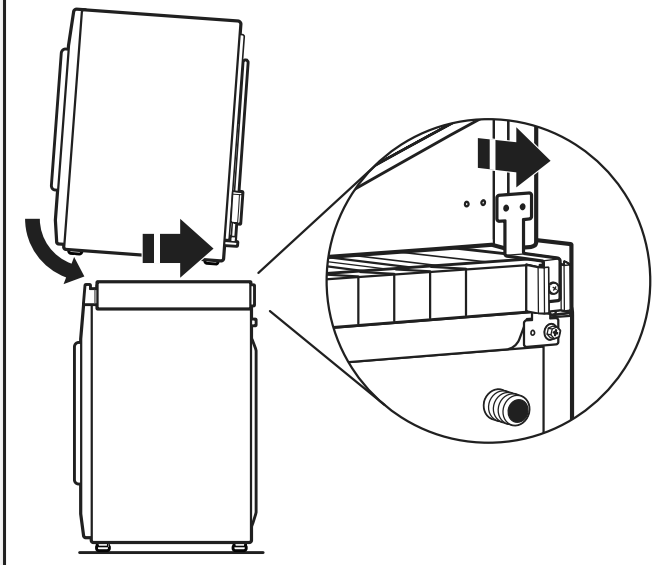
Make sure lower bracket holes are aligned with screw holes on top rear of washer.

7. Fasten stacking platform to top of washer



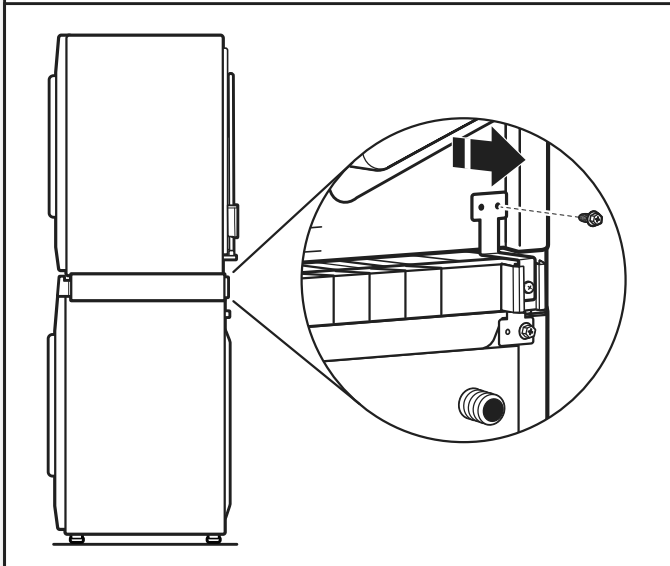
Use screws removed in Step 5 to fasten platform to washer.

8. Place dryer on top of stacking platform



Slide dryer back against upper brackets on stacking platform. Make sure holes on lower rear of dryer are aligned with holes on upper bracket of stacking platform.

9. Secure dryer to stacking platform with screws

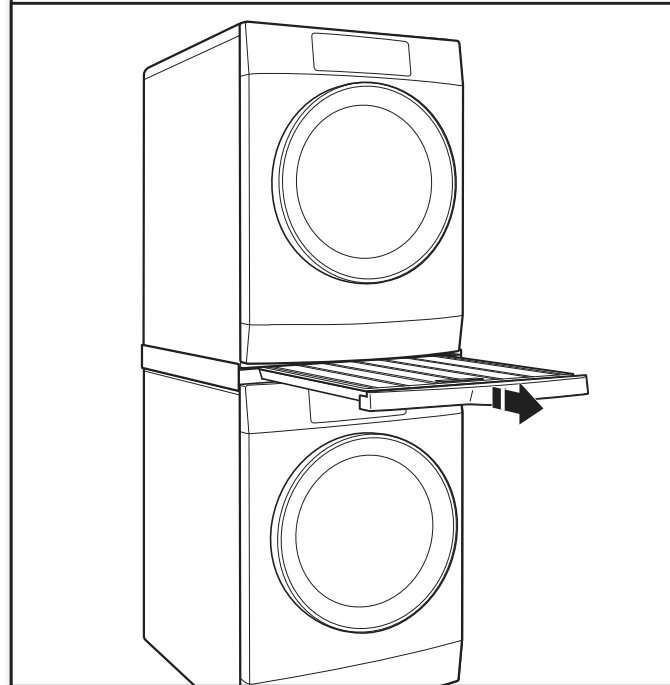


TO USE STACKING SHELF AND HANGING RACK

IMPORTANT:

- The maximum weight the shelf can support is 26 lbs. (12 kg).
- The stacked washer/dryer must be installed directly on the floor and not elevated with a pedestal.

1. Pull on handle to slide out shelf



2. Slide back shelf to uncover hanging rack

