



## Réfrigérateur encastré à portes françaises en acier inoxydable avec design intérieur platine - 24.2 pi cu - 42 po

KBFN502ESS

### Finis/couleurs disponibles



KBFN502EBS  
Black Stainless Steel with PrintShield™ Finish



KBFN502EPA  
Comité Prêt



KBFN502ESS  
Acier Inoxydable

### Dimensions

Profondeur	27 3/4
Hauteur	83 3/8
Largeur	42 1/4

### Extérieur

Couleur de la grille de base	Noir
Couleur de la caisse	Gris
Fini de la caisse	Lisse
Couleur de la porte	Acier inoxydable
Fini de la porte	Lisse
Couleur de la poignée	Acier inoxydable
Matériau de la poignée de porte	Métal
Charnière dissimulée	Oui

### Volumes AHAM et tablettes

Volume du congélateur (pi3)	6.42
Volume du réfrigérateur (pi3)	17.75

### AHAM Volumes And Shelf Area

Refrigerator Volume (Cu Ft)	17.75
-----------------------------	-------

### Distributeur

Largeur(IN, inches)	42 1/4
---------------------	--------

### GDS

isBaseUnit	Vrai
isConsumerUnit	Vrai
IsDispatchUnit	.
IsInvoiceUnit	Vrai

Derrière les portes françaises de ce réfrigérateur encastré se cachent performance et beauté. Le système de conservation des aliments Preserva® comporte trois technologies qui travaillent à l'unisson pour assurer des fruits et légumes frais croustillants et des aliments goûteux et délicieux tout en aidant à éliminer les odeurs du réfrigérateur. L'intérieur platine d'un brillant argenté complète les accents métalliques des tablettes, du bac à légumes et fruits et des paniers, tandis que le système à glissières SatinGlide® avec fermeture amortie assure leur fonctionnement en douceur.

### Caractéristiques clés

Système de conservation des aliments Preserva®

Intérieur platine

Machine à glaçons automatique

### Détails

Type de refroidissement	Double évaporateur
Profondeur de comptoir	Oui
Style de porte	Plate

### Contrôles

Type de contrôle	Commandes électroniques
------------------	-------------------------

### Guides et documentation:

[Dimension Guide](#)

[Energy Guide](#)

[Installation Guide](#)

[Owner Manual](#)

[Warranty Information](#)

**PRODUCT MODEL NUMBERS**

KBBL206E	KBBR306E	KBFN502E
KBBL306E	KBFN402E	KBFN506E
KBBR206E	KBFN406E	

**IMPORTANT:** Observe all governing codes and ordinances.

**Electrical:** A 115 Volt, 60 Hz., AC only 15- or 20-amp fused, grounded electrical supply is required. It is recommended that a separate circuit serving only your refrigerator be provided. Use an outlet that cannot be turned off by a switch. Do not use an extension cord.

A grounded 3 prong electrical outlet should be placed within 4" (10.2 cm) of the right side cabinets or end panel.

**Location:** Do not install in a location where the temperature will fall below 55°F (13°C). It is recommended that you do not install the refrigerator near an oven, radiator, or other heat source.

- Floor must support the refrigerator weight, more than 600 lbs. (272 kg), door panels, and contents of the refrigerator.
- Ceiling height must allow for side tipping radius. See "Tipping Radius."
- Location should permit door to open fully. See "Door Swing Dimensions."
- Location must permit top grille removal. See "Opening Dimensions."

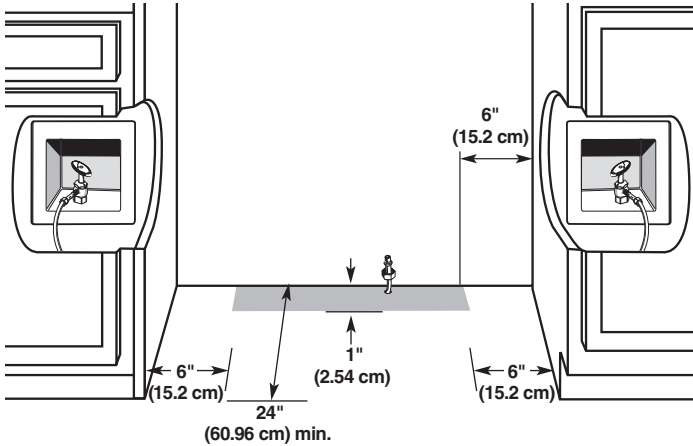
**Water Supply:**

A cold water supply with water pressure between 30 and 120 psi (207 and 827 kPa) is required to operate the water dispenser and ice maker. If you have questions about your water pressure, call a licensed, qualified plumber.

**Reverse Osmosis Water Supply**

**IMPORTANT:** The pressure of the water supply coming out of a reverse osmosis system going to the water inlet valve of the refrigerator needs to be between 30 and 120 psi (207 and 827 kPa).

- All installations must meet local plumbing code requirements.
  - The water shutoff should be located in the base cabinet on either side of the refrigerator or some other easily accessible area. The right-hand side is recommended. The access hole through the cabinet must be within 1/2" (12.7 mm) of the rear wall.
- NOTE:** If the water shutoff valve is in the back wall behind the refrigerator, it must be at an angle so that the tube is not kinked when the refrigerator is pushed into its final location.

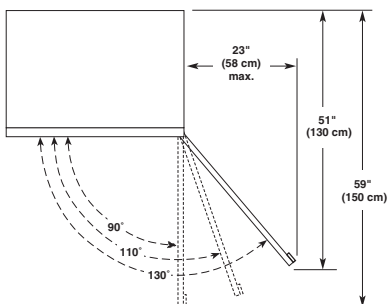


**DOOR SWING DIMENSIONS**

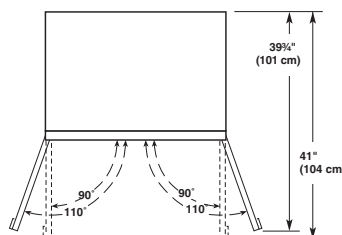
The location must permit the door to open a minimum of 90°. Allow 4 1/2" (11.4 cm) minimum space between the side of the refrigerator and a corner wall.

**NOTE:** More clearance may be required if you are using overlay panels or custom handles.

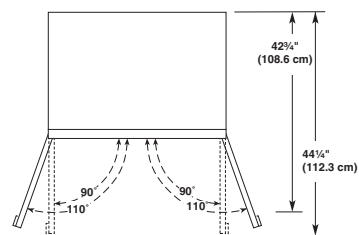
**36" (91.4 cm) Single Door Models**



**36" (91.4 cm) French Door Models**



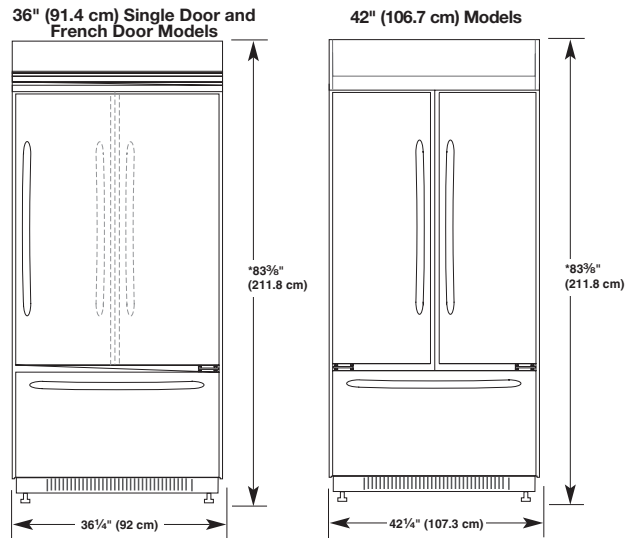
**42" (106.7 cm) Models**



**PRODUCT DIMENSIONS**

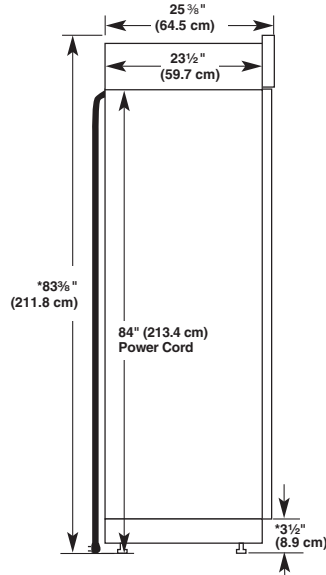
- Height dimensions are shown with the leveling legs extended to 1/8" (3 mm) below the rollers.
- Width dimensions were measured from trim edge to trim edge.

**FRONT VIEW**

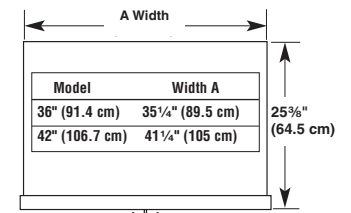


\* When leveling legs are fully extended to 1/4" (3.2 cm) below rollers, add 1 1/8" (2.9 cm) to the height dimensions.

**SIDE VIEW**



**TOP VIEW**



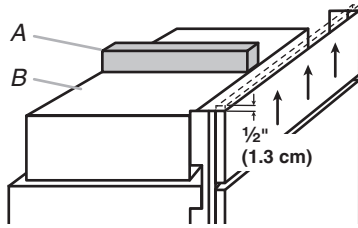
- The water line attached to the back of the refrigerator is 5' (1.5 m) long.

## OPENING DIMENSIONS

To avoid tipping during use, the solid soffit must be within 1" (2.5 cm) maximum above the refrigerator. If the solid soffit is higher than 1" (2.5 cm) or one is not available, then the refrigerator must be braced.

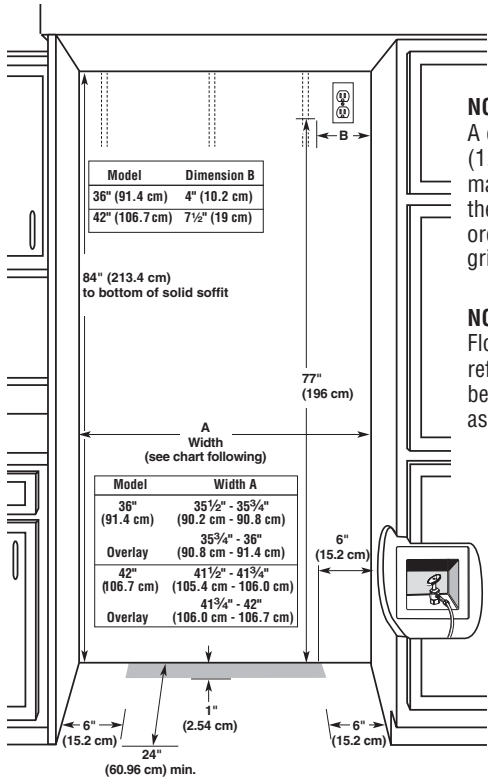
If anti-tip boards are needed, they must be installed to the rear wall studs so that the bottom of the anti-tip board is 84" (213.4 cm) from the floor.

**NOTE:** Do not remove the foam gasket on top of the compressor cover unless removal is necessary to fit the unit under a soffit. Removal of the gasket will cause loss in cooling efficiency.



A. Gasket  
B. Compressor cover

**NOTE:** If installing under a solid soffit, after installation raise the leveling legs so that the gasket is pressed snugly against the soffit.



**NOTE:**  
A clearance of ½" (1.3 cm) must be maintained above the top grille in order for the top grille to be removed.

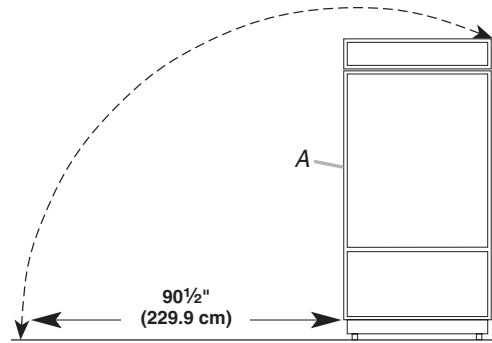
**NOTE:**  
Flooring under refrigerator must be at same level as the room.

## TIPPING RADIUS

Be sure there is adequate ceiling height to stand the refrigerator upright when it is moved into place.

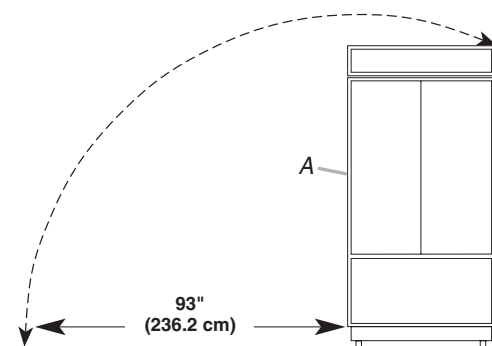
- The dolly wheel height must be added to the tipping radius when a dolly is used.
- If needed, the tipping radius can be reduced. See "Reduce Tipping Radius."

### Side Tipping Radius (36" [91.4 cm] Models)



A. Tip this side only.

### Side Tipping Radius (42" [106.7 cm] Models)



A. Tip this side only.