

MDE/MDG20CS SUPER-CAPACITY DRYER



EXTRA-LARGE CAPACITY

- 7.4-cu.-ft. capacity allows for large loads to be dried effectively and efficiently.
- Optimal drying experience maximizes facility productivity.



EASY-TO-USE CONTROLS

- Mechanical controls provide a simple user interface with robust, easy-to-use knobs.
- Allow owners to customize their machines to set the right price for the right environment.



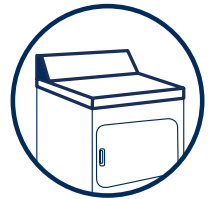
FOUR ROLLER SUSPENSION WITH PERMANENTLY LUBRICATED BEARINGS

- Designed to provide consistent and dependable drying, cycle after cycle.



PORCELAIN-ENAMEL TOP

- Possesses the strength and craftsmanship required for the traffic of a commercial laundry environment.
- Boosts durability and aesthetics.



FULL-WRAP CONSOLE

- Sleek, one-piece full-metal console is robust and easy to clean.
- Protects internal components from unexpected liquids or vapors.



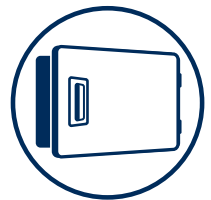
FRONT ACCESS PANEL

- Easy to remove, streamlining service by providing fast access to internal components.



EXTRA-LARGE REVERSIBLE DOOR

- Provides users unhindered access while loading and unloading clothes.
- Offers convenience and optimal flexibility for a given space.



Visit maytagcommerciallaundry.com or call 800-662-3587

MY170018

OUR COMMITMENT TO DEPENDABLE QUALITY

We understand what dependability means to your owners. That's why we use sturdy components and engineer our products to withstand tough commercial laundry environments for years. Our machines deliver consistent results, powerfully cleaning loads of varying sizes with ease. And because we trust our machines to perform, we back them with exceptional warranties. That's what reliability means to Maytag.

MAYTAG® COMMERCIAL SUPER-CAPACITY DRYER MECHANICAL CONTROLS, COIN SLIDE-READY

| DRYER SPECIFICATIONS | |
|--|--|
| MODELS | MDE/MDG20CSAYW/DOMESTIC MDE/MDG20CSAZW/CANADA |
| MOTOR SIZE—HP (KW) | 1/3 (.25) |
| AIRFLOW—CFM MDE/MDG MODEL | 178/183 |
| ELECTRIC HEATING ELEMENT (WATTS) DOMESTIC/CANADA | 5,600/5,250 |
| GAS RATING—BTU/HR. (KCAL/HR.) | 22,000 (5,544) |
| GAS INLET SIZE | 3/8 N.P.T. |
| CAPACITY | |
| Cylinder volume—cu. ft. (liters) | 7.4 (210) |
| Cylinder diameter—in. (mm) | 26.26 (667) |
| Cylinder depth—in. (mm) | 23.2 (590) |
| DIMENSIONS | |
| Width—in. (mm) | 27 (686) |
| Depth—in. (mm) | 29.25 (743) |
| Height—in. (mm) | 43 (1,092) |
| Door opening—in. (mm) | 20.25 (514) |
| Exhaust duct diameter—in. (mm) | 4 (101.6) |
| CRATED DIMENSIONS | |
| Width—in. (mm) | 28.8 (731) |
| Depth—in. (mm) | 30.8 (782) |
| Height—in. (mm) | 44.65 (1,134) |
| APPROXIMATE WEIGHT | |
| Uncrated—lbs. (kg) MDE/MDG model | 125 (56.7)/130 (59) |
| Crated—lbs. (kg) MDE/MDG model | 135 (61.2)/140 (63.5) |
| ELECTRICAL REQUIREMENTS | |
| Electrical rating—voltage/HZ MDE/MDG model | 240V/60Hz/120V/60Hz |
| Breaker/Fuse—amps MDE/MDG model | 30/15 |
| WARRANTY | |
| | 5-Year Limited |

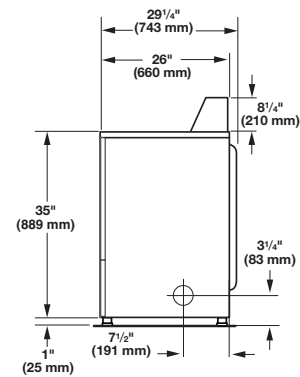
Dimensions are for planning purposes only. See specific instructions for proper installation.
Because of continuous product improvement, Maytag reserves the right to change specifications without notice.



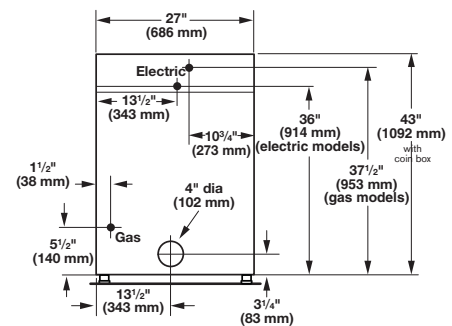
5-YEAR LIMITED WARRANTY ALL PARTS COVERED

See maytagcommerciallaundry.com for complete warranty details.

MDE/MDG20CS SUPER-CAPACITY DRYER



Side View



Back View



MAXIMUM EXHAUST DUCT LENGTH PER NUMBER OF TURNS

| Number Of 90° Turns | Rigid Metal Vent | |
|------------------------|--------------------------------|----------------------|
| | Box Hood and Louvered Style | Angled Hood Style |
| 0 | 64 ft. (19.5 m) | 58 ft. (17.7 m) |
| 1 | 54 ft. (16.5 m) | 48 ft. (14.6 m) |
| 2 | 44 ft. (13.4 m) | 38 ft. (11.6 m) |
| 3 | 35 ft. (10.7 m) | 29 ft. (8.8 m) |
| 4 | 27 ft. (8.2 m) | 21 ft. (6.4 m) |