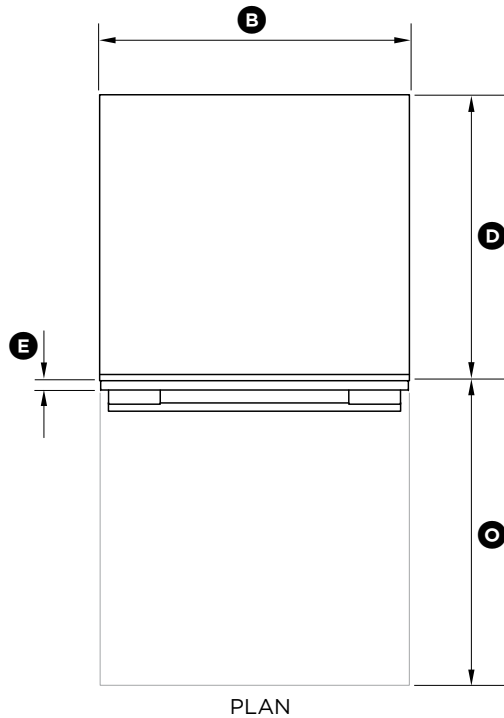
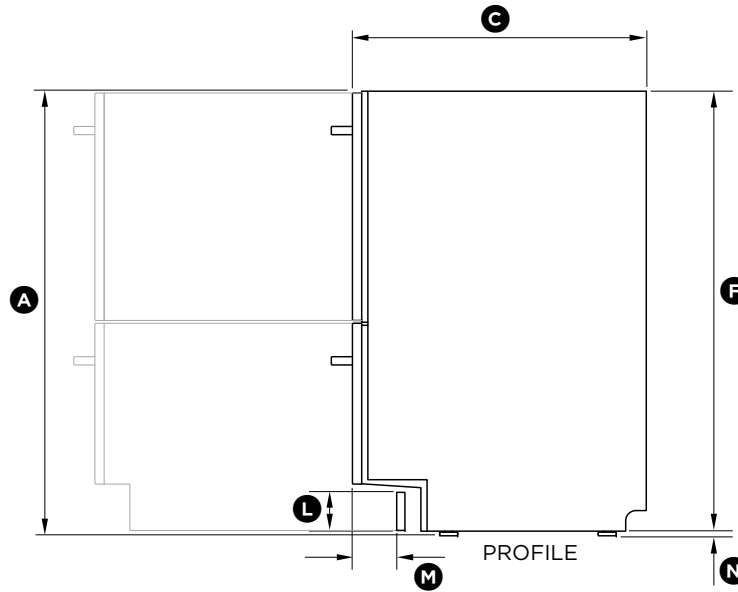
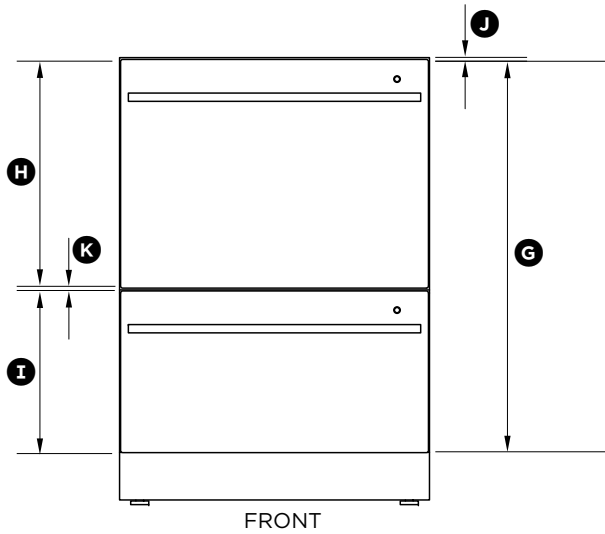




Nouveauté	
Disponibilité	Novembre 2017
Apparence extérieure	
Apparence Extérieure	Avec poignée design Fisher&Paykel
Couleur	EZKleen™; Acier inoxydable
Dimensions	
Hauteur hors tout (po)	34 - 36 3/8"
Largeur hors tout (po.)	23 9/16"
Profondeur (po.) porte fermée, excluant poignée	22 9/16"
Profondeur (po.) tiroir ouvert, excluant poignée	44 1/8"
Caractéristiques	
Capacité totale (Couverts)	14 (7 par tiroir)
Matériel de la cuve	Polymère de carbone
Avertisseur fin de cycle audible	Oui
Type de commandes	Contrôle extérieur digital
Distributeur de produit de rinçage	Avec indicateur
Système de lavage	
Tiroirs de lavage indépendants	Oui
Contrôle automatique de la température	Oui
Pression d'eau variable	Oui
Système de lavage	SmartDrive™
Système Éco	Optionnel sur tous les cycles
Programmes	
Nombre de programmes de lavage	6
Supports	
Support avec intervalle de rangement réglable (rapproché ou distant)	Oui
Supports utilitaires (par tiroir)	4 ajustables
Flexibilité des tiges rabattables (par tiroir)	2
Recouvrement des paniers	Nylon de couleur graphite
Hauteur maximale des assiettes	13" (Tiroir du haut) et 11 1/2" (Tiroir du bas)
Séchage	
Séchage par condensation	Oui
Élément chauffant	Puissances multiples
Économique / tranquillité	
Certifié Energy Star	Oui
Moteur à induction	Oui
Consommation d'eau	1.7 gallons par tiroir
Options	
Marche / Annulation / Pause	Oui
Départ différé	Oui - Jusqu'à 12 heures
Verrouillage des commandes	Oui
Verrouillage des commandes une fois en fonction	Oui
Conditions électriques	
Volts; Hertz; Amps	120V; 60Hz; 9.6 A
Consommation énergétique	ENERGY STAR 252kWh par année
Garantie	
Garantie complète de 2 ans	Appareil complet; pièces et main d'oeuvre, à domicile

PRODUCT DIMENSIONS

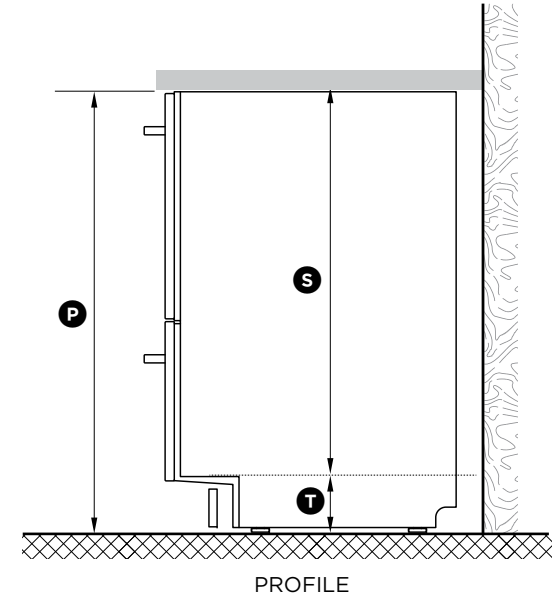
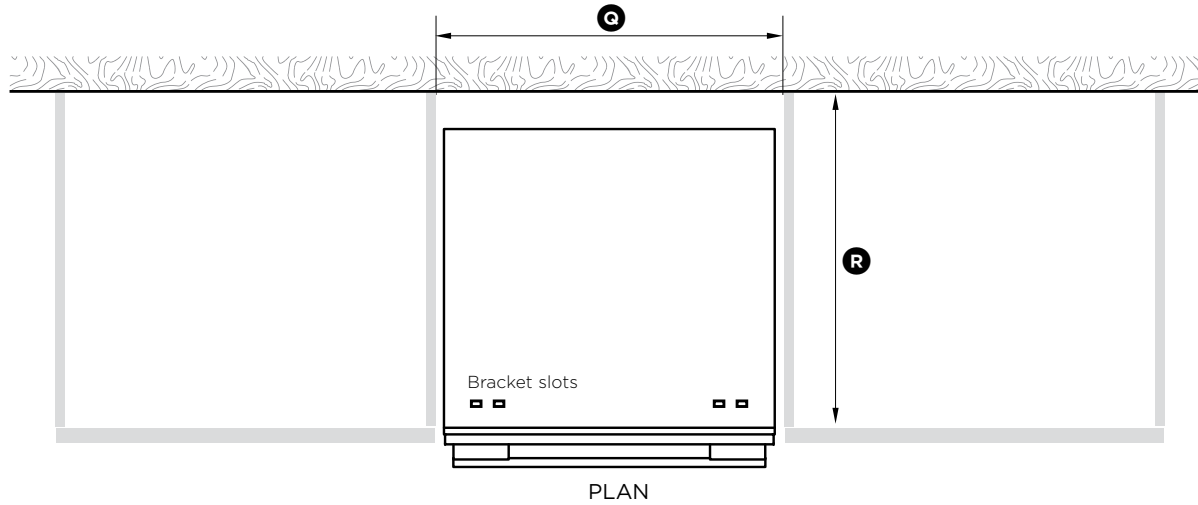
Handles may vary



PRODUCT DIMENSIONS	DD24DDFT	DD24DV2T
	INCHES (MM)	INCHES (MM)
(A) Overall height of product ¹	34 - 36 3/8" (864-924) ²	34 - 36 3/8" (864-924) ²
(B) Overall width of product	23 9/16" (599)	23 13/16" (605)
(C) Overall depth of product (excl. handle)	22 9/16" (573)	22 3/4" (578)
(D) Depth of chassis (to back of front drawer panel)	21 3/4" (553)	21 3/4" (553)
(E) Depth of drawer front panel (excl. handle)	13/16" (20)	1" (25)
(F) Height of chassis ¹	33 11/16" (855)	33 11/16" (855)
(G) Height of drawer front panels	30" (762)	30" (762)
(H) Height of upper drawer front panel	17 3/8" (442)	17 3/8" (442)
(I) Height of lower drawer front panel	12 1/4" (312)	12 1/4" (312)
(J) Height from top of drawer front panel to top of chassis	1/16" (2)	1/16" (2)
(K) Ventilation gap between drawer front panels	5/16" (8)	5/16" (8)
(L) Height of toe-kick (customisable)	2 13/16 - 5" (72-127)	2 13/16 - 5" (72-127)
(M) Depth from front of drawer panel to front of toe-kick (adjustable) ³	1 1/2 - 4" (38-102)	1 11/16 - 4 3/16" (43-107)
(N) Height of leveling feet (adjustable)	3/8 - 2 11/16" (9-69) ²	3/8 - 2 11/16" (9-69) ²
(O) Maximum extension of drawer	21 9/16" (547)	21 9/16" (547)

¹ includes 1/16" (2mm) high bracket slots ² depending on adjustment of leveling feet
³ adjustable to match toe-kick recess on adjoining cabinetry

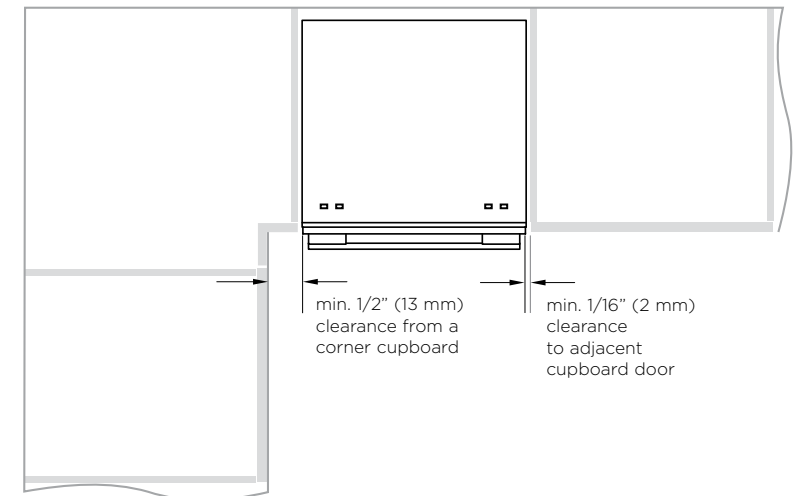
CABINETY DIMENSIONS



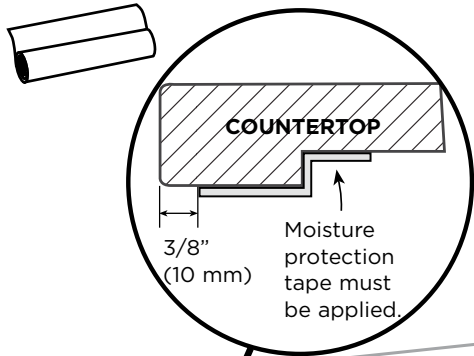
CABINETY DIMENSIONS	DD24DDFT	DD24DV2T
	INCHES (MM)	INCHES (MM)
Ⓟ Inside height of cavity*	min. 34" (864)	min. 34" (864)
ⓐ Inside width of cavity	23 5/8" (600)	24" (610)
Ⓡ Inside depth of cavity	min. 22 1/16" (560)	min. 22 1/16" (560)
Ⓢ Recommended height of adjacent cabinet space	30" (762)	30" (762)
Ⓣ Height of toekick space*	3 15/16" - 6 5/16" (100-160)	3 15/16" - 6 5/16" (100-160)

* depending on adjustment of leveling feet

Minimum clearances from adjacent cabinetry



CAVITY PREPARATION



IMPORTANT!

The power outlet must be located in a cabinet adjacent to the dishwasher cavity. 110-120 VAC max. 15 A

Water Connection

Recommended **HOT** (Maximum 140°F/60°C).

Supplied hose to suit 3/8" (9 mm) male compression fitting.

Water Pressure

Water softener models

Max. 1 MPa (145 psi)
Min. 0.1 MPa (14.5 psi)

Models without water softener

Max. 1 MPa (145 psi)
Min. 0.03 MPa (4.3 psi)

Kosher requirements

Drains will need to be separated to satisfy kosher requirements. We suggest you confirm acceptability with your local rabbi in respect to kosher installations.

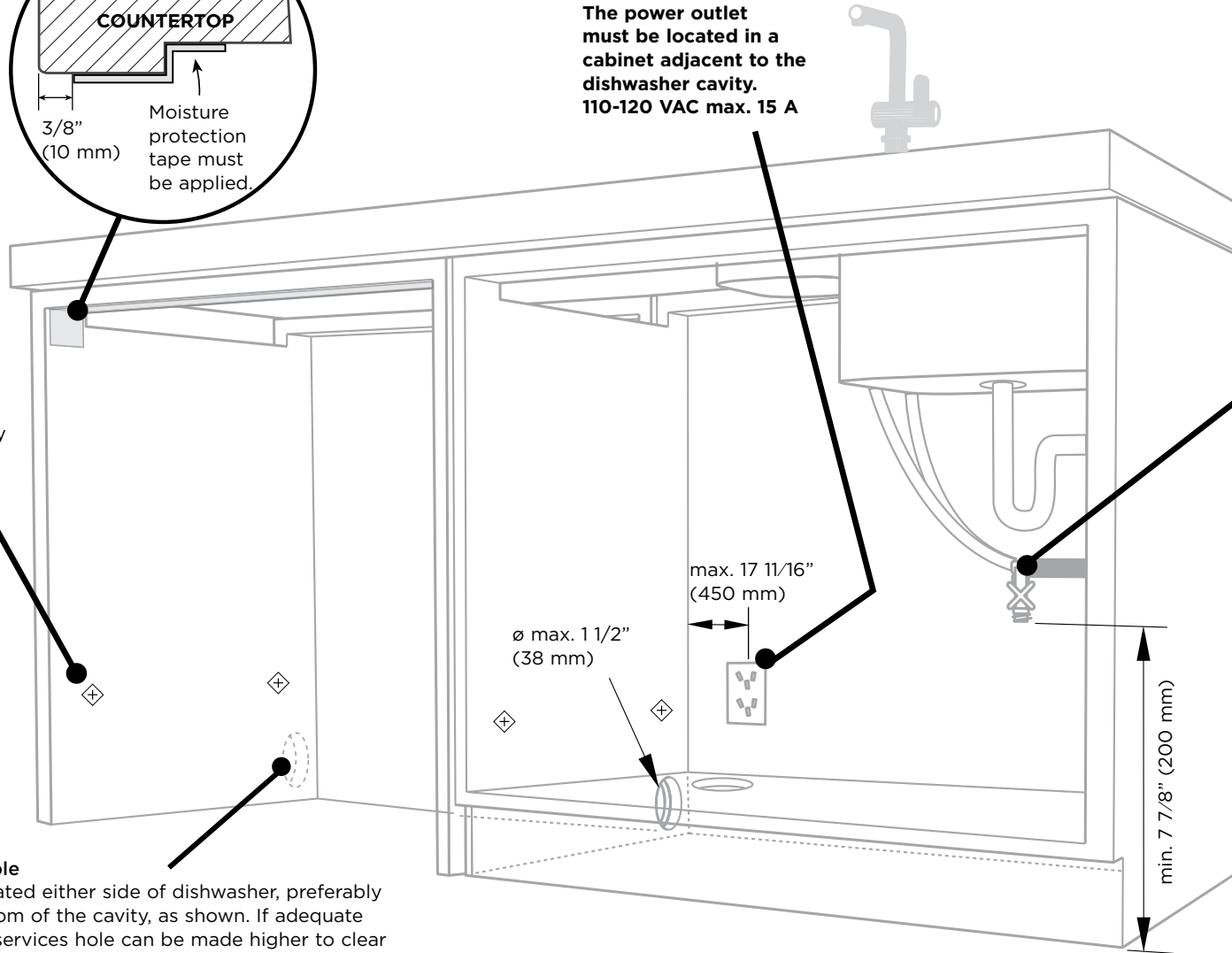
These marks indicate formed bracket screw locations, if securing by drawer removal.

If there is no side partition, you can construct timber bracing as something to secure into.

Services hole

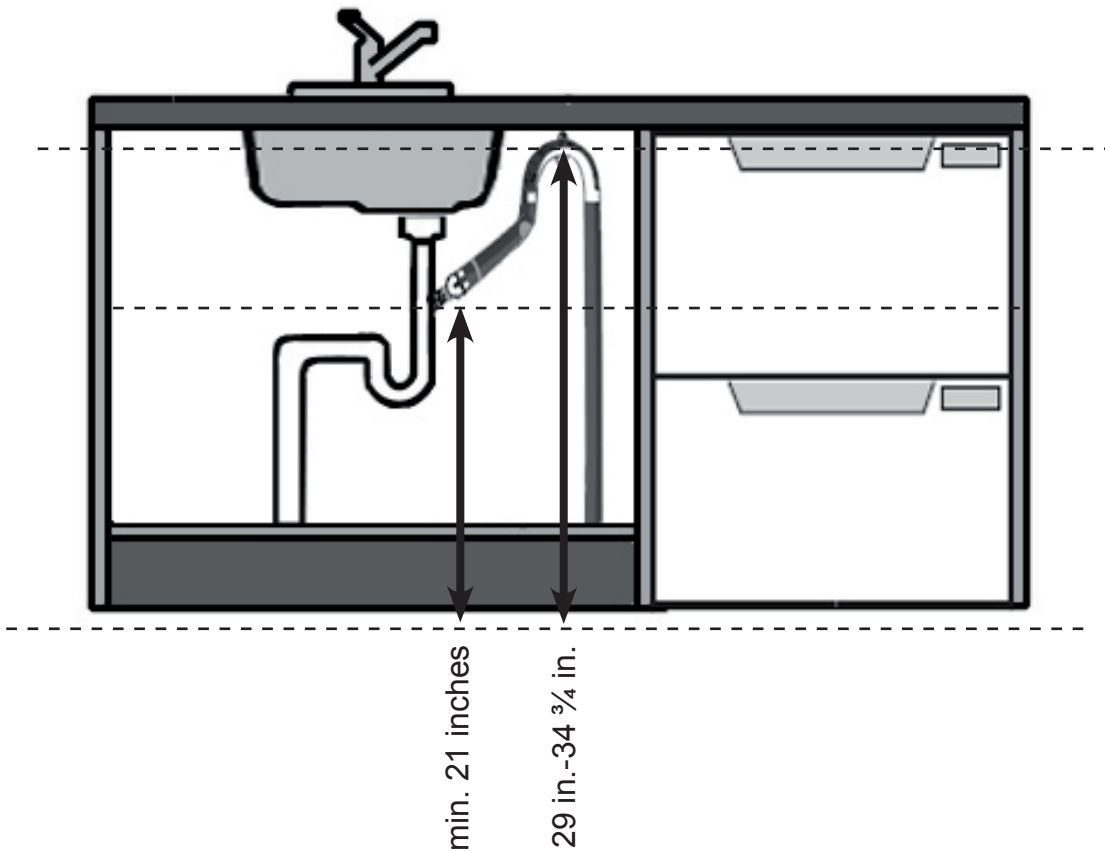
Can be located either side of dishwasher, preferably at the bottom of the cavity, as shown. If adequate clearance, services hole can be made higher to clear toekick space. If hole is higher, ensure drain hose(s) are routed straight into the waste connection.

- If the hole is through wood, make sure its edges are smooth and rounded.
- If the hole is through metal, ensure you fit the supplied Edge Protector to prevent damage to the power cord.

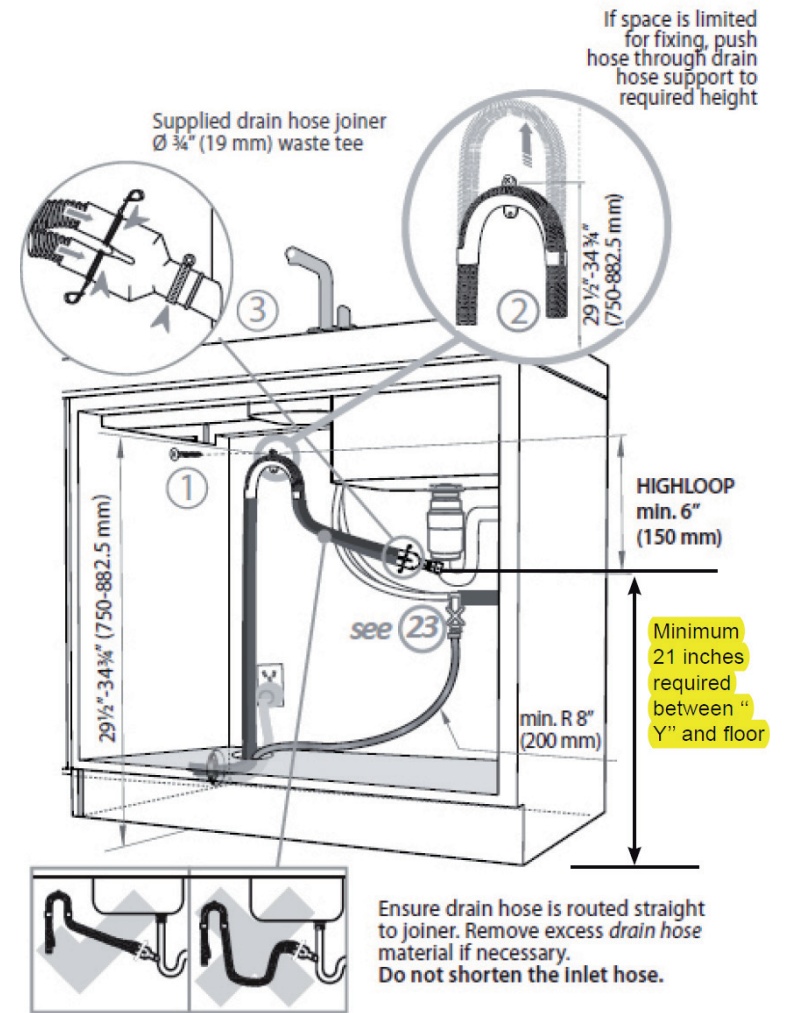


IMPORTANT!

Minimum distance from the ground to provide for connecting the drain hose



Dishwasher using sink trap with drain hose joiner



Please note: These instructions are complementary to your installation guide. Please refer installation guide given with your appliance in order to get all required instructions.

Important!
Ensure that drain connection will comply with local plumbing regulations.