



Selected Model	
Model number	RF201ADX5-N
Dimensions	
Overall Width (in.)	35 5/8"
Overall Depth (in.) including doors and handles	28 3/4"
Overall Depth (in.) without handles	27 3/8"
Overall Height (in.)	70 15/32"
Exterior Appearance	
Door Design	EZKleen™ Stainless Steel Flat Door
Built-in	Yes
Handle Type	Stainless steel square shape
Freestanding	Yes
Counter-Depth	Yes
Cabinet color	Grey
Frontage Color	EZKleen™; Stainless Steel
Concealed Hinges	Yes
Stainless Steel Type	430
Features	
Configuration	French Door
External Water Dispenser	No
Freezer Type	Drawer
Temperature Management System	ActiveSmart™
Door swing	French doors
Interior Lighting	LED Lightning
Full extension deli produce drawer	1
Sabbath Mode	Yes
Freezer Lightning	Yes
Icemaker acces	Freezer Compartment
SmartTouch™ Control Panel	Inside, Front right
Child lock	Yes
Capacity	
Total Capacity	20.1 cu.ft.
Refrigerator Capacity	14.6 cu.ft.
Freezer Capacity	5.5 cu.ft.
ActiveSmart™	
Compressor Type	Variable
Temperature Management	3 Electronic temperature sensors
Defrost Type	Variable
Vacation Mode	Automatic
Door Alarm	Yes
Multiflow Air System	Yes
Humiditi Lid System	Yes
Air Fan Management	Variable speed
Electrical Requirements	
Volts; Hertz; Amps	120V; 60Hz; 15 Amp
Accessories (Included)	
Single Bottle Holders	4
Accessories (optionnal)	
Contemporary Round Stainless Steel Handle	AHS-RF-610 (3)
Surround Kit	#24477
Warranty	
Full 2 years	Entire Appliance; In-Home; Parts & Labour
5 years warranty	Sealed system (parts only)

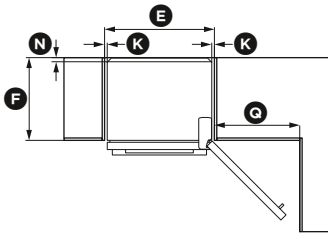
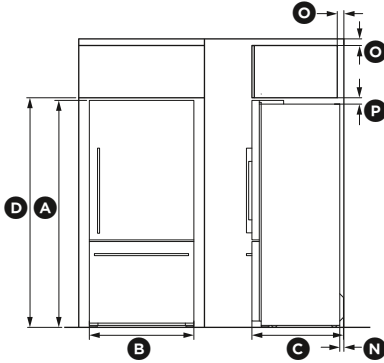
INSTALLATION INSTRUCTIONS

4. Product and cabinetry dimensions

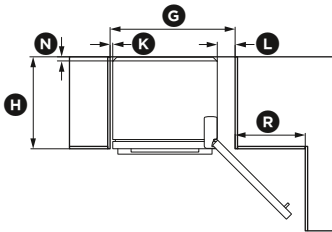
If integrating your refrigerator, please follow installation instructions provided with the integration kits.

Freezer drawer models (RF170W, RF170A, RF201A)
(Ice & Water, Automatic Ice and non-Ice & Water models)

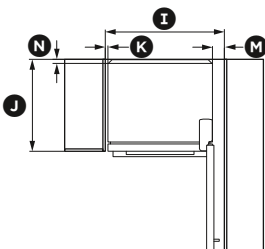
RF170W



Flush with refrigerator chassis – full door rotation

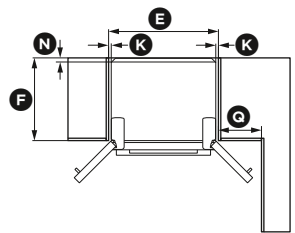
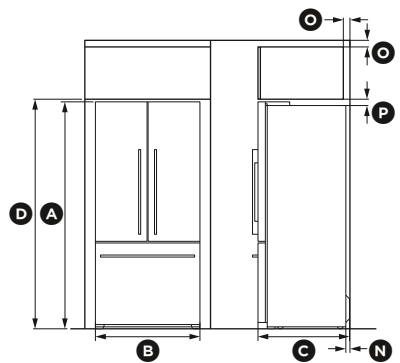


Flush with refrigerator door – full door rotation

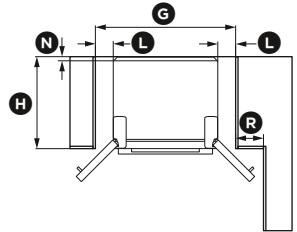


Flush with refrigerator door – 90° door rotation

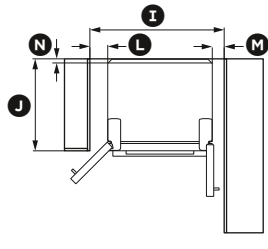
RF170A, RF201A



Flush with refrigerator chassis – full door rotation



Flush with refrigerator door – full door rotation



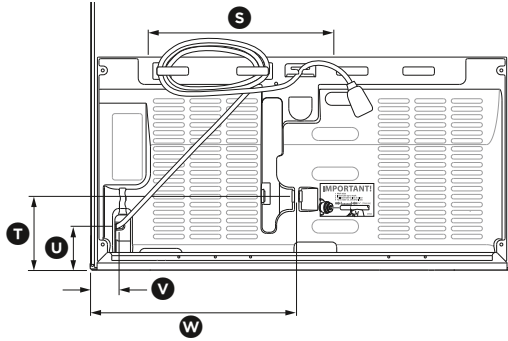
Flush with refrigerator door – 90° door rotation

INSTALLATION INSTRUCTIONS

	RF170W	RF170A	RF201A
PRODUCT DIMENSIONS	inches (mm)	inches (mm)	inches (mm)
Ⓐ Overall height of product	67 3/4" (1720)	67 3/4" (1720)	70 3/4" (1800)
Ⓑ Overall width of product	31 1/8" (790)	31 1/8" (790)	35 7/16" (900)
Ⓒ Overall depth of product (excludes handle, includes rear compartment cover)	27 3/8" (695)	27 3/8" (695)	27 3/8" (695)
CABINETRY DIMENSIONS (including minimum air clearances)	inches (mm)	inches (mm)	inches (mm)
Ⓓ Inside height of cavity	68 1/2" (1740)	68 1/2" (1740)	71 7/16" (1815)
Flush with refrigerator chassis – full door rotation			
Ⓔ Inside width	32 11/16" (830)	32 11/16" (830)	37" (940)
Ⓕ Inside depth	24 7/16" (620)	24 7/16" (620)	24 7/16" (620)
Flush with refrigerator door – full door rotation			
Ⓖ Inside width	37 3/16" (945)	41 3/4" (1060)	46 1/16" (1170)
Ⓗ Inside depth flush to door	27 3/8" (695)	27 3/8" (695)	27 3/8" (695)
Flush with refrigerator door – 90° door rotation (for full drawer/shelf access, the doors need to be open past 90°)			
Ⓘ Inside width	35 7/16" (900)	39 15/16" (1015)	44 5/16" (1125)
Ⓙ Inside depth flush to door	27 3/8" (695)	27 3/8" (695)	27 3/8" (695)
MINIMUM CLEARANCES	inches (mm)	inches (mm)	inches (mm)
Ⓚ Side clearance	13/16" (20)	13/16" (20)	13/16" (20)
Ⓛ Side clearance – hinge side flush with door – full rotation	5 5/16" (135)	5 5/16" (135)	5 5/16" (135)
Ⓜ Side clearance – hinge side flush with door – 90° rotation	3 9/16" (90)	3 9/16" (90)	3 9/16" (90)
Ⓝ Rear clearance (incl. compartment cover)	1 3/16" (30)	1 3/16" (30)	1 3/16" (30)
Ⓞ Vent – around top of cupboard (optional)	2" (50)	2" (50)	2" (50)
Ⓟ Top clearance – above refrigerator cabinet	2" (50)	2" (50)	2" (50)
Ⓠ Door clearance – hinge side flush with chassis – full rotation	25 3/8" (645)	12 13/16" (325)	14 3/8" (365)
Ⓡ Door clearance – hinge side flush with door – full rotation	20 7/8" (530)	8 1/4" (210)	9 13/16" (250)

INSTALLATION INSTRUCTIONS

5. Rear compartment cover dimensions



110VAC cord and water inlet dimensions

110VAC AND WATER INLET DIMENSIONS	RF135B	RF170W	RF170B RF170A	RF201A
	inches (mm)	inches (mm)	inches (mm)	inches (mm)
Ⓢ Power cord	40" (1016)	40" (1016)	40" (1016)	40" (1016)
Ⓣ Water inlet to bottom	5" (127)	5" (127)	5" (127)	5" (127)
Ⓤ 110VAC to bottom	3" (76)	3" (76)	3" (76)	3" (76)
Ⓥ 110VAC to edge	2" (51)	2" (51)	2" (51)	2" (51)
Ⓦ Water inlet to edge	13" (330)	16" (406)	16" (406)	18" (457)