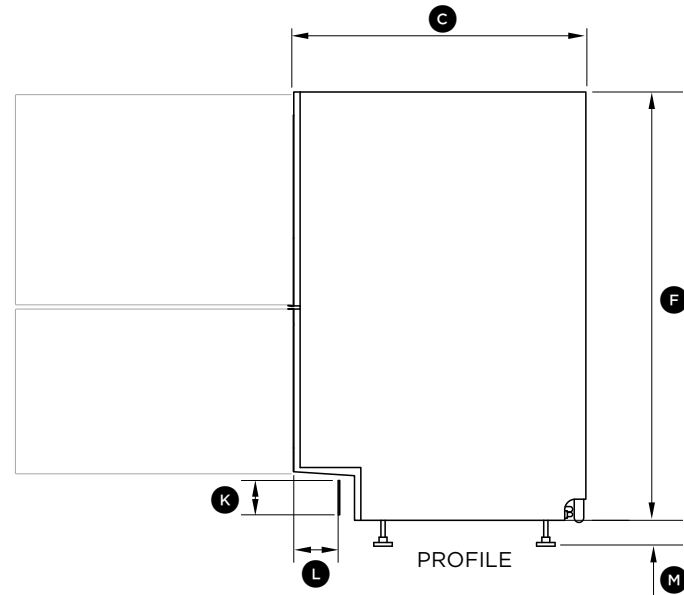
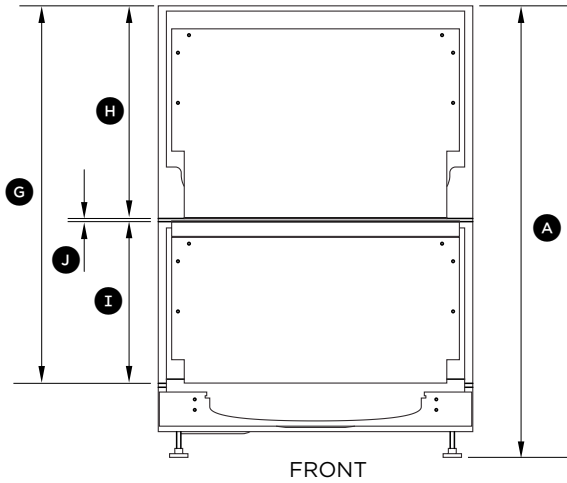




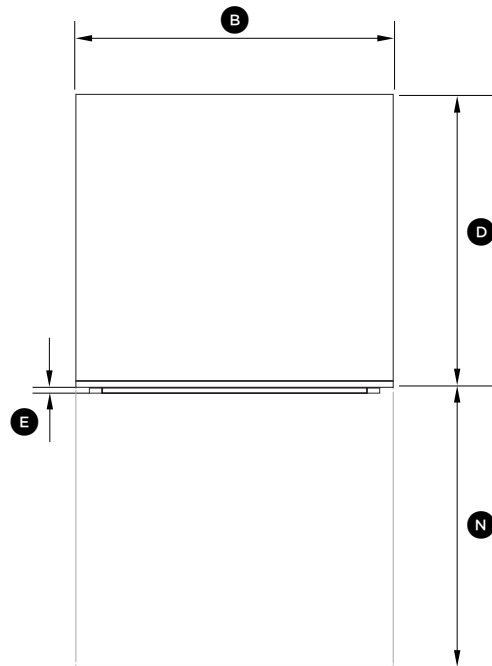
Features	
Place Settings	14 (7 per drawer)
Tub	Carbon Polymer
Audible End-of-Cycle Signal	Yes
Control Type	Interior Digital Control
Rinse Aid Dispenser	With indicator
Wash System	
Independant Washing Drawers	Yes
Automatic Temperature Control	Yes
Variable Water Pressure	Yes
Wash System	SmartDrive™
Eco options	Optional on all cycles
Water Supply	Direct
Cycles	
Wash Cycles	6
Exterior Appearance	
Appearance	Custom Panel Ready
Racking	
Support with Adjustable Storage Interval (near or distanced)	Yes
Flexible utility shelf system	4 adjustable
Flexible Folding Rods (per Drawer)	2
Rack Coating	Nylon with graphite color
Maximum Plate Height	13" (Upper Drawer) and 11 ½" (Bottom Drawer)
DryIndex	
Fan-Assist Dry	Yes
Heating Element	Multi-Wattage
Economical / Quiet	
Energy Star Qualified	Yes
Direct Drive Motor	Yes
Water Consumption	1,7 gallons per drawer
Options	
Start / Pause / Reset	Yes
Delay Start	Yes - Up to 12 hours
Child lock	Yes
Automatic Child Lock Once Started	Yes
Electrical Requirements	
Volts; Hertz; Amps	120V; 60Hz; 9.6 A
Energy Consumption	ENERGY STAR 252kWh per year
Dimensions	
Overall Height (in.)	34 - 36 3/8"
Overall Width (in.)	23 9/16"
Closed Door Depth (in.), Excluding Handle	22 9/16"
Opened Drawer Depth (in.), Excluding Handle	44 1/8"
Accessories (optional)	
Stainless Steel Panels	ADDD24DT-N For DishDrawer DD24DTI9-N
Warranty	
3 Years Full Warranty	Entire appliance; parts and labour, in-home service

PRODUCT DIMENSIONS



STANDARD
HEIGHT
MODELS

TALL
HEIGHT
MODELS



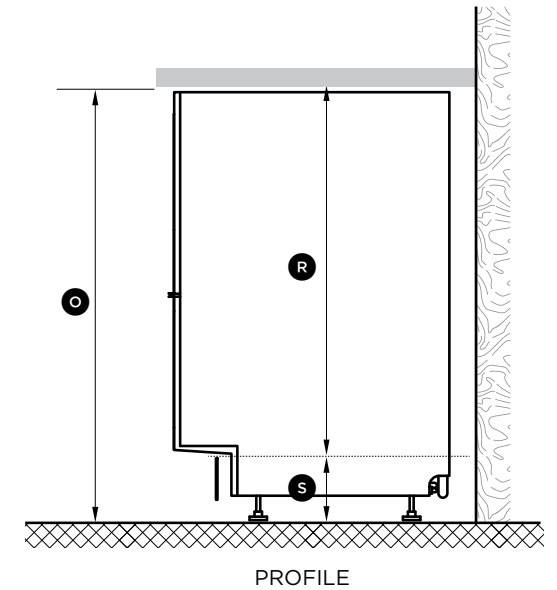
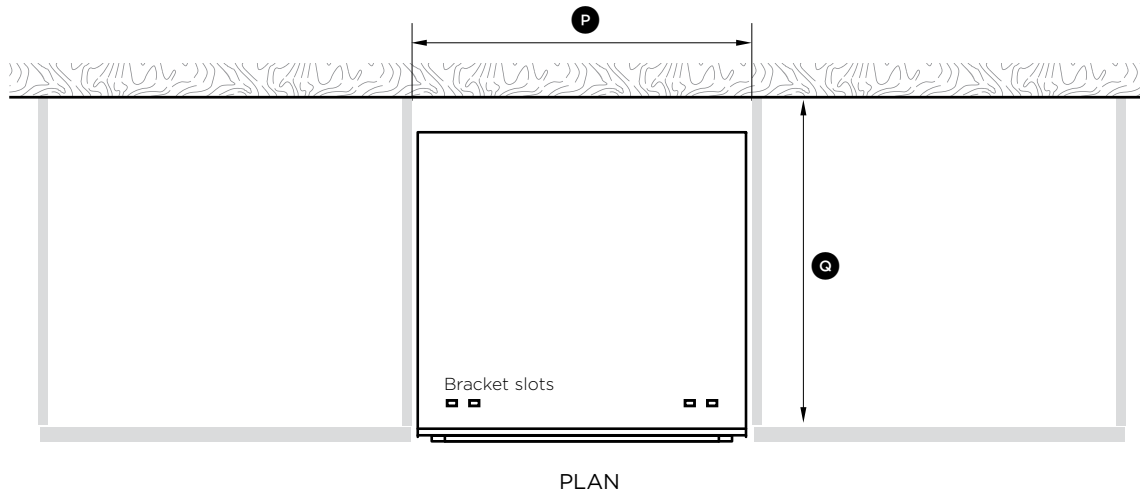
PRODUCT DIMENSIONS	DD24DI	DD24DTI DD24DHTI
	INCHES (MM)	INCHES (MM)
(A) Overall height of product ^{1,2}	32 5/16 - 34 5/8" (820-880)	34 - 36 3/8" (864-924)
(B) Overall width of product	23 9/16" (599)	23 9/16" (599)
(C) Overall depth of product ³	22 1/2" (571)	22 1/2" (571)
(D) Depth of chassis (to back of front drawer panel)	21 3/4" (553)	21 3/4" (553)
(E) Depth of drawer front panel	5/8" - 13/16" (16-20)	13/16" (20)
(F) Height of chassis ¹	31 15/16" (811)	33 11/16" (855)
(G) Height of drawer front panels	min. 28 1/4" (717)	29 15/16" (761)
(H) Height of upper drawer front panel	min 15 11/16" (398)	min. 17 3/8" (442)
(I) Height of lower drawer front panel	12 1/4" - 14 3/16" (311-360)	12 1/4" - 14 3/16" (311-360)
(J) Ventilation gap between drawer front panels	5/16" (8)	5/16" (8)
(K) Height of toe-kick (customisable)	2 1/4" - 4 5/8" (58-118)	2 1/4" - 4 5/8" (58-118)
(L) Depth from front of drawer panel to front of toe-kick (adjustable) ^{4,5}	1 9/16" - 3 15/16" (40-100)	1 9/16" - 3 15/16" (40-100)
(M) Height of leveling feet (adjustable) ²	3/8 - 2 11/16" (9-69)	3/8 - 2 11/16" (9-69)
(N) Maximum extension of drawer ³	21 7/16" (545)	21 7/16" (545)

¹ includes 1/16" (2mm) high bracket slots ² depending on adjustment of leveling feet ³ assuming front panel thickness of 11/16" (18mm)

⁴ adjustable to match toe-kick recess on adjoining cabinetry

⁵ assuming custom toe-kick panel thickness of 11/16" (18mm); if recess is between 1 15/16"-3 5/16" (50-84mm) deep, the panel will need to be cut out - see step 'Custom panel calculations'

CABINETY DIMENSIONS



STANDARD
HEIGHT
MODELS

TALL
HEIGHT
MODELS

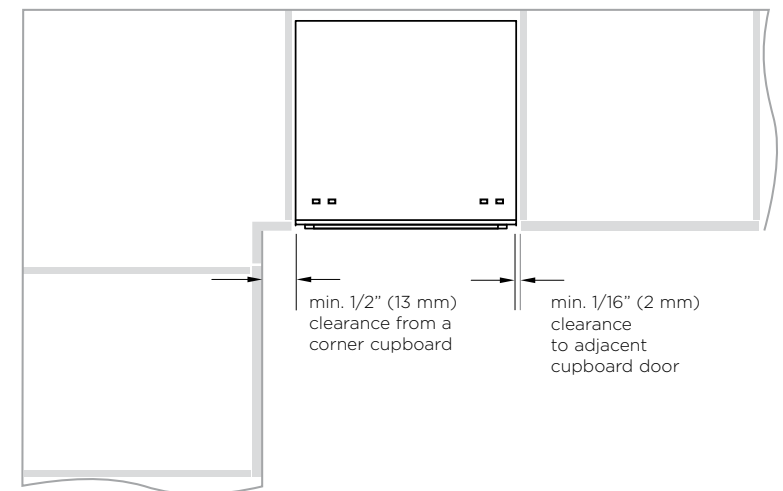
DD24DI

**DD24DTI
DD24DHTI**

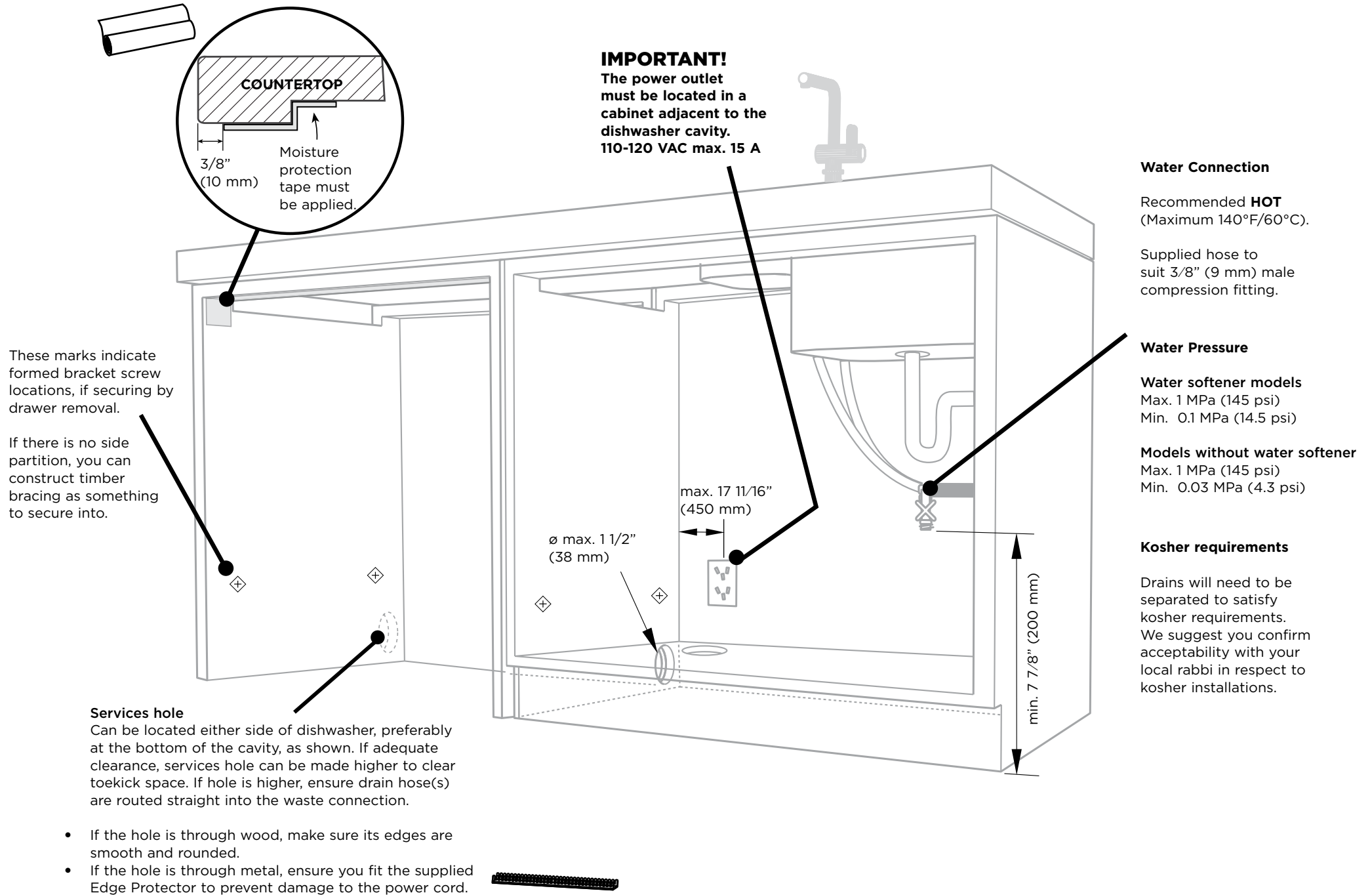
CABINETY DIMENSIONS	INCHES (MM)	INCHES (MM)
ⓐ Inside height of cavity*	min. 32 5/16" (820)	min. 34" (864)
Ⓟ Inside width of cavity	23 5/8" (600)	23 5/8" (600)
ⓐ Inside depth of cavity	min. 22 1/16" (560)	min. 22 1/16" (560)
Ⓡ Recommended height of adjacent cabinet space	30" (762)	30" (762)
Ⓢ Height of toekick space*	2 3/8 - 4 3/4" (60-120)	3 15/16" - 6 5/16" (100-160)

* depending on adjustment of leveling feet

Minimum clearances from adjacent cabinetry



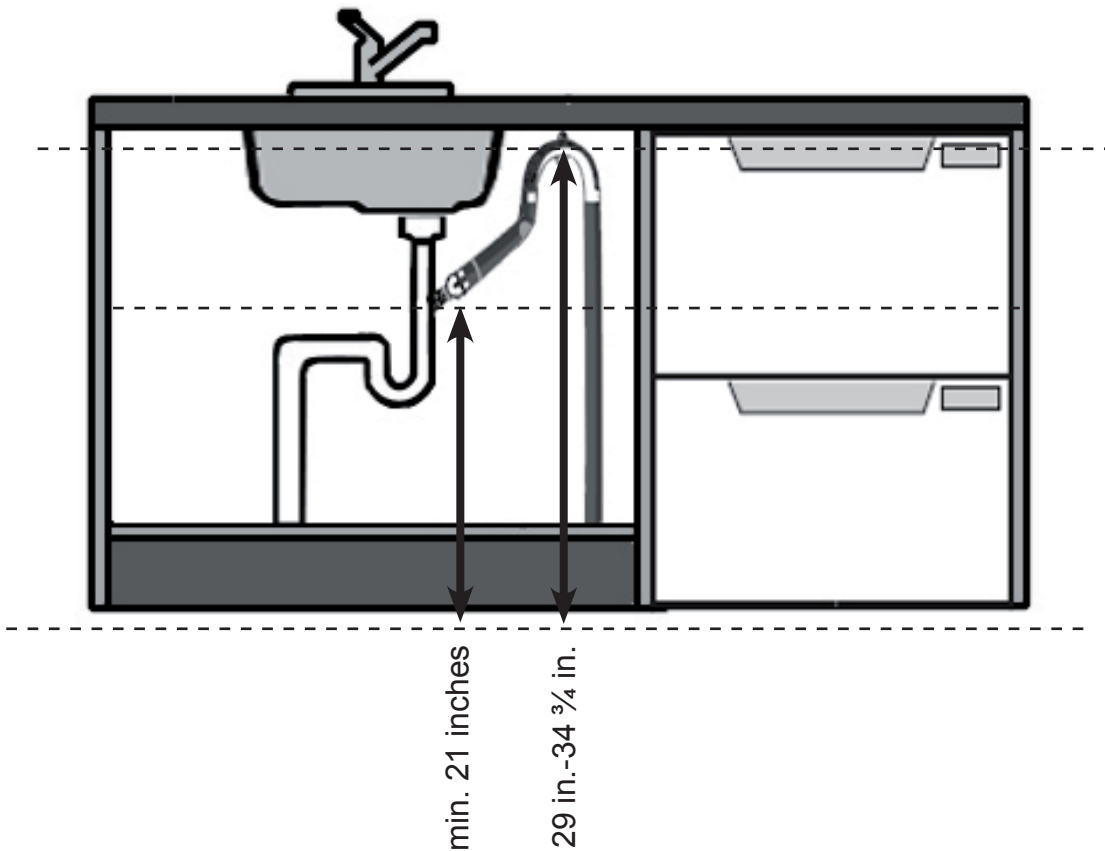
CAVITY PREPARATION



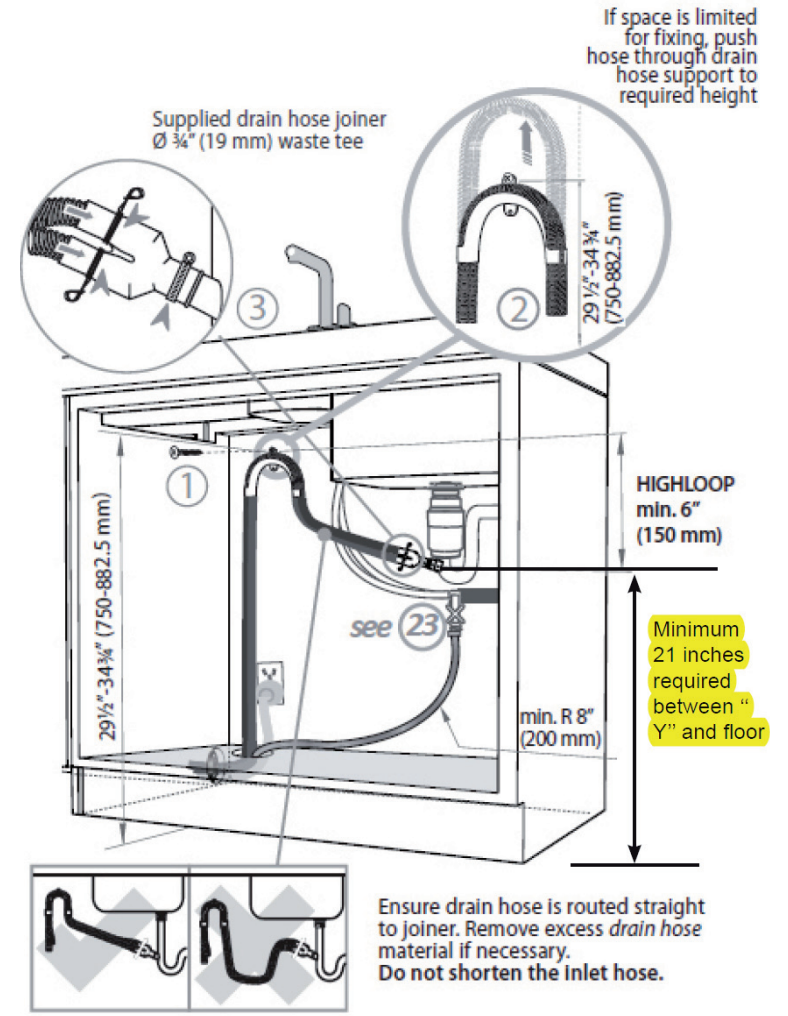
- If the hole is through wood, make sure its edges are smooth and rounded.
- If the hole is through metal, ensure you fit the supplied Edge Protector to prevent damage to the power cord.

IMPORTANT!

Minimum distance from the ground to provide for connecting the drain hose



Dishwasher using sink trap with drain hose joiner



Please note: These instructions are complementary to your installation guide. Please refer installation guide given with your appliance in order to get all required instructions.

Important!
Ensure that drain connection will comply with local plumbing regulations.