

FISHER & PAYKEL

FREESTANDING RANGE

OR30S Gas Gas & OR30S Dual Fuel
models

INSTALLATION GUIDE

US CA

591506C / 1105556-β2 07.18

⚠ WARNING!

If the information in this manual is not followed exactly, a fire or explosion may result causing property damage, personal injury or death.

Do not store or use gasoline or other flammable vapors and liquids in the vicinity of this or any other appliance.

NEVER use this appliance as a space heater to heat or warm the room. Doing so may result in carbon monoxide poisoning and overheating of the appliance.

WHAT TO DO IF YOU SMELL GAS:

- Do not try to light any appliance.
- Do not touch any electrical switch.
- Do not use any phone in your building.
- Immediately call your gas supplier from a neighbor's phone.
Follow the gas supplier's instructions.
- If you cannot reach your gas supplier, call the fire department.

Installation and service must be performed by a qualified installer, service agency or the gas supplier.

① SAFETY AND WARNINGS

⚠ WARNING!



Electrical shock hazard

Before carrying out any work on the electrical section of the appliance, it must be disconnected from the mains electricity supply.

Connection to a good ground wiring system is absolutely essential and mandatory.

Alterations to the domestic wiring system must only be made by a qualified electrician

Failure to follow this advice may result in electrical shock or death.

⚠ WARNING!



Cut Hazard

Take care - some edges are sharp.

Failure to use caution could result in injury or cuts.

⚠ WARNING!



Tip-Over Hazard

A child or adult can tip the range and be killed.

- Install anti-tip device to range and/or structure per installation instructions.
- Engage the range to the anti-tip device installed to the structure.
- Re-engage anti-tip device if range is moved.

Failure to follow these instructions can result in death or serious burns to children and adults.

The product data plate is attached below the bottom drawer.
To check the label, it is necessary to remove the drawer
(see 'Setting the pressure regulator' for instructions on drawer removal).

DATA PLATE

CONVERSION LABEL

IMPORTANT! SAVE THESE INSTRUCTIONS

The models shown in this installation guide may not be available in all markets and are subject to change at any time. For current details about model and specification availability in your country, please go to our website fisherpaykel.com or contact your local Fisher & Paykel dealer.

IMPORTANT SAFETY INSTRUCTIONS!

- Save these instructions for the local inspectors use.
- To avoid hazard, follow these instructions carefully before installing or using this appliance.
- Please make this information available to the person installing the appliance - doing so could reduce your installation costs.
- This range is to be installed and connected to the electricity supply only by an authorized person.
- If the installation requires alterations to the domestic electrical system, call a qualified electrician. The electrician should also check that the socket cable section is suitable for the electricity drawn by the range.
- The range must be grounded.
- Installation must comply with your local building and electricity regulations.
- This appliance must be installed and connected to the mains power supply only by a suitably qualified person according to these installation instructions and in compliance with any applicable local building and electricity regulations. Failure to install the appliance correctly could invalidate any warranty or liability claims.
- Installation of any gas-fired equipment should be made by a licensed plumber. A manual shut-off valve must be installed in an accessible location in the gas line external to the appliance for the purpose of turning on or shutting off gas to the appliance (In Massachusetts such shutoff devices should be approved by the Board of State Examiners of Plumbers & Gas Fitters).
- Ensure the installer shows the customer where the gas supply shut-off valve is located.
- If the power supply cable is damaged, it must be replaced by the manufacturer, its service agent or similarly qualified person in order to avoid a hazard.
- A circuit breaker is recommended.
- Do not use adaptors, reducers or branching devices to connect the oven to the mains electricity supply, as they can cause overheating and burning.
- Improper installation, adjustment alteration, service or maintenance can cause property damage, injury or death. Read the installation, operating and maintenance instructions thoroughly before using, installing or servicing this appliance.
- A risk of the appliance tipping over exists if the appliance is not installed in accordance with installation instructions.
- DO NOT obstruct the flow of combustion or ventilation air to the appliance. Be sure a fresh air supply is available.
- California Proposition 65 - The burning of gas cooking fuel generates some by-products which are known by the State of California to cause cancer or reproductive harm. California law requires businesses to warn customers of potential exposure to such substances. To minimize exposure to these substances, always operate this unit according to the manufacturer's instructions and provide good ventilation to the room when cooking with gas.
- Check local building codes for the proper method of range installation. Local codes vary. Installation, electrical connections, and grounding must comply with all applicable codes. In the absence of local codes, the range should be installed in accordance with the latest edition of National Fuel Gas Code ANSI Z223.1 and National Electrical Code ANSI/NFPA 70.
- In Canada: Installation must be in accordance with the current CAN/CGA B149.1 & 2 Gas Installation codes and/or local codes. Electrical installation must be in accordance with the current CSA C22.1 Canadian Electrical Codes Part 1 and/or local codes. Be sure that the unit being installed is set up for the kind of gas being used. The gas range is shipped from the factory set and adjusted for Natural Gas. It can be converted for use with LP (propane) following the instructions in this manual.
- Some models are supplied with a protective film on steel and aluminum parts. This film must be removed before installing/using the appliance.
- The appliance must not be installed behind a decorative door in order to avoid overheating.

GENERAL INSTALLATION INFORMATION

Installation in manufactured (mobile) home

Installation must conform with the Manufactured Home Construction and Safety Standard, Title 24 CFR, Part 3280 [formerly the Federal Standard for Mobile Home Construction and Safety, Title 24, HUD (Part 280)] or, when such standard is not applicable, the Standard for Manufactured Home Installations, ANSI/NCSBCS A225.1, or with local codes where applicable.

Installation in recreational park trailers

Installation must conform with state or other codes or, in the absence of such codes, with the Standard for Recreational Park Trailers, ANSI A119.5.

- To eliminate risk of burns or fire by reaching over heated surface units, cabinet storage located above the surface units should be avoided.
- Air curtain or other overhead range hoods, which operate by blowing a downward air flow on to a range, shall not be used in conjunction with gas ranges other than when the hood and range have been designed, tested and listed by an independent test laboratory for use in combination.

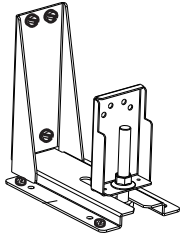
Cleaning and servicing

- Service should only be performed by an authorized/qualified technician.
- Disconnect the electrical supply to the appliance before servicing.
- When removing appliance for cleaning and/or service:
 - Shut off gas at main supply.
 - Disconnect AC power supply.
 - Disconnect gas line to the inlet pipe.
 - Carefully remove the range by pulling outward.
 - CAUTION: Range is heavy; use care in handling.
 - Do not lift the range by the oven door handle or hob rail
 - The misuse of oven door (eg stepping, sitting, or leaning on them) can result in potential hazards and/or injuries.
 - When installing or removing the range for service, a rolling lift jack should be used. Do not push against any of the edges of the range in an attempt to slide it into or out of the installation.
 - Pushing or pulling a range (rather than using a lift jack) also increases the possibility of bending the leg spindles or the internal coupling connectors.

Replacement parts

Only authorized replacement parts may be used in performing service on the range. Replacement parts are available from factory authorized parts distributors. Contact the nearest parts distributor in your area.

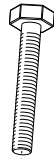
② PARTS SUPPLIED FOR INSTALLATION



Anti-tip bracket (1)



Small screws and washers (2)



Bolt (1)



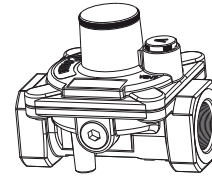
Threaded nuts (2)



Wood screws (8)



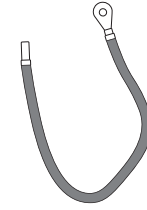
Screws and plastic sleeve anchors (8)



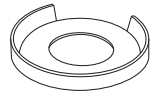
Pressure regulator (1)



1/2" (12.7mm) NPT connector and gasket (1)



Ground lead* (3 wire permanent connection)



Cupped washer* (4 wire permanent connection)

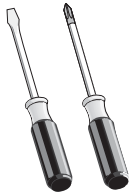
*Can be used in US only, for Canada it is mandatory to connect the range by using cordset with plug supplied.

③ TOOLS NEEDED FOR INSTALLATION (NOT SUPPLIED WITH THE APPLIANCE)

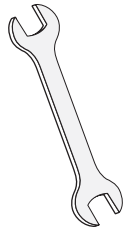
IMPORTANT!

THIS APPLIANCE MUST BE INSTALLED BY A QUALIFIED INSTALLER.

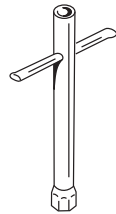
- Improper installation, adjustment, alteration, services, or maintenance can cause injury or property damage. Consult a qualified installer, service agent, or the gas supplier.
- The use of suitable protective clothing/gloves is recommended when handling or installing this appliance.



Screwdriver



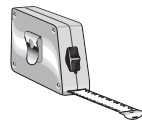
2 - Wrench



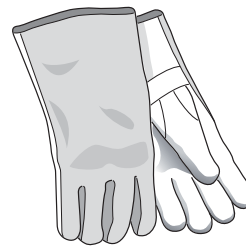
T-handle wrench



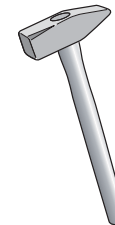
Pencil



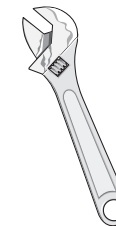
Tape measure



Suitable protective gloves



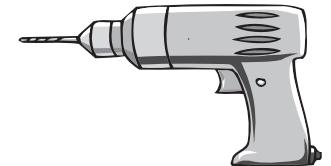
Hammer



Adjustable wrench



Adjustable pliers



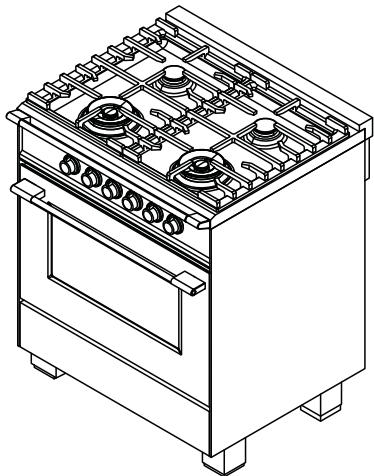
Drill

④ MODEL IDENTIFICATION

NOTE: Model features may vary

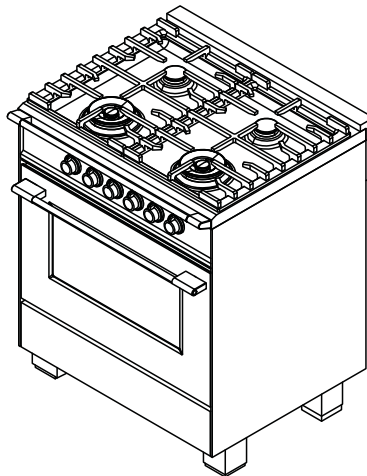
30" GAS GAS MODELS

OR30SCG4
OR30SDG4



30" DUAL FUEL MODELS

OR30SCG6
OR30SDG6



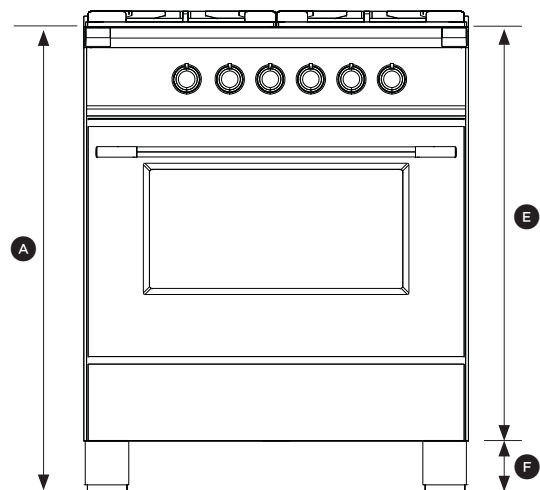
⑤ PRIOR TO INSTALLATION

Unpacking and handling

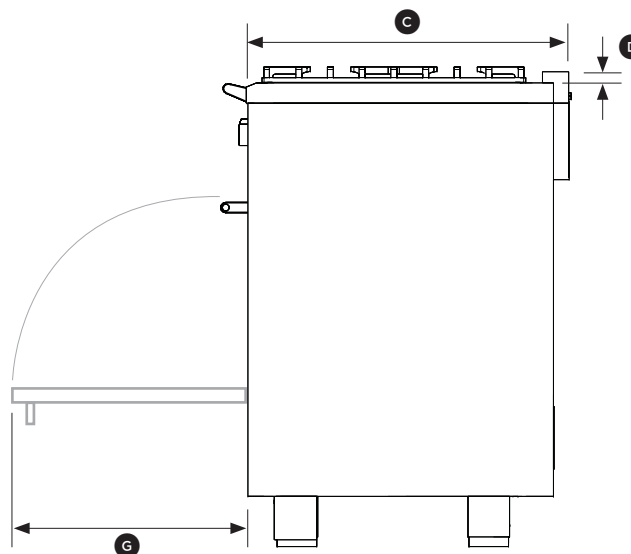
- Inspect the range to verify that there is no shipping damage. If any damage is detected, call the shipper and initiate a damage claim. Fisher & Paykel is not responsible for shipping damage.
- DO NOT discard any packing material until the range has been inspected.
- Remove the outer carton and any packing material from range. Some models are supplied with a protective film on steel and aluminum parts. This film must be removed before installing or using the appliance.

6 PRODUCT DIMENSIONS

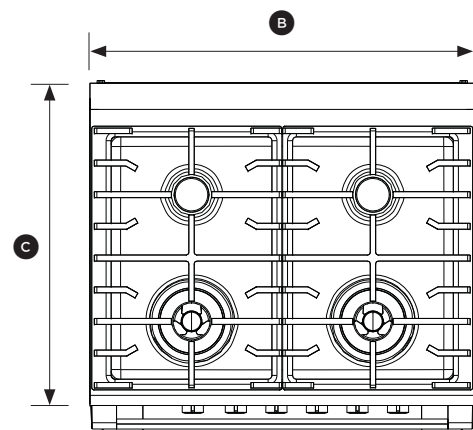
NOTE: Model features may vary
Optional kickstrip is available (purchased separately)



FRONT



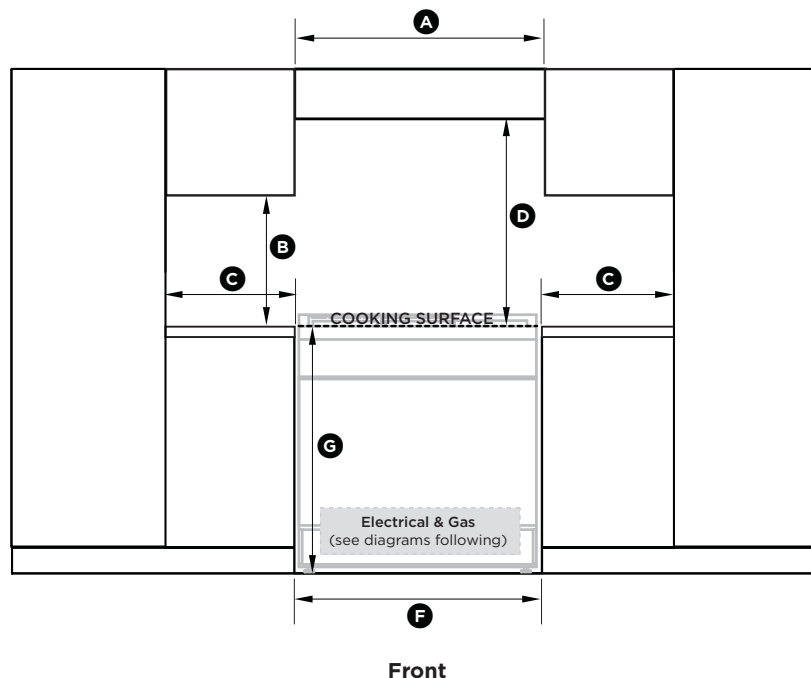
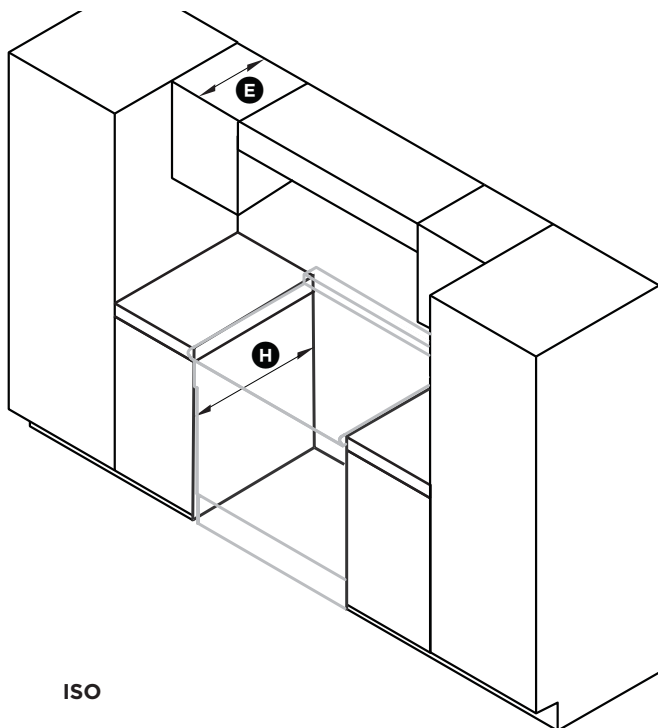
SIDE



TOP

PRODUCT DIMENSIONS	OR30S GAS GAS	OR30S DUAL FUEL
	inches (mm)	inches (mm)
(A) Overall height of range (from floor to top of cooktop, excluding grates and island trim/backguard)	min. 35 3/4" (908) max. 37 5/8" (956)	min. 35 3/4" (908) max. 37 5/8" (956)
(B) Overall width of range	29 7/8" (759)	29 7/8" (759)
(C) Overall depth of range (from front of range to rear of island trim/backguard, excluding handles and dials)	25 1/4" (641)	25 1/4" (641)
(D) Height from top of cooktop to top of - Island trim (fitted) - Backguard (optional)	7/8" (22) 3" (76)	level with cooktop 3" (76)
(E) Height of chassis (excluding adjustable feet)	32 1/8" (816)	32 1/8" (816)
(F) Adjustable feet height	min 3 3/8" (85) max 5 1/4" (133)	min 3 3/8" (85) max 5 1/4" (133)
(G) Depth of open door to front of range	16 7/16" (417)	16 7/16" (417)

7 CLEARANCE DIMENSIONS



Note

#1 To eliminate the risk of burns or fire by reaching over heated surface units, cabinet storage space located above the surface units should be avoided. If cabinet storage is to be provided, the risk can be reduced by installing a rangehood that projects horizontally a minimum of 5" (127mm) beyond the bottom of the cabinets.

#2 **D**=30" (762mm) minimum clearance between the top of the cooking surface and the bottom of an unprotected wood or metal cabinet; or **D**=24" (610mm) minimum when bottom of wood or metal cabinet is protected by not less than 1/4"-thick flame retardant millboard covered with not less than No. 28 MSG sheet steel, 0.015"-thick stainless steel, 0.024"-thick aluminum, or 0.020"-thick copper.

Note

- This range may be installed directly adjacent to existing 36" (914mm) high base cabinets.
- If the range is to be placed adjacent to cabinets, the clearances shown are required. The same clearances apply to island installations.
- The range can be placed in various positions with respect to the cabinet front, with the control panel either flush or projecting, depending on the cabinetry depth.
- The electrical and gas supply should be within the zones shown in the following diagrams.
- Any openings in the wall behind the range and in the floor under the range must be sealed.
- Always keep the appliance area clear and free from combustible materials, gasoline and other flammable vapors and liquids.
- Do not obstruct the flow of combustion and ventilation air to the unit.

CLEARANCE DIMENSIONS	OR30S GAS GAS	OR30S DUAL FUEL
	inches (mm)	inches (mm)
A Minimum width of ventilation hood installed above range	30" (762)	30" (762)
B Minimum vertical distance between countertop and cabinet extending above counter	18" (457)	18" (457)
C Minimum clearance from left and right edge of range to nearest vertical combustible surface	11 13/16" (300)	11 13/16" (300)
D Minimum clearance from cooking surface to: - Overhead cabinet centered above the cooktop (combustible/unprotected)* - see notes #1, #2 - Overhead cabinet centered above the cooktop (non-combustible/protected)* - see notes #1, #2 - Ventilation hood** centered above the cooking surface	36" (914) 30" (762) 30" (762)	36" (914) 30" (762) 30" (762)
E Maximum depth of overhead cabinetry	13" (330)	13" (330)
F Width of cabinetry opening	30" (762)	30" (762)
G Maximum height of cabinetry immediately adjacent to the range (from floor to countertop)***	37 1/2" (953)	37 1/2" (953)
H Maximum depth from wall to cabinetry face	25 1/4" (641)	25 1/4" (641)

* Non-combustible surfaces: as defined in 'National Fuel Gas Code' (ANSI Z223.1, Current Edition). Clearances from non-combustible materials are not part of the ANSI Z21.1 scope and are not certified by UL.

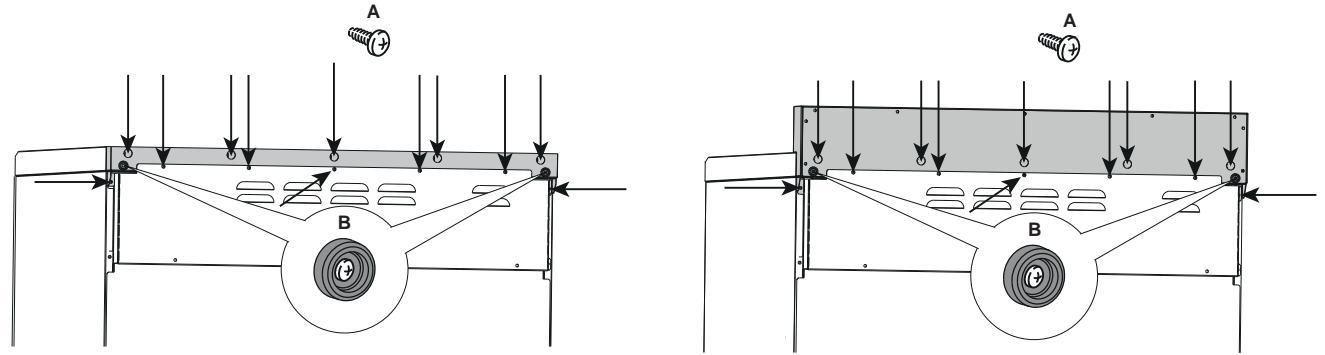
** Refer to local/national codes for ventilation requirements.

*** Depending on the height of the feet adjustment. The cooking surface must sit flush or above countertop level.

8 FITTING THE OPTIONAL BACKGUARD

Island trim and backguard

- It is mandatory to install and use the appliance with either the island trim or the optional backguard correctly in place.
- The island trim is already fitted to the appliance while the backguard can be purchased as a separate kit.
- If replacing the island trim with the backguard, assemble it by using the same screws/spacers used for fixing the island trim.



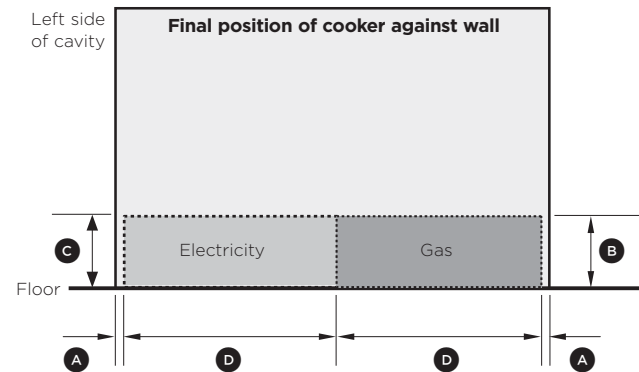
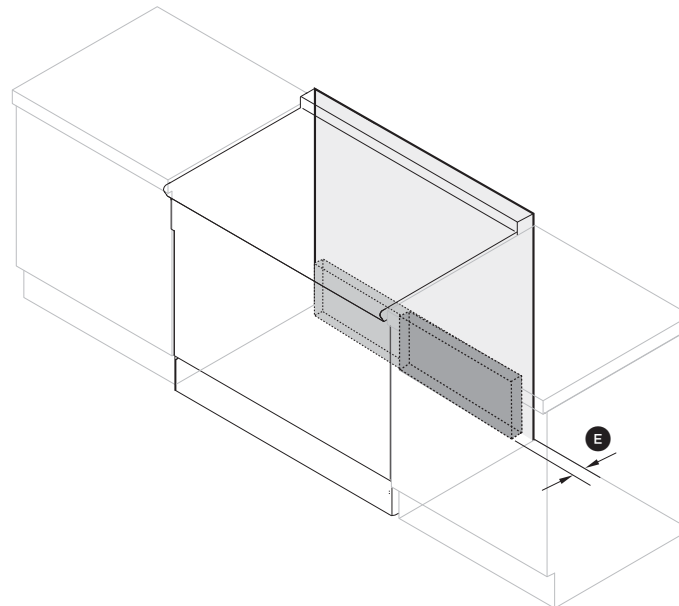
9 LOCATION OF ELECTRICAL & GAS SUPPLY

Grounded outlet (Gas Gas)

- The electric cord with 3-prong ground plug (NEMA 5-15P) has a length of 72" (1830mm).

Grounded outlet (Dual Fuel)

- The electric cord with 4-prong ground plug (NEMA 14-50P) shall have a minimum length of 48" (1220mm) beyond the back of the range.



SUPPLY AREA DIMENSIONS		inches (mm)
(A)	Distance from either edge of Range to supply area	3/16" (5)
(B)	Height of gas supply area (from floor)	2 15/16" - 4 15/16" * (75-125)*
(C)	Height of electrical supply area (from floor)	2 3/16" - 4 1/8" * (55-105)*
(D)	Width of gas and electrical supply areas	14 3/4" (375)
(E)	Depth of supply area (ie maximum protrusion of gas and electrical connection from wall)	3 15/16" (100)

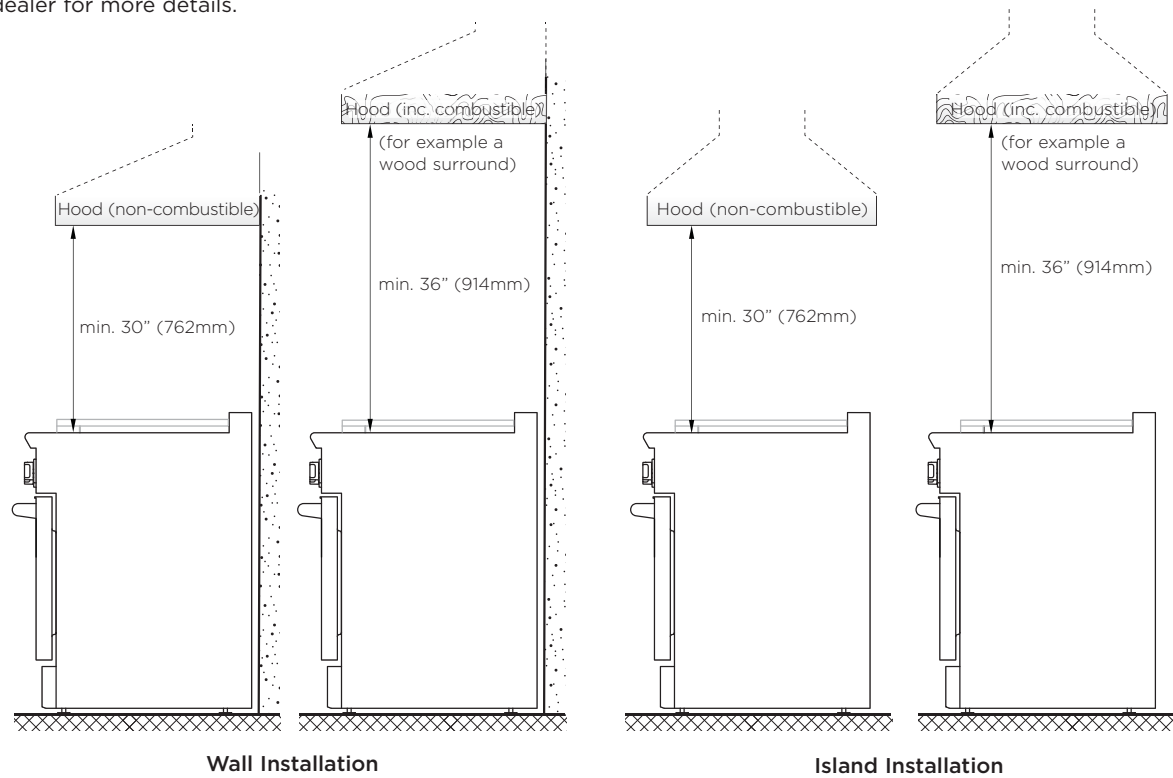
* Depending on adjustment of feet

10 VENTILATION REQUIREMENTS

A suitable ventilation hood may be installed above the range.

Fisher & Paykel has a choice of ventilation hoods designed to match the rest of our kitchen appliance family.

See fisherpaykel.com or your local dealer for more details.



IMPORTANT

- Consult local building codes and/or local agencies, before starting, to ensure that hood and duct installation will meet local requirements.
- Hood blower speeds should be variable to reduce noise and loss of heated or air conditioned household air when maximum ventilation is not required. Normally, the maximum blower speed is only required when using the grill or the self-cleaning cycle.
- If a custom hood canopy contains any **combustible materials** (eg a wood covering) it must be a minimum of 36" (914mm) above the cooking surface.
- Due to a high volume of ventilation air, a source of make-up air (outside replacement air) that complies with local codes and regulations is required.

11 FITTING THE ADJUSTABLE FEET

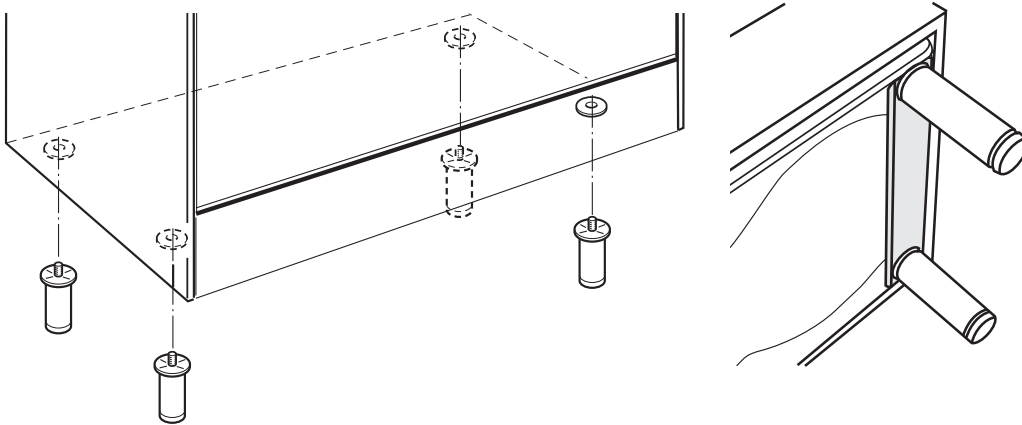
Fitting the adjustable feet

The adjustable feet must be fitted to the base of the range before use. Rest the rear of the range on a piece of the polystyrene packaging exposing the base for the fitting of the feet.

IMPORTANT

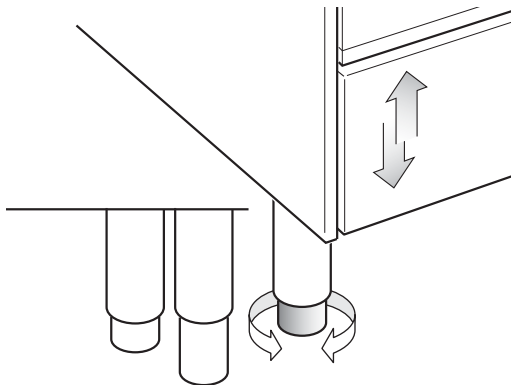
Take care not to damage the range during this operation.

Fit the four legs by screwing them tight into the support base as shown.



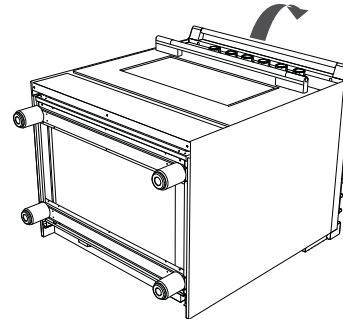
Levelling the range

- The range may be levelled by screwing the lower ends of the feet IN or OUT.
- Small adjustments may be made to the range in the upright position, however it may be necessary to tip the range again to make larger adjustments.

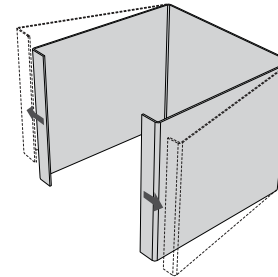


Fitting the adjustable feet covers (optional)

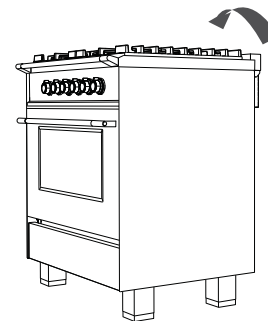
If using the adjustable feet covers fit these while the range is tipped over.



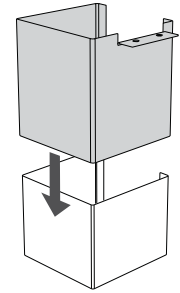
- 1 Tip range onto its back to expose foot cover mounting hole locations.



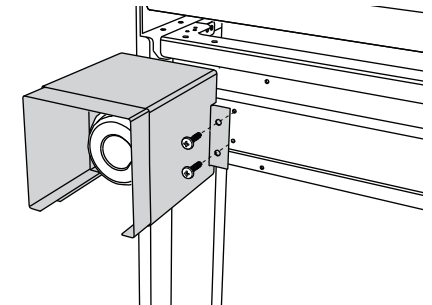
- 3 Note: gently bend the edges of the inner cover to adjust the tension between the two parts if needed.



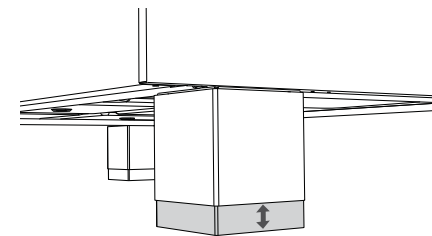
- 5 Stand range back upright.



- 2 Assemble the feet covers by slotting the inner cover inside the outer cover.



- 4 Attach the feet covers to the base of the range using the supplied screws. Ensure that the mounting brackets are aligned with the mounting holes in the base of the range.

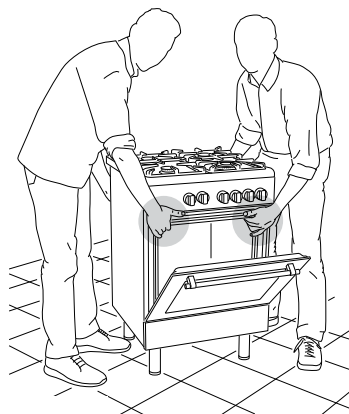


- 6 Adjust the inner panels of the foot covers to suit the height of the range feet as necessary.

12 MOVING THE RANGE

IMPORTANT!

- When raising the range to upright position always ensure two people carry out this manoeuvre to prevent damage to the adjustable feet.
- Be careful: do not lift the range by the oven door handle, the hob rail or the cooktop trim as this may damage the appliance.
- When moving range to its final position DO NOT DRAG. Lift feet clear of floor.



13 INSTALLING THE COOKTOP FRONT GUARD

Models without hob rail only

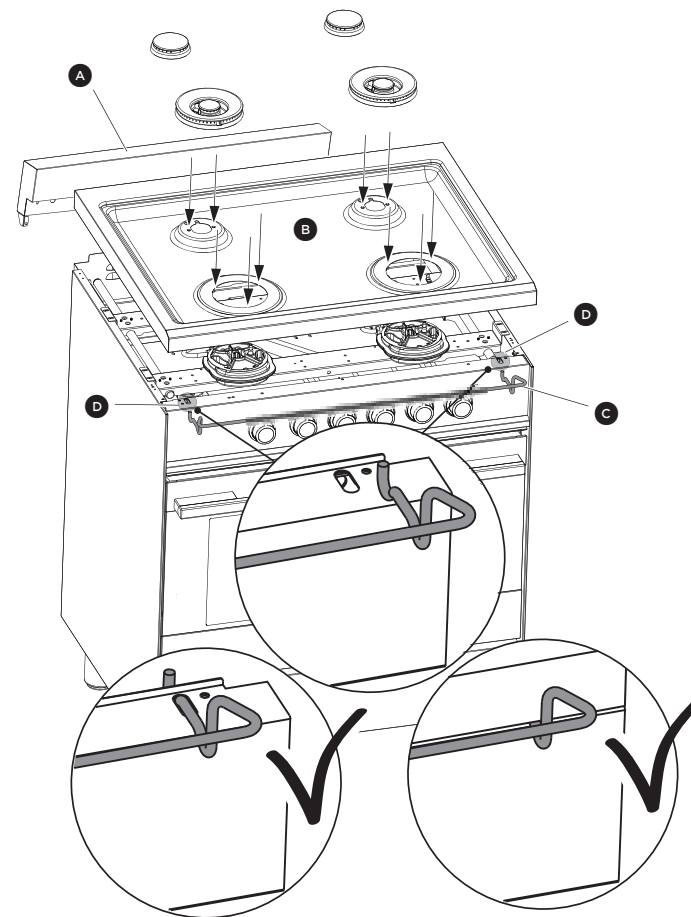
To increase the clearance between the front edge of the cooktop and the burners it is possible to install the cooktop front guard supplied with the appliance.

IMPORTANT

To install or remove the guard it is necessary to remove the cooktop. Attempting to install or remove the guard without disassembling the cooktop will result in permanent damage to the appliance.

Install the front guard as shown:

- 1 Remove the backguard or island trim **A** (see 'Fitting the optional backguard')
- 2 Remove the grates, the burner caps and the flame spreaders.
- 3 Unscrew cooktop fixing screws **B**.
- 4 Remove the cooktop. Note: Take extra care not to damage the gaskets fitted above the burner cups (below the cooktop). If they are damaged they must be replaced.
- 5 Install the front guard **C** by inserting the wire terminals into the corresponding holes above the control panel **D**.
- 6 Reassemble the cooktop and the other components.
Note: Take extra care not to damage the gaskets fitted above the burner cups (below the cooktop). If they are damaged they must be replaced.



14 INSTALLING THE ANTI-TIP BRACKET

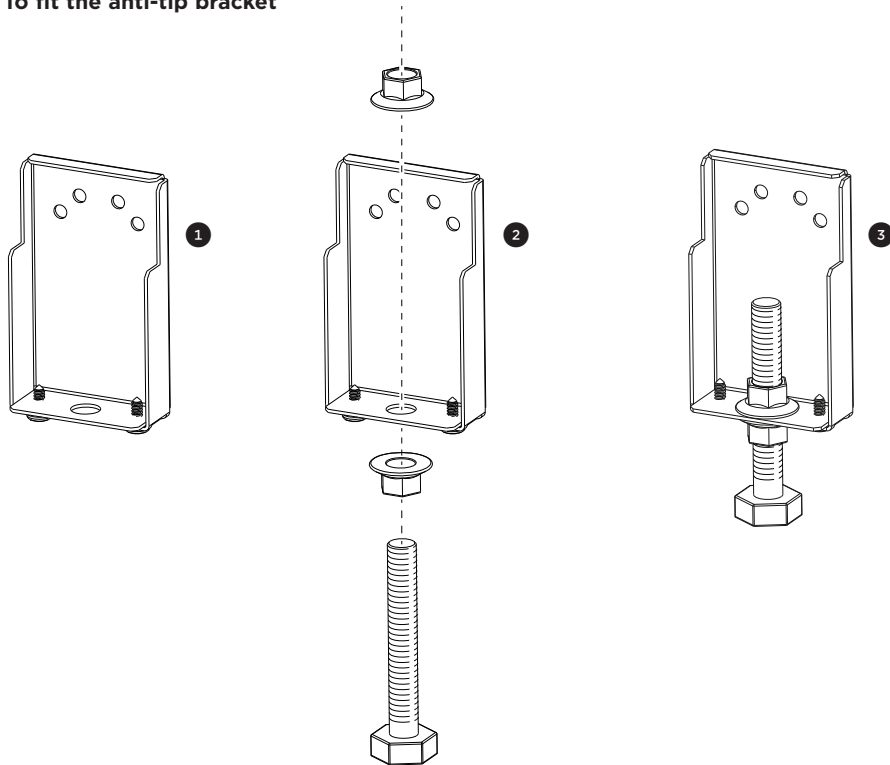
The anti-tip bracket has two components:

- the adjustable bracket
- the stability bracket

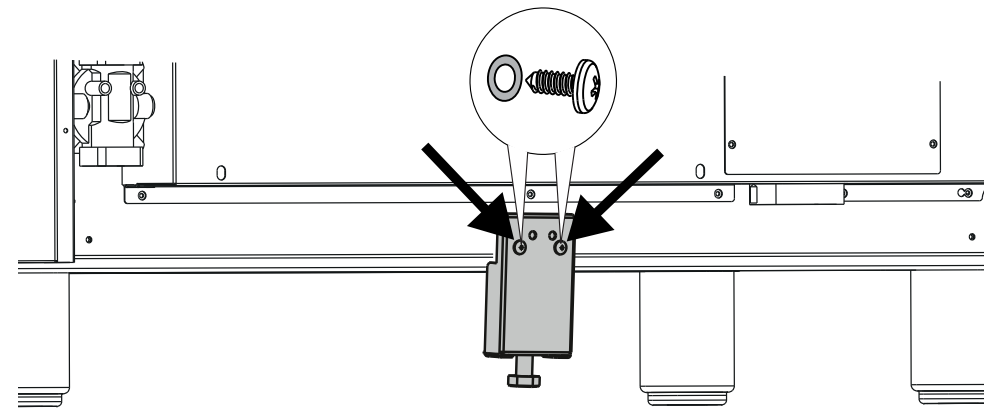
IMPORTANT!

You must install both parts of the anti-tip bracket and ensure they are properly fitted together to prevent the range from tipping.

To fit the anti-tip bracket



- ① Thread the bolt through the adjustable bracket and fix in place using the two supplied nuts. Ensure the nuts are well tightened.

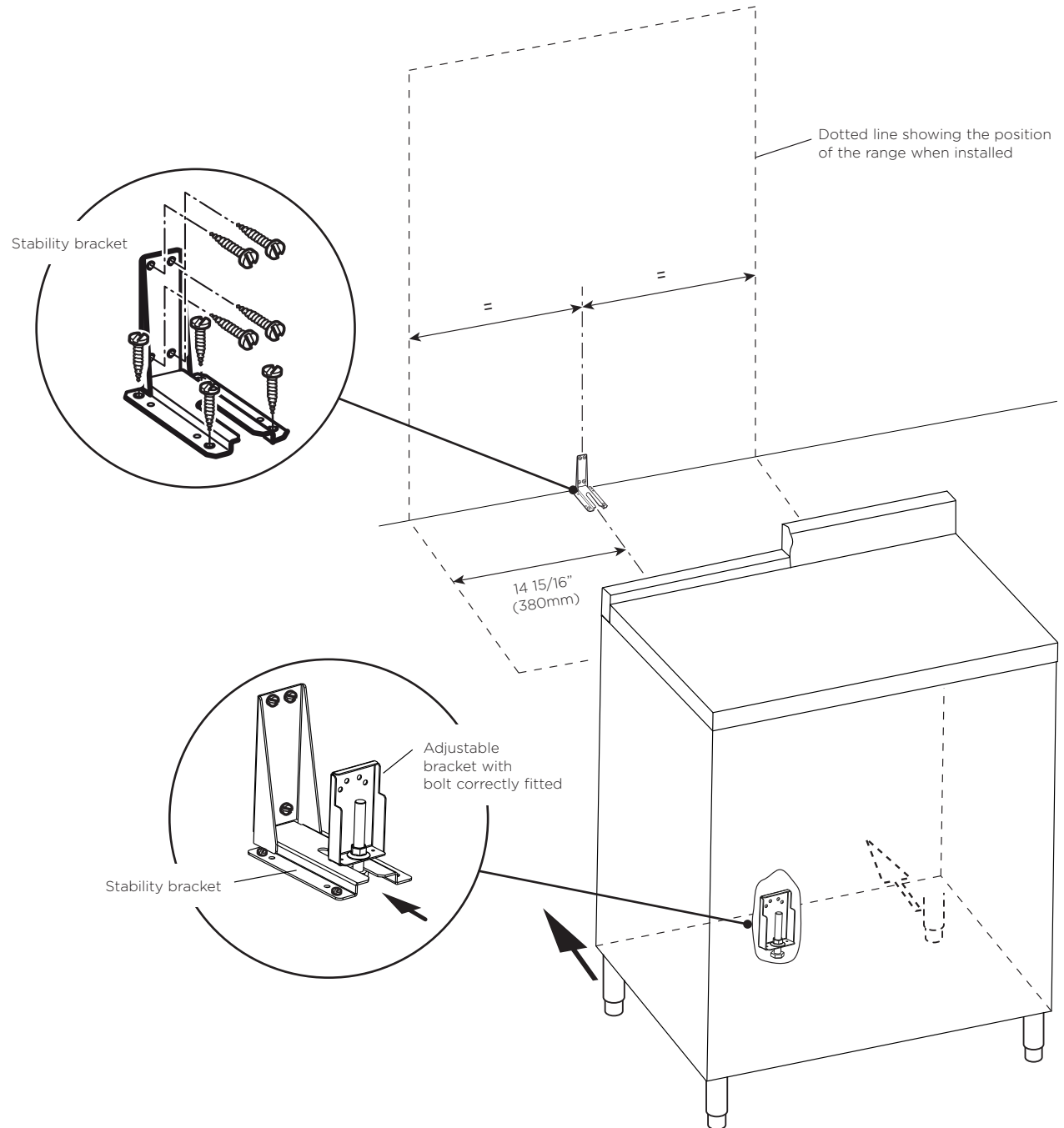


- ② Fix the adjustable bracket to the back of the range (centered on the lower edge) using the two supplied screws and washers.

- ③ Fix the stability bracket in place. It can be fixed as follows:
- To the floor OR on the rear wall by 4 screws (supplied).
 - To the floor AND on the rear wall by 8 screws (supplied).
 - There are 8 x wood screws and 8 x screws with plastic sleeve anchors supplied with the range in two separate kits. Use the proper screws according to the type of material on the floor and/or wall.
 - If using the the plastic sleeve anchors: drill 5/16" (8mm) diameter holes and insert the supplied anchors before attaching the stability bracket with the screws.
- ④ Slide the range into place, ensuring the bolt on the adjustable bracket slots under the stability bracket.
- Adjust the length of the bolt as necessary. Ensure the two nuts are well tightened after any adjustments.

IMPORTANT!

- Use the proper screws to fix the stability bracket in place according to the type of material on the floor and/or wall.
- Before drilling and holes or inserting any screws into the floor or wall check that you will not damage any wiring or pipes.



⚠ WARNING!



Electrical Shock Hazard
Plug into a grounded outlet.
Do not remove ground prong.
Do not use an adapter.
Failure to follow these instructions can result in death, fire, or electrical shock.

⚠ WARNING!
VERY IMPORTANT

Before any operation of maintenance disconnect the appliance from the electrical main supply.

OR30 Dual Fuel models ONLY

If codes permit and a separate ground wire is used, it is recommended that a qualified electrician determine that the ground path and wire gauge are in accordance with local codes.

Be sure that the electrical connection and wire size are adequate and in conformance with:

- ANSI/NFPA 70 latest edition and local codes and ordinances.
- CSA Standard C22.1, Canadian Electrical Code, Part 1 - latest edition, and all local codes and ordinances.

ONLY FOR CANADA:

A copy of the above code standards can be obtained from:

CANADIAN STANDARDS ASSOCIATION

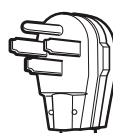
178 Rexdale Boulevard, TORONTO, ON M9W 1R3, CANADA

- Do not ground to a gas pipe.
- Check with a qualified electrical installer if you are not sure the range is properly grounded.
- Do not have a fuse in the neutral or ground circuit.
- When a 4-wire, two phase 240-208/120-volt, 60Hz, AC-only electrical supply is available, a 30 amp maximum circuit protection is required, fused on both sides of the line.
- A time-delay fuse or circuit breaker is recommended.

Recommended ground method

- This range is equipped with a Certified Power Cord intended to be plugged into a standard 14-50R wall receptacle. Be sure the wall receptacle is within reach of range's final location.
- Do not use an extension cord.
- In the case of substitution of the power cord always replace it with a suitable UL or CSA approved one (with the same technical features of the replaced cord).
- Tighten the power cord by using only the power cord strain relief bracket supplied with the appliance.
- Allow enough slack to easily attach the cord terminals to the terminal block.
- These operations must be carried out only by an authorized technician.

Standard NEMA 14-50R wall receptacle



Power supply cord with NEMA 14-50P plug

IMPORTANT!

The fourth (ground) prong should not, under ANY circumstances, be cut or removed.

OR30 Gas Gas models ONLY

If codes permit and a separate ground wire is used, it is recommended that a qualified electrician determine that the ground path is adequate.

Check with a qualified electrician if you are not sure whether the range is properly grounded.

Do Not ground to a gas pipe.

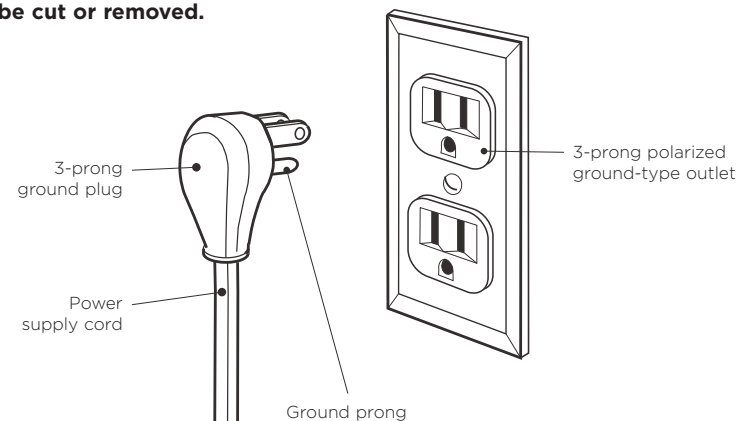
- A 120-volt, 60-Hz, AC-only, 15-ampere, fused electrical supply is required.
- A time-delay fuse or circuit breaker is recommended.
- It is recommended that a separate circuit serving only this appliance be provided.
- The outlet must be checked by a qualified electrician to see if it is wired with correct polarity.
- This appliance, when installed, must be electrically grounded in accordance with local codes.

Recommended ground method

- For your personal safety, this range must be grounded.
- This range is equipped with a 3-prong ground plug.
- To minimize possible shock hazard, the cord must be plugged into a mating 3-prong ground-type outlet, grounded in accordance with the National Electrical Code ANSI/NFPA 70 latest edition and local codes and ordinances.
- If a mating outlet is not available, it is the personal responsibility and obligation of the customer to have a properly polarized and grounded, 3-prong outlet installed by a qualified electrician.

IMPORTANT!

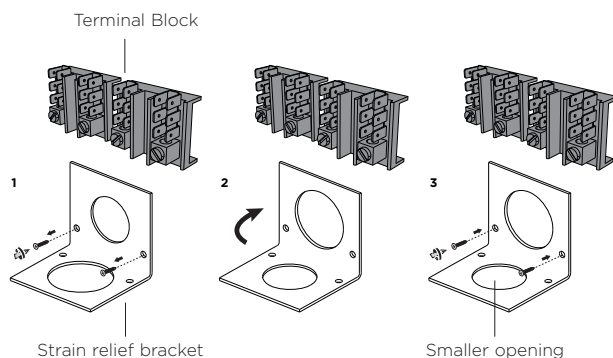
The third (ground) prong should not, under ANY circumstances, be cut or removed.



PERMANENT CONNECTION (HARD WIRING)

US only, for Canada it is mandatory to connect the range by using cordset with plug supplied.

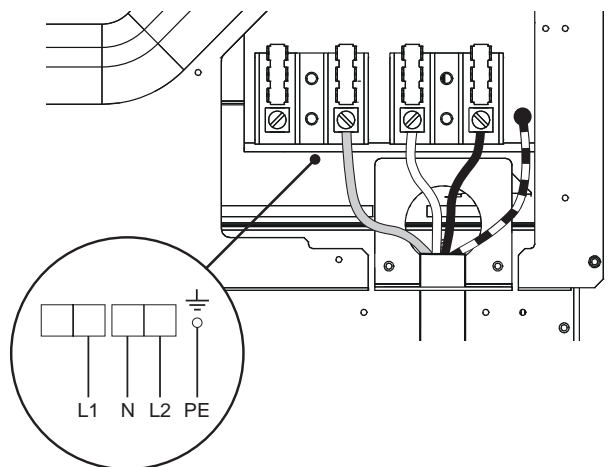
- Units may be hard wired to the power supply. The installer must provide approved flexible aluminium conduit, 3/4" (19mm) trade size, maximum 6ft (1.8m) long. Locate the terminal block on the rear of the unit and remove access cover.
- The strain relief bracket orientation must be switched in order to accommodate for a permanent wiring connection:
 - Remove the factory supplied power cord with plug.
 - Remove the 2 screws on the bracket.
 - Re-secure bracket with the 2 screws so that the 1 1/8" (29mm) smaller opening is facing down.



- The conduit must be installed to the terminal block using an approved conduit connector. The free end of the conduit must be connected to a junction box provided in the electrical supply zone.
- Mount a strain relief (not provided) into the 1 1/8" (29mm) diameter hole located below the terminal block. Wiring for the unit is to be brought into the terminal block through the conduit and through the strain relief. Make suitable connections to the terminal block provided.
- Installer — Show the owner the location of the circuit breaker. Mark it for easy reference.*

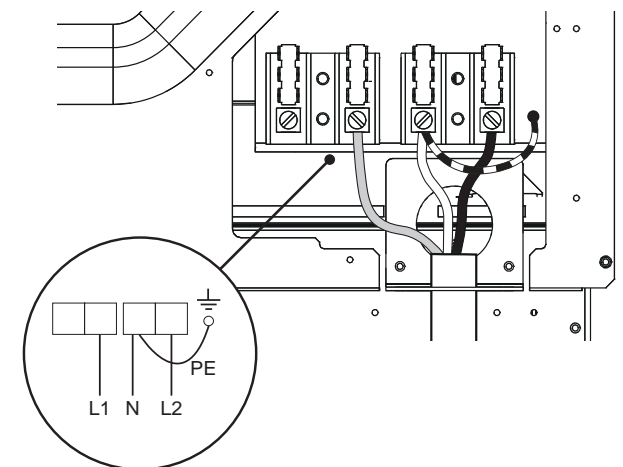
4-Wire Connection

- Loosen the L1 (red), L2 (black) and neutral (white) screws.
- Mount the conduit fitting to the 1 1/8" (29mm) hole in the strain relief bracket.
- Secure the neutral (white) power lead to the center terminal and tighten the screw.
- Secure the L1 (red) and the L2 (black) power leads to the terminals immediately to the left (L1) and right (L2) of the neutral terminal. Tighten the screws.
- Secure the Ground (green) lead to the green screw located to the right of the terminal block using the supplied cupped washer. The end of the grounding conductor must be retained by the cupped washer.
- Check all connections are securely tightened.
- Reinstall the Terminal Block cover.



3-Wire Connection (using supplied Ground lead)

- Loosen the L1 (red), L2 (black) and neutral (white) screws.
- Mount the conduit fitting to the 1 1/8" (29mm) hole in the strain relief bracket.
- Secure the supplied Ground (green) lead to the grounding screw to the right of the terminal block.
- Secure the Neutral (white) power lead together with the free end of the Ground (green) lead to the center terminal. Tighten the screw.
- Secure the L1 (red) and the L2 (black) power leads to the terminals immediately to the left (L1) and right (L2) of the neutral terminal. Tighten the screws.
- Check all connections are securely tightened.
- Reinstall the Terminal Block cover.



Gas requirements

All gas connections must be made according to national and local codes. The gas supply (service) line must be the same size or greater than the inlet line of the appliance. Sealant on all pipe joints must be resistant to the action of LP/Propane gas.

- The range is equipped for the use with NATURAL gas. It is design-certified by CSA International for NATURAL (and LP gases with appropriate conversion).
- Any conversion required must be performed by your dealer or a qualified licensed technician or gas service company. Please provide the service person with this manual before work is started on the range. (Gas conversions are the responsibility of the dealer or end user.)
- The model/serial rating plate, located below the bottom drawer, has information on the type of gas that can be used.
- If this information does not agree with the type of gas available, check with the local gas supplier.

Natural gas

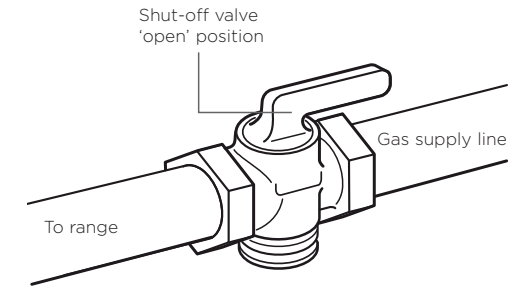
- Supply Pressure: 4" W.C.P

LP gas

- Supply Pressure: 11" W.C.P
- A regulator is required at the LP source to provide a maximum pressure of 14" W.C. to the range regulator.

Manual shut-off valve

- A manual shut-off valve must be installed in an accessible location in the gas line external to the appliance for the purpose of turning on or shutting off gas to the appliance (In Massachusetts such shutoff devices should be approved by the Board of State Examiners of Plumbers & Gas Fitters).
- This valve should be located in the same room as the range and should be in a location that allows ease of opening and closing (in a position where it can be reached quickly in the event of an emergency).
- Do not block access to the shutoff valve. The valve is for turning on or shutting off gas to the appliance.

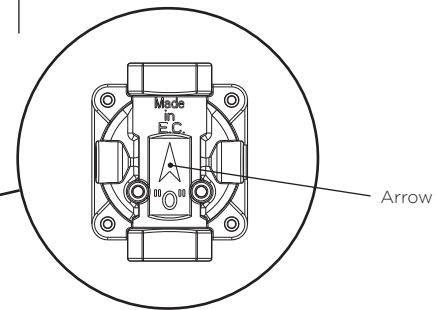
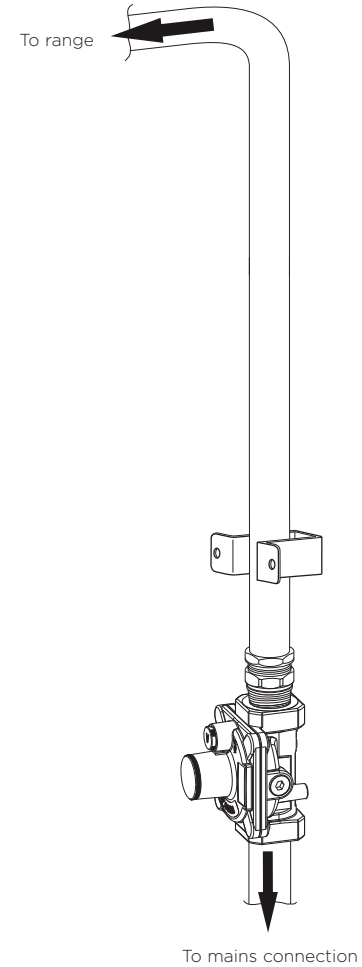
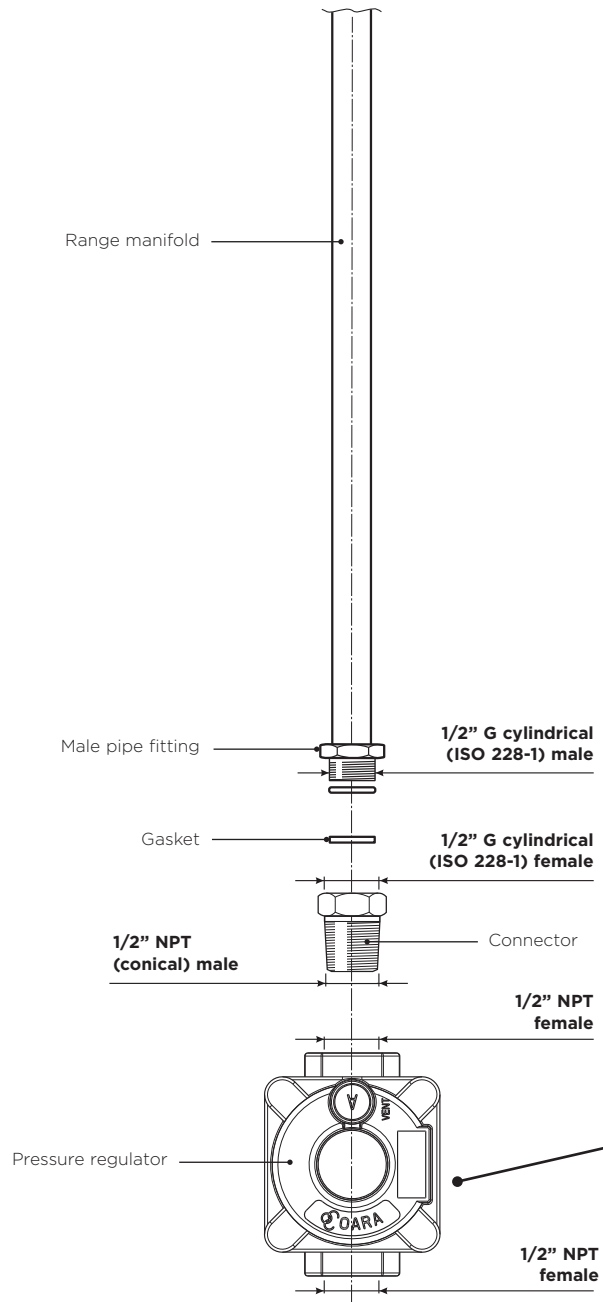


IMPORTANT!

Fisher & Paykel recommends installing the manual shutoff valve in a location readily accessible by the customer, so that gas to the appliance can be shut off in an emergency situation. However, the appliance must not be modified in any way to accommodate such placement.

- The gas supply line must not protrude beyond the back of the appliance.
- Make sure the gas supply is turned off at the wall valve before connecting the appliance.
- Leak-testing of the appliance shall be conducted according to the manufacturer's instructions. See instructions following.
- When hooking up the gas supply from the wall hard pipe to the range hard pipe, installation length of flex line between range/wall hard piping must accommodate range being pulled from wall for cleaning or servicing purposes. When range is pulled from wall, no strain should occur at range or wall hard pipe connections.

Gas connection specification

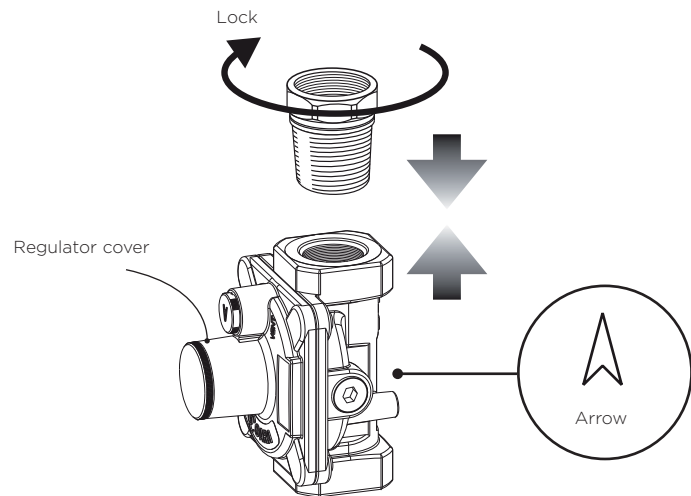


IMPORTANT!
 Check the correct positioning of the gas regulator.
 The arrow on the back of the gas regulator must be oriented toward the connector.

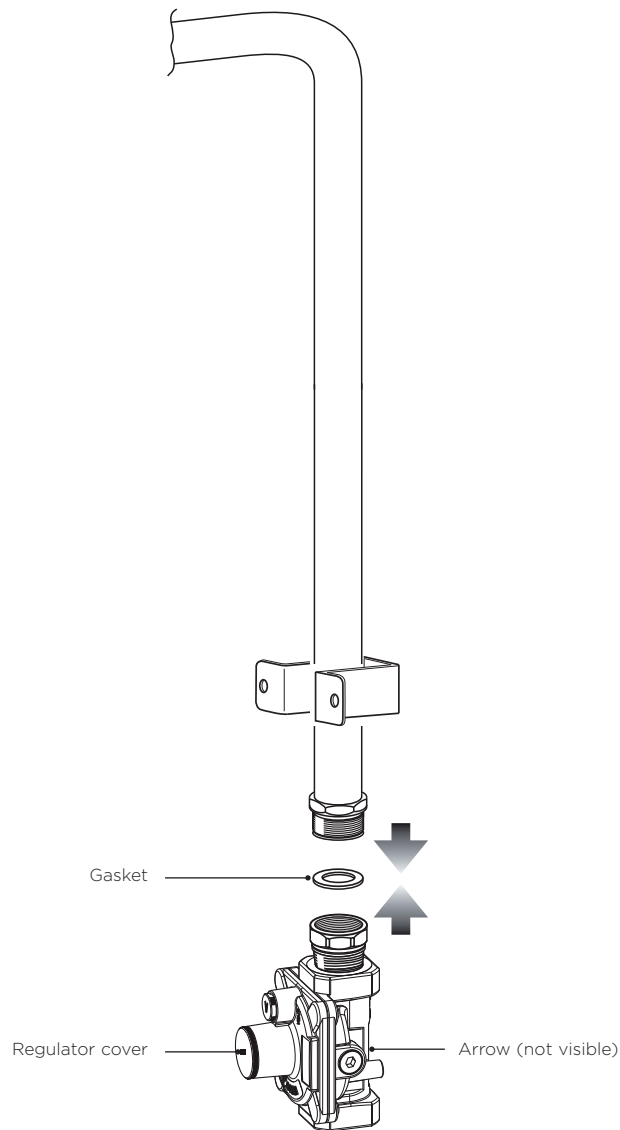
Pressure regulator installation

All heavy duty, commercial type cooking equipment must have a pressure regulator on the incoming service line for safe and efficient operation, since service pressure may fluctuate with local demand.

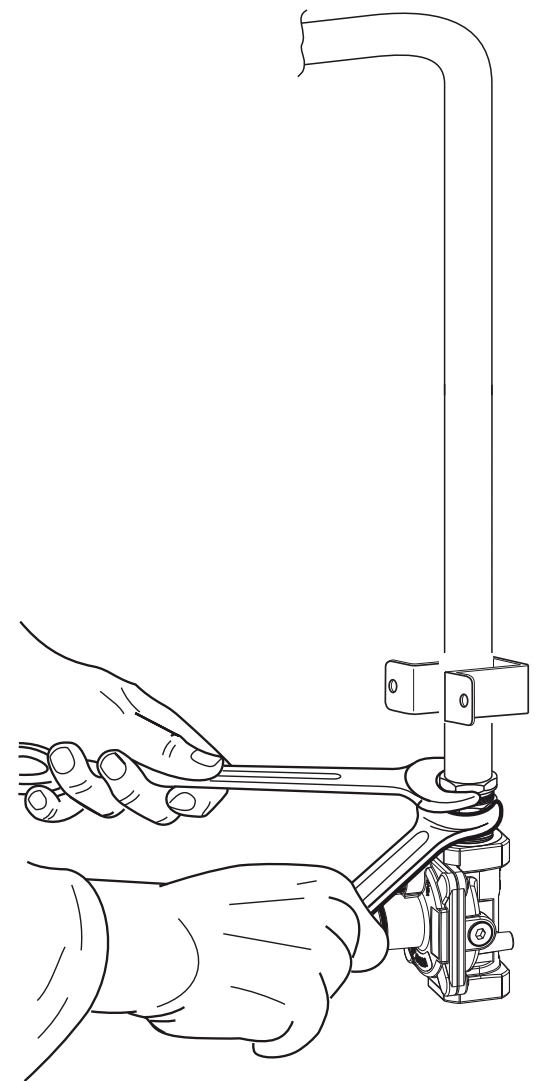
- The regulator supplied with this range must be installed before any gas connections are made.
- Use supplied pressure regulator only.



- ① Connect the 1/2" (12.7mm) NPT (conical) male connector to the pressure regulator and tighten by using a wrench. Do not over tighten the connector. Over tightening may crack regulator.



- ② Connect the 1/2" (12.7mm) NPT connector and pressure regulator group to the range manifold male pipe fitting ensuring the supplied gasket is positioned between. The regulator cover must be oriented toward the front side of the range.



IMPORTANT!
Use two wrenches to tighten the connection.

17 PRESSURE TESTING

Manifold pressure should be checked with a manometer using the following instructions:

- Remove the injector from the rear left (or rear right) burner and mount the test point adapter (available from the After-Sales service).
 - Turn the burner control knob to the maximum position.
 - Press the knob and keeping it pressed check the manifold pressure with a manometer.
- NATURAL gas requires 4.0" (101.6mm) W.C.P. and LP/PROPANE requires 11.0" (279.4mm)W.C.P.

IMPORTANT!

- **Incoming line pressure upstream from the regulator must be 1" W.C.P. higher than the manifold pressure in order to check the regulator.**
- **The regulator used on this range can withstand a maximum input pressure of 1/2 PSI (14.0" (355.6mm) W.C.P). If the line pressure is in excess of that amount, a stepdown regulator will be required.**
- **The appliance, its individual shut-off valve, and pressure regulator must be disconnected from the gas supply piping system during any pressure testing of that system at pressures in excess of 1/2 PSI (3.5 kPa).**
- **The appliance must be isolated from the gas supply piping system by closing its individual manual shut-off valve during any pressure testing of the gas supply piping system at test pressure equal to or less than 1/2 PSI (3.5 kPa). W.C. for natural gas or 12.0" for LP.**

Flexible connections

If local codes permit, CSA or UL design-certified, flexible metal appliance connector is recommended for connecting this range to the gas supply line.

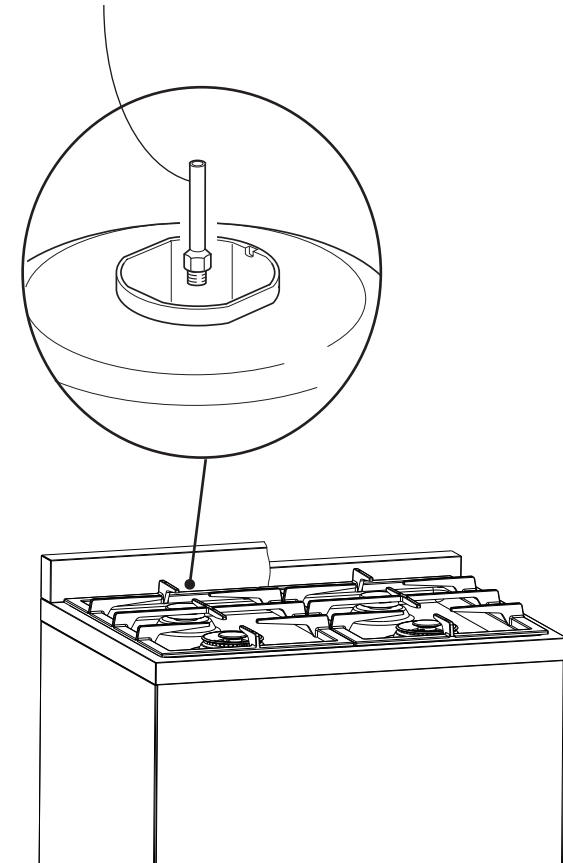
- Do not kink or damage the flexible connector when moving the range.
- The pressure regulator has 1/2" (12.7mm) NPT female pipe threads.
- You will need to determine the fittings required, depending on the size of your gas supply line, flexible metal connector and shutoff valve.

Rigid pipe connections

If rigid pipe is used as a gas supply line, a combination of pipe fittings must be used to obtain an in-line connection to the range. All strains must be removed from the supply and fuel lines so range will be level and in line.

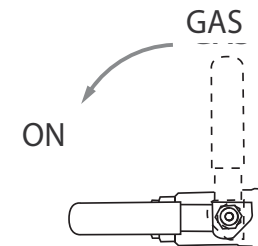
- Use joint compounds and gaskets that are resistant to action of natural or propane gas on all male pipe threads.
- Do not over tighten gas fitting when attaching to pressure regulator. Over tightening may crack regulator.

TEST POINT ADAPTER
The Test Point adapter is available from the After-Sales Service



18 LEAK TESTING

- Make sure all oven and burner knobs are set to OFF before connecting range to gas supply.
- After final gas connection is made, turn gas supply on and test all connections in gas supply piping for gas leaks with a soapy water solution.
- In order to avoid property damage or serious personal injury, never use a lighted match or open flame. If a leak is present, tighten joint or unscrew, apply more joint compound, tighten again and retest connection for leak.



Conversion to LP/Propane Gas

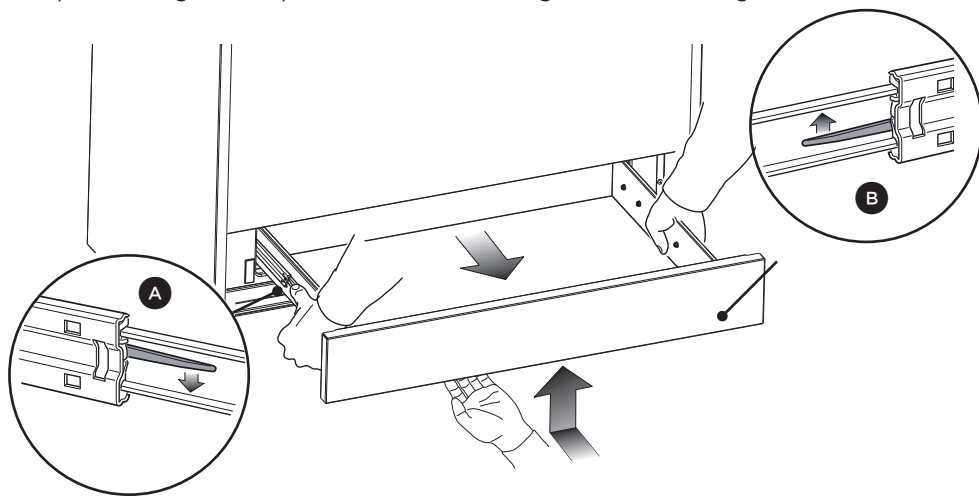
- This range can be used with NATURAL or LP/PROPANE gas. It is shipped from the factory adjusted for use with NATURAL gas.
- Any conversion required must be performed by your dealer, a qualified licensed technician or gas service company. Provide the service person with this manual before any work is started on the range. (Gas conversions are the responsibility of the dealer or end user.)
- The range is supplied with a set of injectors required for converting the range burners.
- Refer to the following table to select the appropriate size injector. The nozzle diameters (hundredths of a millimetre) are marked on the body of each injector.

IMPORTANT!

- After converting the range repeat manifold pressure testing.
- If the range has been disconnected and re-connected to the gas supply line repeat leak testing.
- After conversion to LP/PROPANE gas affix the supplied conversion label near the data plate on the product, as well as at the beginning of this manual.

Setting the pressure regulator

The pressure regulator is accessible by removing the storage/warmer drawer; the pressure regulator is positioned on the rear right side of the range C.

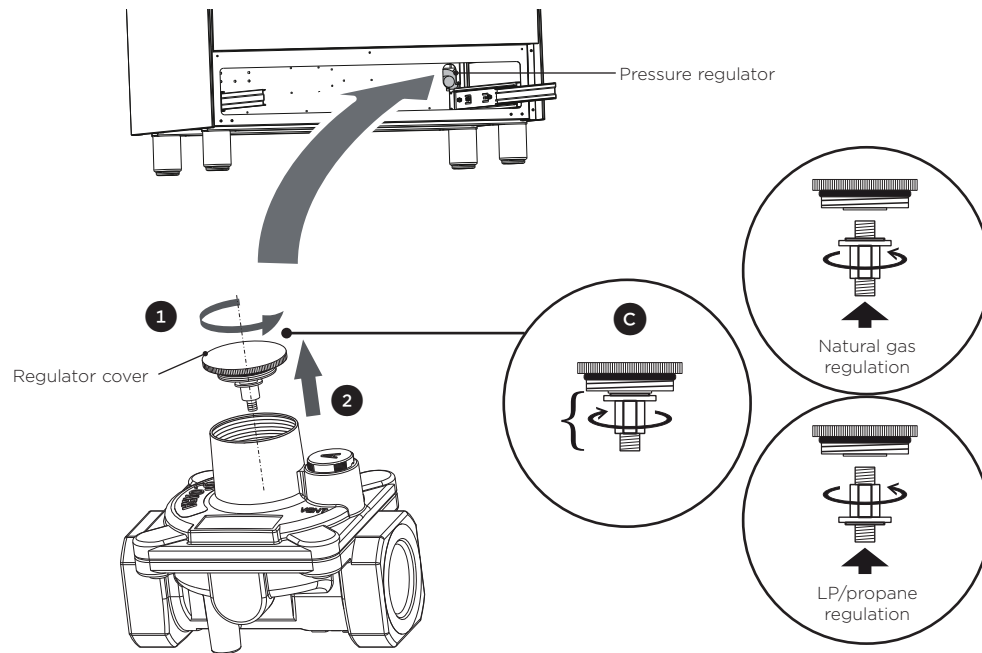


To remove the storage/warming drawer

- 1 Open the storage/warming drawer completely.
- 2 Move down the lever of left guide A and up the lever of right guide B.
- 3 Remove the drawer holding the levers in the same position.

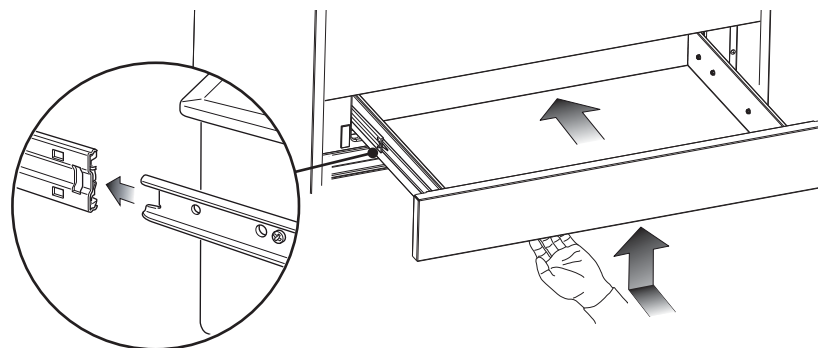
IMPORTANT

- Do not remove storage/warming drawer while hot.
- Do not remove storage/warming drawer during operation.
- Be sure storage/warming drawer is empty before removing.
- Always position your hand below the front panel to open/close the drawer.



To set the pressure regulator

- 1 Unscrew the regulator cover.
- 2 Unscrew the C component, reverse and screw it according to the LP/PROPANE (or NATURAL GAS) regulation.



To replace the storage/warming drawer

- 1 Insert the storage/warming drawer guides into the range guides.
- 2 Gently close the drawer completely; the safety catches will automatically hook into place.

Injectors table

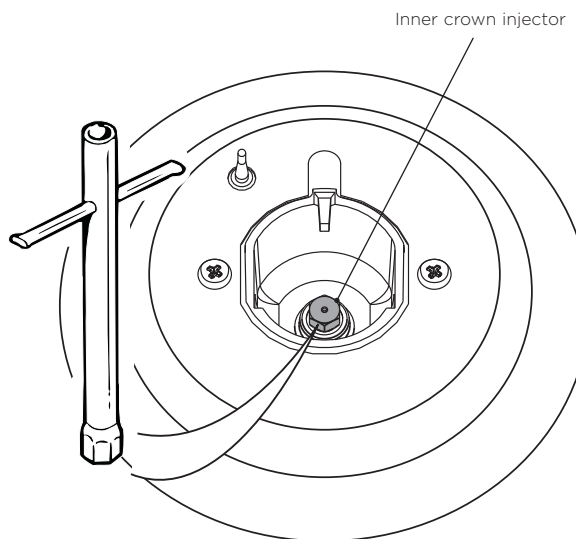
BURNERS		NOMINAL POWER	REDUCED POWER	LP/PROPANE 11" (279.4mm) W.C.P.	NATURAL GAS 4" (101.6mm) W.C.P.
		BTU/HR	BTU/HR	Ø INJECTOR [1/100 MM]	Ø INJECTOR [1/100 MM]
Semirapid (SR)		7600 (LP/Propane Gas)	1800	78	-
		8000 (Natural Gas)	1800	-	136
Dual (D)	Inner crown	2800 ¹	1100 ¹	47 ³	80 ³
	Full burner	18000 ²	6500 ²	79 (x2) ⁴	135 (x2) ⁴
OR30 GAS GAS MODELS ONLY					
Oven burner		14000	2400	109	190
Broil burner		11000	-	100	170

- 1 Power calculated only with inner crown operating
- 2 Power calculated with inner and outer crown operating
- 3 Inner crown injector
- 4 Outer crown injector

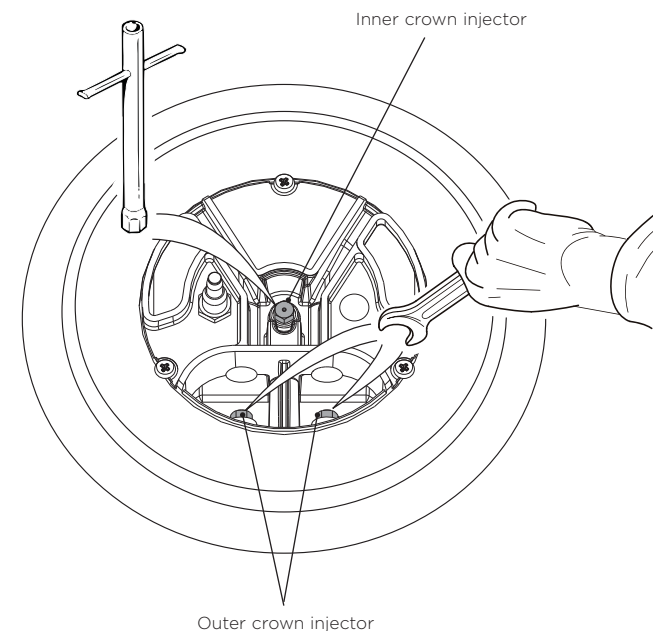
Replacing the cooktop burner injectors

- Remove the pan supports, the burner caps and the flame spreaders.
- Using a wrench substitute the nozzle injectors with those most suitable for the kind of gas for which it is to be used.
- Refit the flame spreaders, the burner caps and the pan supports.

The burners are designed so that no regulation of the primary air is required.



Semi-rapid burner



Dual burner

Adjusting the cooktop burner minimums

When switching from one type of gas to another, the minimum flow rate must also be correct:
 • The flame should not go out even when passing suddenly from maximum to minimum flame.

To regulate the flame follow these instructions:

Semi-rapid burner (A)

- Light the burner.
- Set the gas valve to **LO** position (minimum rate).
- Remove the dial.
- With a thin screwdriver, turn the regulation screw inside the tap rod until adjustment is correct.

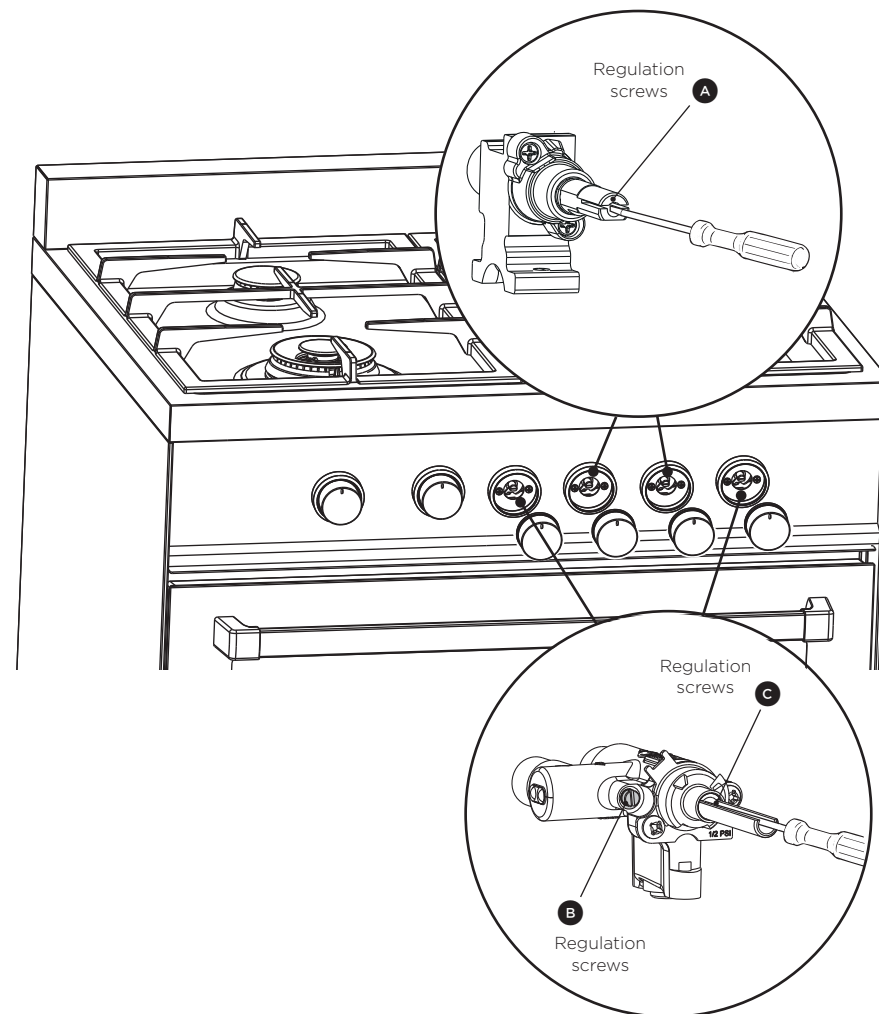
Inside crown of DUAL burner (B)

- Light the DUAL burner.
- Set the gas valve to **LO** position (minimum rate of inner crown).
- Remove the dial.
- With a thin screwdriver, turn the regulation screw until adjustment is correct.
 The screw is accessible via a hole in the microswitch.

Outside crown of DUAL burner (C)

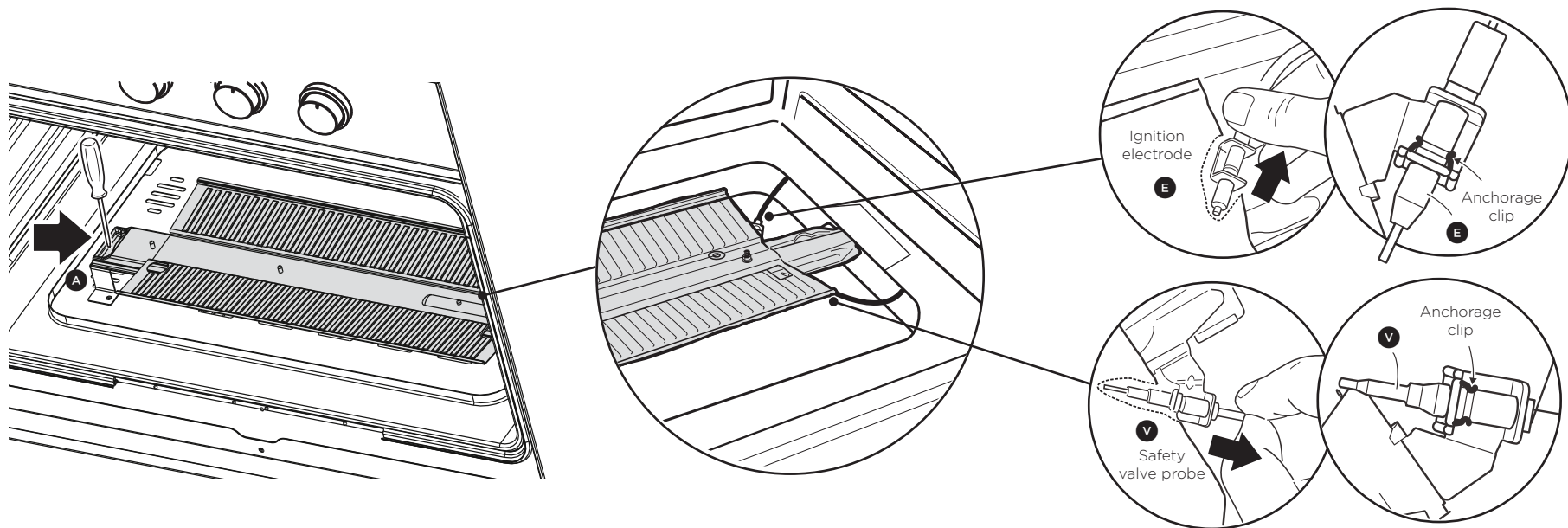
- Light the DUAL burner.
- Set the gas valve to **LO** position (minimum rate of outer crown and maximum rate of inner crown).
- Remove the dial.
- With a thin screwdriver, turn the regulation screw inside the tap rod until adjustment is correct.

For LP/PROPANE gas, tighten the adjustment screws completely.



- A Regulation screw (Semi-Rapid burner)
- B Regulation screw (Inner crown of dual burner)
- C Regulation screw (Outer crown of dual burner)

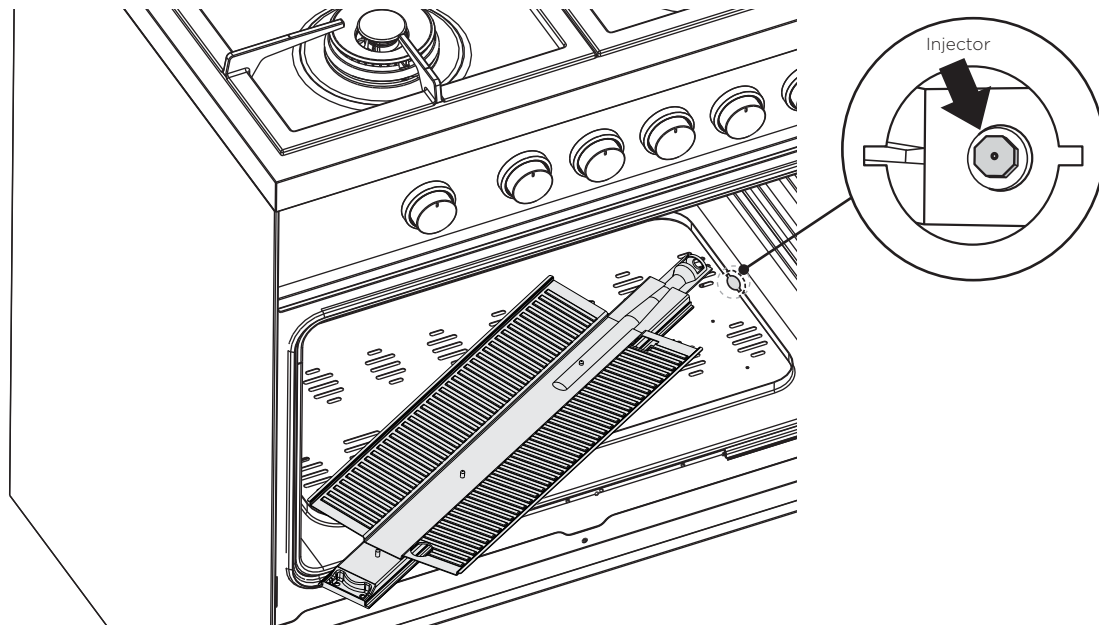
Replacing the lower oven burner injector



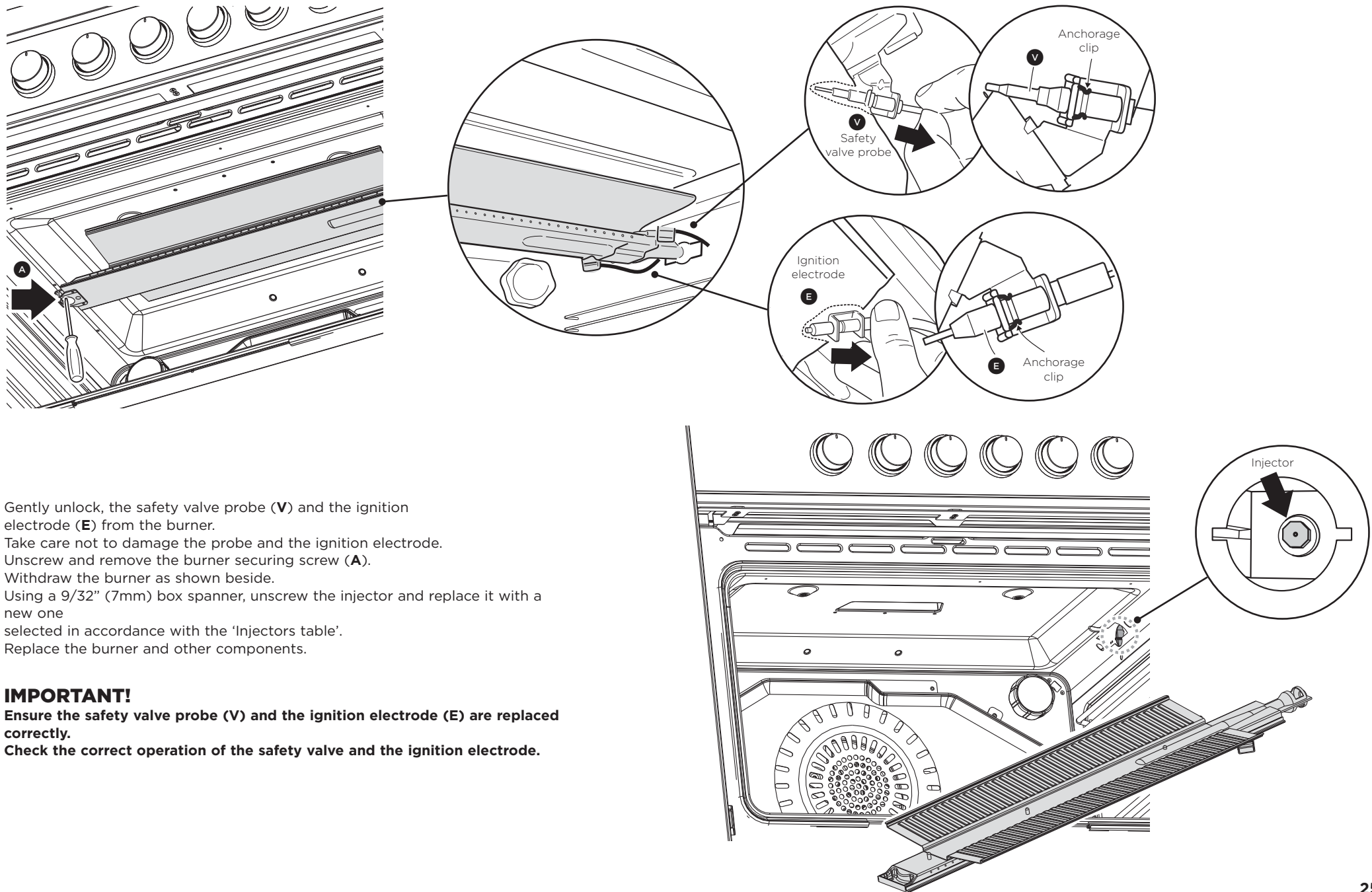
- ① Lift and remove the lower panel inside the oven.
- ② Gently unlock, the safety valve probe (V) and the ignition electrode (E) from the burner. Take care not to damage the probe and the ignition electrode.
- ③ Unscrew and remove the burner securing screws (A).
- ④ Withdraw the burner as shown.
- ⑤ Using a 9/32" (7mm) box spanner, unscrew the injector and replace it with a new one selected in accordance with the 'Injectors table'.
- ⑥ Replace the burner and other components.

IMPORTANT!

- Ensure the safety valve probe (V) and the ignition electrode (E) are replaced correctly.
- Check the correct operation of the safety valve and the ignition electrode.



Replacing the oven broil burner injector



- ① Gently unlock, the safety valve probe (V) and the ignition electrode (E) from the burner.
Take care not to damage the probe and the ignition electrode.
- ② Unscrew and remove the burner securing screw (A).
- ③ Withdraw the burner as shown beside.
- ④ Using a 9/32" (7mm) box spanner, unscrew the injector and replace it with a new one selected in accordance with the 'Injectors table'.
- ⑤ Replace the burner and other components.

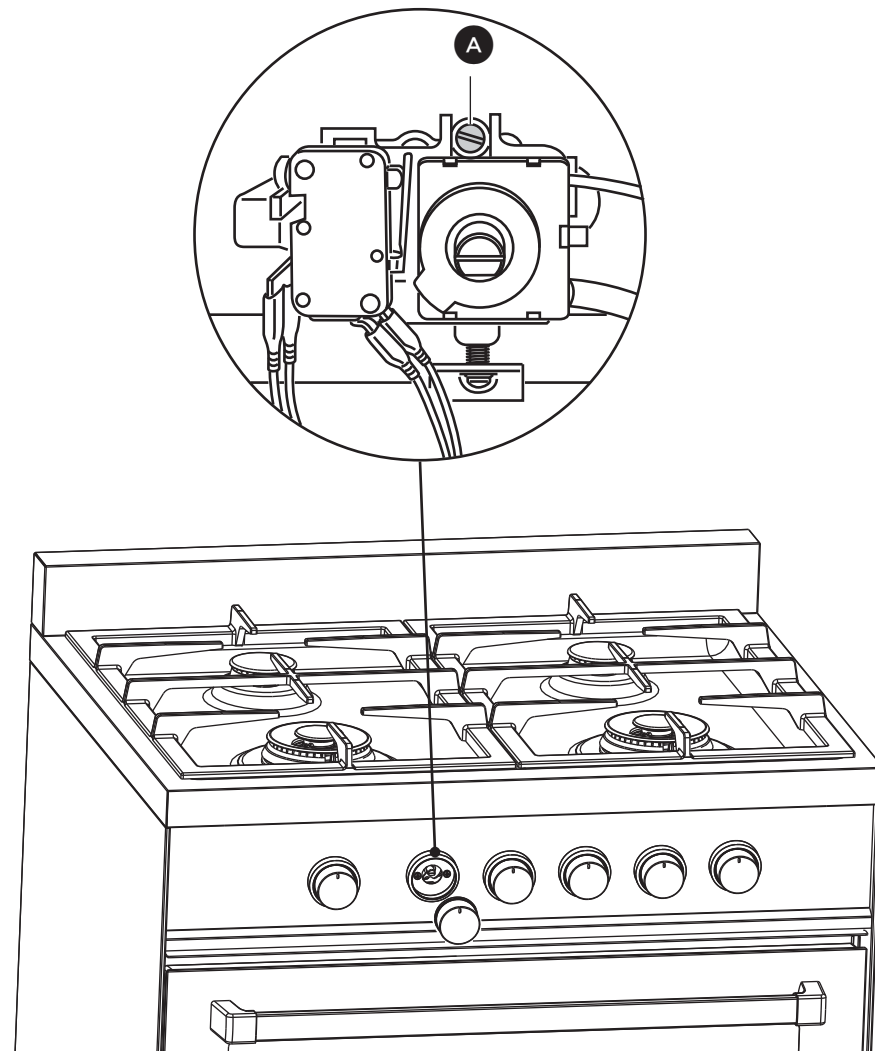
IMPORTANT!

- Ensure the safety valve probe (V) and the ignition electrode (E) are replaced correctly.
- Check the correct operation of the safety valve and the ignition electrode.

Adjusting the lower oven burner minimum

- ① Turn on the burner by setting the oven dial the highest temperature setting.
- ② Remove the dial and unscrew the by-pass screw (A) about three times by passing a small flat screwdriver (Ø1/8" (3mm) blade, 3 15/16" (100mm) length) through the panel opening.
- ③ Re-mount the dial and let the oven heat up for about 10 minutes, then bring the dial to the lowest temperature setting. to operate the thermostat by-pass.
- ④ Remove the dial again. Taking care not to turn the tap rod, slowly screw the by-pass screws (A) until you obtain a flame of 1/8-5/32" (3-4mm) in height. The flame should not go out even when passing suddenly from maximum to minimum flame.

NOTE: For LP/PROPANE gas the by-pass screw must be fixed thoroughly.



20 FINAL CHECKLIST

✓ TO BE COMPLETED BY THE INSTALLER

GENERAL

- Placement of unit.
- Specified clearance maintained to cabinet surfaces.
- Unit Level - front to back, side to side.
- All packaging material and tie straps removed.
- Island trim or optional backguard correctly attached.
- The anti-tip bracket is correctly installed.

ELECTRICAL

- Adequate ground connection.

GAS SUPPLY

- Site gas supply is compatible with range model, and sufficient pressure is available (see section 'Gas connection').
- The pressure regulator is connected and correctly set for 4.0" (101.6mm) W.C.P. for NATURAL gas or 11.0" (279.4mm) W.C.P. for LP/PROPANE gas.
- Manual gas shut-off valve installed in an accessible location.
- Unit tested and free of gas leaks.

OPERATION

- All internal packing materials removed. Check below the cooktop grates and inside the oven.
- If used on LP gas, verify that the pressure regulator, cooktop burner injectors and oven burner injectors (Gas Gas models only) have been set for use with LP gas.
- Dials turn correctly and freely.
- Each burner lights satisfactorily, both individually and with other burners operating at the same time.
- Oven ignition can be achieved (Gas gas models only)
- Oven door hinges seated and door opens and closes properly.
- Cooktop grates are correctly positioned, level, and do not rock.
- Cooktop burner flame correct.

Complete and keep for safe reference:

Model _____

Serial No. _____

Purchase Date _____

Purchaser _____

Dealer Address _____

Installer's Name _____

Installer's Signature _____

Installation Company _____

Installation Date _____

FISHERPAYKEL.COM

Copyright © Fisher & Paykel Appliances 2018. All rights reserved.
The product specifications in this booklet apply to the specific products and models described at the date of issue. Under our policy of continuous product improvement, these specifications may change at any time. You should therefore check with your Dealer to ensure this booklet correctly describes the product currently available.

F I S H E R & P A Y K E L

C U I S I N I È R E N O N E N C A S T R É E

Modèles au gaz et mixtes OR30

GUIDE D'INSTALLATION

CA

591506C / 1105556-β2 07.18

⚠ MISE EN GARDE!

Le fait de ne pas suivre toutes les instructions de ce manuel peut provoquer un incendie ou une explosion causant des dommages matériels, des blessures ou la mort.

Ne rangez et n'utilisez pas de l'essence ou d'autres liquides et vapeurs inflammables à proximité de cet appareil ou de tout autre appareil.

N'utilisez JAMAIS cet appareil pour chauffer une pièce. Il pourrait causer un empoisonnement au monoxyde de carbone et surchauffer.

QUE FAIRE SI VOUS DÉCELEZ UNE ODEUR DE GAZ :

- Ne tentez d'allumer aucun appareil.
- Ne touchez à aucun interrupteur électrique.
- N'utilisez aucun téléphone dans l'édifice.
- Appelez immédiatement votre fournisseur de gaz en utilisant le téléphone d'un voisin. Suivez les consignes du fournisseur de gaz.
- S'il vous est impossible de joindre votre fournisseur de gaz, appelez le service d'incendie.

L'installation et l'entretien doivent être effectués par un installateur qualifié, un centre d'entretien ou le fournisseur de gaz.

① CONSIGNES DE SÉCURITÉ ET MISES EN GARDE

⚠ MISE EN GARDE!



Risque de choc électrique

Avant de procéder à tout travail sur la section électrique de l'appareil, vous devez déconnecter celui-ci de l'alimentation électrique. La connexion à un système de mise à la terre convenable est absolument essentielle et obligatoire. Les modifications au système de câblage domestique doivent être effectuées uniquement par un électricien qualifié. Le non-respect de cette consigne peut entraîner un choc électrique ou la mort.

⚠ MISE EN GARDE!



Risque de coupure

Attention, certains bords sont tranchants. Des blessures ou des coupures peuvent survenir si vous ne faites pas preuve de prudence.

⚠ MISE EN GARDE!



Risque de basculement

Un enfant ou un adulte peut faire basculer la cuisinière et être tué.

- Installer le dispositif anti-basculement sur la portée et / ou la structure par installation instructions.
- Engager la portée sur l'anti-bascule installé sur le structure.
- Réengager le dispositif anti-basculement si la cuisinière est déplacée.

Le non-respect de ces instructions peut entraîner la mort ou des brûlures graves chez les enfants et les adultes.

La plaque signalétique du produit est apposée sous le tiroir inférieur. Pour vérifier l'étiquette, il est nécessaire de retirer le tiroir (consultez 'Réglage du régulateur de pression' pour les instructions de retrait du tiroir).

PLAQUE SIGNALÉTIQUE

ÉTIQUETTE DE CONVERSION

IMPORTANT! CONSERVEZ CES INSTRUCTIONS

Les modèles illustrés dans ce guide d'installation peuvent ne pas être disponibles dans tous les pays et sont sujets à modifications sans préavis. Pour les plus récentes informations sur la disponibilité des modèles et des caractéristiques dans votre pays, veuillez visiter notre site Web.fisherpaykel.com ou contacter votre détaillant Fisher & Paykel local.

CONSIGNES DE SÉCURITÉ IMPORTANTES!

- Conservez ces instructions pour permettre aux inspecteurs locaux de les consulter.
- Pour réduire les risques de danger, suivez attentivement ces instructions avant d'installer ou utiliser cet appareil.
- Remettez ces instructions à la personne qui installera l'appareil; cela pourrait réduire vos coûts d'installation.
- Cette cuisinière doit être installée et raccordée à l'alimentation électrique uniquement par un technicien autorisé.
- Si l'installation nécessite des modifications au système électrique domestique, appelez un électricien qualifié. L'électricien doit également vérifier que la section du câble connecteur convient à la consommation de courant électrique de la cuisinière.
- La cuisinière doit être mise à la terre.
- L'installation doit être conforme aux règlements de construction et codes d'électricité locaux.
- Cet appareil doit être installé et raccordé à l'alimentation électrique uniquement par une personne qualifiée, conformément à ces instructions d'installation et en respectant tous les règlements de construction et codes d'électricité locaux en vigueur. Le fait de ne pas installer l'appareil de façon adéquate pourrait entraîner l'annulation de toute garantie ou réclamation.
- L'installation de tout équipement alimenté au gaz doit être effectuée par un plombier autorisé. Vous devez installer un robinet d'arrêt manuel dans un endroit accessible de la conduite de gaz, à l'extérieur de l'appareil, afin de permettre l'ouverture ou la fermeture de l'alimentation en gaz à l'appareil (au Massachusetts, de tels dispositifs d'arrêt doivent être approuvés par le Board of State Examiners of Plumbers & Gas Fitters).
- Veillez à ce que l'installateur indique au client l'emplacement du robinet d'arrêt de l'alimentation en gaz.
- Si le câble d'alimentation électrique est endommagé, vous devez le faire remplacer par le fabricant, un agent de service ou une personne possédant des compétences similaires afin d'éviter tout danger.
- Un disjoncteur est recommandé.
- N'utilisez pas d'adaptateurs, de raccords réducteurs ou de dispositifs de branchement pour raccorder le four à l'alimentation électrique, car ils pourraient causer une surchauffe et des brûlures.
- Les travaux d'installation, de modification, de maintenance ou d'entretien incorrects peuvent causer des dommages matériels, des blessures ou la mort. Lisez attentivement les instructions d'installation, d'utilisation et d'entretien avant d'utiliser, installer ou effectuer l'entretien de cet appareil.
- L'appareil pourrait basculer s'il n'est pas installé conformément aux instructions d'installation.
- N'obstruez PAS la circulation d'air de combustion ou de ventilation de l'appareil. Veillez à ce qu'une alimentation en air frais soit disponible.
- Proposition 65 de la Californie - La combustion de combustibles de cuisson génère des sous-produits qui sont reconnus par l'État de Californie comme étant cancérigènes ou sources d'anomalies congénitales. Les lois de Californie exigent que les entreprises avertissent les clients de l'exposition potentielle à de telles substances. Pour minimiser l'exposition à ces substances, faites toujours fonctionner l'appareil conformément aux instructions du fabricant et assurez une ventilation adéquate dans la pièce lorsque vous cuisinez au gaz.
- Consultez les codes locaux du bâtiment pour connaître la méthode d'installation appropriée de la cuisinière. Les codes locaux peuvent varier. L'installation, les raccordements électriques et la mise à la terre doivent être conformes à tous les codes applicables. En l'absence de codes locaux, la cuisinière doit être installée conformément à la dernière édition du National Fuel Gas Code ANSI Z223.1 et au Code national de l'électricité ANSI/NFPA 70.
- Au Canada : L'installation doit être effectuée en conformité avec les normes CAN/CGA B149.1 et 2 en vigueur des Codes d'installation de gaz et/ou les codes locaux. L'installation électrique doit être effectuée en conformité avec la norme CSA C22.1 en vigueur du Code canadien de l'électricité, Première partie, et/ou les codes locaux.
- Assurez-vous que l'appareil à installer est configuré pour le type de gaz utilisé. La cuisinière au gaz est réglée en usine pour fonctionner au gaz naturel. Elle peut être convertie pour l'utilisation avec du gaz de pétrole liquéfié (propane) en suivant les instructions dans ce manuel.
- Certains modèles sont livrés avec une pellicule protectrice sur les pièces en aluminium et en acier. Retirez cette pellicule avant d'installer/utiliser l'appareil.
- L'appareil ne doit pas être installé derrière une porte décorative pour éviter une surchauffe.

INFORMATIONS D'INSTALLATION GÉNÉRALES

Installation dans une maison préfabriquée (mobile)

L'installation doit être effectuée conformément à la norme Manufactured Home Construction and Safety Standard, Titre 24 CFR, Partie 3280 [anciennement Federal Standard for Mobile Home Construction and Safety, Titre 24, HUD (Partie 280)] ou, lorsqu'une telle norme est inapplicable, à la norme Standard for Manufactured Home Installations, ANSI/NCSBCS A225.1, ou aux codes locaux en vigueur.

Installation dans une caravane de parc

L'installation doit être effectuée conformément aux codes de l'État et autres codes, ou en l'absence de tels codes, à la norme Standard for Recreational Park Trailers, ANSI A119.5.

- Pour réduire les risques de brûlure ou d'incendie, évitez de ranger des objets dans les armoires situées au-dessus des éléments de surface.
- Les rideaux d'air ou autres hottes suspendues, qui fonctionnent en soufflant un débit d'air descendant sur une cuisinière, ne doivent pas être utilisés conjointement avec des cuisinières au gaz, à moins que la hotte et la cuisinière aient été conçues, testées et homologuées par un laboratoire d'essai indépendant pour l'utilisation en combinaison.

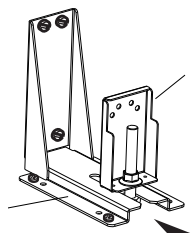
Nettoyage et entretien

- Les travaux d'entretien ou de réparation doivent être effectués uniquement par un technicien autorisé/qualifié.
- Déconnectez l'alimentation électrique de l'appareil avant de procéder à l'entretien.
- Lors du retrait de l'appareil pour le nettoyage et/ou l'entretien :
 - Fermez le gaz à l'alimentation principale.
 - Débranchez l'alimentation électrique CA.
 - Débranchez la conduite de gaz du tuyau d'alimentation.
 - Retirez doucement la cuisinière en la tirant vers l'extérieur.
 - ATTENTION : La cuisinière est lourde; faites preuve de prudence lors du déplacement.
 - Ne soulevez pas la cuisinière par la poignée de porte du four ou le rail.
 - L'utilisation inappropriée de la porte du four (p. ex. : monter, s'asseoir ou s'appuyer sur celle-ci) peut entraîner des risques potentiels et/ou des blessures.
- Lors de l'installation ou du retrait de la cuisinière pour une réparation, utilisez un cric de levage à roulettes.
 - Ne poussez pas sur l'un des rebords de la cuisinière pour tenter de la glisser vers l'emplacement d'installation ou hors de celui-ci.

Pièces de remplacement

Utilisez uniquement des pièces de remplacement autorisées pour effectuer l'entretien ou les réparations de la cuisinière. Des pièces de remplacement sont disponibles auprès de distributeurs de pièces autorisés par le fabricant. Contactez un distributeur de pièces dans votre région.

② PIÈCES FOURNIES POUR L'INSTALLATION



Support antibasculement (1)



Petites vis et rondelles (2)



Boulon (1)



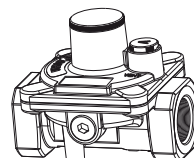
Écrous filetés (2)



Vis à bois (8)



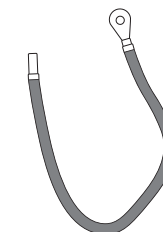
Vis et chevilles à douille en plastique (8)



Régulateur de pression (1)



Connecteur NPT 1/2" (12,7 mm) et joint d'étanchéité (1)



Fil de masse* (Connexion permanente à 3 fils)



Rondelle creuse* (Connexion permanente à 4 fils)

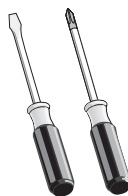
*Peut être utilisé uniquement en US, pour le Canada, il est obligatoire de connecter la cuisinière en utilisant le cordon avec la fiche fournie.

③ OUTILS REQUIS POUR L'INSTALLATION (NON FOURNIS AVEC L'APPAREIL)

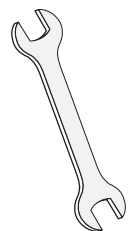
IMPORTANT!

CET APPAREIL DOIT ÊTRE INSTALLÉ PAR UN INSTALLATEUR QUALIFIÉ.

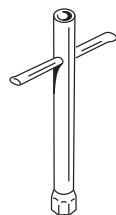
- L'installation, les réglages, les modifications, l'entretien ou les réparations peuvent être la cause de blessures corporelles ou de dommages matériels. Consultez un installateur, un agent de service ou un fournisseur de gaz qualifié.
- L'utilisation de gants et vêtements de protection est recommandée lors de la manutention ou l'installation de cet appareil.



Tournevis



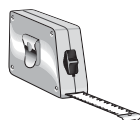
2 - Clé



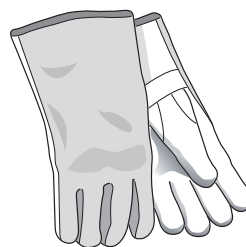
Clé à poignée en T



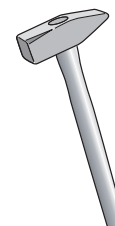
Crayon



Ruban à mesurer



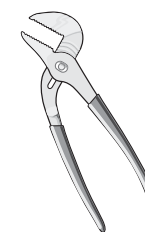
Gants de protection



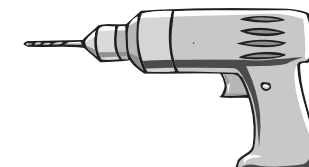
Marteau



Clé ajustable



Pincettes ajustables



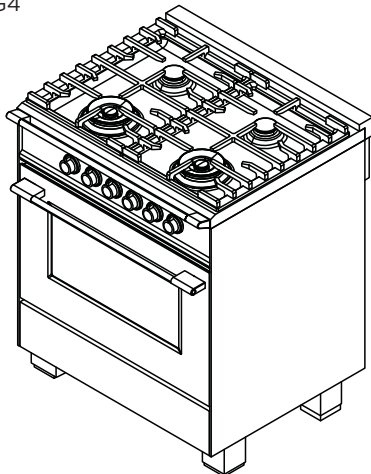
Perceuse

④ IDENTIFICATION DU MODÈLE

REMARQUE : Les caractéristiques du modèle peuvent varier

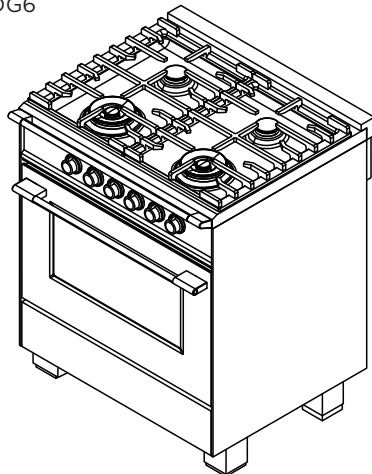
MODÈLES AU GAZ 30"

OR30SCG4
OR30SDG4



MODÈLES MIXTES 30"

OR30SCG6
OR30SDG6



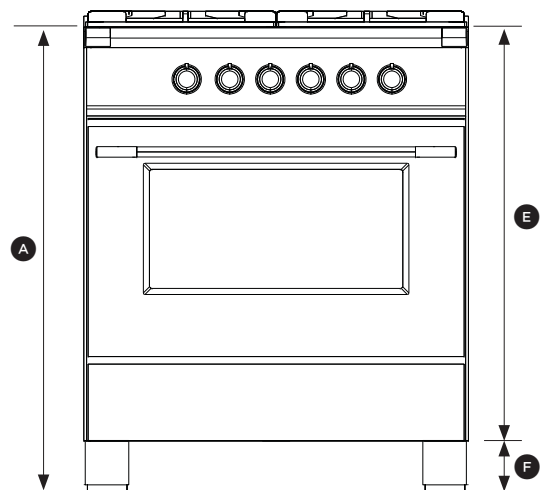
⑤ AVANT L'INSTALLATION

Déballage et manutention

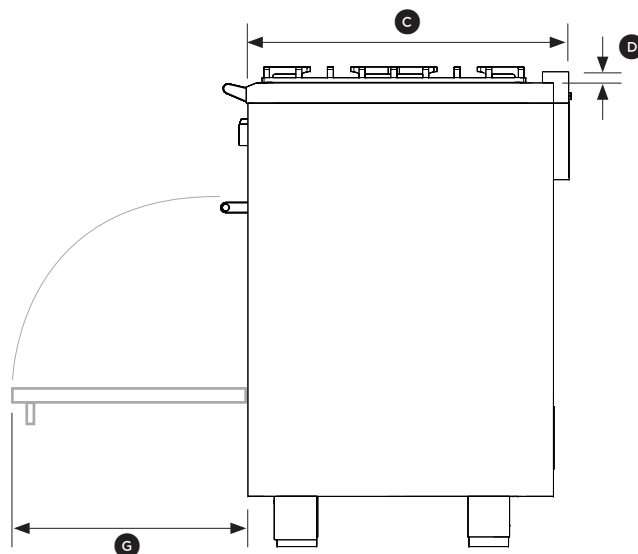
- Inspectez la cuisinière pour vous assurer qu'aucun dommage n'a été causé lors de l'expédition. En cas de dommage, communiquez avec l'expéditeur pour effectuer une demande d'indemnisation. Fisher & Paykel n'est pas responsable des dommages causés lors de l'expédition.
- NE mettez PAS au rebut les matériaux d'emballage avant d'avoir terminé l'inspection de la cuisinière.
- Retirez la boîte extérieure et tous les matériaux d'emballage de la cuisinière. Certains modèles sont livrés avec une pellicule protectrice sur les pièces en aluminium et en acier. Retirez cette pellicule avant d'installer ou utiliser l'appareil.

6 DIMENSIONS DU PRODUIT

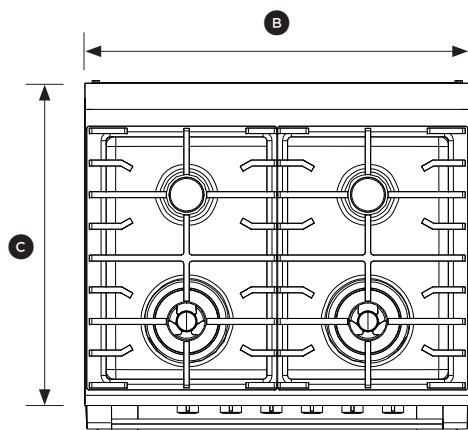
REMARQUE : Les caractéristiques du modèle peuvent varier
Kickstrip en option est disponible (acheté séparément)



AVANT



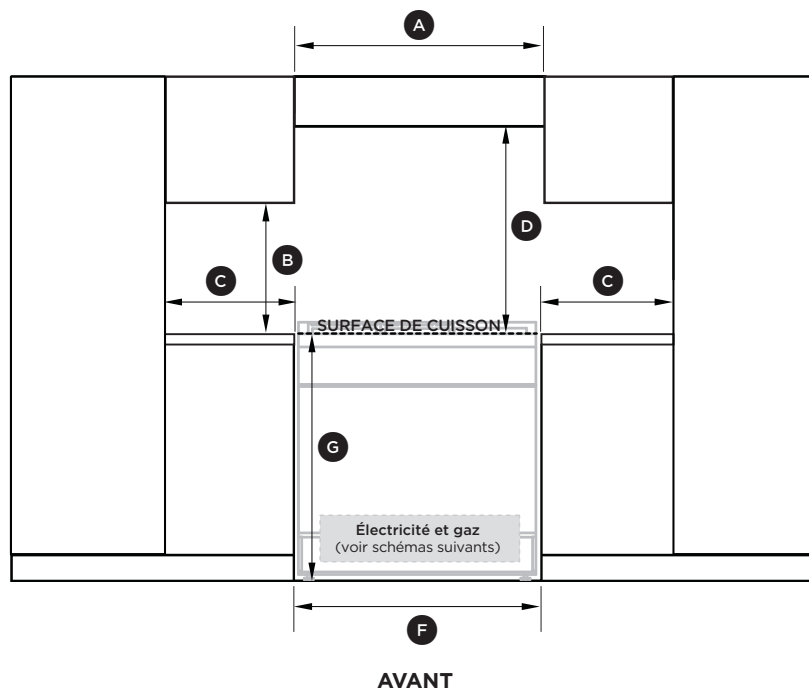
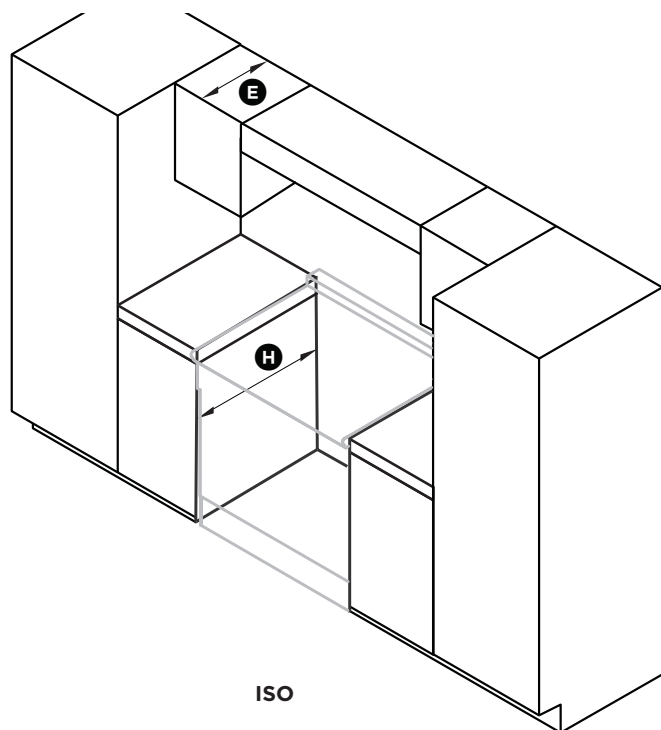
CÔTÉ



DESSUS

DIMENSIONS DU PRODUIT	GAZ OR30	MIXTE OR30
	pouces (mm)	pouces (mm)
(A) Hauteur hors tout de la cuisinière (du plancher au dessus de la table de cuisson, à l'exclusion des grilles et des garnitures/dossierets de l'île)	min. 35 3/4" (908) max. 37 5/8" (956)	min. 35 3/4" (908) max. 37 5/8" (956)
(B) Largeur hors tout de la cuisinière	29 7/8" (759)	29 7/8" (759)
(C) Profondeur hors tout de la cuisinière (de l'avant de la cuisinière à l'arrière de la garniture de l'îlot / du dossieret, à l'exclusion des poignées et des cadrans)	25 1/4" (641)	25 1/4" (641)
(D) Hauteur entre le dessus de la surface de cuisson et le dessus - De la garniture d'îlot (installée) - Du dossieret (en option)	7/8" (22) 3" (76)	niveau avec cooktop 3" (76)
(E) Hauteur du châssis (à l'exclusion des pieds réglables)	32 1/8" (816)	32 1/8" (816)
(F) Hauteur des pattes ajustables	min 3 3/8" (85) max 5 1/4" (133)	min 3 3/8" (85) max 5 1/4" (133)
(G) Profondeur de la porte ouverte jusqu'au panneau de commande avant	16 7/16" (417)	16 7/16" (417)

7 DIMENSIONS DE DÉGAGEMENT



Remarque

1 Pour éviter les risques de brûlures ou d'incendie en atteignant les surfaces chauffées, l'espace de rangement des armoires situé au-dessus des unités de surface doit être évité. Si un rangement doit être fourni, le risque peut être réduit en installant une hotte qui fait saillie horizontalement à au moins 127 mm (5 po) au-delà du fond des armoires.

2 **D** = dégagement minimum de 762 mm (30 po) entre le dessus de la surface de cuisson et le fond d'une armoire en bois ou en métal non protégée; ou **D** = 24 "(610mm) minimum lorsque le fond du coffret en bois ou en métal est protégé par un panneau ignifuge d'au moins 1/4" d'épaisseur recouvert d'au moins une feuille d'acier MSG no 28, acier inoxydable de 0,015 "d'épaisseur, 0,024" -l'aluminium épais, ou cuivre de 0,020 "d'épaisseur.

Remarque

- Cette cuisinière peut être installée directement à côté d'armoires de base d'une hauteur de 36" (914 mm).
- Si la cuisinière doit être placée à côté d'armoires, respectez les mesures de dégagement indiquées. Les mêmes mesures de dégagement s'appliquent aux installations en îlot.
- La cuisinière peut être placée de diverses façons par rapport au devant de l'armoire, avec le panneau de commande au même niveau ou en saillie, selon la profondeur des armoires.
- Les alimentations en électricité et gaz doivent se trouver dans les zones indiquées sur les schémas suivants.
- Toute ouverture dans le mur derrière la cuisinière et dans le plancher sous celle-ci doit être scellée.
- Gardez toujours la zone à proximité de l'appareil dégagée et exempte de matériaux combustibles, d'essence et d'autres liquides et vapeurs inflammables.
- N'obstruez pas la circulation d'air de combustion et de ventilation de l'appareil.

DIMENSIONS DE DÉGAGEMENT	GAZ OR30	MIXTE OR30
	pouces (mm)	pouces (mm)
A Distance verticale minimale entre le comptoir et une armoire au-dessus du comptoir	30" (762)	30" (762)
B Minimum vertical distance between countertop and cabinet extending above counter	18" (457)	18" (457)
C Dégagement minimal entre les côtés gauche et droit de la cuisinière et la surface combustible verticale la plus proche	11 13/16" (300)	11 13/16" (300)
D Dégagement minimal entre la surface de cuisson et : - Armoire suspendue au-dessus de la table de cuisson (combustible / non protégé) * - voir les notes 1 et 2 - Armoire suspendue au-dessus de la surface de cuisson (non combustible / protégée) * - voir les notes 1 et 2 - Une hotte de ventilation** centrée au-dessus de la surface de cuisson	36" (914) 30" (762) 30" (762)	36" (914) 30" (762) 30" (762)
E Profondeur maximale des armoires suspendues	13" (330)	13" (330)
F Largeur de l'ouverture entre les armoires	30" (762)	30" (762)
G Hauteur maximale des armoires adjacentes à la cuisinière (du plancher au comptoir) ***	37 1/2" (953)	37 1/2" (953)
H Profondeur maximale, du mur jusqu'au devant des armoires	25 1/4" (641)	25 1/4" (641)

* Surfaces non combustibles: telles que définies dans le «National Fuel Gas Code» (ANSI Z223.1, édition actuelle). Les dégagements de matériaux non combustibles ne font pas partie de la portée ANSI Z21.1 et ne sont pas certifiés par UL.

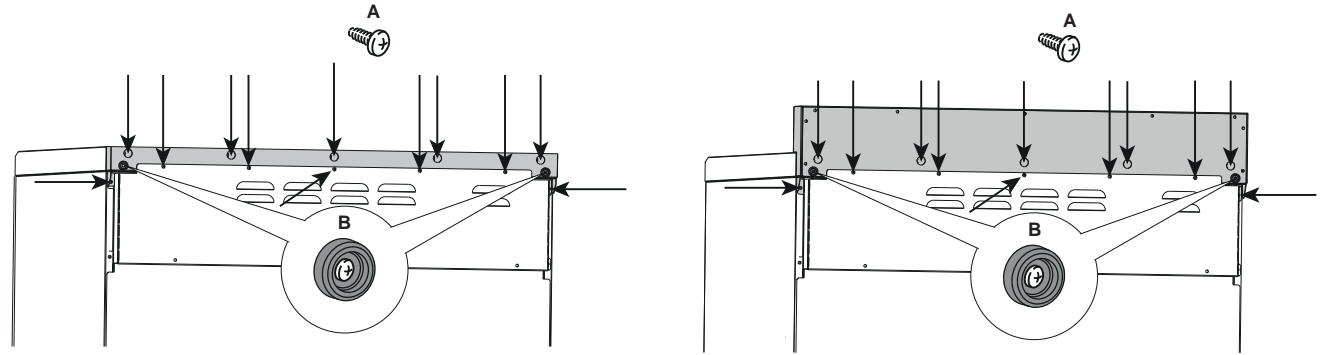
** Reportez-vous aux codes locaux/nationaux pour les exigences de ventilation.

*** Selon la hauteur de l'ajustement des pieds. La surface de cuisson doit être encastrée ou au-dessus du niveau du comptoir.

8 INSTALLATION DU DOSSERET EN OPTION

Garniture d'îlot et dossieret

- Il est obligatoire d'installer et utiliser l'appareil avec la garniture d'îlot ou le dossieret en option correctement installé.
- La garniture d'îlot est déjà installée sur l'appareil; l'ensemble de dossieret peut être acheté séparément.
- Si vous remplacez la garniture d'îlot par le dossieret, effectuez l'assemblage à l'aide des mêmes vis/espaceurs utilisés pour la fixation de la garniture d'îlot.



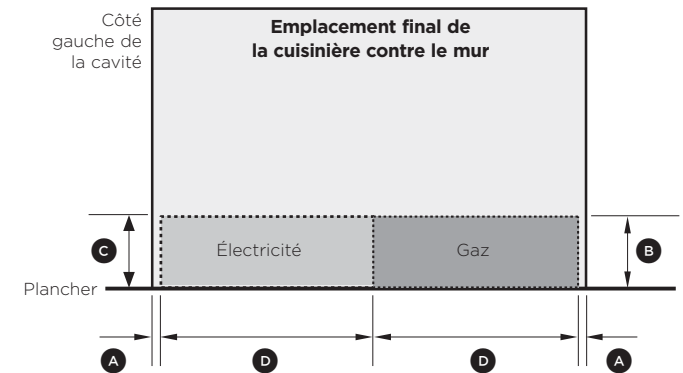
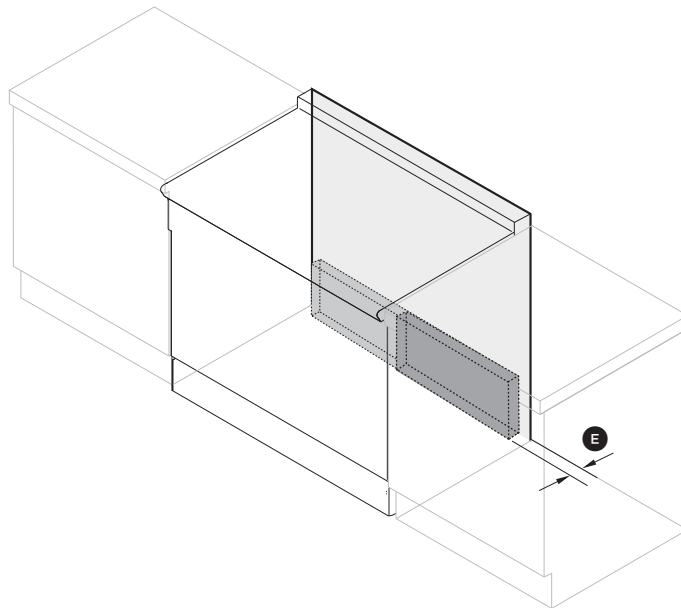
9 EMPLACEMENT DES ALIMENTATIONS EN ÉLECTRICITÉ ET GAZ

Prise mise à la terre (Gas Gas)

- Le cordon électrique avec prise de masse à 3 broches (NEMA 5-15P) a une longueur de 72" (1830mm).

Prise mise à la terre (Mixte)

- Le cordon électrique avec prise de masse à 4 broches (NEMA 14-50P) doit avoir une longueur minimale de 48" (1220mm) au-delà du dos de la cuisinière.



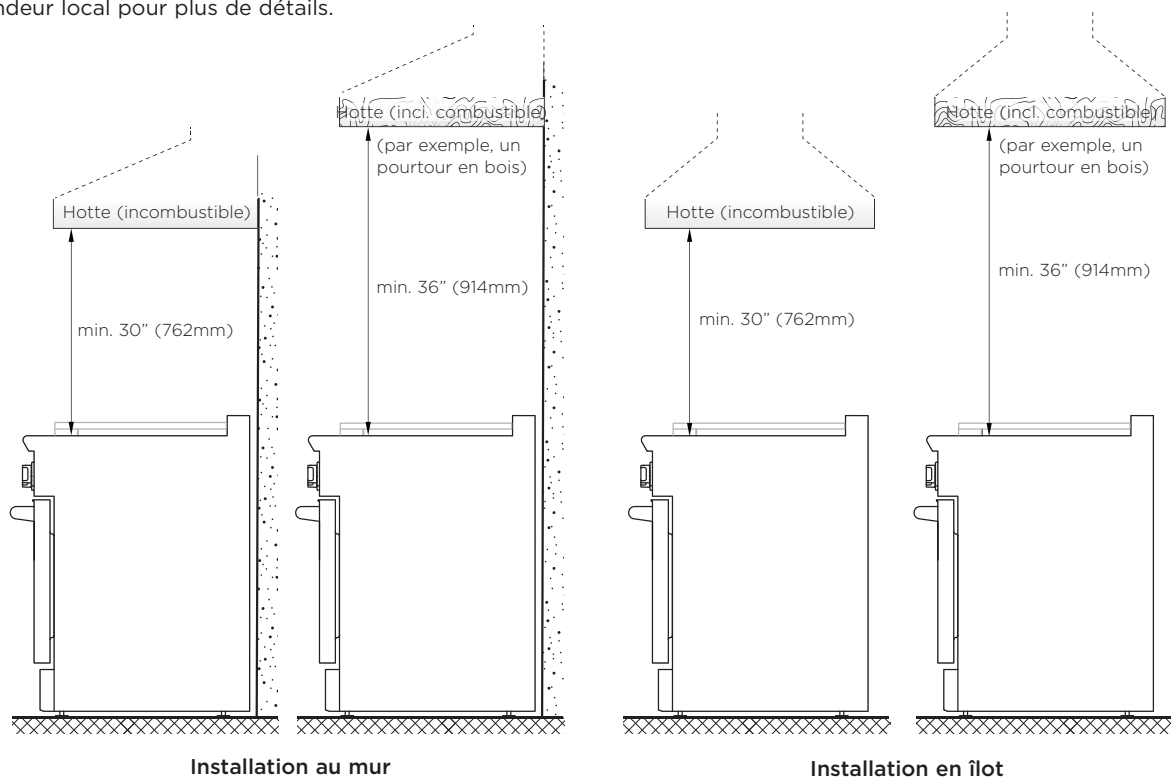
DIMENSIONS DES ZONES D'ALIMENTATION

	pouces (mm)
(A) Distance entre les côtés de la cuisinière et la zone d'alimentation	3/16" (5)
(B) Hauteur de la zone d'alimentation en gaz (à partir du sol)	2 15/16" - 4 15/16" * (75-125)*
(C) Hauteur de la zone d'alimentation en électricité (à partir du sol)	2 3/16" - 4 1/8" * (55-105)*
(D) Largeur des zones d'alimentation en gaz et électricité	14 3/4" (375)
(E) Profondeur de la zone d'alimentation (c.-à-d. protubérance maximale pour le raccordement de gaz et d'électricité à partir du mur)	3 15/16" (100)

* Selon l'ajustement des pattes

Une hotte de ventilation appropriée peut être installée au-dessus de la cuisinière.

Fisher & Paykel a un choix de hottes de ventilation conçues pour correspondre le reste de notre famille d'appareils de cuisine. Voir fisherpaykel.com ou votre revendeur local pour plus de détails.



IMPORTANT

- Consultez les codes du bâtiment et/ou organismes locaux avant de commencer, pour vous assurer que l'installation de la hotte et des conduits sera conforme aux exigences locales.
- Les vitesses du ventilateur de la hotte doivent être variables afin de réduire le niveau de bruit et la perte d'air chauffé ou climatisé lorsqu'une ventilation maximale n'est pas requise. Normalement, la vitesse maximale du ventilateur est requise uniquement lors de l'utilisation du gril ou du cycle d'auto-nettoyage.
- Pour évacuer la fumée de façon optimale, le bord inférieur de la hotte doit être installé à un maximum de 36" (914 mm) au-dessus de la surface de cuisson de la cuisinière. Si une hotte sur mesure comporte des **matériaux combustibles** (par exemple, un revêtement en bois), elle doit se trouver à un minimum de 36" (914 mm) au-dessus de la surface de cuisson.
- En raison du volume élevé d'air de ventilation, il pourrait être nécessaire d'assurer une source d'air d'appoint (air de remplacement provenant de l'extérieur) conforme aux codes et règlements locaux.

11 INSTALLATION DES PATTES AJUSTABLES

Installation des pattes ajustables

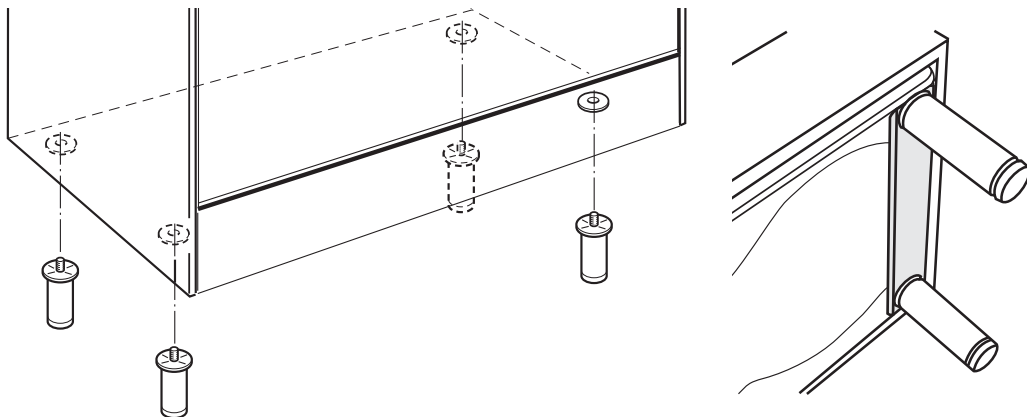
Les pattes ajustables doivent être installées sur la base de la cuisinière avant l'utilisation.

Appuyez la partie arrière de la cuisinière sur un morceau de l'emballage en polystyrène, afin d'exposer la base pour l'installation des pattes.

IMPORTANT

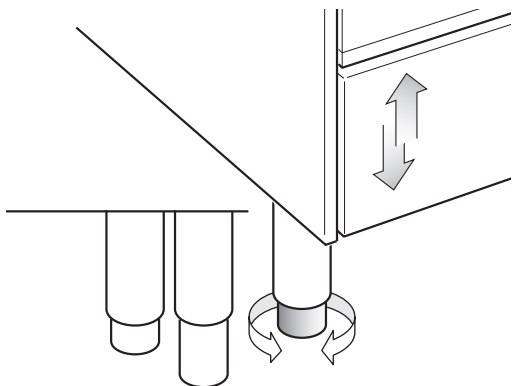
Veillez à ne pas endommager la cuisinière pendant cette opération.

Installez les quatre pattes en les vissant solidement dans la base, comme illustré.



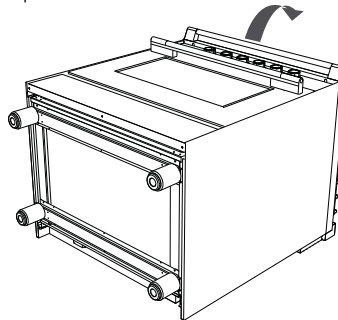
Mise de niveau de la cuisinière

- Vous pouvez mettre la cuisinière de niveau en vissant les extrémités inférieures des pattes vers l'INTÉRIEUR ou l'EXTÉRIEUR.
- De petits ajustements peuvent être effectués lorsque la cuisinière est en position verticale, mais il pourrait être nécessaire d'incliner la cuisinière de nouveau pour effectuer des ajustements plus importants.

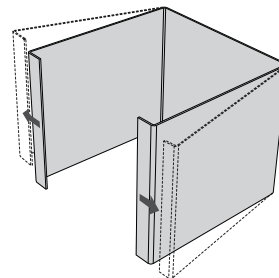


Installation des revêtements de pattes ajustables (en option)

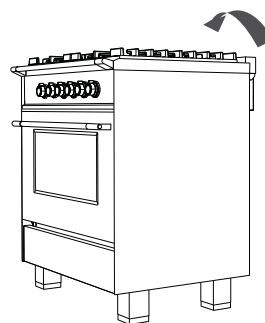
Si vous souhaitez utiliser les revêtements de pattes ajustables, installez-les pendant que la cuisinière est basculée vers l'arrière.



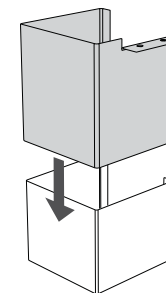
- 1 Pointe la gamme sur son dos pour exposer les emplacements des trous de fixation du couvre-pied.



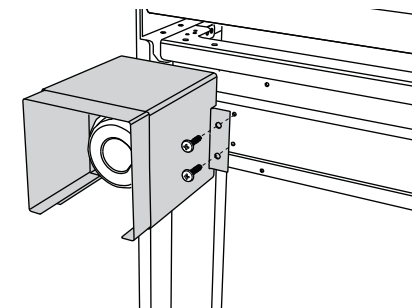
- 3 Remarque: pliez doucement les bords du couvercle intérieur pour ajuster la tension entre les deux parties si nécessaire.



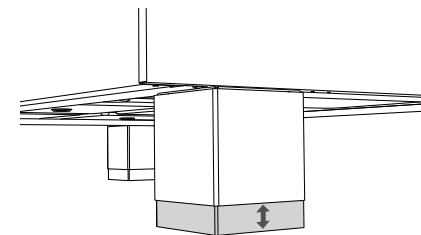
- 5 Tenez la cuisinière en position verticale.



- 2 Assemblez les couvercles de pieds en fendant le couvercle intérieur en fendant le couvercle extérieur.



- 4 Fixez les couvre-pieds à la base de la cuisinière à l'aide des vis fournies. Assurez-vous que les supports de montage sont alignés avec les trous de montage dans la base de la cuisinière.

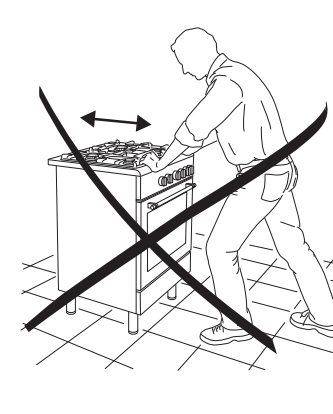
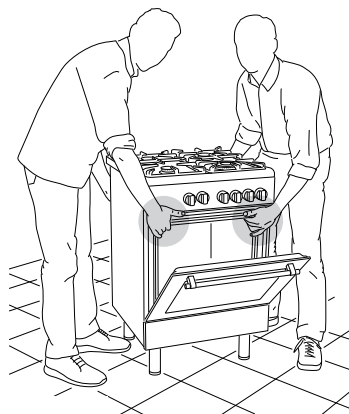


- 6 Ajustez les panneaux intérieurs des couvre-pieds en fonction de la hauteur des pieds de plage si nécessaire.

12 DÉPLACEMENT DE LA CUISINIÈRE

IMPORTANT!

- Pour éviter d'endommager les pattes ajustables, la cuisinière doit toujours être élevée en position verticale par deux personnes.
- Soyez prudent : ne soulevez pas la cuisinière par la poignée du four lorsque vous l'élevez en position verticale.
- Lors du déplacement de la cuisinière à son emplacement final, NE LA FAITES PAS GLISSER. Soulevez-la en veillant à ce que les pattes ne touchent pas au sol.



13 INSTALLATION DU PROTECTEUR AVANT DE LA SURFACE DE CUISSON

Modèles sans rail uniquement

Pour augmenter le dégagement entre le rebord avant de la surface de cuisson et les brûleurs, il est possible d'installer le protecteur avant de surface de cuisson fourni avec l'appareil.

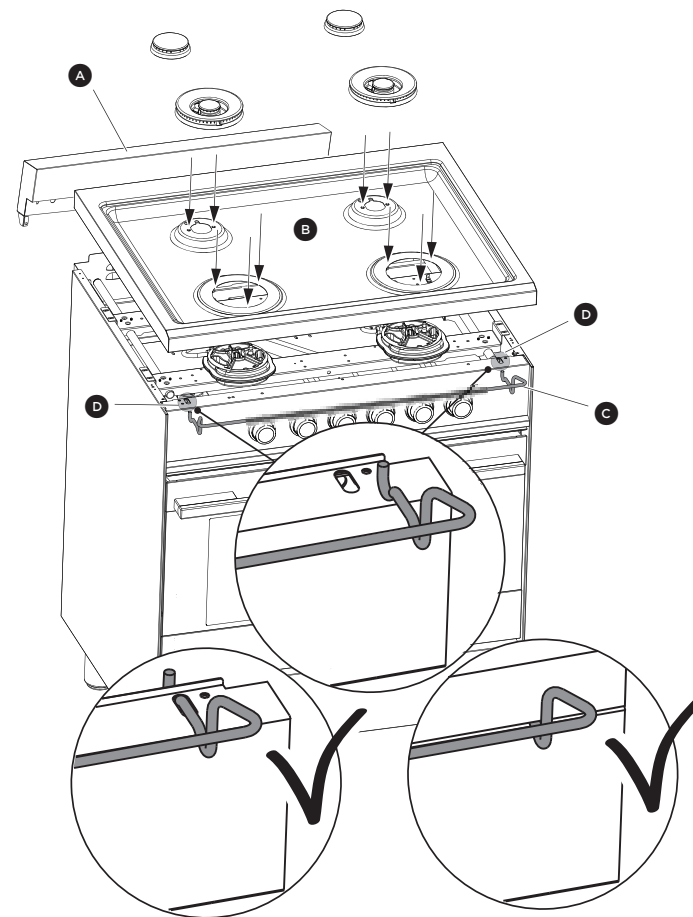
IMPORTANT

Pour installer ou retirer le protecteur, il est nécessaire de retirer la surface de cuisson.

Les tentatives d'installation ou de retrait du protecteur sans le désassemblage de la surface de cuisson entraîneront des dommages permanents à l'appareil.

Installez le protecteur avant comme illustré :

- 1 Retirez le dosseret ou la garniture d'îlot **A** (consultez 'Installation du dosseret en option')
- 2 Retirez les grilles, les capuchons de brûleur et les diffuseurs de flamme.
- 3 Dévissez les vis de fixation de la surface de cuisson **B**.
- 4 Retirez la surface de cuisson. Remarque : Prenez particulièrement soin de ne pas endommager les joints d'étanchéité installés au-dessus des coupelles de brûleur (sous la surface de cuisson). En cas de dommages, vous devez les remplacer.
- 5 Installez le protecteur avant **C** en insérant les extrémités de montant dans les trous correspondants au-dessus du panneau de commande **D**.
- 6 Réassemblez la surface de cuisson et les autres composants.
Remarque : Prenez particulièrement soin de ne pas endommager les joints d'étanchéité installés au-dessus des coupelles de brûleur (sous la surface de cuisson). En cas de dommages, vous devez les remplacer.



14 INSTALLATION DU SUPPORT ANTIBASCULEMENT

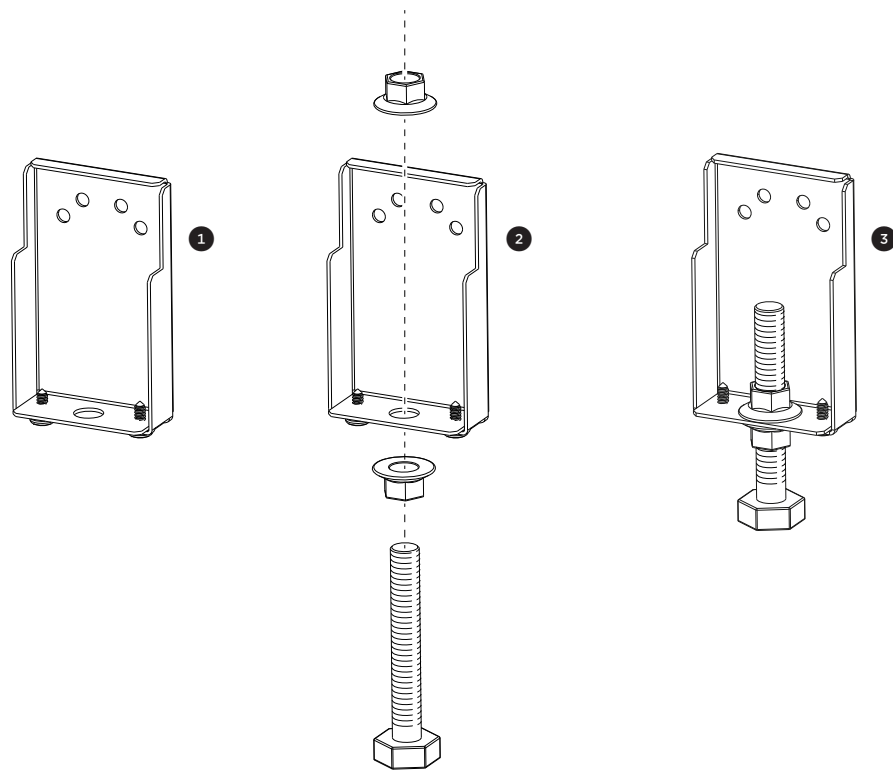
Le support antibasculement est constitué de deux composants :

- le support ajustable
- le support de stabilité

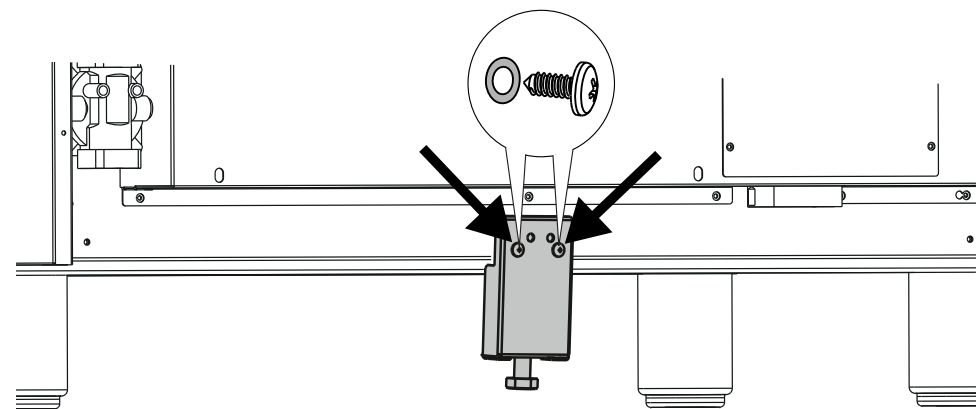
IMPORTANT!

Vous devez installer les deux pièces du support antibasculement et vous assurer qu'elles sont bien installées ensemble pour éviter le basculement de la cuisinière.

Pour installer le support antibasculement



- ① Faites passer le boulon dans le support ajustable et fixez-le en place à l'aide des deux écrous fournis. Assurez-vous de bien serrer les écrous.

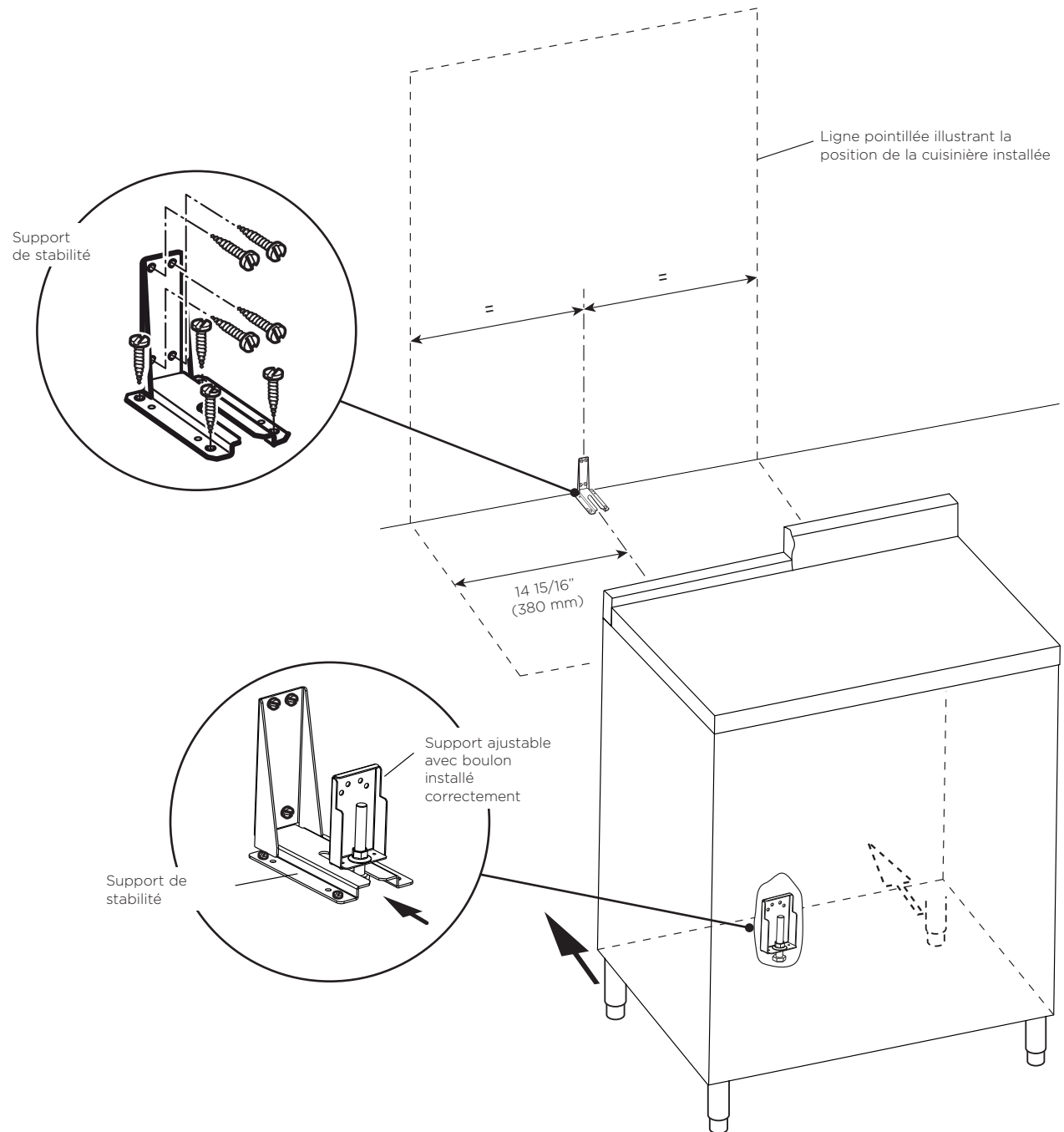


- ② Fixez le support ajustable à l'arrière de la cuisinière (centré sur le rebord inférieur) à l'aide des deux vis fournies.

- ③ Fixez le support de stabilité en place. Vous pouvez le fixer comme suit :
- Au sol OU au mur arrière à l'aide de 4 vis (fournies).
 - Au sol ET sur la paroi arrière par 8 vis (fournies).
 - Il y a 8 vis à bois et 8 vis avec douilles en plastique fournies avec la gamme dans deux kits séparés. Utilisez les vis appropriées en fonction du type de matériau sur le sol et / ou le mur.
 - Si vous utilisez les ancrages de manchon en plastique: percez des trous de 5/16" (8 mm) de diamètre et insérez les ancrages fournis avant de fixer le support de stabilité avec les vis.
- ④ Faites glisser la cuisinière en place, en vous assurant que le boulon se trouve sur les fentes du support réglable sous le support de stabilité.
- Ajustez la longueur du boulon si nécessaire. Assurez-vous que les deux écrous sont bien serrés après tout réglage.

IMPORTANT!

- **Utilisez les vis appropriées pour fixer le support de stabilité en place en fonction du type de matériau sur le sol et / ou le mur.**
- **Avant de percer et de percer des trous ou d'insérer des vis dans le sol ou le mur, vérifiez que vous n'endommagez pas les câbles ou les tuyaux.**



⚠ MISE EN GARDE!



Risque de choc électrique
Branchez l'appareil à une prise avec mise à la terre.
Ne retirez pas la broche de mise à la terre.
N'utilisez aucun adaptateur.
Le fait de ne pas respecter ces instructions peut causer la mort, un incendie ou un choc électrique.

⚠ MISE EN GARDE!
TRÈS IMPORTANT

Avant toute opération d'entretien, déconnectez l'appareil de l'alimentation électrique.

Modèles mixtes OR30 UNIQUEMENT

Si les codes le permettent et qu'un fil de mise à la terre distinct est utilisé, nous vous recommandons de faire appel à un électricien installateur qualifié qui déterminera si le trajet de la mise à la terre et le calibre de fil répondent aux exigences des codes locaux.

Assurez-vous que la connexion électrique et la taille du fil sont adéquates et conformes aux normes suivantes :

- ANSI/NFPA 70 dernière édition et codes et règlements locaux.
- CSA Standard C22.1, Code canadien de l'électricité, Partie 1 - dernière édition et tous les codes et règlements locaux.

UNIQUEMENT POUR LE CANADA :

Une copie des normes mentionnées ci-dessus peut être obtenue de :

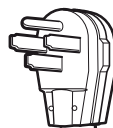
CANADIAN STANDARDS ASSOCIATION
 178 Rexdale Boulevard, TORONTO, ON M9W 1R3, CANADA

- Ne reliez pas la mise à la terre à une conduite de gaz.
- Si vous n'êtes pas certain que la cuisinière est correctement mise à la terre, vérifiez auprès d'un installateur électrique qualifié.
- N'installez aucun fusible dans le circuit neutre ou de mise à la terre.
- Lorsque la seule alimentation électrique disponible est une alimentation 240-208/120 V CA 60 Hz à 4 fils et deux phases, une protection de circuit à fusible de 30 A maximum est requise aux deux extrémités du câble électrique.
- Nous vous recommandons d'utiliser un fusible à fusion lente ou un disjoncteur.

Méthode de mise à la terre recommandée

- Cette cuisinière est équipée d'un cordon d'alimentation certifié qui doit être branché dans une prise de courant 14-50R standard. Assurez-vous que la prise de courant se trouve à proximité de l'emplacement final de la cuisinière.
- N'utilisez aucune rallonge.
- En cas de remplacement du cordon d'alimentation, remplacez-le uniquement par un cordon adéquat homologué UL ou CSA (avec les mêmes caractéristiques techniques que le cordon remplacé).
- Serrez le cordon d'alimentation en utilisant uniquement le support serre-câble fourni avec l'appareil.
- Prévoyez suffisamment de jeu pour fixer facilement les bornes du cordon au bloc de jonction.
- Ces opérations ne doivent être effectuées que par un technicien autorisé.

Prise murale NEMA 14-50R standard



Cordon d'alimentation avec fiche NEMA 14-50P

IMPORTANT!

La quatrième broche (mise à la terre) ne doit en AUCUN cas être coupée ou retirée.

Modèles au gaz OR30 UNIQUEMENT

Si les codes le permettent et qu'un fil de mise à la terre distinct est utilisé, nous vous recommandons de faire appel à un électricien qualifié qui déterminera si le trajet de la mise à la terre est adéquat. Si vous n'êtes pas certain que la cuisinière est correctement mise à la terre, vérifiez auprès d'un électricien qualifié. Ne reliez pas la mise à la terre à une conduite de gaz.

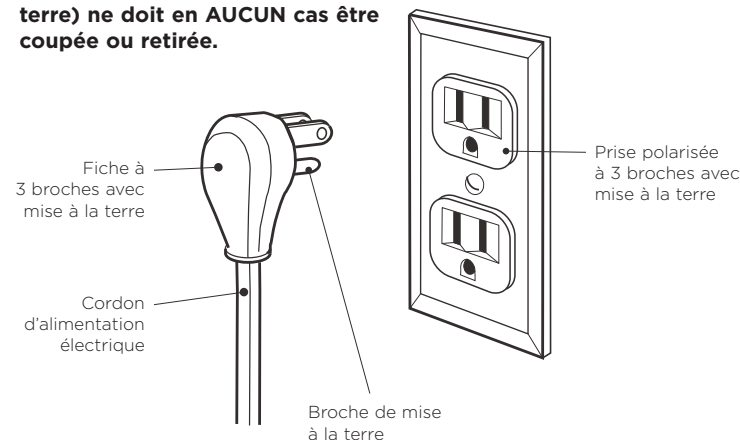
- Cet appareil ne doit être utilisé qu'avec une alimentation électrique de 120 V CA, 60 Hz, 15 ampères avec fusible.
- Nous vous recommandons d'utiliser un fusible à fusion lente ou un disjoncteur.
- Il est recommandé d'utiliser un circuit distinct, destiné uniquement à cet appareil.
- Vous devez faire vérifier la prise par un électricien qualifié pour vous assurer qu'elle est câblée avec la polarité adéquate.
- Une fois installé, cet appareil doit être mis à la terre en conformité avec les codes locaux.

Méthode de mise à la terre recommandée

- Pour votre sécurité personnelle, cette cuisinière doit être mise à la terre.
- Cette cuisinière est équipée d'une fiche à 3 broches avec mise à la terre.
- Pour réduire les risques de choc électrique, le cordon doit être branché dans une prise à 3 broches correspondante, mise à la terre en conformité avec la dernière édition du Code national de l'électricité ANSI/NFPA 70 et les codes et règlements locaux.
- Si une prise correspondante n'est pas disponible, le client a la responsabilité personnelle et l'obligation de faire installer une prise à 3 broches correctement polarisée et mise à la terre par un électricien qualifié.

IMPORTANT!

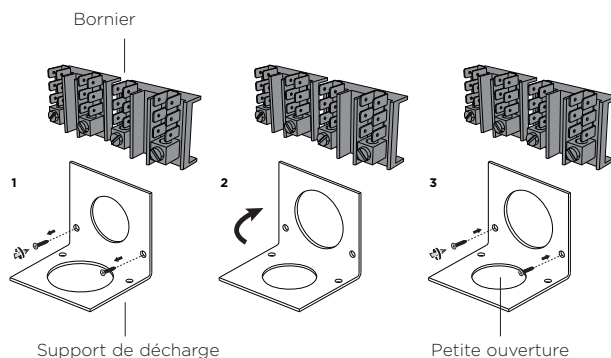
La troisième broche (mise à la terre) ne doit en AUCUN cas être coupée ou retirée.



CONNEXION PERMANENTE (CÂBLAGE DUR)

US seulement, pour le Canada, il est obligatoire de connecter la cuisinière en utilisant le cordon avec la prise fournie.

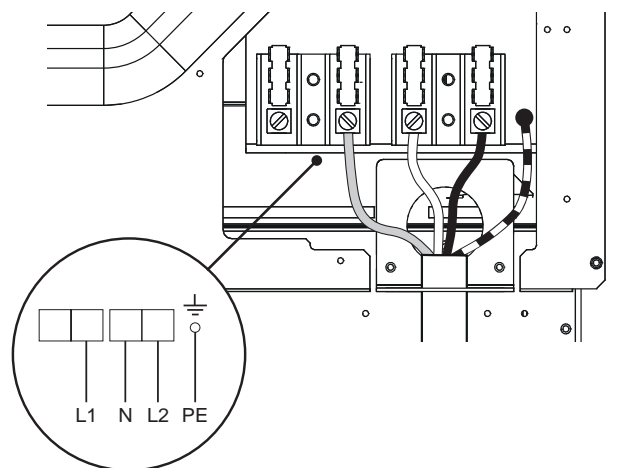
- Les unités peuvent être câblées à l'alimentation. L'installateur doit fournir un conduit en aluminium flexible approuvé, de taille commerciale de 3/4 po (19mm), d'une longueur maximale de 1,8 m (6 pi). Localisez le bornier à l'arrière de l'appareil et retirez le couvercle d'accès.
- L'orientation du support de décharge de traction doit être commutée afin d'assurer une connexion de câblage permanente:
 - 1 Retirez le cordon d'alimentation fourni en usine.
 - 2 Retirez les 2 vis du support.
 - 3 Re-sécuriser le support avec les 2 vis de sorte que le 1 1/8 po (29mm) plus petite ouverture est face vers le bas.



- Le conduit doit être installé sur le bornier en utilisant un connecteur de conduit approuvé. L'extrémité libre du conduit doit être reliée à une boîte de jonction prévue dans la zone d'alimentation électrique.
- Monter une décharge de traction (non fourni) dans le trou de 1 1/8 "(29mm) de diamètre situé sous le bornier. Le câblage de l'unité doit être introduit dans le bornier à travers le conduit et à travers la décharge de traction. Effectuez les connexions appropriées au bornier fourni.
- *Installateur - Indique au propriétaire l'emplacement du disjoncteur. Marquez-le pour faciliter la consultation.*

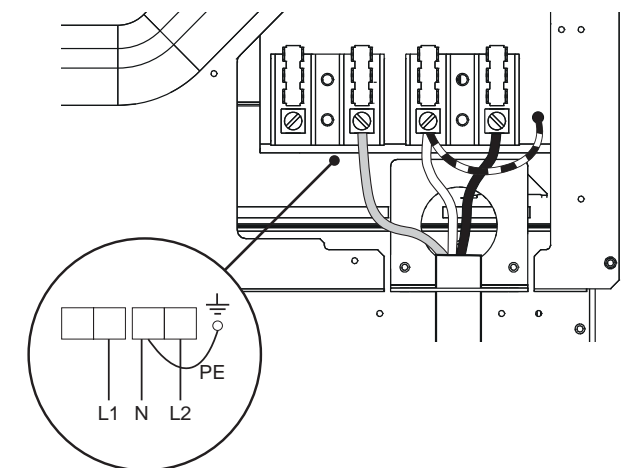
Connexion à 4 fils

- 1 Desserrez les vis L1 (rouge), L2 (noire) et neutre (blanche).
- 2 Montez le raccord de conduit sur le trou de 1 1/8 po (29mm) dans le support de décharge de traction.
- 3 Fixez le fil d'alimentation neutre (blanc) à la borne centrale et serrez la vis.
- 4 Fixez les fils d'alimentation L1 (rouge) et L2 (noire) aux bornes situées immédiatement à gauche (L1) et à droite (L2) de la borne neutre. Serrer les vis.
- 5 Fixez le fil de masse (vert) à la vis verte située à droite du bornier à l'aide de la rondelle creuse fournie. L'extrémité du conducteur de mise à la terre doit être retenue par la rondelle creuse.
- 6 Vérifiez que toutes les connexions sont bien serrées.
- 7 Réinstallez le couvercle du bornier



Connexion à 3 fils (en utilisant le fil de masse fourni)

- 1 Desserrez les vis L1 (rouge), L2 (noire) et neutre (blanche).
- 2 Montez le raccord de conduit sur le trou de 1 1/8 po (29mm) dans le support de décharge de traction.
- 3 Fixez le fil de masse (vert) fourni à la vis de mise à la terre à la droite du bornier.
- 4 Fixez le fil d'alimentation neutre (blanc) avec le fil de terre (vert) au centre de la borne. Serrez la vis.
- 5 Fixez les fils d'alimentation L1 (rouge) et L2 (noire) aux bornes situées immédiatement à gauche (L1) et à droite (L2) de la borne neutre. Serrer les vis.
- 6 Vérifiez que toutes les connexions sont bien serrées.
- 7 Réinstallez le couvercle du bornier.



Exigences relatives à l'alimentation en gaz

Tous les raccordements de gaz doivent être effectués en conformité avec les codes locaux et nationaux.

La conduite d'alimentation en gaz (service) doit être d'une taille identique ou supérieure à la conduite d'entrée de l'appareil. Le scellant sur tous les joints de conduite doit être résistant à l'action du gaz de pétrole liquéfié/propane.

- La cuisinière est équipée pour l'utilisation avec du gaz NATUREL. Sa conception est certifiée par CSA International pour le gaz NATUREL (et les gaz de pétrole liquéfié avec une conversion appropriée).
- Toute conversion requise doit être effectuée par votre détaillant, un technicien autorisé qualifié ou une entreprise de services d'alimentation en gaz. Veuillez fournir ce manuel au technicien avant le début des travaux sur la cuisinière. (Les conversions de gaz sont effectuées sous la responsabilité du détaillant ou de l'utilisateur final.)
- La plaque signalétique du numéro de modèle/série, située sous le tiroir inférieur, comporte des informations sur le type de gaz pouvant être utilisé.
- Si ces informations ne correspondent pas au type de gaz disponible, vérifiez avec le fournisseur de gaz local.

Gaz naturel

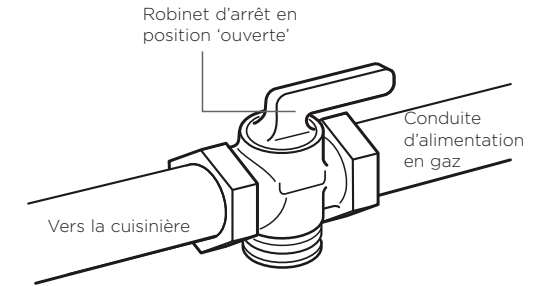
- Raccordement : NPT 1/2" avec conduite flexible de 5/8" de diamètre minimum. Pression d'alimentation : 4" C.E.

Gaz de pétrole liquéfié

- Raccordement : NPT 1/2" avec conduite flexible de 5/8" de diamètre minimum. Pression d'alimentation : 11" C.E.
- Un régulateur est requis à la source d'alimentation en gaz de pétrole liquéfié afin d'assurer une pression maximale de 14" C.E. au régulateur de la cuisinière.

Robinet d'arrêt manuel

- Vous devez installer un robinet d'arrêt manuel dans un endroit accessible de la conduite de gaz, à l'extérieur de l'appareil, afin de permettre l'ouverture ou la fermeture de l'alimentation en gaz à l'appareil (au Massachusetts, de tels dispositifs d'arrêt doivent être approuvés par le Board of State Examiners of Plumbers & Gas Fitters).
- Ce robinet doit être situé dans la même pièce que la cuisinière, dans un endroit permettant de procéder facilement à l'ouverture et la fermeture (dans un emplacement où vous pouvez l'atteindre rapidement en cas d'urgence).
- Ne bloquez pas l'accès au robinet d'arrêt. Le robinet sert à ouvrir et fermer l'alimentation en gaz de l'appareil.

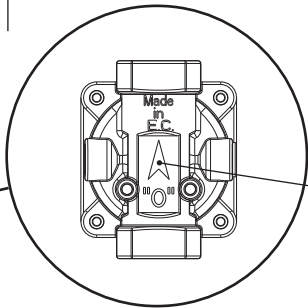
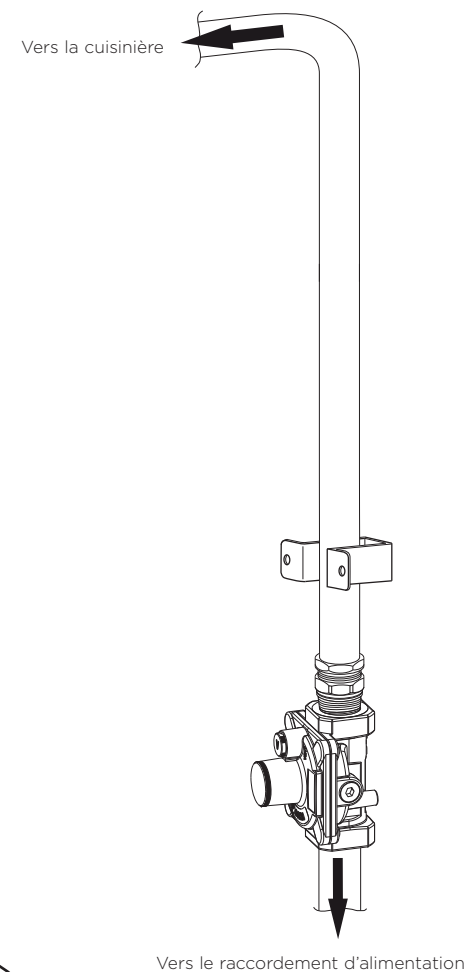
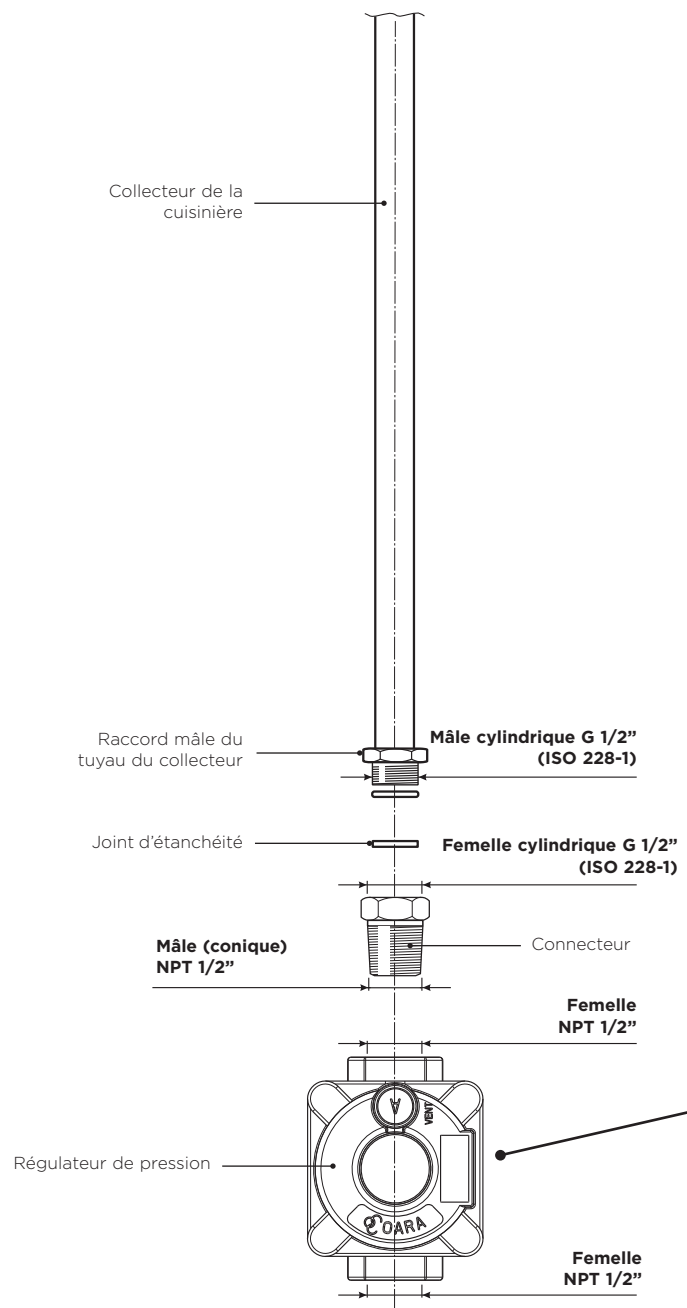


IMPORTANT!

Fisher & Paykel recommande d'installer le robinet d'arrêt manuel dans un endroit facilement accessible par le client afin qu'il puisse fermer l'alimentation en gaz de l'appareil en cas d'urgence. Toutefois, l'appareil ne doit être modifié d'aucune façon pour permettre un tel positionnement.

- La conduite d'alimentation en gaz ne doit pas dépasser de la partie arrière de l'appareil.
- Assurez-vous de fermer l'alimentation en gaz au niveau du robinet mural avant de raccorder l'appareil.
- La vérification des fuites doit être effectuée conformément aux instructions du fabricant. Consultez les instructions ci-dessous.
- Lorsque vous raccordez l'alimentation en gaz du tuyau rigide provenant du mur au tuyau rigide de la cuisinière, faites en sorte que la conduite flexible reliant les deux tuyaux rigides soit suffisamment longue pour permettre d'éloigner la cuisinière du mur lors du nettoyage ou de l'entretien. Lorsque la cuisinière est éloignée du mur, il ne doit y avoir aucune tension au niveau des raccordements des tuyaux rigides de la cuisinière et du mur.

Spécifications de
raccordement du gaz

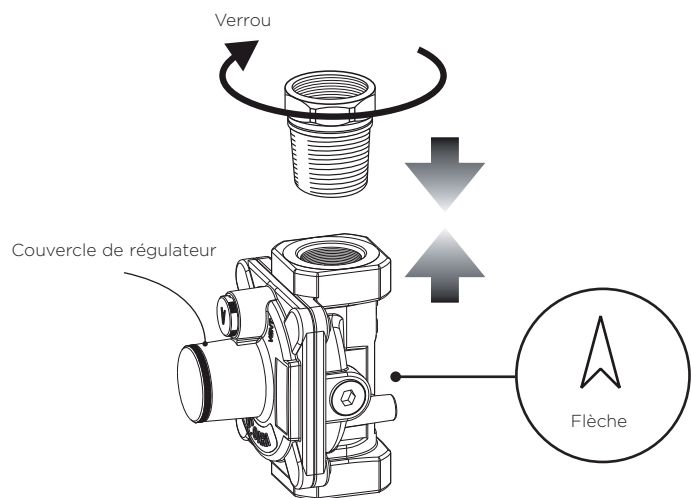


IMPORTANT!
Vérifiez le positionnement adéquat du régulateur de gaz.
La flèche à l'arrière du régulateur de gaz doit être
orientée vers le connecteur.

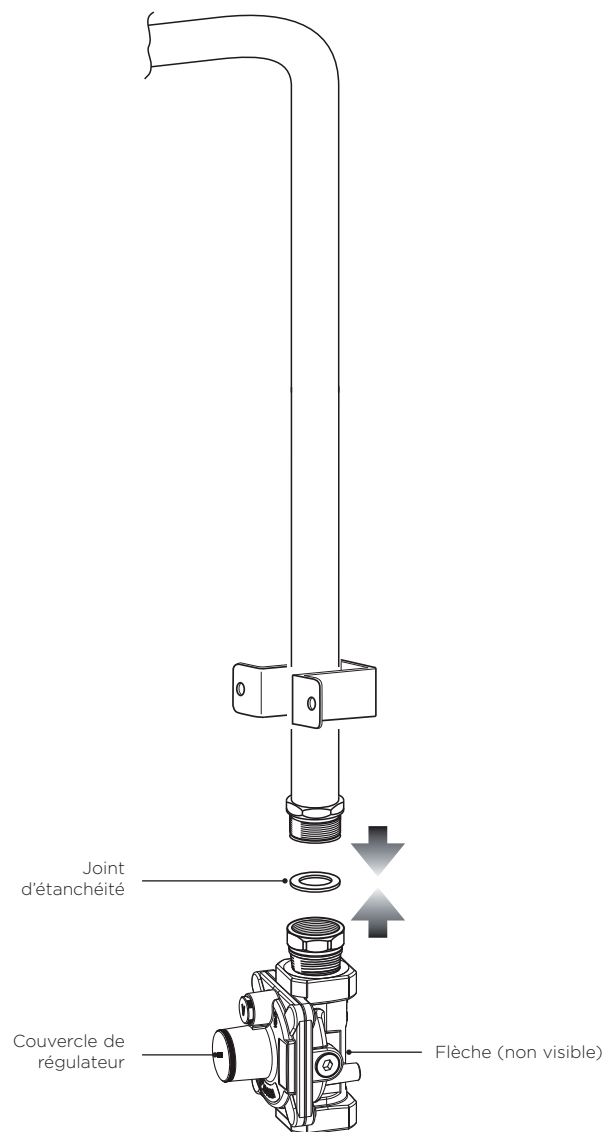
Installation du régulateur de pression

Tous les équipements de cuisson de type commercial à haut rendement doivent être munis d'un régulateur de pression sur la conduite d'alimentation pour assurer un fonctionnement sécuritaire et efficace, car la pression d'alimentation peut fluctuer selon la demande locale.

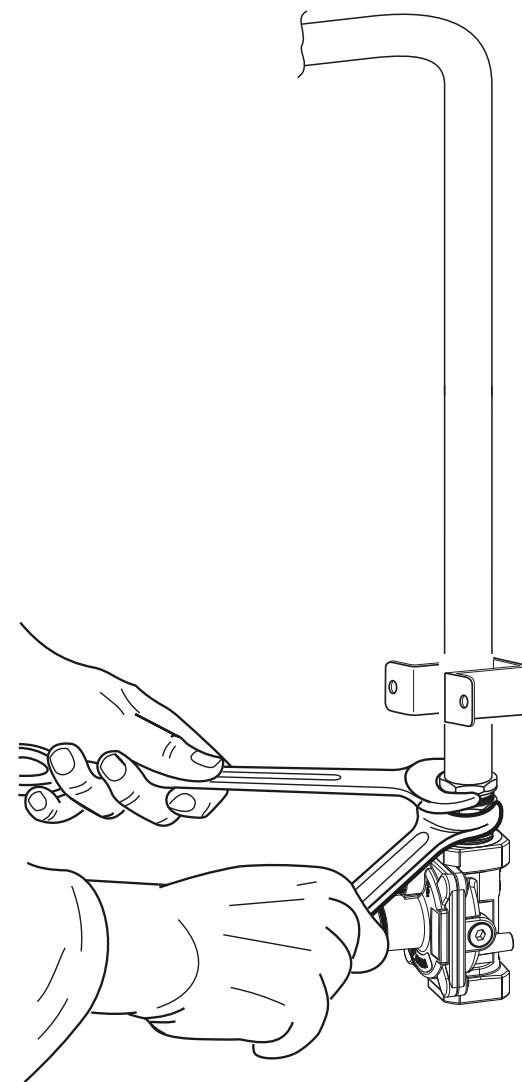
- Vous devez installer le régulateur fourni avec cette cuisinière avant de procéder à tout raccordement de gaz.
- Utilisez uniquement le régulateur de pression fourni.



- ① Raccordez le connecteur mâle (conique) NPT 1/2" (12,7 mm) au régulateur de pression, puis serrez à l'aide d'une clé. Ne serrez pas excessivement le connecteur. Un serrage excessif pourrait fendre le régulateur.



- ② Raccordez l'ensemble de connecteur NPT 1/2" (12,7 mm) et de régulateur de pression au raccord mâle du tuyau du collecteur en vous assurant de positionner le joint d'étanchéité fourni entre les deux. Le couvercle de régulateur doit être orienté vers le devant de la cuisinière.



IMPORTANT!
Utilisez deux clés pour serrer le raccordement.

17 VÉRIFICATION DE PRESSION

La pression du collecteur doit être vérifiée avec un manomètre en suivant les instructions ci-dessous :

- Retirez l'injecteur du brûleur arrière gauche (ou arrière droit) et installez l'adaptateur de point de vérification (disponible auprès du service après-vente).
 - Tournez le bouton de commande du brûleur à la position maximale.
 - Appuyez sur le bouton et maintenez-le enfoncé pour vérifier la pression du collecteur avec un manomètre.
- Le gaz NATUREL nécessite une pression de 4,0" (101,6 mm) C.E., et le gaz de PÉTROLE LIQUÉFIÉ/PROPANE, une pression de 11,0" (279,4 mm) C.E.

IMPORTANT!

- **La pression de la tuyauterie d'entrée en amont du régulateur doit être de 1" C.E. supérieure à la pression du collecteur pour permettre la vérification du régulateur.**
- **Le régulateur utilisé sur cette cuisinière peut supporter une pression d'entrée maximale de 1/2 PSI (14,0" (355,6 mm) C.E.). Si la pression de la tuyauterie d'entrée est supérieure à cette valeur, vous devez utiliser un régulateur abaisseur.**
- **L'appareil, son robinet d'arrêt individuel et le régulateur de pression doivent être débranchés de la tuyauterie d'alimentation en gaz lorsque la vérification de pression du système donne des pressions supérieures à 1/2 PSI (3,5 kPa).**
- **Fermez le robinet d'arrêt manuel individuel de l'appareil pour l'isoler de la tuyauterie d'alimentation en gaz pendant toute vérification de pression de la tuyauterie d'alimentation alors que la pression d'essai est égale ou inférieure à 1/2 PSI (3,5 kPa). C.E. pour le gaz naturel ou 12,0" pour le gaz de pétrole liquéfié.**

Raccordements flexibles

Si les codes locaux le permettent, un connecteur pour appareil en métal flexible de conception certifiée par CSA ou UL est recommandé pour le raccordement de cette cuisinière à la conduite d'alimentation en gaz.

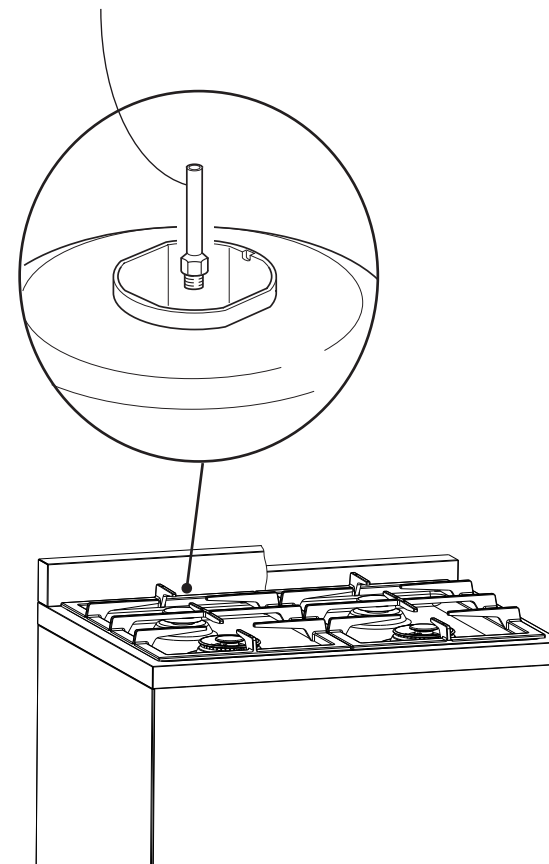
- N'entortillez et n'endommagez pas le connecteur flexible lors du déplacement de la cuisinière.
- Le régulateur de pression comporte un filetage de tuyau femelle NPT 1/2" (12,7 mm).
- Vous devez déterminer les raccords requis, en fonction de la taille de votre conduite d'alimentation en gaz, du connecteur en métal flexible et du robinet d'arrêt.

Raccordements de tuyau rigide

Si un tuyau rigide est utilisé comme conduite d'alimentation en gaz, une combinaison de raccords de tuyau doit être utilisée pour l'obtention d'un raccordement en ligne droite à la cuisinière. Toutes les contraintes doivent être éliminées des conduites d'alimentation et de carburant, afin que la cuisinière soit de niveau et en ligne droite.

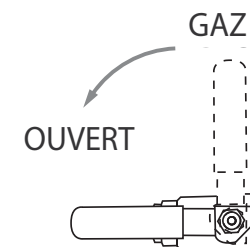
- Utilisez de la pâte à joint et des joints d'étanchéité résistants à l'action du gaz naturel ou propane sur tous les filetages de tuyaux mâles.
- Ne serrez pas excessivement le raccord de gaz lors de la fixation du régulateur de pression. Un serrage excessif pourrait fendre le régulateur.

ADAPTATEUR DE POINT DE VÉRIFICATION
L'adaptateur de point de vérification est disponible auprès du service après-vente.



18 VÉRIFICATION DES FUITES

- Assurez-vous que tous les boutons de four et brûleur sont réglés à OFF (ARRÊT) avant de raccorder la cuisinière à l'alimentation en gaz.
 - Une fois le raccordement final du gaz effectué, ouvrez l'alimentation en gaz et testez tous les raccords de la tuyauterie d'alimentation en gaz à l'aide d'une solution d'eau savonneuse pour vérifier s'il y a des fuites de gaz.
 - Pour réduire les risques de dommages matériels ou de blessures graves, n'utilisez jamais la flamme d'une allumette ou une flamme nue.
- Si vous détectez une fuite, serrez le joint ou dévissez-le, appliquez de la pâte à joint supplémentaire, resserrez le joint et vérifiez de nouveau s'il y a une fuite.



Conversion au gaz de pétrole liquéfié/propane

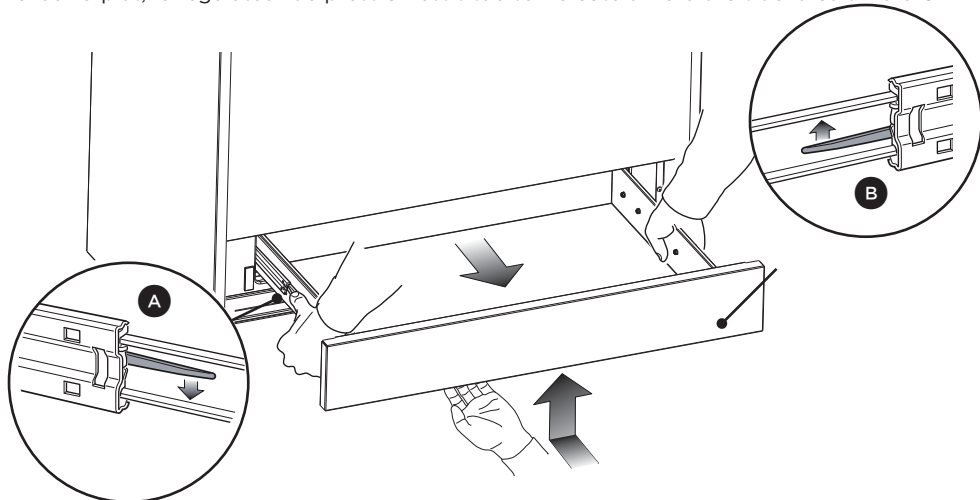
- Cette cuisinière peut être utilisée avec du gaz NATUREL ou de PÉTROLE LIQUÉFIÉ/PROPANE. À sa sortie de l'usine, elle est réglée pour l'utilisation avec du gaz NATUREL.
- Toute conversion requise doit être effectuée par votre détaillant, un technicien autorisé qualifié ou une entreprise de services d'alimentation en gaz. Fournissez ce manuel au technicien avant le début des travaux sur la cuisinière. (Les conversions de gaz sont effectuées sous la responsabilité du détaillant ou de l'utilisateur final.)
- La cuisinière est fournie avec un ensemble d'injecteurs requis pour la conversion des brûleurs de la cuisinière.
- Reportez-vous au tableau suivant pour sélectionner l'injecteur de taille appropriée. Les diamètres de buse (centièmes de millimètre) sont marqués sur le corps de chaque injecteur.

IMPORTANT!

- **Après la conversion de la cuisinière, répétez la vérification de la pression du collecteur.**
- **Si la cuisinière a été déconnectée et reconnectée à la conduite d'alimentation en gaz, répétez la vérification des fuites.**
- **Après la conversion au gaz de PÉTROLE LIQUÉFIÉ/PROPANE, apposez l'étiquette de conversion fournie à proximité de la plaque signalétique du produit, ainsi qu'au début de ce manuel.**

Réglage du régulateur de pression

Vous pouvez accéder au régulateur de pression en retirant le tiroir de rangement/chauffe-plat; le régulateur de pression est situé sur le côté arrière droit de la cuisinière **C**.

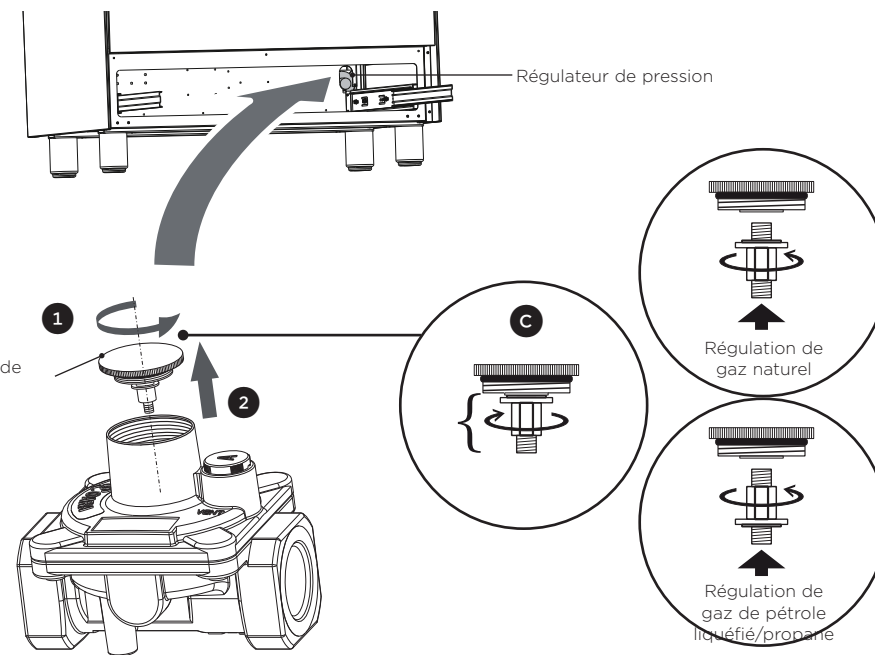


Pour retirer le tiroir de rangement/chauffe-plat

- ① Ouvrez complètement le tiroir de rangement/chauffe-plat.
- ② Déplacez le levier du guide gauche vers le bas **A** et le levier du guide droit vers le haut **B**.
- ③ Retirez le tiroir en maintenant les leviers dans la même position.

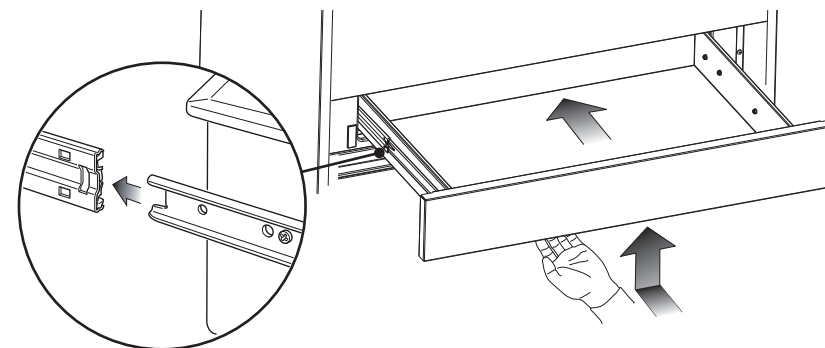
IMPORTANT

- **Ne retirez pas le tiroir de rangement/chauffe-plat pendant qu'il est chaud.**
- **Ne retirez pas le tiroir de rangement/chauffe-plat pendant le fonctionnement.**
- **Assurez-vous que le tiroir de rangement/chauffe-plat est vide avant de le retirer.**
- **Positionnez toujours votre main sous le panneau avant pour ouvrir/fermer le tiroir.**



Pour régler le régulateur de pression

- ① Dévissez le couvercle du régulateur.
- ② Dévissez le composant **C**, inversez et vissez-le en fonction de la régulation de GAZ DE PÉTROLE LIQUÉFIÉ/PROPANE (ou GAZ NATUREL).



Pour réinstaller le tiroir de rangement/chauffe-plat

- ① Insérez les guides du tiroir de rangement/chauffe-plat dans les guides de la cuisinière.
- ② Fermez délicatement et complètement le tiroir; les loquets de sécurité se bloqueront automatiquement.

Tableau d'injecteurs

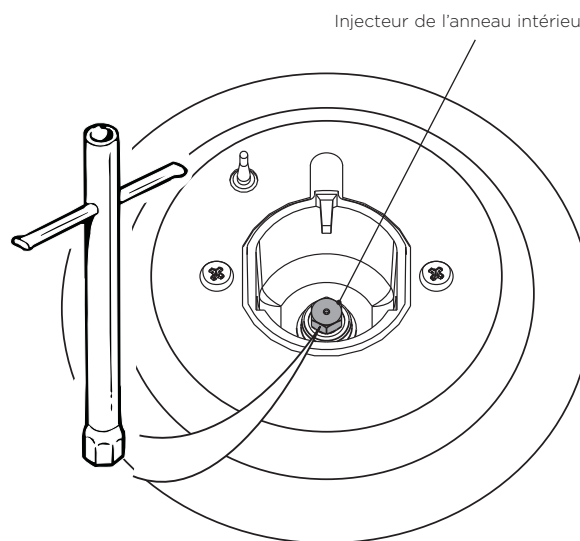
BRÛLEURS		PUISSANCE NOMINALE	PUISSANCE RÉDUITE	GAZ DE PÉTROLE LIQUÉFIÉ/PROPANE 11" (279,4 mm) C.E.	GAZ NATUREL 4" (101,6 mm) C.E.
		BTU/HEURE	BTU/HEURE	Ø INJECTEUR [1/100 MM]	Ø INJECTEUR [1/100 MM]
Semi-rapide (SR)		7600 (LP/Gaz propane)	1800	78	-
		8000 (Gaz naturel)	1800	-	136
Double (D)	Anneau intérieur	2800 ¹	1100 ¹	47 ³	80 ³
	Brûleur complet	18000 ²	6500 ²	79 (x2) ⁴	135 (x2) ⁴
MODÈLES AU GAZ OR30 UNIQUEMENT					
Brûleur de four		14000	2400	109	190
Brûleur de grillage		11000	-	100	170

- 1 Power calculated only with inner crown operating
 2 Power calculated with inner and outer crown operating
 3 Inner crown injector
 4 Outer crown injector

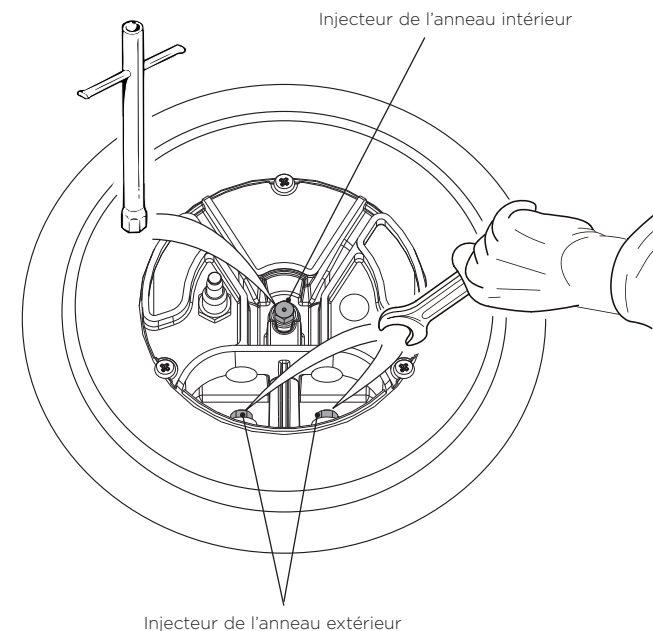
Remplacement des injecteurs de brûleur de la surface de cuisson

- Retirez les pièces d'appui, les capuchons de brûleur et les diffuseurs de flamme.
- Utilisez une clé pour remplacer les injecteurs de buse par ceux adaptés au type de gaz utilisé.
- Réinstallez les diffuseurs de flamme, les capuchons de brûleur et les pièces d'appui.

Les brûleurs sont conçus de façon à ce qu'aucune régulation d'air primaire ne soit requise.



Brûleur semi-rapide



Brûleur double

Réglage de débit minimum du brûleur de la surface de cuisson

Lorsque vous passez d'un type de gaz à un autre, le débit minimum doit également être adapté :

- La flamme ne doit pas s'éteindre, même lors du passage soudain du niveau de flamme maximum à minimum.

Pour régler la flamme, suivez ces instructions :

Brûleur semi-rapide (A)

- Allumez le brûleur.
- Réglez la soupape de gaz à la position **LO** (débit minimum).
- Retirez le bouton.
- À l'aide d'un tournevis mince, tournez la vis de régulation à l'intérieur du plongeur, jusqu'à l'obtention d'un ajustement adéquat.

Anneau intérieur du brûleur DOUBLE (B)

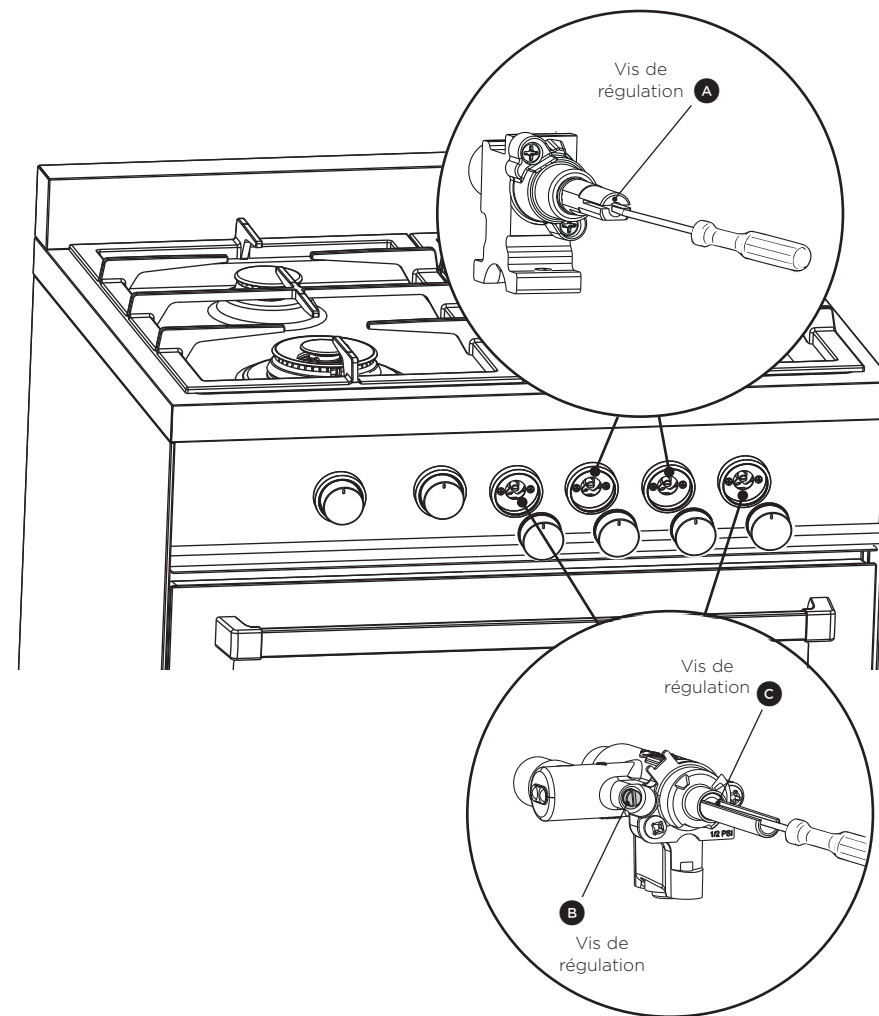
- Allumez le brûleur DOUBLE.
- Réglez la soupape de gaz à la position **LO** (débit minimum de l'anneau intérieur).
- Retirez le bouton.
- À l'aide d'un tournevis mince, tournez la vis de régulation jusqu'à l'obtention d'un ajustement adéquat.

Vous pouvez accéder à la vis par un trou dans le microrupteur.

Anneau extérieur du brûleur DOUBLE (C)

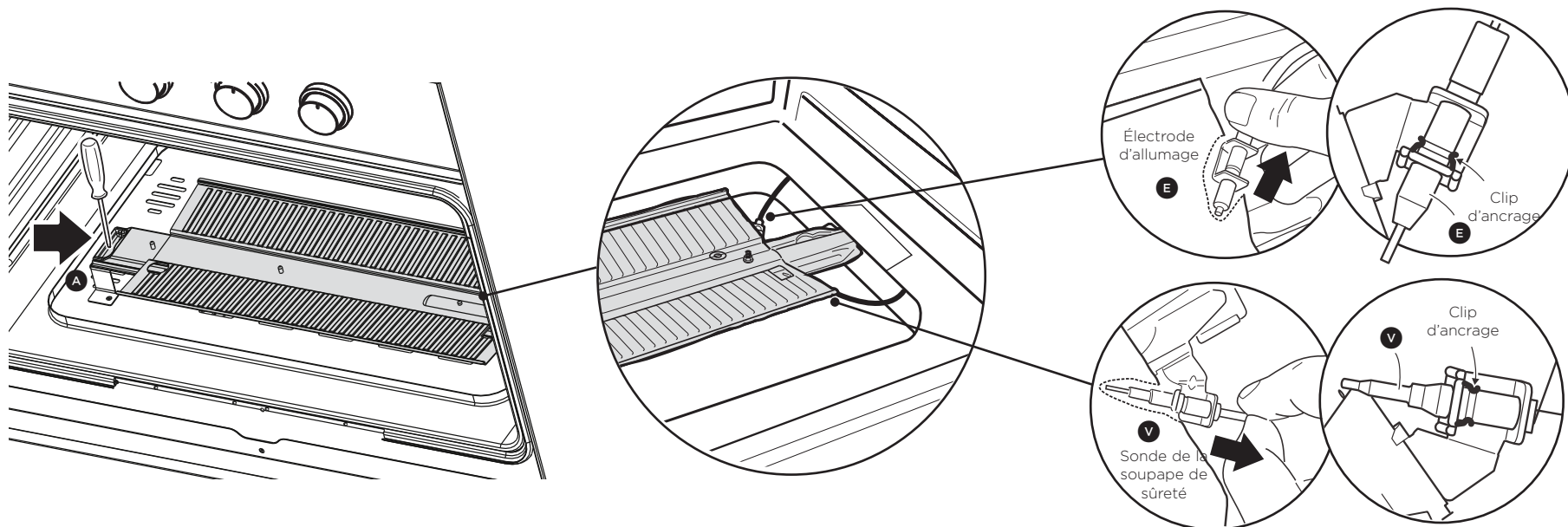
- Allumez le brûleur DOUBLE.
- Réglez la soupape de gaz à la position **LO** (débit minimum de l'anneau extérieur et débit maximum de l'anneau intérieur).
- Retirez le bouton.
- À l'aide d'un tournevis mince, tournez la vis de régulation à l'intérieur du plongeur, jusqu'à l'obtention d'un ajustement adéquat.

Pour le gaz de PÉTROLE LIQUÉFIÉ/PROPANE, serrez complètement les vis de réglage.



- A Vis de régulation (Brûleur à trois anneaux et brûleur semi-rapide)
- B Vis de régulation (Anneau intérieur du brûleur double)
- C Vis de régulation (Anneau extérieur du brûleur double)

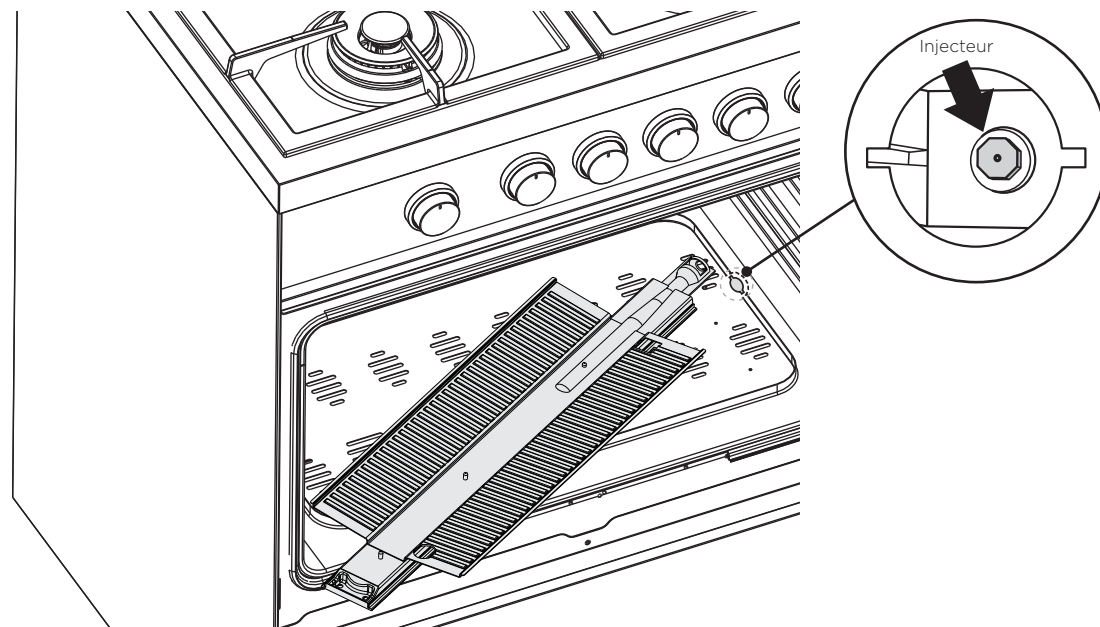
Remplacement de l'injecteur de brûleur de four inférieur



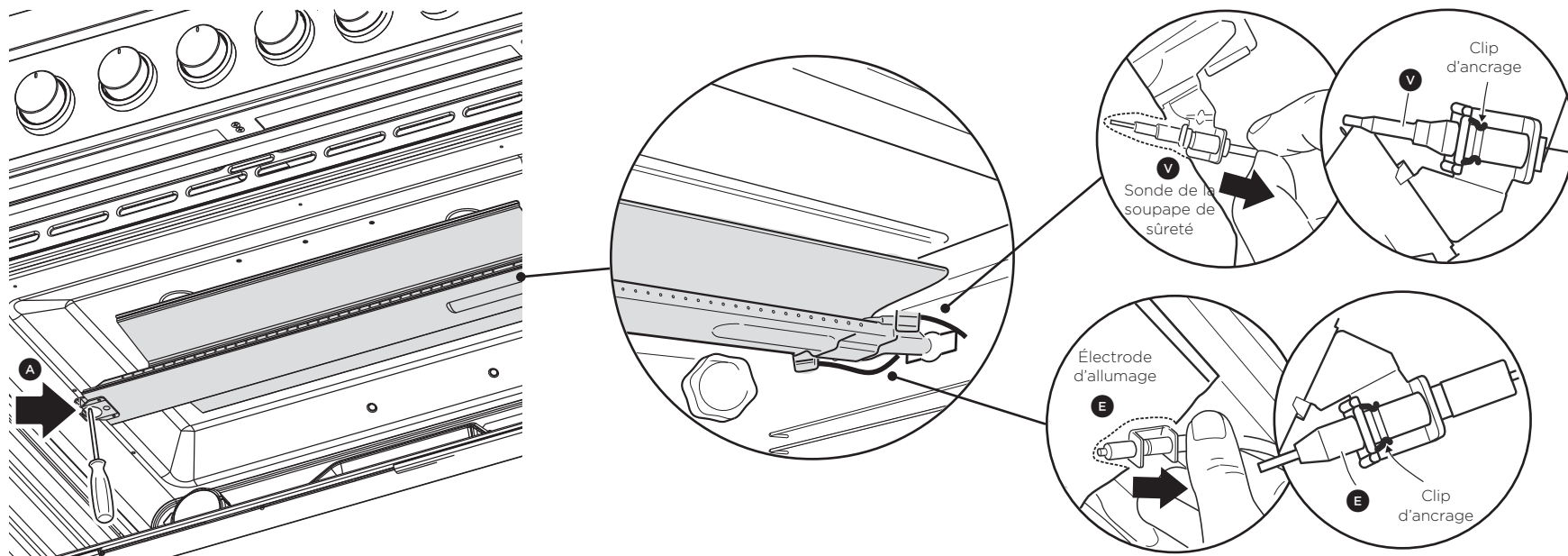
- ① Soulevez et retirez le panneau inférieur à l'intérieur du four.
- ② Déverrouillez délicatement la sonde de la soupape de sûreté (V) et l'électrode d'allumage (E) du brûleur. Veillez à ne pas endommager la sonde et l'électrode d'allumage.
- ③ Dévissez et retirez les vis de fixation du brûleur (A).
- ④ Retirez le brûleur comme illustré.
- ⑤ En utilisant une clé à douille de 9/32" (7 mm), dévissez l'injecteur et remplacez-le par le nouvel injecteur sélectionné conformément au 'Tableau des injecteurs'.
- ⑥ Réinstallez le brûleur et les autres composants.

IMPORTANT!

- Assurez-vous de réinstaller correctement la sonde de la soupape de sûreté (V) et l'électrode d'allumage (E).
- Vérifiez le fonctionnement adéquat de la soupape de sûreté et de l'électrode d'allumage.



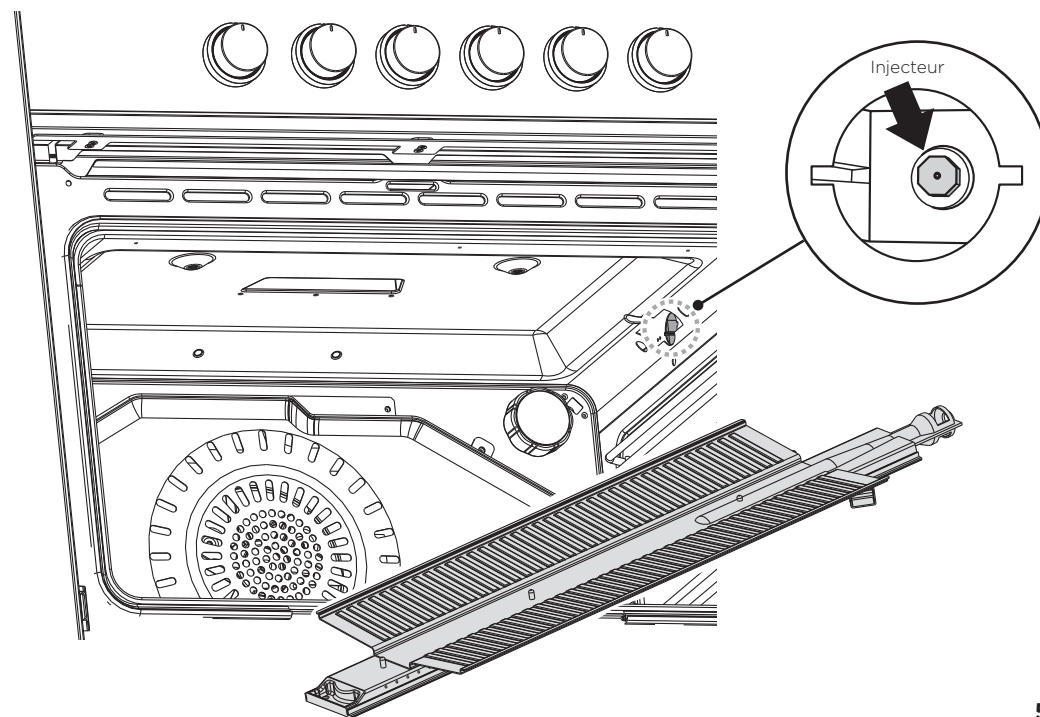
Remplacement de l'injecteur de brûleur de grillage du four



- ① Déverrouillez délicatement la sonde de la soupape de sûreté (V) et l'électrode d'allumage (E) du brûleur.
Veillez à ne pas endommager la sonde et l'électrode d'allumage.
- ② Dévissez et retirez la vis de fixation du brûleur (A).
- ③ Retirez le brûleur comme illustré ci-contre.
- ④ En utilisant une clé à douille de 9/32" (7 mm), dévissez l'injecteur et remplacez-le par le nouvel injecteur sélectionné conformément au 'Tableau des injecteurs'.
- ⑤ Réinstallez le brûleur et les autres composants.

IMPORTANT!

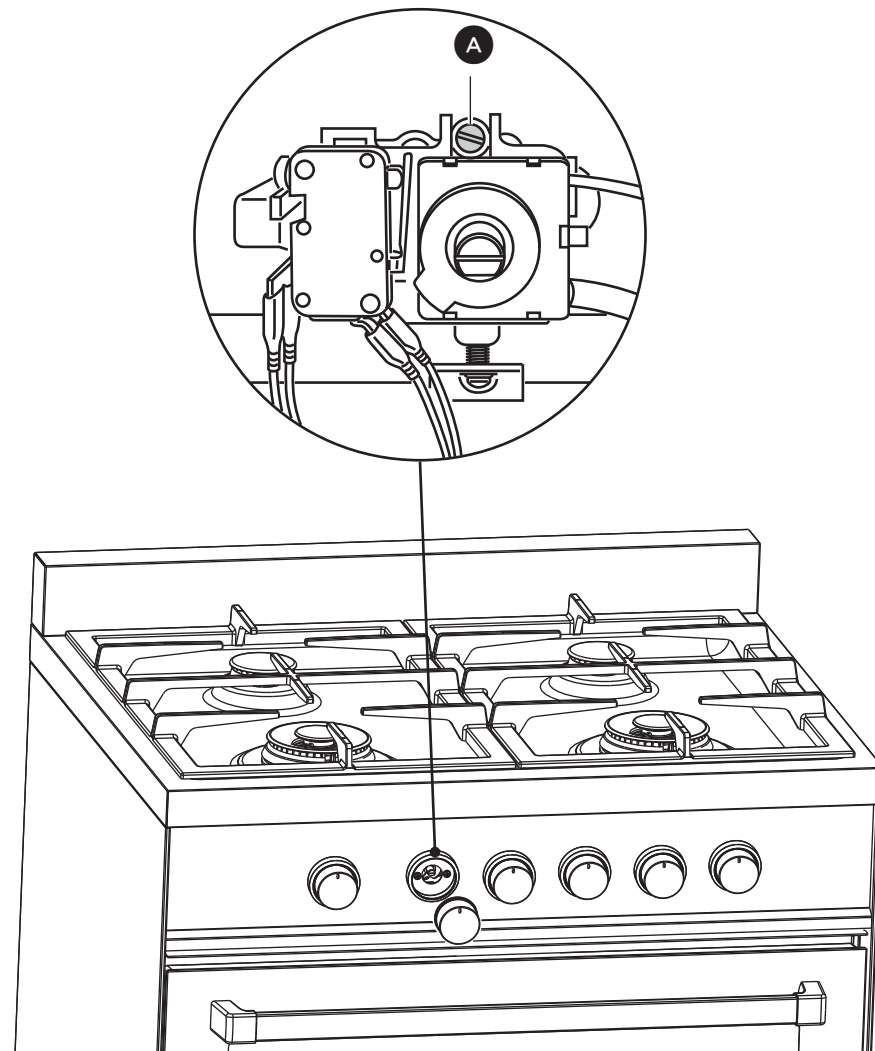
- Assurez-vous de réinstaller correctement la sonde de la soupape de sûreté (V) et l'électrode d'allumage (E).
- Vérifiez le fonctionnement adéquat de la soupape de sûreté et de l'électrode d'allumage.



Réglage de débit minimum du brûleur de four inférieur

- ① Allumez le brûleur en réglant le bouton du four au réglage de la température la plus élevée.
- ② Retirez le bouton et dévissez la vis de dérivation (A) d'environ trois tours en passant un petit tournevis à pointe plate (lame de $\varnothing 1/8''$ (3 mm), longueur de $3 15/16''$ (100 mm)) dans l'ouverture du panneau.
- ③ Réinstallez le bouton et laissez le four chauffer pendant environ 10 minutes, puis ramenez le bouton au réglage de la température la plus basse pour utiliser la dérivation de thermostat.
- ④ Retirez le bouton de nouveau. En veillant à ne pas tourner le plongeur, vissez lentement les vis de dérivation (A) jusqu'à l'obtention d'une flamme de $1/8-5/32''$ (3-4 mm) de hauteur.
La flamme ne doit pas s'éteindre, même lors du passage soudain du niveau de flamme maximum à minimum.

REMARQUE : Pour le gaz de PÉTROLE LIQUÉFIÉ/PROPANE, la vis de dérivation doit être bien fixée.



✓ À ÊTRE REMPLIE PAR L'INSTALLATEUR

GÉNÉRALITÉS

- Emplacement de l'appareil.
- Mesures de dégagement spécifiées respectées par rapport aux surfaces d'armoires.
- Appareil de niveau - de l'avant à l'arrière, d'un côté à l'autre.
- Matériaux d'emballage et courroies d'attache entièrement retirés.
- Garniture d'îlot ou dossier en option correctement fixé.
- Support antibasculement correctement installé.

ALIMENTATION ÉLECTRIQUE

- Connexion de mise à la terre adéquate.

ALIMENTATION EN GAZ

- Raccordement : NPT 1/2" avec conduite flexible de 5/8" (15,9 mm) de diamètre minimum.
L'alimentation en gaz sur le site est compatible avec le modèle de cuisinière et une pression suffisante est disponible (consultez la section "Raccordement du gaz").
- Le régulateur de pression est raccordé et correctement réglé pour 4,0" (101,6 mm) C.E. pour le gaz NATUREL ou 11,0" (279,4 mm) C.E. pour le gaz de PÉTROLE LIQUÉFIÉ/PROPANE.
- Robinet d'arrêt de gaz manuel installé dans un endroit facile d'accès.
- Appareil testé et exempt de fuites.

FONCTIONNEMENT

- Tous les matériaux d'emballage internes ont été retirés. Vérifiez en dessous des grilles de la surface de cuisson et à l'intérieur du four.
- Si l'appareil est utilisé avec du gaz de pétrole liquéfié, vérifiez que le régulateur de pression, les injecteurs de brûleur de la surface de cuisson et les injecteurs de brûleur du four (Modèles au gaz uniquement) ont été réglés pour l'utilisation avec du gaz de pétrole liquéfié.
- Les boutons tournent correctement et librement.
- Chaque brûleur s'allume correctement, que ce soit individuellement ou simultanément avec les autres brûleurs.
- Il est possible d'allumer le four (Modèles au gaz uniquement).
- Les charnières de la porte sont bien logées et la porte ouvre et ferme correctement.
- Les grilles de la surface de cuisson sont correctement positionnées, de niveau et stables.
- La flamme du brûleur de surface de cuisson est adéquate.

Remplir et conserver pour référence ultérieure :

Modèle _____

N° de série _____

Date d'achat _____

Acheteur _____

Adresse du détaillant _____

Nom de l'installateur _____

Signature de l'installateur _____

Entreprise d'installation _____

Date de l'installation _____

FISHERPAYKEL.COM

Droit d'auteur © Fisher & Paykel Appliances 2018. Tous droits réservés.
Les caractéristiques de produit présentées dans ce livret s'appliquent aux modèles et produits spécifiques qui y sont décrits à la date de publication. Dans le cadre de notre politique d'amélioration en permanence de nos produits, ces caractéristiques peuvent être modifiées à tout moment. Nous vous recommandons de vérifier auprès de votre détaillant que ce livret décrit le produit actuellement disponible.

