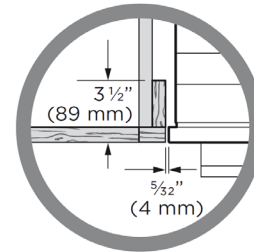
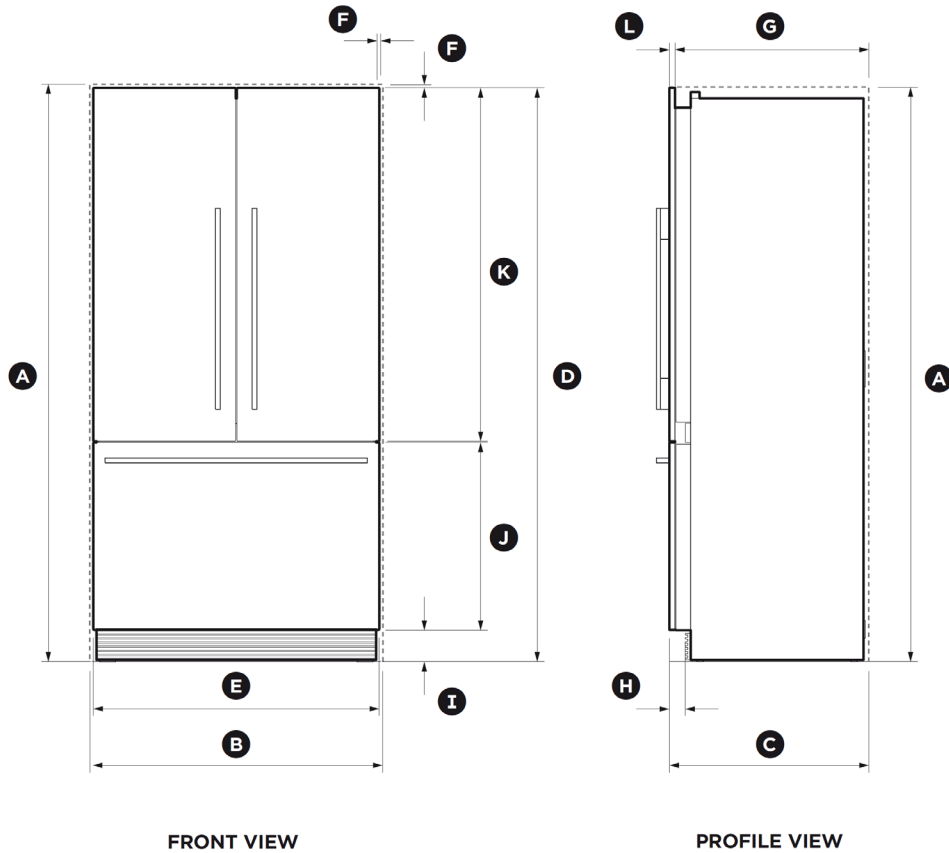


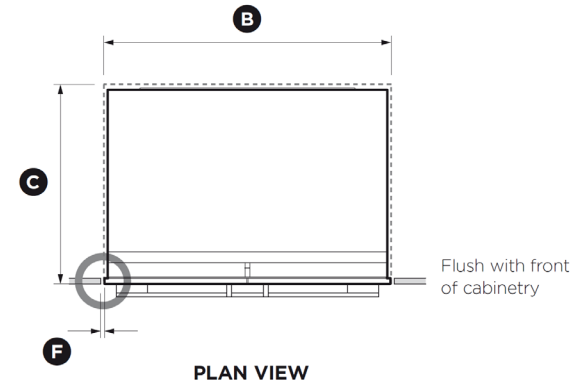


Capacité	
Capacité totale	16.8 pi.cu.
Compartment frais	11.7 pi.cu.
Congélateur	5.1 pi.cu.
Caractéristiques	
Configuration	Réfrigérateur encastrable à portes françaises
Distributeur à eau extérieur	Oui, Noir
Système de Gestion de la température	ActiveSmart™
Type de congélateur	Tiroir
Éclairage intérieur	DEL: Apparition en fondu
Tiroir déli à extension complète	1
Mode Sabbat	Oui
Accès à la glace	Compartment congélateur
Fermeture de porte en douceur	Oui
Angle d'ouverture de porte	90° à 120°
Panneau de contrôle SmartTouch™	Intérieur, avant droit
Machine à glace	Installée en usine
Filtration d'eau	Oui
Remplacement du filtre à eau	Derrière la grille d'aération
Cartouche de filtration de remplacement	#842802
Apparence extérieure	
Encastrable	Oui
Installation à affleurement	Avec cabinets adjacents
Profondeur comptoir	Oui
Couleur de la devanture	EZKleen™; Acier inoxydable
Pentures Dissimulées	Oui
Grade de l'acier inoxydable	430
Apparence intérieure	
Contours de portes intérieurs	Blancs
Panneau arrière	Argenté
Bacs à fruits et légumes	Transparents   Contours blancs
ActiveSmart™	
Compresseur	Variable
Gestion de la température	3 Capteurs de température électroniques
Dégivrage	Variable
Mode vacances	Automatique
Alarme de porte	Oui
Circulation d'air étagée	Oui
Plateau à recueillement d'humidité	Oui
Ventilateur de diffusion d'air	À vitesse variable
Conditions électriques	
Consommation énergétique	ENERGY STAR   561 kWh par année
Volts; Hertz; Amps	120V; 60Hz; 15 Amp
Dimensions	
Hauteur (po.)	71 27/32"
Largeur (po.)	35 21/32"
Profondeur (po) (panneaux inclus)	25"
Accessoires Inclus	
Supports à bouteille	4
Accessoire (requis)	
Panneau de finition en acier inoxydable EZKleen™	RD3672UFP
Garantie	
Garantie complète de 2 ans	Appareil complet; pièces et main d'oeuvre; à domicile
3 ans additionnels (5 ans total)	Système scellé; Compresseur; Pièces/main d'oeuvre; à domicile

### ④ PRODUCT AND CAVITY DIMENSIONS - WITH RD3672 DOOR PANEL SET



Framed: Finish return  
Note: shows adjoining cabinetry not sharing  $\frac{5}{32}$ " (4 mm) door gap



CAVITY DIMENSIONS	
	inches (mm)
Ⓐ Overall height of cavity	72" (1829)
Ⓑ Overall width of cavity (when adjoining cabinetry cannot share $\frac{5}{32}$ " (4 mm) door gap)	36" (914)
Ⓒ Overall depth of cavity	25" (635)

Total front panel width with required gaps at sides = 36" (914 mm) ((Ⓔ) product width + 2 x (Ⓕ) cabinetry gaps).  
Height of front panels with required gap above = (Ⓓ) product height + (Ⓕ) cabinetry gap.

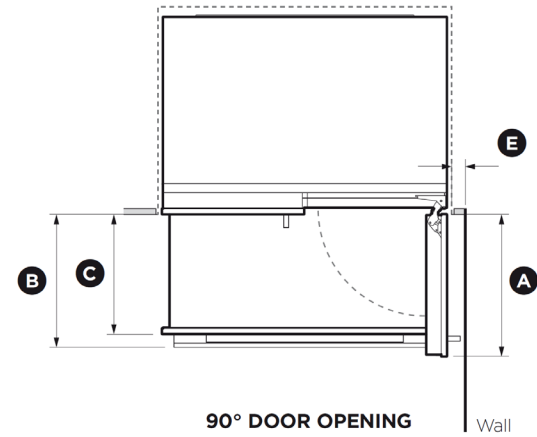
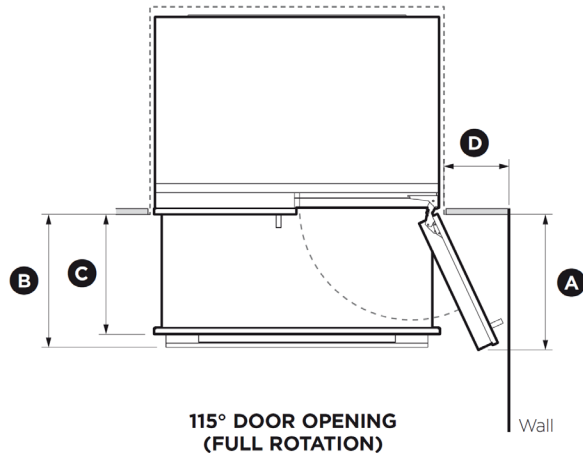
PRODUCT DIMENSIONS	
	inches (mm)
Ⓓ Overall height of product*	71 $\frac{27}{32}$ " (1825)
Ⓔ Overall width of product	35 $\frac{21}{32}$ " (906)
Ⓕ Minimum cabinetry gap clearance from edge of product	$\frac{5}{32}$ " (4)
Ⓖ Overall depth of product (excluding front door panels)	23 $\frac{3}{4}$ " (603)
Ⓗ Depth of toe kick (measured from front of door panels)	2" (51)
Ⓘ Height of grille/toe kick*	4" (102)
Ⓙ Height of bottom drawer panel	23 $\frac{15}{32}$ " (596)
Ⓚ Height of top door panels	44 $\frac{7}{32}$ " (1123)
Ⓛ Depth of product front panels (excludes handles)**	$\frac{3}{4}$ " (19)

\* Includes mounted feet.

\*\* Optional EZKleen stainless steel front panels - Model no. RD3672 (non-Water dispensing model) and model no. RD3672U (Ice & Water model).

RS36A72J model shown with RD3672 door panel set.

### ④ PRODUCT AND CAVITY DIMENSIONS - WITH RD3672/RD3672U DOOR PANEL SET

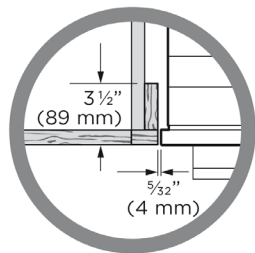
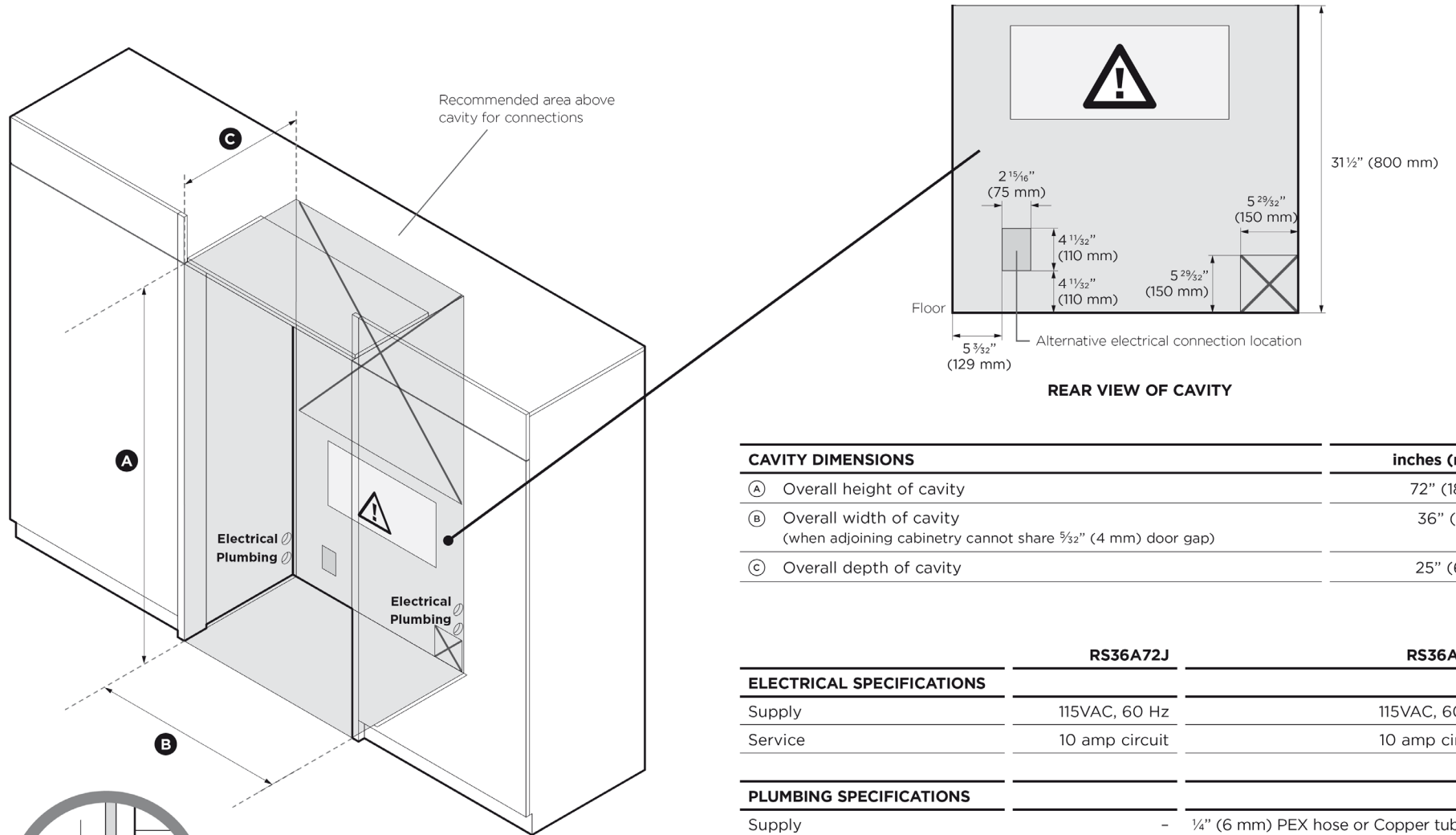


#### DOOR CLEARANCE DIMENSIONS

	inches (mm)
Ⓐ Depth of door (widest opening) measured from front of door	17 <sup>3</sup> / <sub>16</sub> " (440)
Ⓑ Depth of drawer (open) measured from front of drawer, including handle	15 <sup>3</sup> / <sub>4</sub> " (400)
Ⓒ Depth of drawer (open) measured from front of drawer, excluding handle	14 <sup>3</sup> / <sub>16</sub> " (360)
Ⓓ Minimum door clearance to adjacent wall* (115° - full internal access)	11 <sup>13</sup> / <sub>16</sub> " (300)
Ⓔ Minimum door clearance to adjacent wall* (90° - reduced internal access)	3 <sup>1</sup> / <sub>16</sub> " (100)

\* Measured from front cabinetry edge.

### 5 CAVITY PREPARATION



Frameless: Finish return, sides and top

CAVITY DIMENSIONS	inches (mm)
Ⓐ Overall height of cavity	72" (1829)
Ⓑ Overall width of cavity (when adjoining cabinetry cannot share 5/32" (4 mm) door gap)	36" (914)
Ⓒ Overall depth of cavity	25" (635)

	RS36A72J	RS36A72U
<b>ELECTRICAL SPECIFICATIONS</b>		
Supply	115VAC, 60 Hz	115VAC, 60 Hz
Service	10 amp circuit	10 amp circuit
<b>PLUMBING SPECIFICATIONS</b>		
Supply	-	1/4" (6 mm) PEX hose or Copper tubing*
Pressure	-	Minimum 22 psi (150 kPa) Maximum 120 psi (827 kPa) @ 20°C

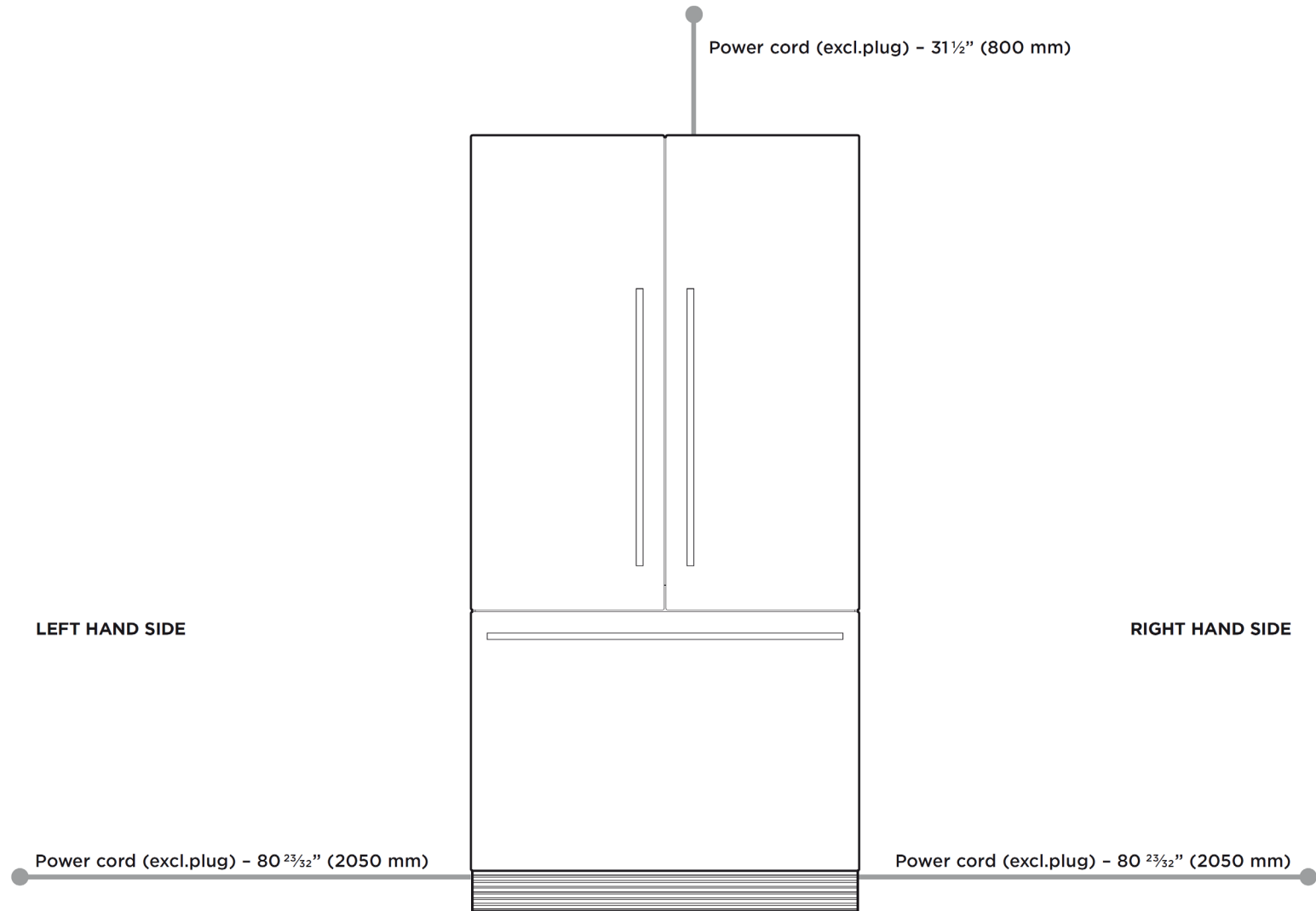
Note: recommended that the electrical and water connection be located above the fridge cavity. Optional to locate in an adjacent cabinet to either side of the fridge.

✗ Do not locate water or electricity in this area, keep clear of connections.

⚠ CAUTION: central area can only fit electrical plug if it is placed within a recessed cavity.

\* Water fittings kit - The standard appliance does not include water fittings. Standard Fisher & Paykel water fittings kit are available (part number: 841301). These parts need to be purchased separately by the customer and comply with local regulations.

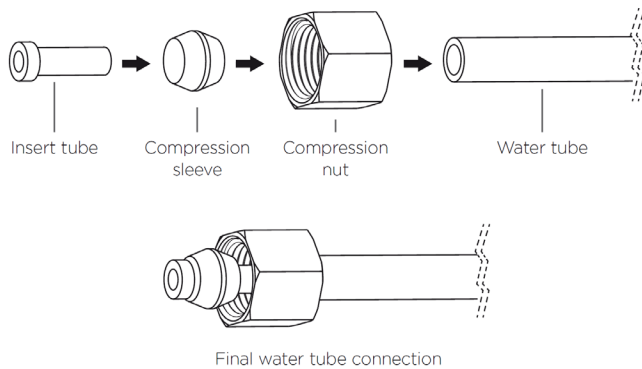
⑥ MAXIMUM DISTANCE OF POWER CORD



- 5** Position the appliance 1.5 - 2 ft. (450 - 600 mm) in front of the finished enclosure (refer to **D**). This will allow access behind the appliance for water and power connections.

At the back of the appliance, cut the water tube to a suitable length for connecting to the water outlet. Ensure there is enough tubing to pull the appliance out for service, if required.

- 6** Assemble the following water fittings onto the other end of the water tube.



- 7** Fasten the faucet connection to the cold water supply. Take care not to over-tighten the faucet connection. Turn isolating faucet on and check that all connections are dry and free of drips.

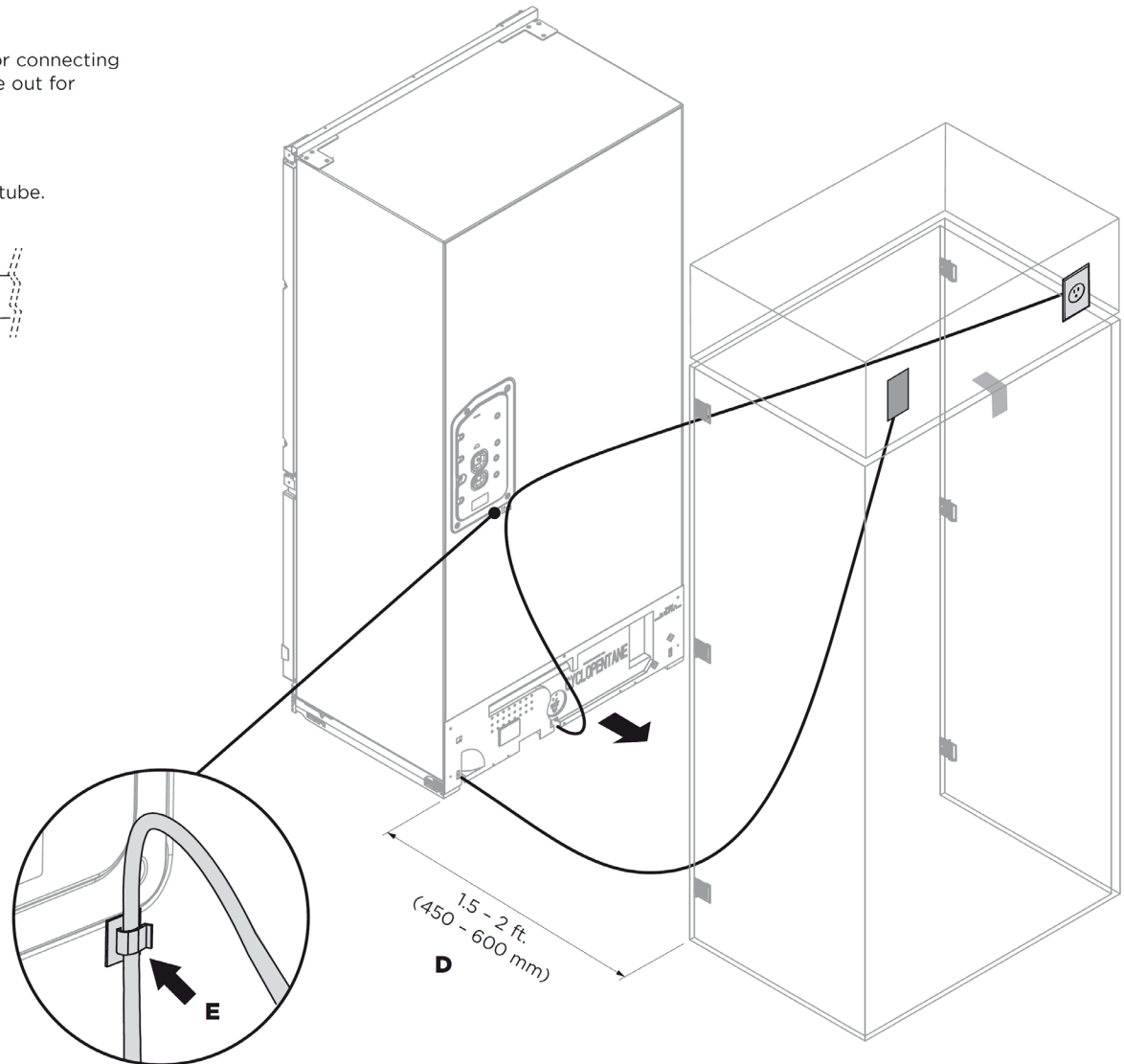
**8 Connecting power**

At the back of your appliance adhere the power cord clip.

Connect the appliance to the electrical supply (115 VAC, 60 Hz with the fitted plug and lead, and turn on. Ensure the appliance is connected to its own isolating switch.

Ensure excess power cord length is secured onto the clip (refer to **E**).

When pushing the appliance into position, take care not to roll over or damage the power cord and/or water tubing.



**IMPORTANT!**

- Ensure water tubing is routed away from any sharp objects, sharp corners (beware of kinking the tube as this will stop water flow), and not in a location where it can be kinked or squashed.
- Ensure a firm contact is observed as the appliance engages the anti-tip bracket, 2 3/8" min. (60 mm) overlap.

# Fisher & Paykel



## L'embauche d'un installateur qualifié est fortement recommandé.

Les réfrigérateurs encastrables nécessitent un soin particulier et doivent être installés convenablement. Nous vous recommandons les deux entreprises ci-jointes qui ont été formées et certifiées pour effectuer le travail selon les règles de l'art.

### Le tarif fixe d'installation comprend:

La mise à niveau, l'installation et ajustement des panneaux et le raccordement de la valve d'entrée d'eau.

### Montréal, Rive-Nord

Installation I.L.M.  
**514-825-5077**  
laurent.marin@hotmail.com

### Montréal, Rive-Sud

Groupe Certa  
**514-617-0954**  
info@electro.groupecerta.ca

### Québec

Appareil Ménager Giasson Laco  
**418-877-5531**  
mjblouin@giassonlaco.com  
g.labarre@giassonlaco.com

*N'hésitez pas à communiquer avec nous pour toutes autres informations*

2255, boul. Dagenais Ouest, Laval, H7L 6B1  
T: 450 963-1303 t: 1 888 651-2534

**AGI**  
SERVICE