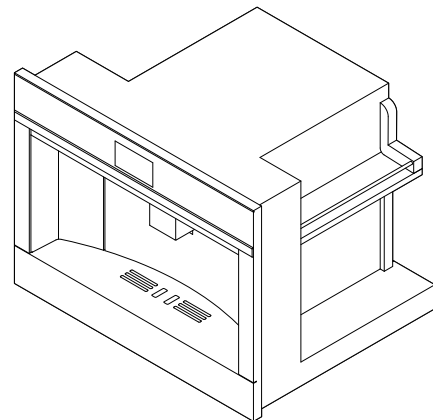


# COFFEE MAKER

---

EB24 models



# IMPORTANT SAFETY INSTRUCTIONS!

## Installation

<b>⚠ WARNING!</b>	
	<p><b>Cut Hazard</b> Take care – some edges are sharp. Failure to use caution could result in injury or cuts.</p>

### Checking for transport damage

After removing the packaging, make sure the product is complete and undamaged and that all accessories are present. Do not use the appliance if it is visibly damaged. Contact Customer Care.

### IMPORTANT!

- Installation must be performed by a qualified professional in compliance with legislation in force in the country of installation.
- Never install the appliance in rooms where the temperature may drop to 32°F (0°C) or lower.
- This appliance can be installed over a built-in oven if the latter is fitted with a cooling fan at the rear (maximum microwave power: 3 kW).
- Ensure the appliance is fully secured. Failure to do so may result in an unstable product, which may cause damage or injury.
- Connect to a properly rated, protected and sized power supply circuit to avoid electrical overload.
- Make sure that the power supply cord is located so that it will not be stepped on, tripped over or otherwise subject to damage or stress.

### Connecting the appliance

This appliance should be connected to a circuit which incorporates an isolation switch providing full disconnection from the power supply.

### DANGER!

- Check that the mains power supply voltage corresponds to the value indicated on the rating plate on the bottom of the appliance.
- Connect the appliance to an efficiently earthed and correctly installed socket with a minimum current rating of 10A only.
- If the power socket does not match the plug on the appliance, have the socket replaced with a suitable type by a qualified professional.
- To comply with safety directives, an omnipolar switch with a minimum contact distance of 1/8" (3mm) must be installed.
- Do not use multiple sockets or extensions.
- Safety cutout devices must be included in the mains power supply in compliance with the installation regulations in the country concerned.
- This appliance conforms to EC Regulation 1935/2004 on materials and articles intended to come into contact with food.

## MAINTENANCE

- Do not repair or replace any part of the appliance or attempt any servicing unless specifically recommended in this user guide.
- We recommend that you contact Customer Care to arrange service. See your 'Service and warranty' booklet for contact details.
- To prevent damage to the appliance do not use alkaline cleaning agents when cleaning, use a soft cloth and a mild detergent.
- If the plug or power cable is damaged, it must be replaced by an authorized technical only to avoid all risk.
- Appliances with removable cord: avoid splashes of water on the power cord connector or socket at the back of the appliance.
- Do not place weight onto the coffee machine when it is out of the cabinet.
- Do not rest containers with liquids or inflammable or corrosive materials on top of the appliance.
- Do not rest large objects which could obstruct movement or unstable objects on the appliance.
- Never turn off the machine during descaling.
- The first time you use the appliance, or if it is not used for more than three or four days, rinse all removable accessories which may come into contact with water or milk with hot water.
- If the appliance is not used for more than three or four days, prior to re-using the appliance, rinse the water circuit as described in this manual.
- You should diligently carry out automatic cleaning and guided maintenance when prompted by the appliance through the display as described in this manual.
- Choking hazard. The appliance might contain small parts. Some of those small parts might be required to get disassembled during cleaning and maintenance operations.
- Handle with care and keep small parts out of reach of children.
- Cleaning and user maintenance shall not be made by children without supervision.

### Disposal

The appliance must not be disposed of with household waste, but taken to an authorised waste separation and recycling centre.

### Operational

- Customise the water hardness as soon as possible following the instructions in the 'Water hardness' section.
- Keep hands clear of the coffee spout when in operation. The temperature of liquid that flows from the spout could result in burns.
- During the rinse cycle hot water flows from the spout. Please keep hands clear of the spout to avoid the risk of burns.
- This appliance produces hot water and steam may form while it is in operation.
- Models with glass surfaces: do not use the appliance if the surface is cracked.
- Do not use the appliance when it is out the cabinet. Make sure the appliance is turned off before extracting it. The only exception is adjusting the coffee mill which must be done with the machine extracted (see section 'Adjusting the coffee mill').

Note: Use original or manufacturer recommended accessories and spare parts only.

## IMPORTANT! SAVE THESE INSTRUCTIONS

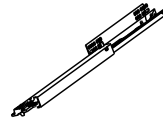
The models shown in this installation guide may not be available in all markets and are subject to change at any time. For current details about model and specification availability in your country, please go to our website [fisherpaykel.com](http://fisherpaykel.com) or contact your local Fisher & Paykel dealer.

## ② PARTS SUPPLIED

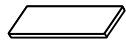


Screws  
(7)

Rails (2)



Clip (1)



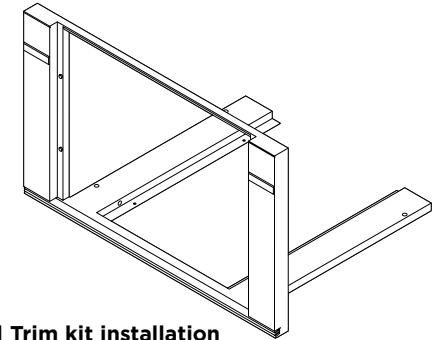
Spacers  
(4) for side  
(4) for bottom

## ③ PRIOR TO INSTALLATION

- The countertop and coffee maker cavity are square and level, and are the required dimensions.
- The installation will comply with all clearance requirements and applicable standards and regulations.
- The isolating switch will be easily accessible to the customer with the coffee maker installed.
- The electrician provides sufficient free length of power supply cable to reach from the bottom rear of the cavity to at least 59 1/16" (1.5m) in front of the bottom edge of the opening.
- The cable may enter the cavity from the side, top or bottom, but top entry must be at the rear of the cavity.
- The coffee maker connection socket (if fitted) is outside the cavity if the oven is flush to the rear wall.
- The coffee maker will rest on a surface that can support its weight.
- The height from the floor suits the customer.
- You consult local building authorities and by-laws if in doubt regarding installation.

### IMPORTANT!

**Some environmental factors and cooking habits can cause condensation in and around the coffee maker during use. To protect surrounding cabinetry from possible damage caused by frequent or excessive condensation, we recommend moisture-proofing the cavity.**



### Optional Trim kit installation

If you are using a 30" (762mm) trim kit, refer to the separate Trim Kit Installation Guide.

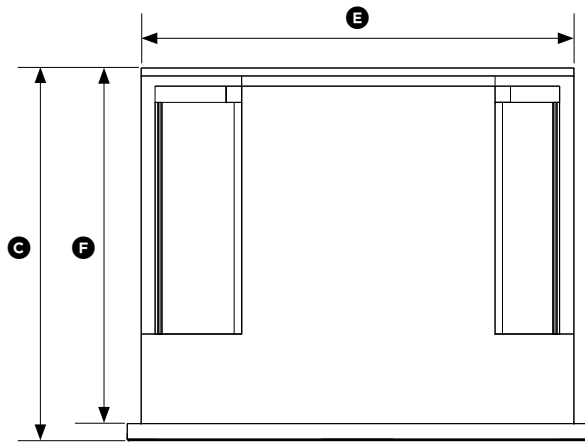
## ④ AFTER INSTALLATION

### IMPORTANT!

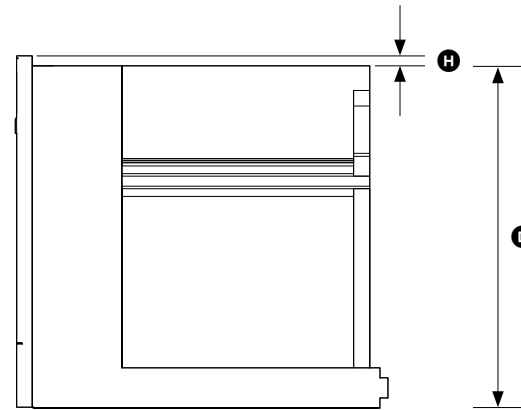
**Take extra care not to damage the lower trim of the coffee maker during installation. The trim is important for correct air circulation and allows the door to open and close without obstruction. The manufacturer does not accept any responsibility for damage resulting from incorrect installation.**

- The coffee maker can be used fully without obstruction.
- The power supply cable does not touch any hot metal parts.
- The isolating switch is easily accessible to the customer with the coffee maker installed.
- You complete the 'Final checklist' at the end of the installation.
- If, after following the instructions given, correct performance cannot be achieved, please contact your nearest Fisher & Paykel Authorized Service Center, Customer Care, or contact us through our local website listed at the end of this document.

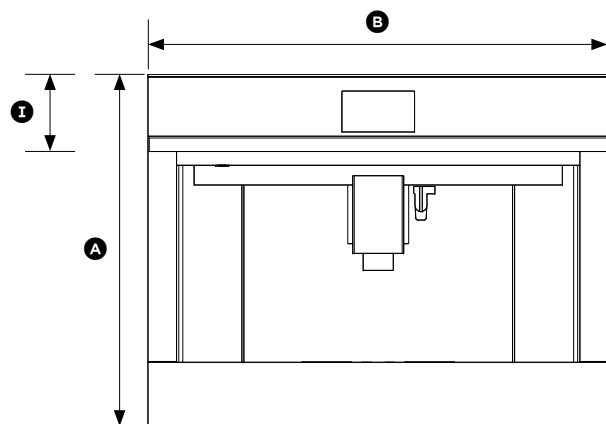
## 5 PRODUCT DIMENSIONS



TOP



SIDE



FRONT

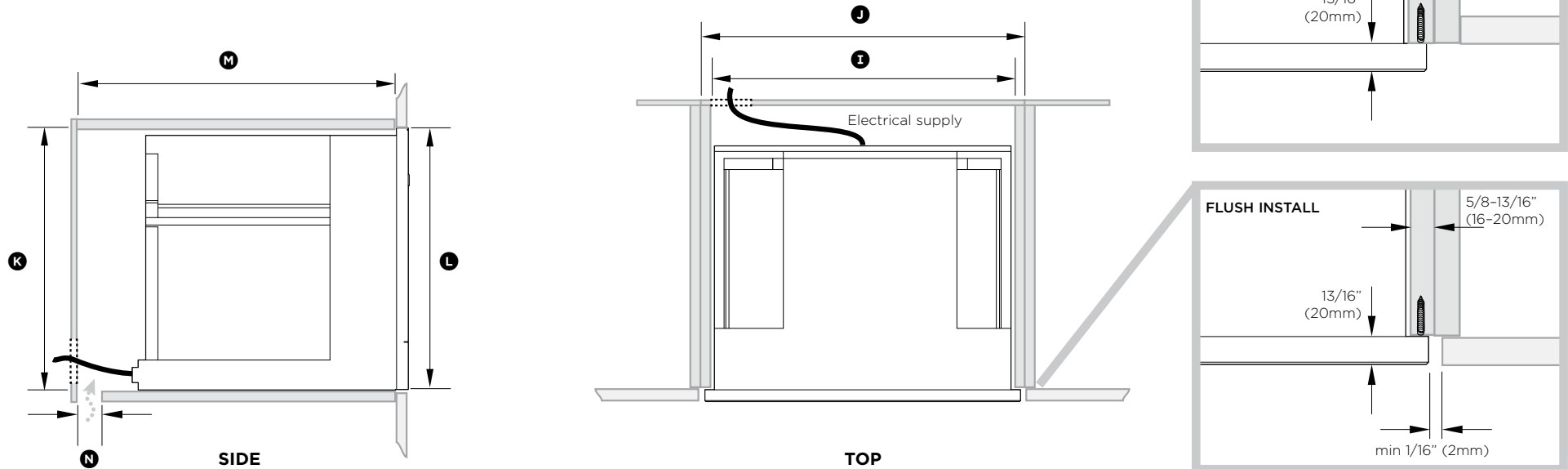
PRODUCT DIMENSIONS	EB24 MODELS
	inches (mm)
(A) Overall height of product	18" (458)
(B) Overall width of product	23 1/2" (596)
(C) Overall depth of product (excluding dials)	18 7/8" (480)
(D) Height of chassis	17 1/2" (445)
(E) Width of chassis	22 1/16" (560)
(F) Depth of chassis	18 1/8" (460)
(G) Depth of coffee maker frame and control panel	13/16" (20)
(H) Stepdown control panel to chassis	1/2" (13)
(I) Height of control panel	4" (100)

## 6 A CABINETY DIMENSIONS (18 1/8" (460mm) HIGH CAVITY)

Verify the minimum measurements required for correct installation of the appliance. The coffee maker must be installed in a column and the column must be firmly fixed to the wall with commercially available brackets.

### IMPORTANT!

- All installation or maintenance operations must be performed with the appliance disconnected from the mains electricity supply.
- Kitchen furniture in direct contact with the appliance must be heat resistant 149°F min (65°C min).
- To guarantee correct ventilation, leave a gap at the bottom of the cabinet (see measurements below).



CABINETY DIMENSIONS	EB24 MODELS	
	inches (mm)	
ⓐ Minimum inside width of cavity	22 1/16" (560)	
ⓑ Overall width of cabinetry	23 5/8" (600)	
Ⓚ Minimum inside height of cavity	17 3/4" (450)	
Ⓛ Overall height of cabinetry	18 1/8" (460)	
Ⓜ Minimum inside depth of cavity	21 7/16" (545)	
Ⓝ Ventilation Air Gap	2" (50)	

## 6 B CABINETS DIMENSIONS (18 7/8" (480mm) CAVITY TRIM KIT)

Verify the minimum measurements required for correct installation of the appliance. The coffee maker must be installed in a column and the column must be firmly fixed to the wall with commercially available brackets.

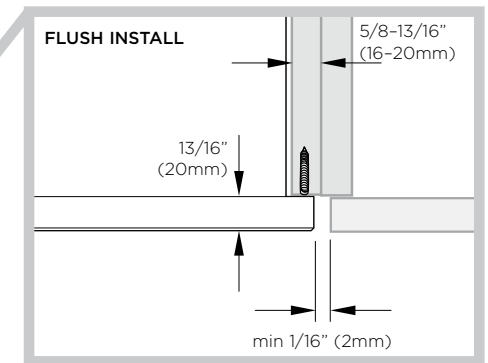
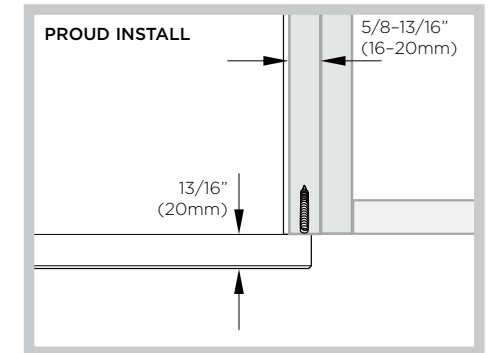
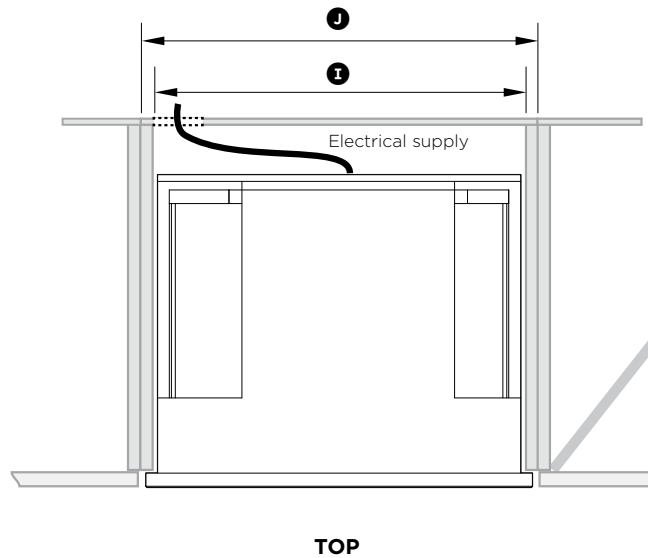
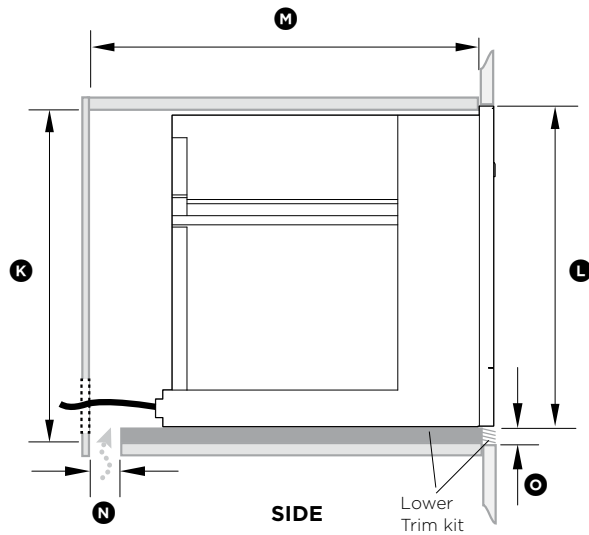
### Lower Trim Kit

The Lower Trim kit shown is available to order separately from [fisherpaykel.com](http://fisherpaykel.com).

To install the trim kit, refer to the instructions which accompany it.

### IMPORTANT!

- All installation or maintenance operations must be performed with the appliance disconnected from the mains electricity supply.
- Kitchen furniture in direct contact with the appliance must be heat resistant 149°F min (65°C min).
- To guarantee correct ventilation, leave a gap at the bottom of the cabinet (see measurements below).

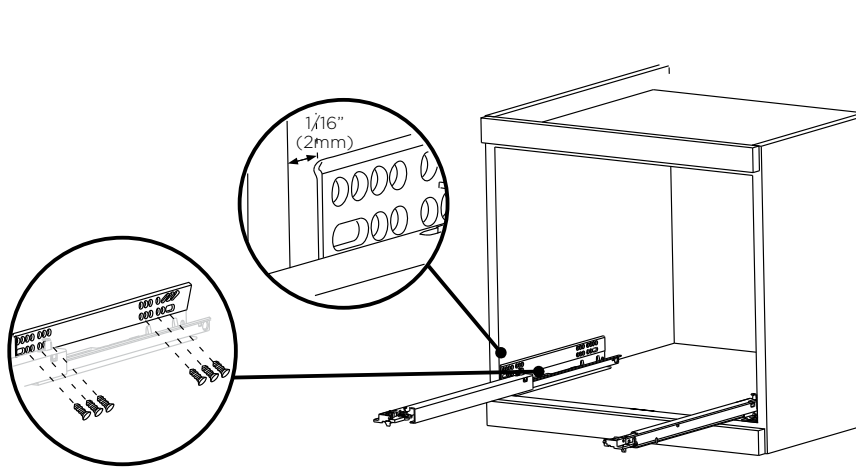


### CABINETS DIMENSIONS

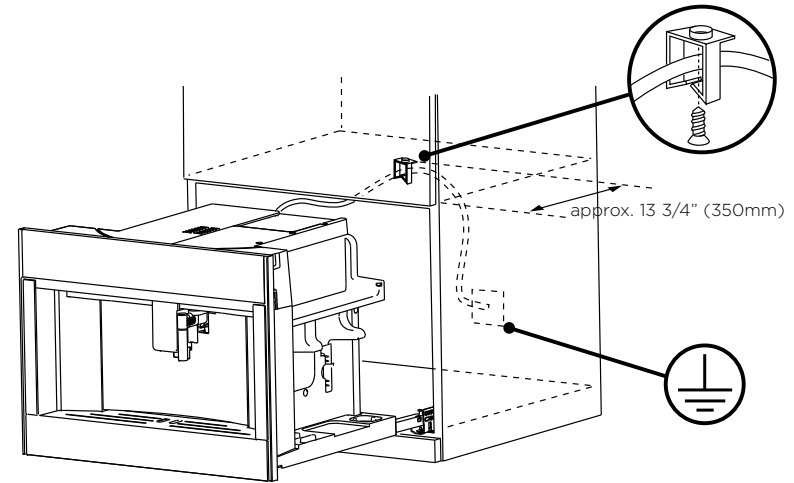
### EB24 MODELS

	inches (mm)
ⓐ Minimum inside width of cavity	22 1/16" (560)
ⓑ Overall width of cabinet	23 5/8" (600)
ⓒ Minimum inside height of cavity	18 1/2" (470)
ⓓ Overall height of cabinet	18 7/8" (480)
ⓔ Minimum inside depth of cavity	21 7/16" (545)
ⓕ Ventilation air vent	2" (50)
ⓖ Height of trim kit	13/16" (20)

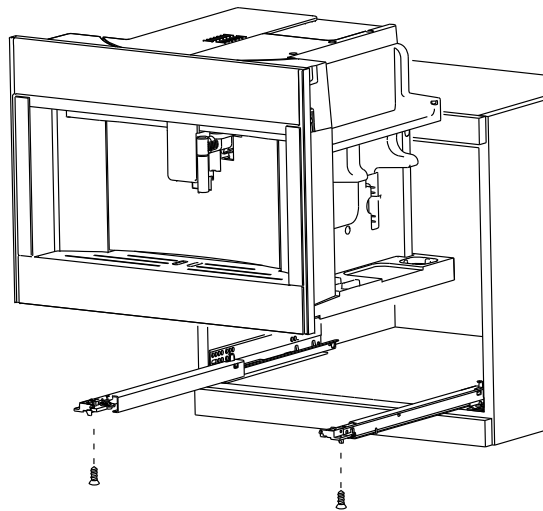
## ⑦ INSTALLATION INSTRUCTIONS



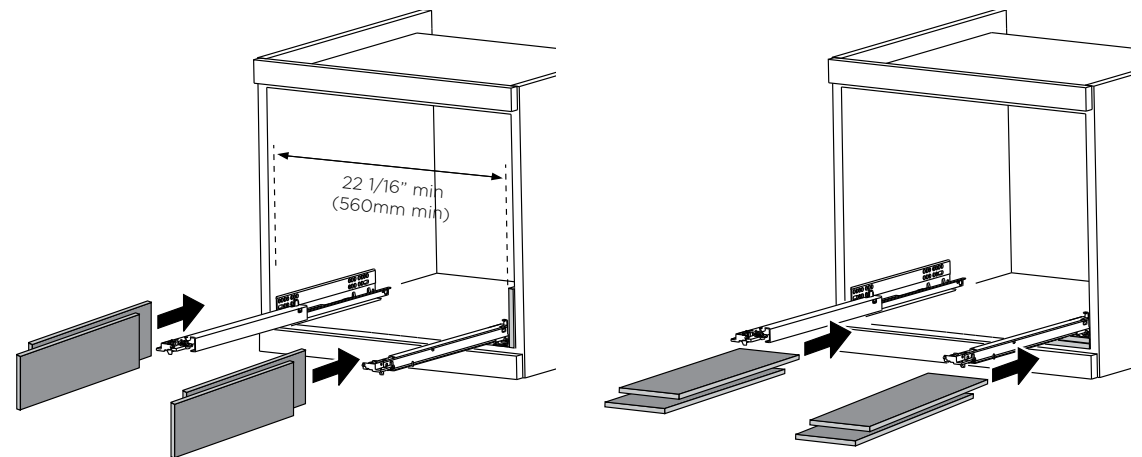
- ① Position the rails on the sides of the cabinet. Fix with the screws provided, then extract them completely.
- If the coffee maker is installed over a warmer drawer, use the top surface of this as a reference to position the rails.
  - In this case, there will be no surface to rest the rails on.
  - Position and fix the lock hook with the four screws provided, as shown in the figure.



- ② Fix the power cable with the clip. The power cable must be long enough to allow the appliance to be extracted from the cabinet to fill the coffee bean container.
- The appliance must be earthed in compliance with legislation.
  - Electrical connections must be performed by a qualified electrician following the instructions.



- ③ Position the appliance on the rails, making sure the pins are correctly inserted in the housings, then fix it with the screws supplied. If the height of the appliance requires adjusting, use the spacer disks provided.



- ④ If necessary, correct alignment of the appliance by positioning the spacers supplied under or at the sides of the support.

✓ **TO BE COMPLETED BY THE INSTALLER**

- Make sure the coffee maker is level and securely fitted to the cabinetry.
- Check the lower trim is undamaged.
- Check there is adequate clearance. This is to ensure correct air circulation.
- Make sure any cable ties and internal packaging has been removed from the coffee maker cavity.
- Make sure all coffee maker vents and openings are clear and free of any obstruction or damage.

**IMPORTANT!**

**Failure to make sure all vents are clear may result in poor product performance.**

- Make sure the isolating switch is accessible by the customer.

**TEST OPERATION:**

- Turn the power to the coffee maker on. The display should light up.
- Have you demonstrated the basic operation to the customer?
- Fill the water tank to the indicated level.

Complete and keep for safe reference:

Model \_\_\_\_\_

Serial No. \_\_\_\_\_

Purchase Date \_\_\_\_\_

Purchaser \_\_\_\_\_

Dealer Address \_\_\_\_\_

Installer's Name \_\_\_\_\_

Installer's Signature \_\_\_\_\_

Installation Company \_\_\_\_\_

Installation Date \_\_\_\_\_

**FISHERPAYKEL.COM**

Copyright © Fisher & Paykel Appliances 2017. All rights reserved.  
The product specifications in this booklet apply to the specific products and models described at the date of issue. Under our policy of continuous product improvement, these specifications may change at any time. You should therefore check with your Dealer to ensure this booklet correctly describes the product currently available.