



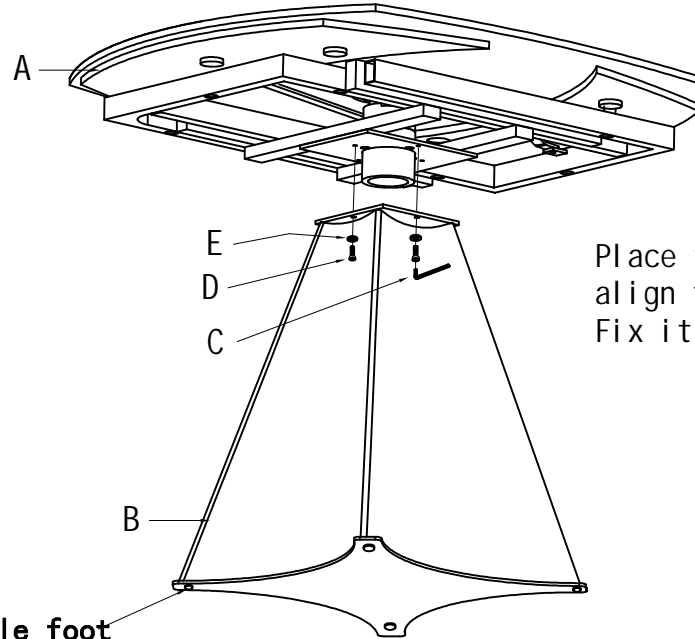
Instructions

Emerald-D39/Ruby-D51 Dining Table

Parts

NO.	Picture	Description	Size	QTY
A		Top	1300*890*130mm	1
B		Metal Leg	530*590*630mm	1




STEP: 1



Place the top on the metal base and align the hole position. Fix it with E, D and lock it with C.

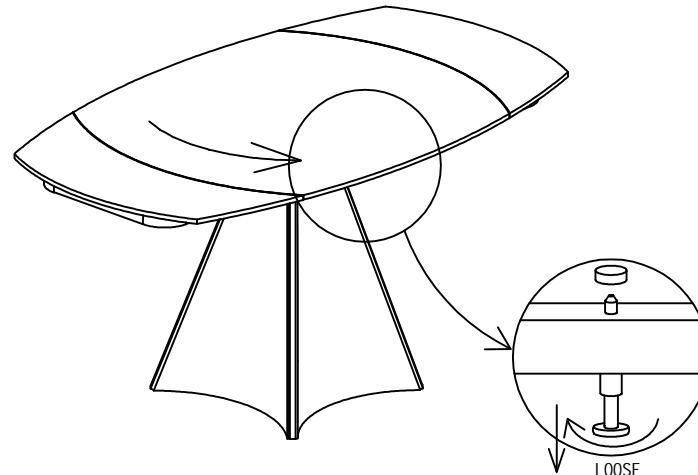
Four adjustable foot

Hardware

NO.	Picture	Description	Size	QTY
C		Allen Key	5mm	1
D		Bolt	M6*20	4
E		Flat Washer	ø17*2	4

STEP: 2

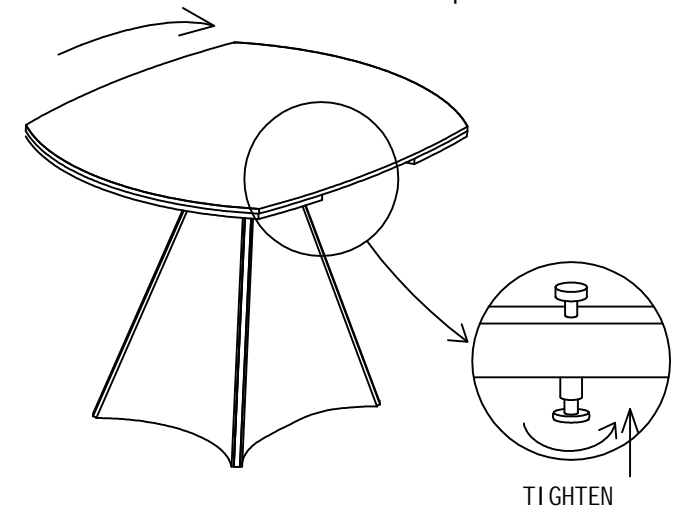
Loosen the bolt under the top, rotate the top and open it, and fix the top with a bolt



Overall Size: 2000*890*740MM

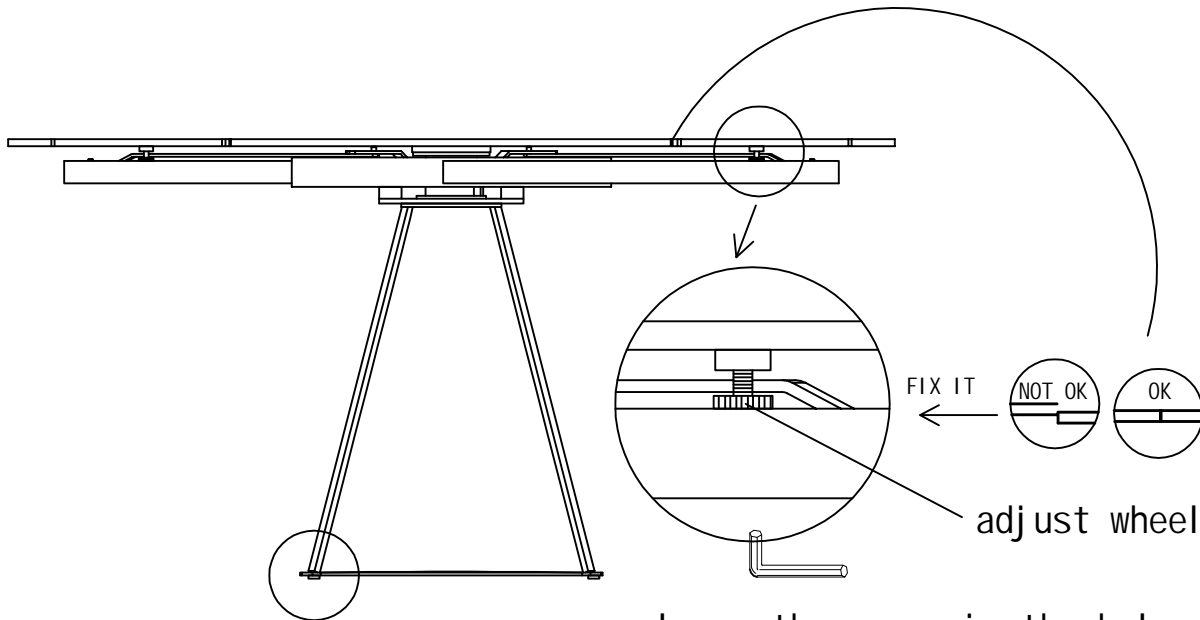
STEP: 3

Loosen the bolt under the top, rotate the top and fold it up, and fix the top with a bolt

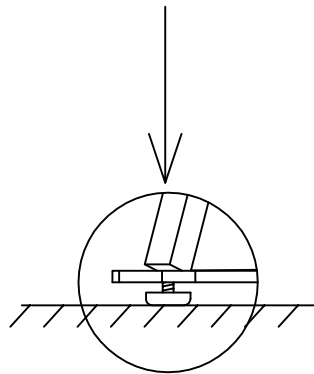


Overall Size: 1300*890*740MM

Instructions



Loose the screw in the hole,
adjust wheel to keep balance

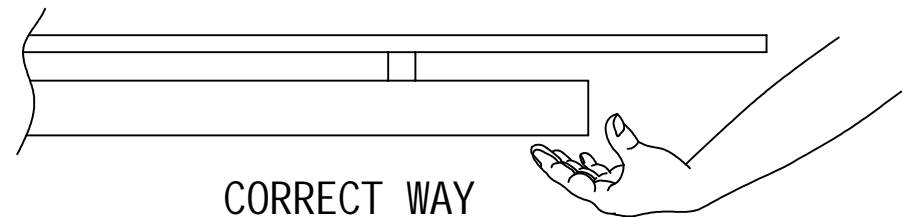


adjust adjustable foot to keep balance



Overall Size: 2000*890*740MM

! WARNING!
DO NOT LIFT USING GLASS TOP
LIFT USING METAL FRAME



CORRECT WAY