

ASSEMBLY INSTRUCTIONS

MODEL : 5355 (storage)

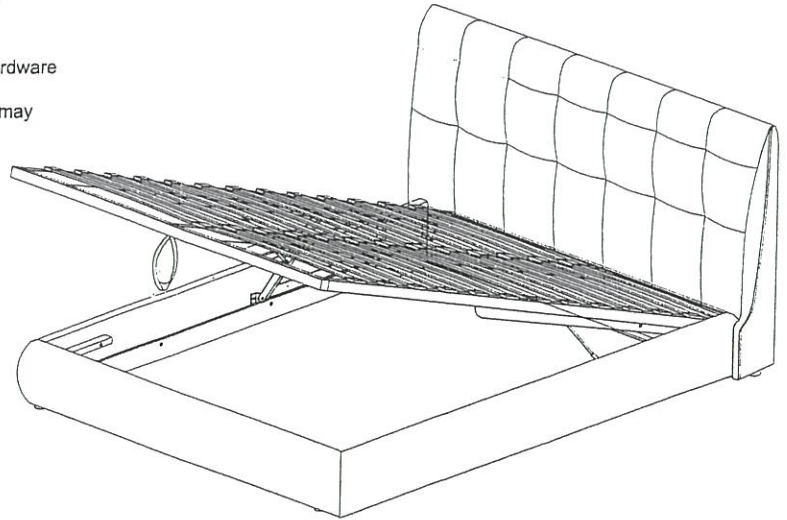
Lit Dream.

Thanks you for purchasing this quality product. Be sure to lay all components on a soft and clean surface before assembly in order to avoid components from being scratched.

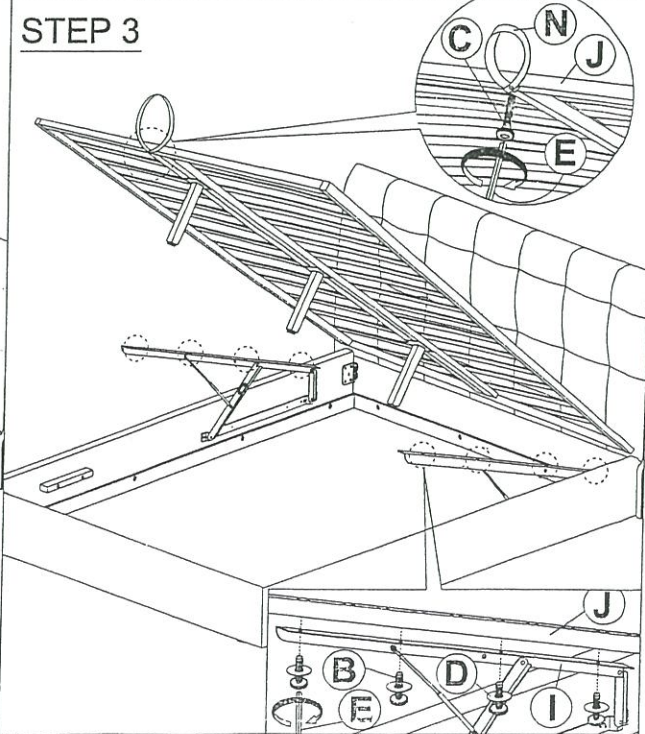
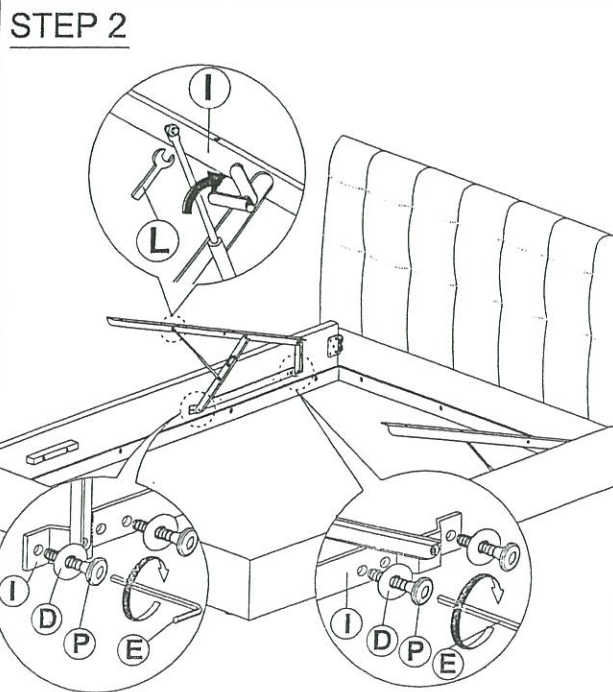
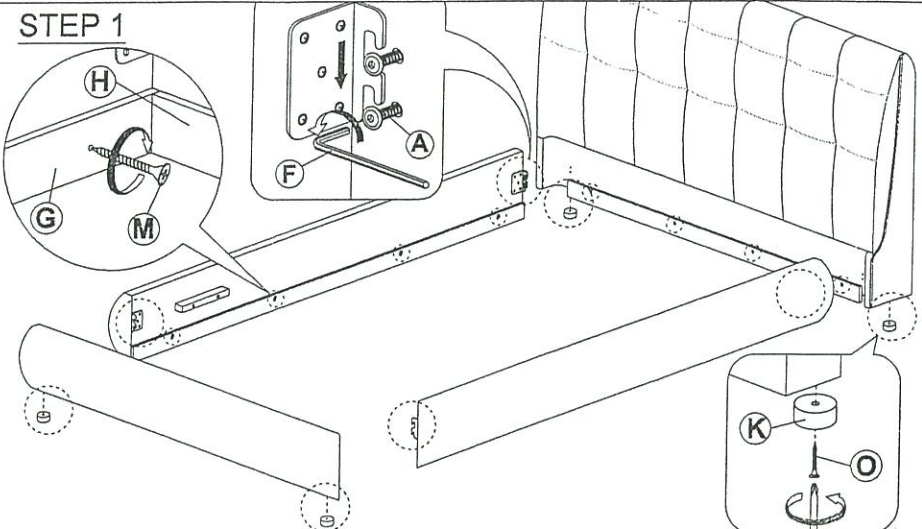
CAUTIONS :

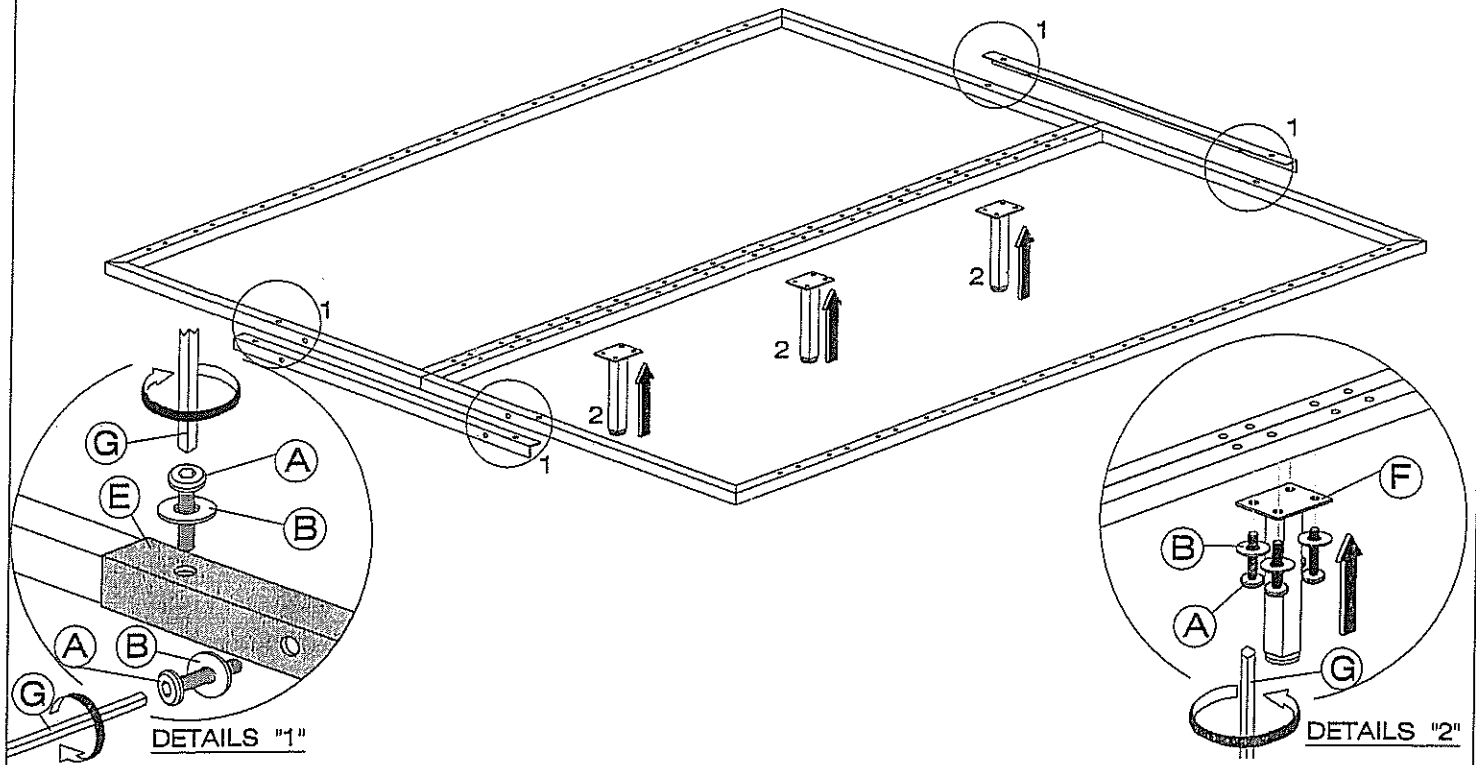
1. Check contents against list for quantity.
2. Familiarize yourself with the components and hardware by reviewing the Assembly Instructions.
3. Do not over tightened the screws and bolts as it may damage the threads.
4. Keep all hardware parts out of the reach of children.

HARDWARE LIST		
NO.	DESCRIPTION	QTY
A	M8 X 25MM JCBB SCREW *COME ATTACHED IN HEADBOARD -4PCS *COME ATTACHED IN FOOTBOARD -4PCS	
B	M6 X 20MM JCBC SCREW	8 PCS
C	M6 X 25MM JCBC SCREW	1 PC
D	WASHER	16 PCS
E	M4 ALLEN KEY	1 PC
F	M5 ALLEN KEY	1 PC
G	SUPPORT SIDE RAIL (LONG)	2 PCS
H	SUPPORT SIDE RAIL (SHORT)	2 PCS
I	METAL SUPPORTER (L&R)	1 SET
J	SLAT+FRAME	1 SET
K	LEG	4 PCS
L	SPANNER	1 PC
M	M4 X 30MM CHIPBOARD SCREW	16 PCS
N	BELT	1 PC
O	M4 X 38MM CHIPBOARD SCREW	4 PCS
P	M6 X 35MM JCBC SCREW	8 PCS



COMPLETED ASSEMBLY





HARDWARE LIST

NO.	DESCRIPTION	QTY
A	M6 X 25MM JCBC SCREW	20PCS
B	FLAT WASHER	20PCS
C	END CAP	52PCS
D	WOOD SLAT	26PCS
E	METAL SUPPORT	2PCS
F	CENTRE SUPPORT	3PCS
G	M 4ALLEN KEY	1PC

STEP 2

