



Réfrigérateur à portes françaises à profondeur de comptoir et intérieur noir obsidienne RISE™, 72 po

JFFCC72EHL

Finis/couleurs disponibles

JFFCC72EHL
Acier Inoxydable

Dimensions

Hauteur	71 15/16
Largeur	35 3/4
Profondeur	29 5/16

Volumes AHAM et tablettes

Volume du congélateur (pi3)	6.30
Volume du réfrigérateur (pi3)	17.50
Volume total (pi3)	23.8

AHAM Volumes And Shelf Area

Refrigerator Volume (Cu Ft)	17.50
-----------------------------	-------

Distributeur

Largeur(IN, inches)	35 3/4
Type de glaçons	en cubes

Distributeur

Couleur de la palette du distributeur	Gris
---------------------------------------	------

Détails

Type de refroidissement	Double évaporateur
Isolation en mousse perfectionnée	NA
Advance Foam Insulation	NA
Profondeur de comptoir	Oui
Style de porte	Incurvée

Extérieur

Couleur de la grille de base	Noir
Couleur de la caisse	Gris

Ce réfrigérateur non encastré est une représentation haut de gamme de design et performance. Il est doté d'un intérieur noir obsidienne exclusif dans l'industrie et de la connectivité au WiFi accessible par iOS et appareils androïdes. Le système Twin Fresh™ vous permet une excellente gestion de la température, grâce à des fonctions additionnelles tel le mode Pure Freeze® pouvant maintenir une température de -6 °F dans le congélateur.

Caractéristiques clés

Intérieur noir obsidienne

Connectivité WiFi

Système de contrôle de température Twin Fresh™

Guides et documentation:

- CAD Image
- Dimension Guide
- Energy Guide
- Use and Care Guide
- Warranty Information

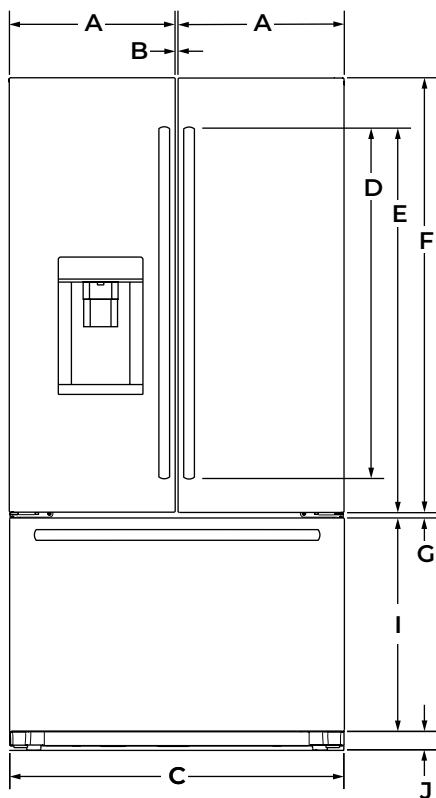


72" COUNTER-DEPTH FRENCH DOOR REFRIGERATOR WITH EXTERNAL DISPENSER

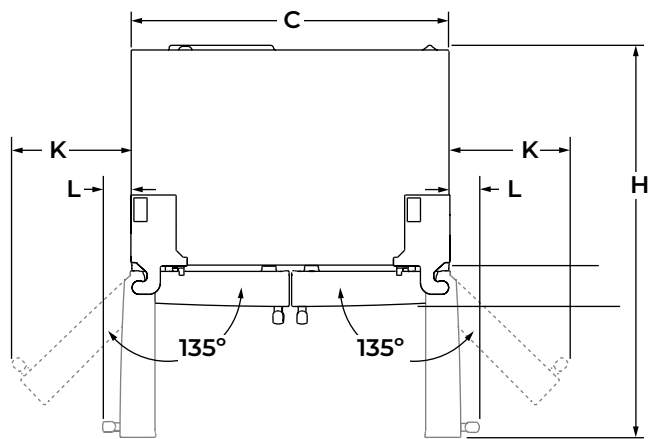
DETAILED PLANNING DIMENSIONS GUIDE

JFFCC72EH – 35³/₄" (W) x 71¹⁵/₁₆" (H) x 32³/₄" (depth with handles)

PRODUCT DIMENSIONS



FRONT VIEW



TOP VIEW

DIMENSION	DESCRIPTION	JFFCC72EH
A	Width of each door	17 ¹¹ / ₁₆ " (45 cm)
B	Space between doors	3/8" (9 mm)
C	Overall width	35 ³ / ₄ " (90.5 cm)
D	Height of door handles (RISE™)	32 ⁵ / ₈ " (82.9 cm)
E	Height to top of door handles (RISE™)	38 ¹¹ / ₁₆ " (98.2 cm)
F	Height of doors	46 ¹ / ₂ " (118.2 cm)
G	Space between doors and drawer	1/2" (1.2 cm)
H	Depth with doors open 90°	44" (111.7 cm)
I	Height of drawer	23" (58.4 cm)
J	Height of grille	1 ¹ / ₂ " (3.9 cm)
K	Width from side of refrigerator to handle – door fully open 135° (RISE™)	14" (35.5 cm)
L	Width from side of refrigerator to handle – door open 90° (RISE™)	4 ⁵ / ₁₆ " (11 cm)

Because Whirlpool Corporation policy includes a continuous commitment to improve our products, we reserve the right to change materials and specifications without notice.

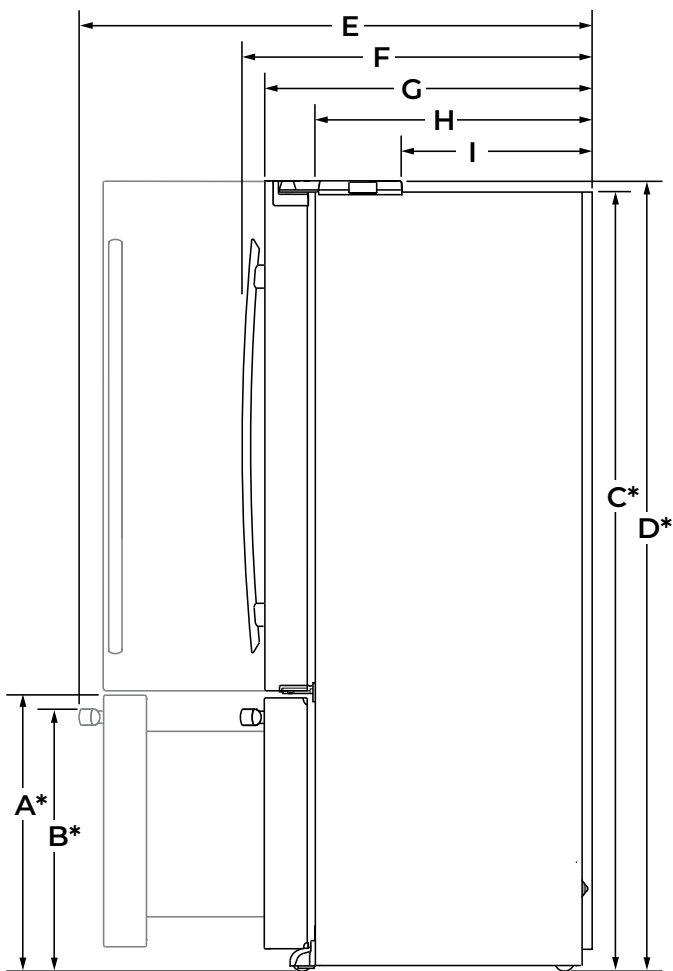
Dimensions are for planning purposes only. For complete details, see Installation Instructions packed with product. Specifications subject to change without notice.



72" COUNTER-DEPTH FRENCH DOOR REFRIGERATOR WITH EXTERNAL DISPENSER

DETAILED PLANNING DIMENSIONS GUIDE

JFFCC72EH – 35³/₄" (W) x 71¹⁵/₁₆" (H) x 32³/₄" (depth with handles)



SIDE VIEW

DIMENSION	DESCRIPTION	JFFCC72EH
A*	Height to top of drawer (min.)	24 ¹⁵ / ₁₆ " (63.3 cm)
B*	Height to top of drawer handle (min.)	23 ³ / ₄ " (60.4 cm)
C*	Height of recessed refrigerator (min.)	70 ¹⁵ / ₁₆ " (180.1 cm)
D*	Height to top of hinges (min.)	71 ¹⁵ / ₁₆ " (182.7 cm)
E	Depth with drawer fully open including drawer handle (min.)	46 ³ / ₄ " (118.8 cm)
F	Depth with handles (min.)	32 ³ / ₄ " (83.1 cm)
G	Depth with doors (min.)	29 ⁵ / ₁₆ " (74.4 cm)
H	Depth without doors (min.)	24 ⁵ / ₈ " (62.6 cm)
I	Depth to back of hinges (min.)	16 ³ / ₄ " (42.6 cm)

*Add 3/4" (1.9 cm) to the height dimension when leveling legs are fully extended.

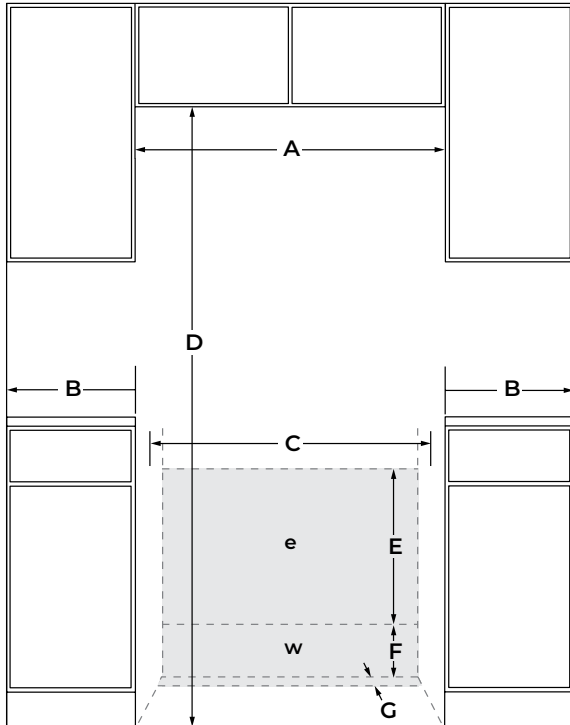


72" COUNTER-DEPTH FRENCH DOOR REFRIGERATOR WITH EXTERNAL DISPENSER

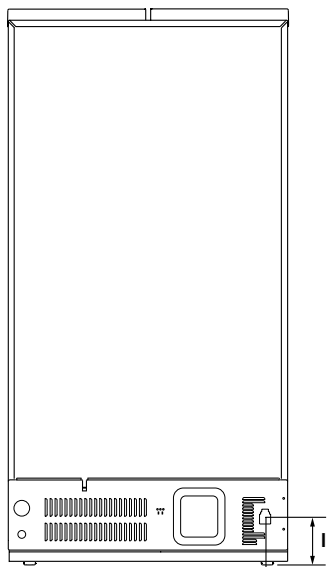
DETAILED PLANNING DIMENSIONS GUIDE

JFFCC72EH – 35¾" (W) x 71¹⁵/₁₆" (H) x 32¾" (depth with handles)

OPENING/CLEARANCE DIMENSIONS



FRONT VIEW



BACK VIEW


DIMENSION	DESCRIPTION	JFFCC72EH
A	Width (min.)	36¾" (93.3 cm)
B	Minimum width from side of refrigerator to fixed wall – door open 90°	3¾" (9.5 cm)
	Minimum width from side of refrigerator to fixed wall – door open approx. 135°	12" (30.5 cm)
C	Width of recommended electrical/water installation area	35½" (90.2 cm)
D	Height (min.)	72 ⁷ / ₁₆ " (184 cm)
E	Height of recommended electrical installation area	Min. 24" (61 cm) Max. 36" (91.4 cm)
F	Height of recommended water installation area	12" (30.5 cm)
G	Depth of recommended water installation area	1" (2.5 cm)
H	Water line location – distance from side	2½" (6.4 cm)
I	Water line location – distance from bottom	7" (17.8 cm)
e	Recommended electrical connection location	
w	Recommended water connection location	

Because Whirlpool Corporation policy includes a continuous commitment to improve our products, we reserve the right to change materials and specifications without notice.

Dimensions are for planning purposes only. For complete details, see Installation Instructions packed with product. Specifications subject to change without notice.

ELECTRICAL REQUIREMENTS

⚠ WARNING



Electrical Shock Hazard

Plug into a grounded 3 prong outlet.

Do not remove ground prong.

Do not use an adapter.

Do not use an extension cord.

Failure to follow these instructions can result in death, fire, or electrical shock.

115 V, 60 Hz, AC only, 15 A or 20 A fused, grounded circuit is required. A dedicated circuit is recommended. Use an outlet that cannot be turned off by a switch. Minimum length of power cord is 60" (152.0 cm). Do not use an extension cord.

WATER PRESSURE REQUIREMENTS

A cold water supply with water pressure between 30 psi and 120 psi (207 kPa and 827 kPa) is required to operate the ice maker. Call a licensed, qualified plumber with any questions about the water pressure.

Reverse Osmosis Water Supply

IMPORTANT: The pressure of the water coming out of a reverse osmosis system going to the water inlet valve of the refrigerator needs to be between 30 psi and 120 psi (207 kPa and 827 kPa).

If a reverse osmosis water filtration system is connected to the cold water supply, the water pressure to the reverse osmosis system needs to be a minimum of 40 psi to 60 psi (276 kPa to 414 kPa).

LOCATION REQUIREMENTS

⚠ WARNING



Explosion Hazard

Keep flammable materials and vapors, such as gasoline, away from refrigerator.

Failure to do so can result in death, explosion, or fire.

To ensure proper ventilation for your refrigerator, allow for a minimum 3/16" (0.48 cm) of space on each side and 1/4" (0.64 cm) at the top. Allow for a minimum 1" (2.54 cm) space behind the refrigerator