
DISHDRAWER™ DISHWASHER INSTALLATION GUIDE

Components required	3
Accessing your product specifications	4
Prior to installation	6
Unpack all products	10
Hard wiring	12
Prepare Dishwasher	16
Install dishwasher	22
Prepare custom panel	23
Complete dishwasher installation	29
Check panel face alignment	36
Install services	38
Installer checklist	41

FISHER & PAYKEL

US CA

592794C 11.25

INTEGRATED DISHDRAWER™ DISHWASHER

DD24SHT19 N, DD24ST19 N, DD24SI9 N

COMPONENTS REQUIRED

TOOLS

Not supplied

- Box cutter
- Crosshead screwdriver
- Flat blade screw driver
- Drill
- 1x 13mm Drill bit
- 1x 2.5mm Drill bit
- Level
- Pliers
- Pencil

PARTS

Supplied and required

- | | |
|---|--|
| <input type="checkbox"/> 4x Side brackets | <input type="checkbox"/> 1x Drain hose support |
| <input type="checkbox"/> 1x Sealing tape | <input type="checkbox"/> 1x Drain hose joiner |
| <input type="checkbox"/> 1x Door bracket kit | <input type="checkbox"/> 1x Wire clip |
| <input type="checkbox"/> 16x 16mm Crosshead screws | <input type="checkbox"/> 1x Clamp |
| <input type="checkbox"/> 2x 38mm Chassis feet fixing screws and washers | <input type="checkbox"/> 1x External venting kit |

Supplied

- 4x Spacer sets
- 2x 0.5mm Shims
- 4x 0.75mm Shims
- 1x Trim bracket



To access installation videos, scan the QR code or go to: <https://www.fisherpaykel.com/nz/dishdrawer-installation-videos>

The videos provide an overview of the DishDrawer™ installation and are not intended to be used as a standalone guide.

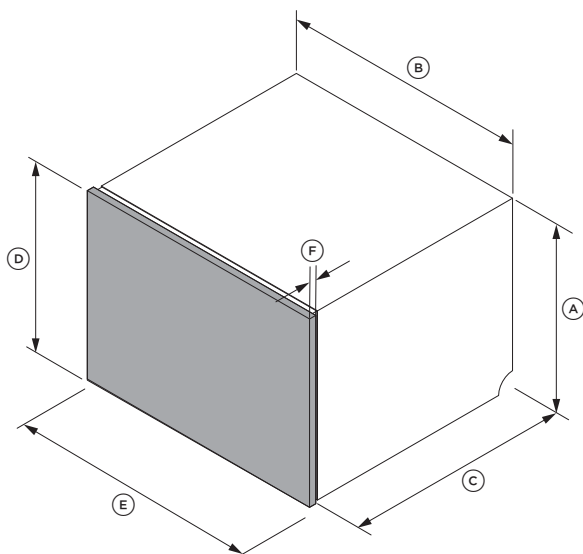
Installation should be undertaken by a Fisher & Paykel trained and supported service technician or qualified person.

ACCESSING YOUR PRODUCT SPECIFICATIONS



For full product, cabinetry and service specifications, refer to the Planning Guide. To access the Planning Guide, scan the QR code or visit fisherpaykel.com/specify. Search by appliance type, product name or model code.

For installation support please contact the Fisher & Paykel design support team at designsupport@fisherpaykel.com



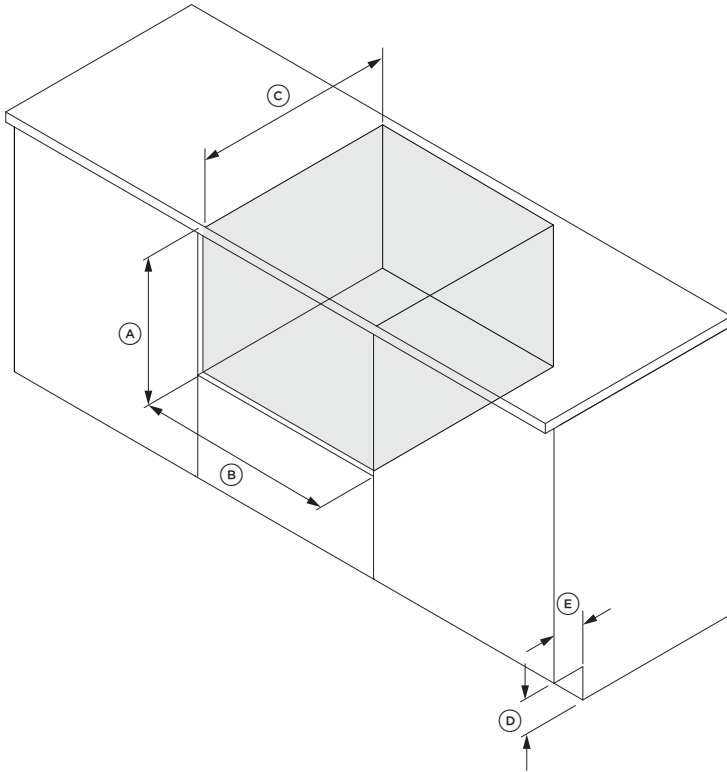
Dimensions	DD24SHTI9, DD24STI9		DD24SI9	
	in	mm	in	mm
(A) Chassis height	17 29/32	455	16 1/8	410
(B) Chassis width	23 9/16	599	23 9/16	599
(C) Chassis depth*	21 3/4	553	21 3/4	553
(D) Panel minimum height	17 13/16	452	16 1/16	408
(E) Panel minimum width	23 7/16	596	23 7/16	596
(F) Panel thickness**	5/8-13/16	16-20	5/8-13/16	16-20
Maximum bottom panel extension	2	50	2	50

*Excludes panel. **Guide assumes 3/4" panels. Note: A 1/16" clearance gap is required between the dishwasher drawer panel and surrounding cabinet panels.

ACCESSING YOUR PRODUCT SPECIFICATIONS

Ensure there is a small gap between the custom panel and any cabinetry behind it to maintain a proper seal in the dishwasher.

This prevents moisture escape and condensation which can damage the custom panel.



Dimensions	DD24SHTI9, DD24STI9		DD24SI9	
	in	mm	in	mm
Ⓐ Cavity minimum height	17 15/16	456	16 7/32	412
Ⓑ Cavity minimum width	23 5/8	600	23 5/8	600
Ⓒ Cavity minimum depth*	22 13/16	579	22 13/16	579
Ⓓ Minimum cabinet toe kick height**	3 15/16	100	3 15/16	100
Ⓔ Minimum cabinet toe kick depth**	2 3/8	60	2 3/8	60

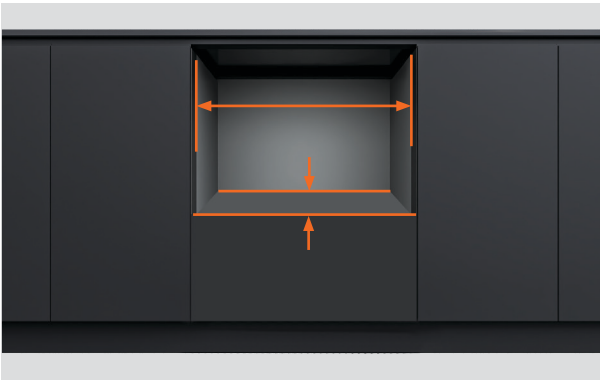
*Guide assumes 3/4" door panels **When venting through toe kick

PRIOR TO INSTALLATION



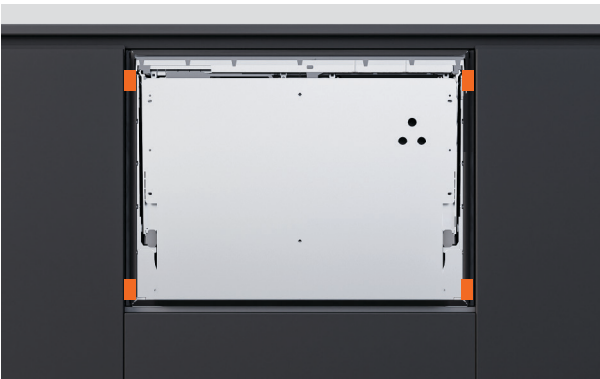
fisherpaykel.com/specify

1. Refer to the Planning Guide for cabinetry, cavity, panel and service specifications.



2. Ensure the cabinet meets the minimum cavity specifications required.

Check that the cabinet sides are square.



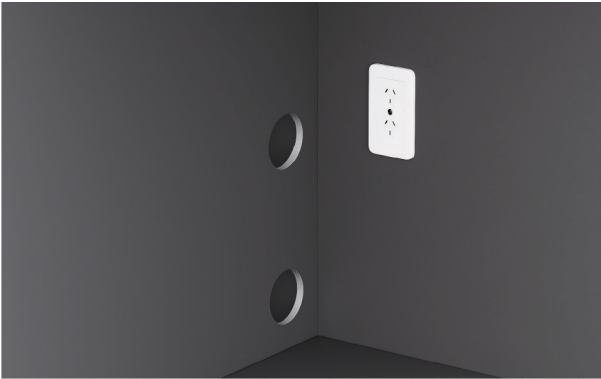
3. If the cavity is too wide, add material to the sides to allow the dishwasher to be secured.

See the planning guide for details.

PRIOR TO INSTALLATION



4. Check that the cabinet is level.



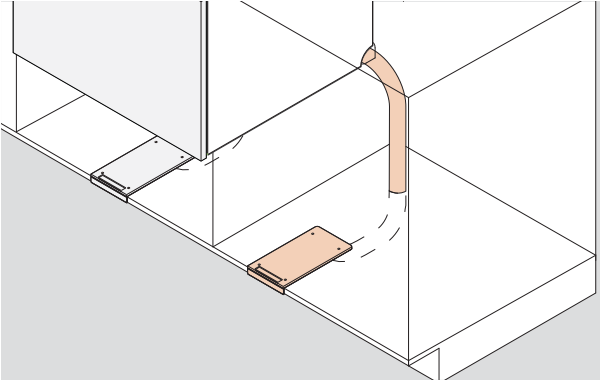
5. The power plug should be accessible after installation for maintenance.



6. Service holes can be routed from the dishwasher into the adjacent cavity.

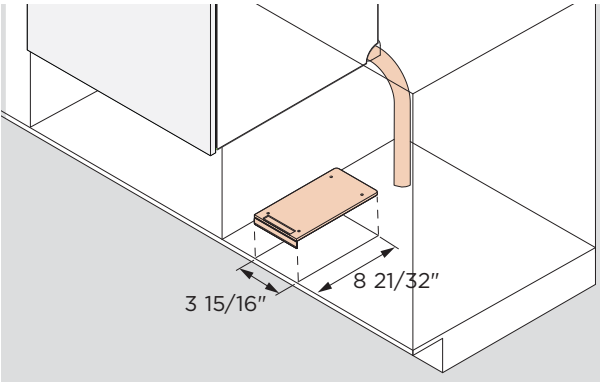
PRIOR TO INSTALLATION - SERVICES

If routed through the cabinet toe kick, vent ducts require a minimum toe kick height of $3 \frac{15}{16}$ " and depth of $2 \frac{3}{8}$ ".

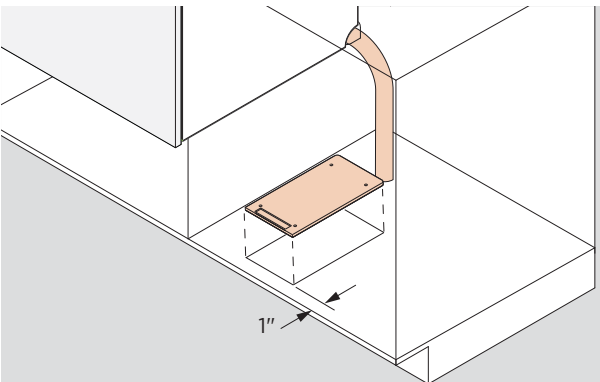


1. The vent hose can be routed through to the adjacent cabinet and into the toe kick.

Alternatively, it can be routed under the dishwasher into the toe kick.



2. The vent duct cut out is $3 \frac{15}{16}$ " x $8 \frac{21}{32}$ ".

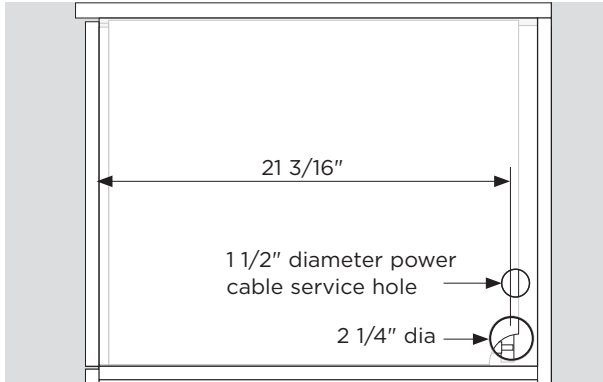


3. Framed cabinetry:

The cut out should be placed 1" back from the frame.

PRIOR TO INSTALLATION - SERVICES

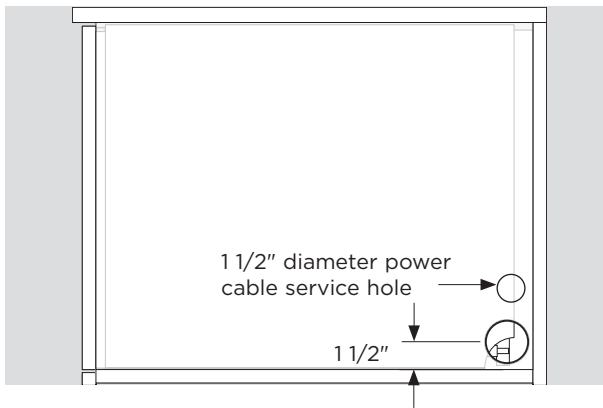
Refer to the Planning Guide at fisherpaykel.com for service options.



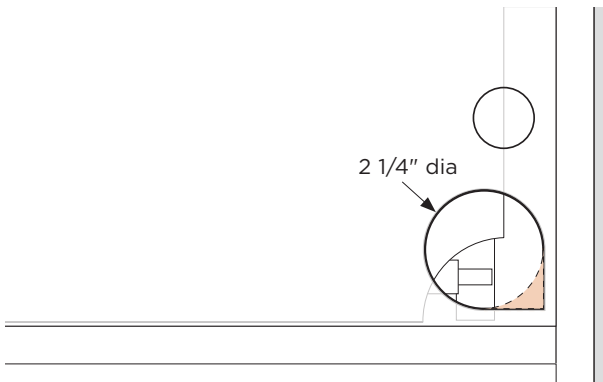
1. A minimum $2 \frac{1}{4}$ " diameter service hole is required in the cabinet side.

A separate $1 \frac{1}{2}$ " power cable hole is also required.

The centre of the hole should be a minimum of $21 \frac{3}{16}$ " from the front of the chassis.

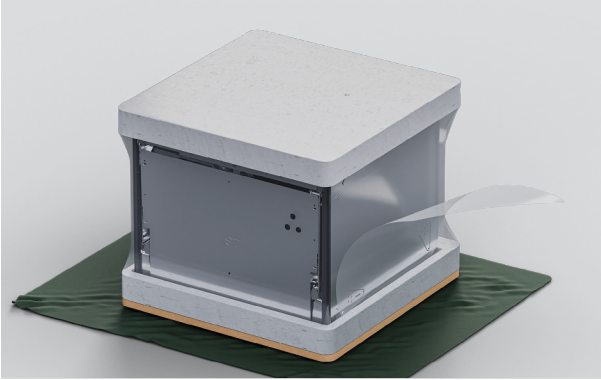


2. The centre of the hole should be a maximum of $1 \frac{1}{2}$ " above the shelf.

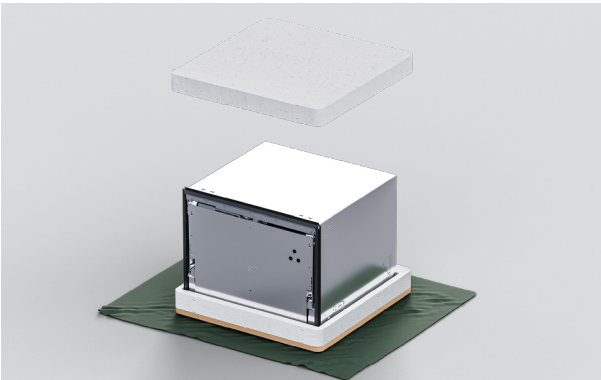


3. If the vent hose is routed through the service hole, cut out the back corner.

UNPACK ALL PRODUCTS



1. Remove the plastic wrap.



2. Remove the top packaging.
Leave the base on to protect the floor surface while moving the dishwasher.



3. Do not remove door bracket from the front of the dishwasher.

UNPACK ALL PRODUCTS



4. Peel the tape from the top drawer and remove accessories and installation packages from the tub.

Close the drawer and re-apply the tape.



5. Dispose of packaging responsibly.

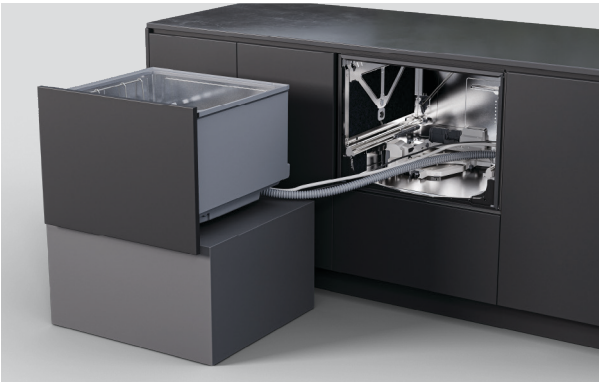
HARD WIRING (OPTIONAL)

A qualified electrician is required to hard wire the dishwasher.

Remove the supplied power cord and complete the hard-wiring close to the cavity.

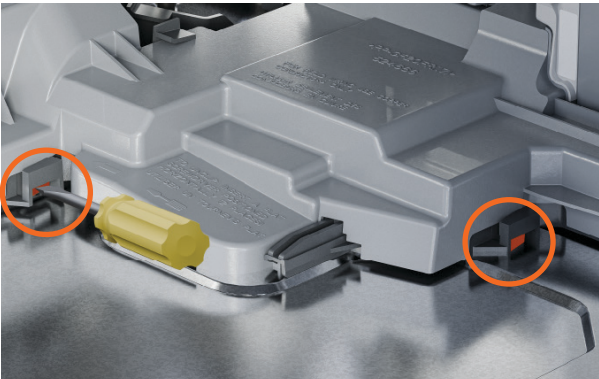


1. Pull the bottom drawer halfway out to remove the tub. On each side of the lower drawer, push locking tabs back.



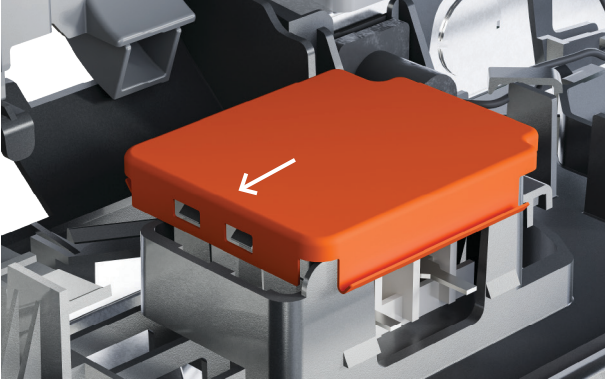
2. Place the drawer on a protected surface to the left of the appliance.

Do not stretch or disconnect the hoses and cords.

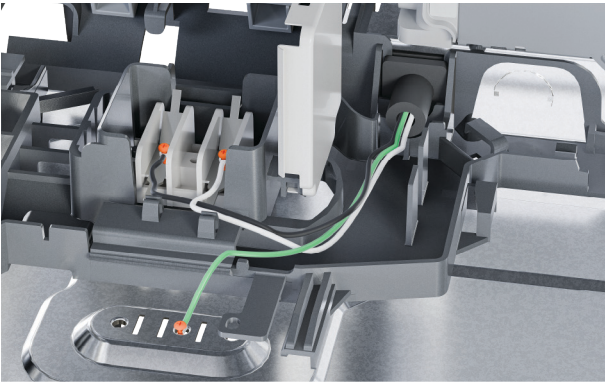


3. With a flat-bladed screwdriver, push in the clips and slide out the access cover.

HARD WIRING (OPTIONAL)



4. Slide the terminal block cover sideways to unlock and hinge open to access the terminal block.

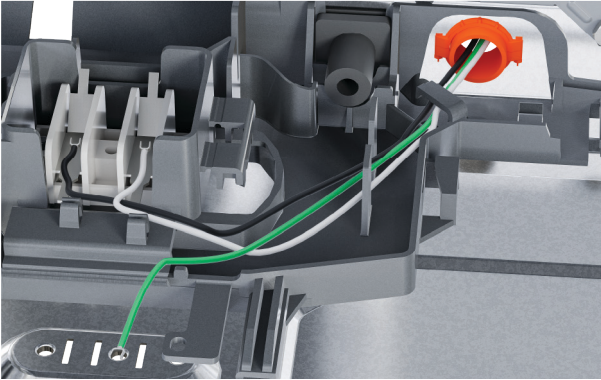


6. Unscrew the Live (black), Neutral (white) and Earth (green) wires from the terminal block and the chassis.



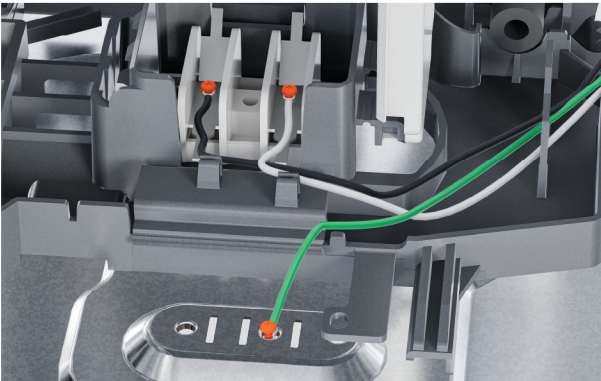
5. Safely cut the cord from the inside **and** outside of the strain relief molding to remove the cord.

HARD WIRING (OPTIONAL)

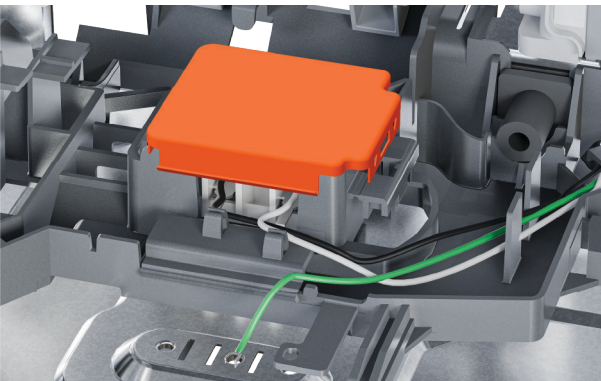


7. Fit a suitable cable clamp for the conduit through the metal knock-out.

Ensure only copper conductors are used.

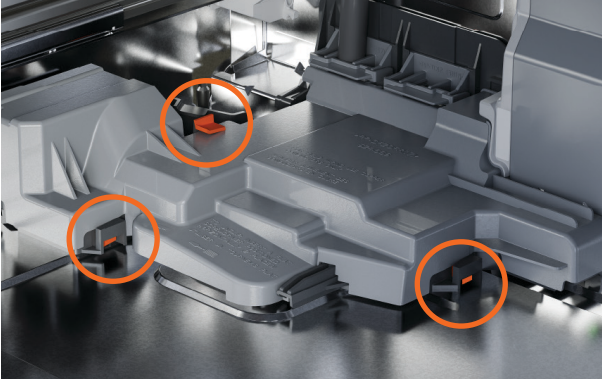


8. Fasten the Live (black) and Neutral (white) wires to the terminal block. Fasten the Earth (green) wire to the chassis.



9. Hinge the terminal block cover down and lock.

HARD WIRING (OPTIONAL)



10. Slide the access cover back into place.

Ensure the locking clips are aligned.



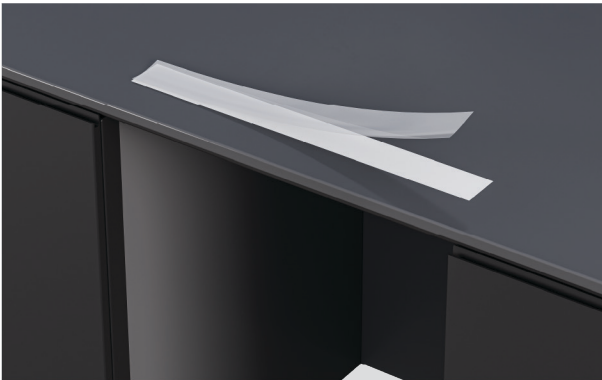
11. To replace the tub, pull the drawer runners halfway out. Place the tub onto the runners. Pull locking tabs forward and click the drawer into place.

Ensure hoses are not crushed or twisted when closing the drawer.

APPLY SEALING TAPE



1. Ensure underside of countertop is clean and free of dust.



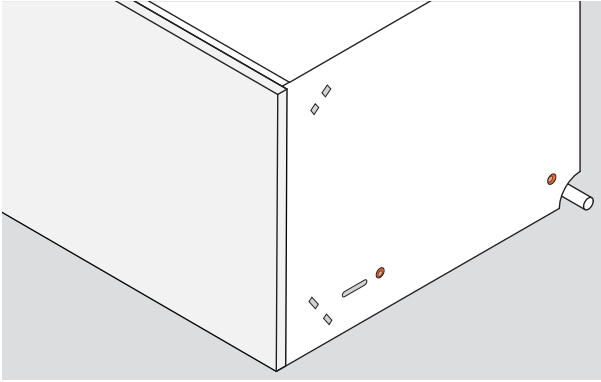
2. Remove backing from tape



3. Apply tape to top edge of cabinet ensuring it is centred and set back $\frac{3}{8}$ " from the front edge.

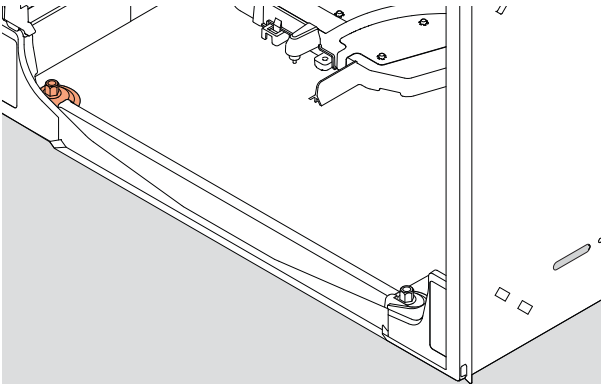
DISHWASHER SECURING OPTIONS

The dishwasher must be secured to stay in place and prevent vibration. Three fixing points on each side of the chassis is recommended.



1. Securing through chassis sides:

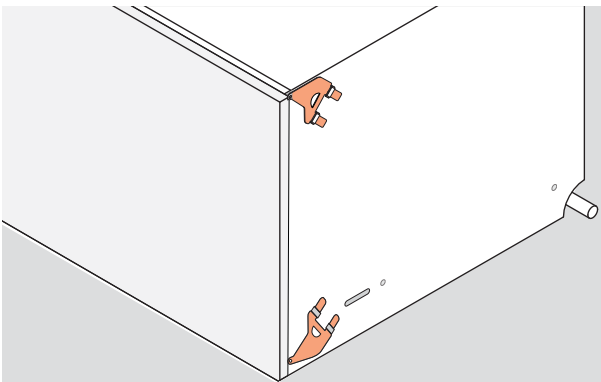
Screws must be fixed through the chassis sides and into the cabinet sides or packers.



2. Securing through chassis bottom:

Screws can be fixed through the bottom left hand of the chassis and into the shelf from the inside of the dishwasher.

38mm Fixing screws and washers are supplied.



3. Securing through side brackets:

Side brackets can be inserted into the chassis sides and fixed to the cabinet sides.

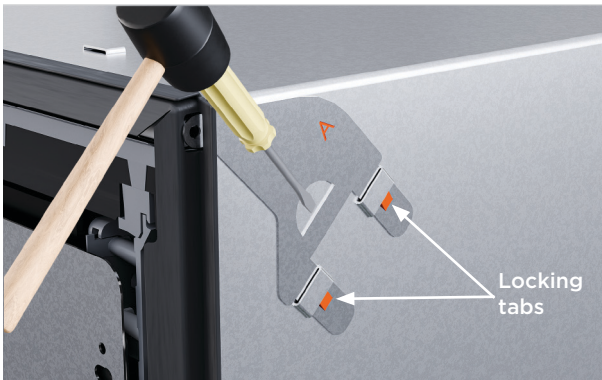
All brackets can be used if needed.

ATTACH BRACKETS

The brackets must lie flat on the chassis with the locking tabs facing out. The locking tabs must be properly inserted through the slots to secure the brackets.



1. Locate the side bracket sets.



2. If using the upper bracket set, insert into the slots and tap gently with a soft mallet to secure.

Push the screw tab through the gap in the rubber seal.



3. If using the lower bracket set, insert into lower slots and tap gently with a soft mallet to secure.

Push the screw tab through the gap in the rubber seal.

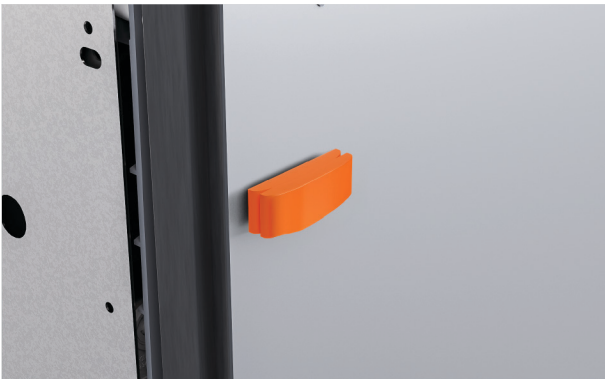
ATTACH SPACERS



1. Snap off the four spacers with an adhesive strip.



2. Place spacers on each side of the dishwasher between the brackets.



3. If required a larger spacer segment can be snapped on to adjust the thickness.

ATTACH TOP TRIM

Installing the trim bracket is recommended when fitting your dishwasher into a 18 7/8" high cavity to conceal any visible gap between the countertop and the chassis.



1. Align the trim to the chassis ensuring the arrow is pointing forward.



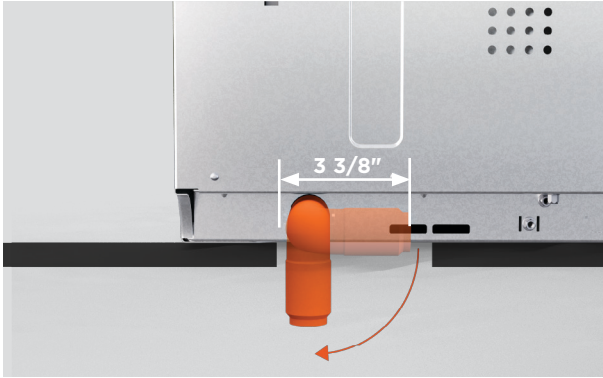
2. Firmly push the trim into the slots to secure it over the rubber seal.



3. Ensure the front of the rubber seal is free of the bracket.

ATTACH VENT HOSE

Refer to the planning guide at fisherpaykel.com for venting options.

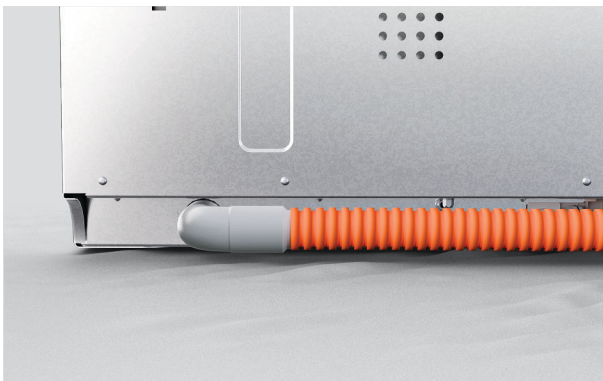


The vent can be routed under the dishwasher.

Ensure the cut out size allows the vent elbow to be rotated when the dishwasher is in the cavity.



1. Rotate the elbow to the left or right depending on your venting location.



2. If the vent is routed left or right, push the vent hose onto the elbow firmly to secure.

PUSH INSIDE CAVITY

The minimum gap between the drawer panel and countertop or frame is 1/16".



1. Place hoses and cords through the service holes and into the adjacent cavity.



2. Carefully push the dishwasher into the cavity, feeding the hoses through the service holes as you go. Avoid crushing or twisting the hoses.

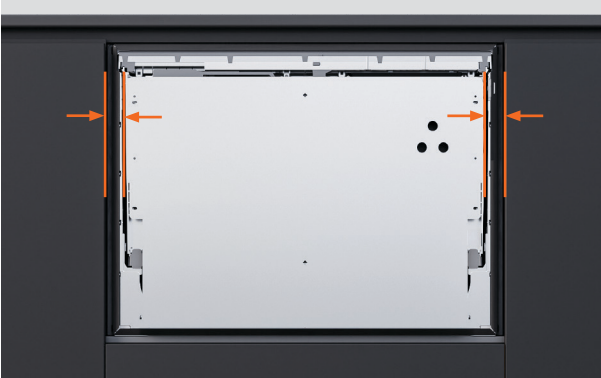


3. Place the panel onto the door bracket and adjust the dishwasher within the cavity until the front of the panel aligns with the cabinet doors.

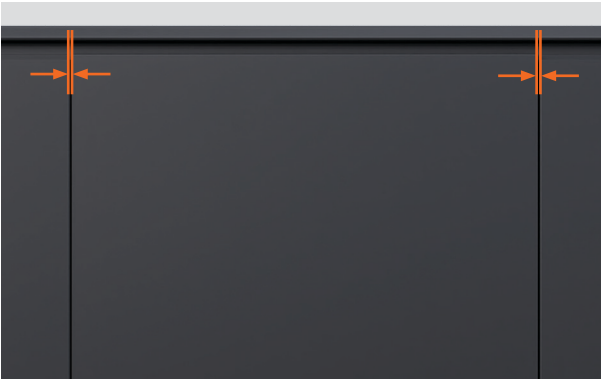
MEASURE CUSTOM PANEL

If panels widths or heights are extended over the minimum dimensions, ensure there is a small gap between the custom panel and any cabinetry behind it.

The drawer must seal fully to prevent moisture escape and condensation, which may damage the custom panel.

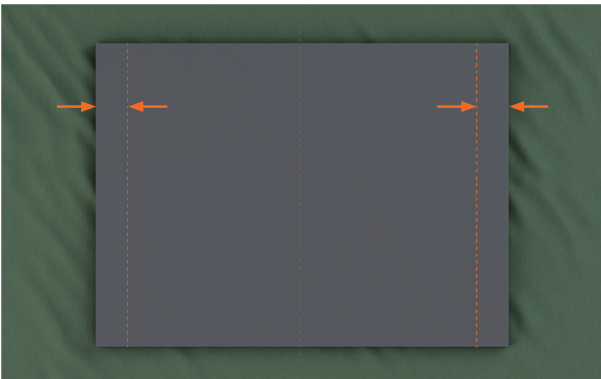


1. Measure the distance from the adjacent cupboard doors to the edges of the door bracket.



2. Subtract the required gap between the cabinet panels from each measurement.

The minimum required gap to adjacent cabinet doors or drawers is **1/16"**.

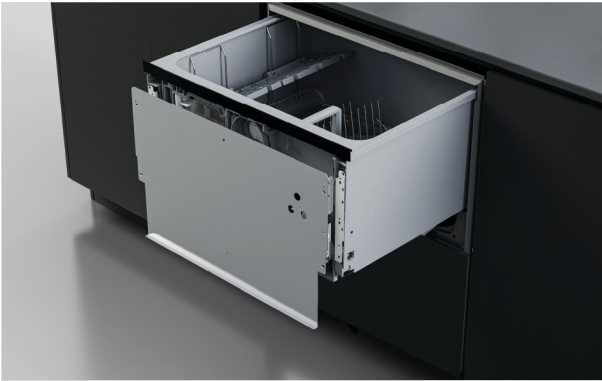


3. Use the final measurements to mark vertical lines on the back of the custom panel.

ATTACH PANEL TO DOOR BRACKET

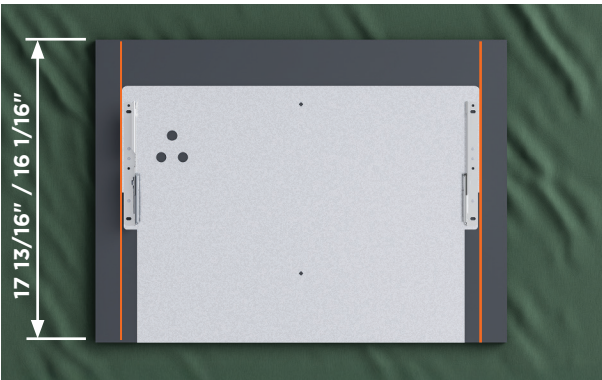


1. Open the drawer and use pliers to pull the door pin out.



2. Detach the door bracket by pulling down firmly and then angling out.

Disconnect the earth wire from the bracket before removing.



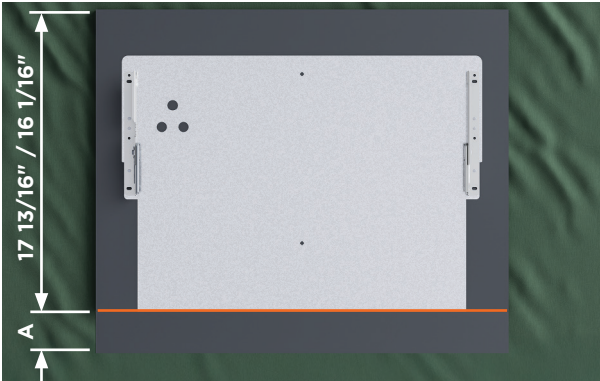
3. Position the door bracket on the custom panel between the marked lines.

Align the bottom of the bracket with the lower edge of the panel.

DD24STI Panel height: 17 13/16"

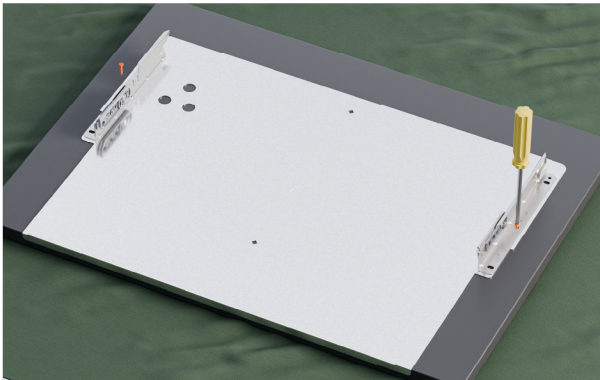
DD24SI Panel height: 16 1/16"

ATTACH PANEL TO DOOR BRACKET



4. For panels extended at the bottom:

The bracket must be raised above the lower edge of the panel using the extension height (A).



5. Fix one screw in each side through the bracket fixing points.

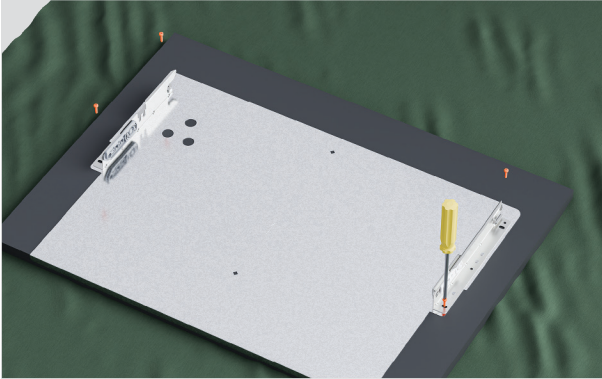
Pilot holes may be required depending on the panel material.



6. Slot panel onto dishwasher.

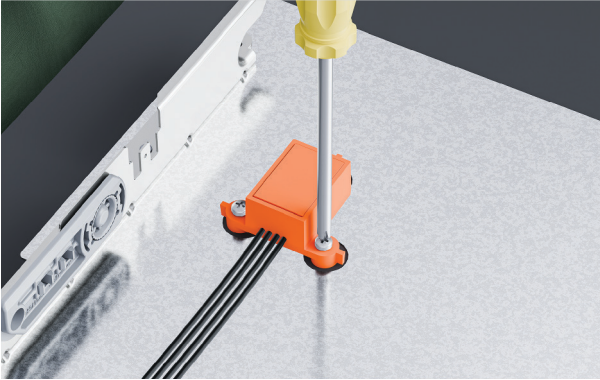
Check gaps between the panel and adjacent cabinet doors are a minimum of $1/16$ ".

ATTACH PANEL TO DOOR BRACKET



7. Remove the door panel and fix the remaining four screws.

INSTALL KNOCK-TO-PAUSE MODULE



1. Secure knock-to-pause module to the panel using the supplied screws.



2. Check that the module is oriented correctly and fixed securely to ensure proper function.



3. Move the panel to the dishwasher.
Plug the knock-to-pause module into the controller.

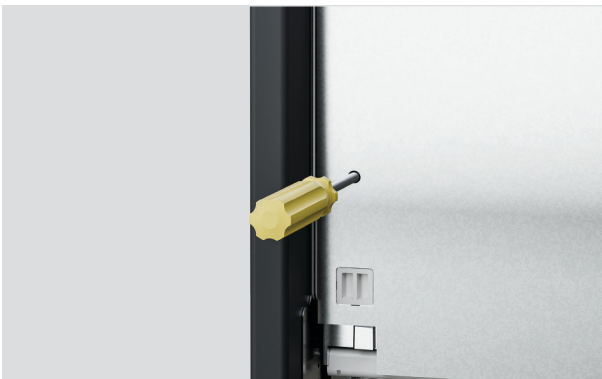
SECURE PANEL



1. ⚠ Attach the earth wire to the door bracket to ensure safe use.



2. Place the panel back onto the dishwasher. Insert the side pins.



3. For fine vertical adjustments:
Insert a crosshead screwdriver into the hole above side pins and turn.
The adjustment range is $\pm 1/16''$.

SECURE THROUGH CHASSIS SLOT

Slots in the chassis sides allow screws to be temporarily fixed and the dishwasher to be adjusted within the cavity. Panel alignment can then be checked before final fixing.

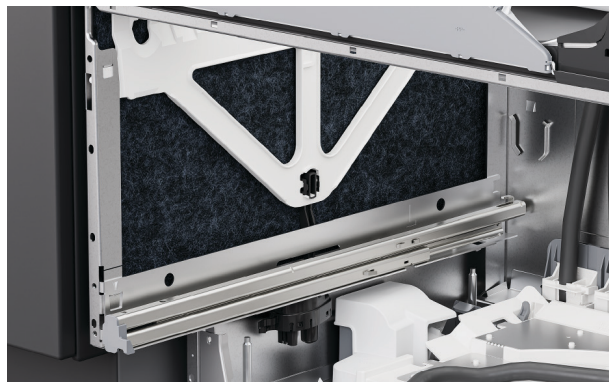


1. Pull the drawer halfway out to remove the tub.

On each side of the tub, push locking tabs back.



2. Place the drawer on a protected surface to the left of the appliance.

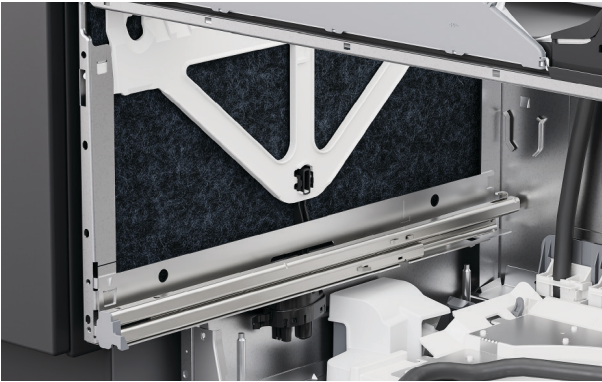


3. On the chassis sides, lift the insulation.

SECURE THROUGH CHASSIS SLOT



1. Fit a screw in each chassis slot to secure to the cabinet. Partially tighten screws ensuring adjustments can be made.



2. Refit insulation ensuring it is positioned correctly and will not obstruct the drawer runners.



3. To replace the tub, pull the drawer runners halfway out. Place the tub onto the runners.

SECURE THROUGH CHASSIS SLOT



4. Pull locking tabs forward and click the drawer into place.

Ensure hoses are not crushed or twisted when closing the drawer.



5. Check that the panel is aligned with the surrounding cabinetry.

Adjust the dishwasher in the cavity if required.

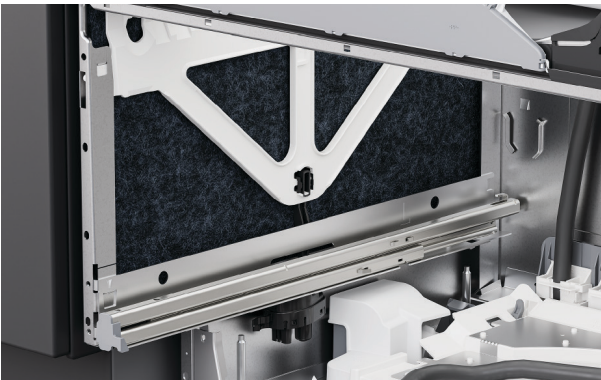
SECURE THROUGH CHASSIS



1. Pull the drawer halfway out to remove the tub.
On each side of the tub, push locking tabs back.

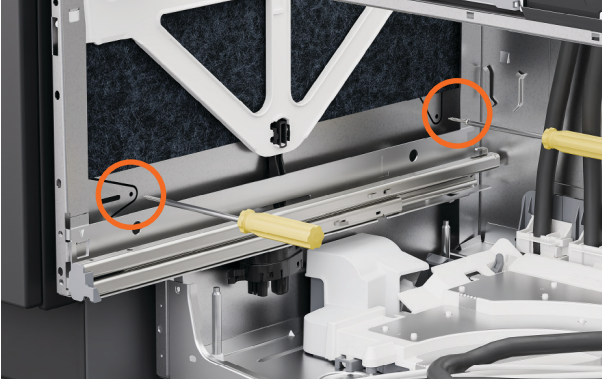


2. Place the drawer on a protected surface to the left of the appliance.

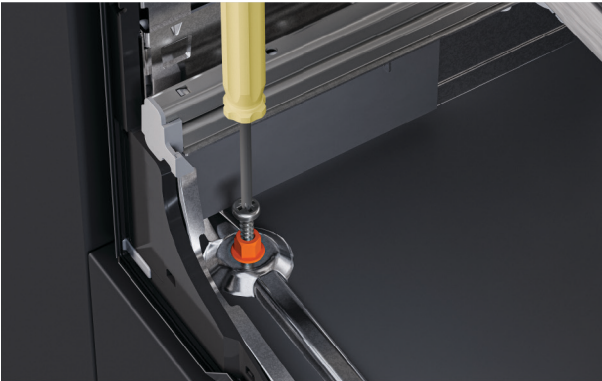


3. On the chassis sides, lift the insulation.

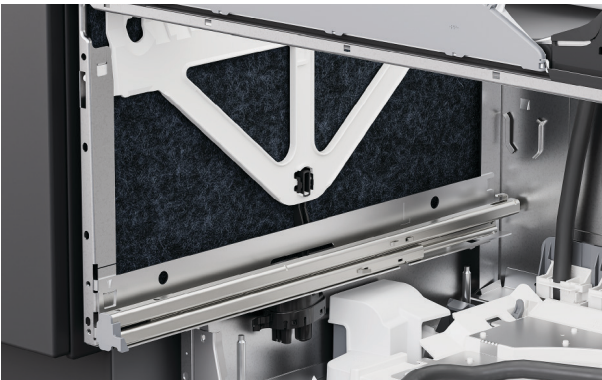
SECURE THROUGH CHASSIS



4. Insert screws through the two holes on each side of the chassis.



5. Insert the supplied 38mm screw and washer through the left hand hole on the bottom of the chassis.



6. Ensure insulation is repositioned correctly and will not obstruct the drawer runners.

SECURE THROUGH CHASSIS



7. Place the tub back onto the runners, pull locking tabs forward and click drawer into place.

SECURE USING BRACKETS



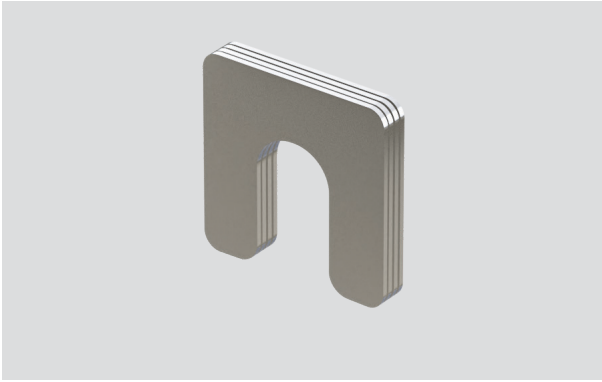
1. If using brackets, partially open the top drawer.
Lift the rubber seal and remove the left and right screw covers from the trim.



2. Fix side brackets using the supplied screws and replace the screw covers.

CHECK PANEL TILT

If the custom panel is slightly angled out compared to the adjacent cabinetry, the supplied shims can be used to make minor adjustments.



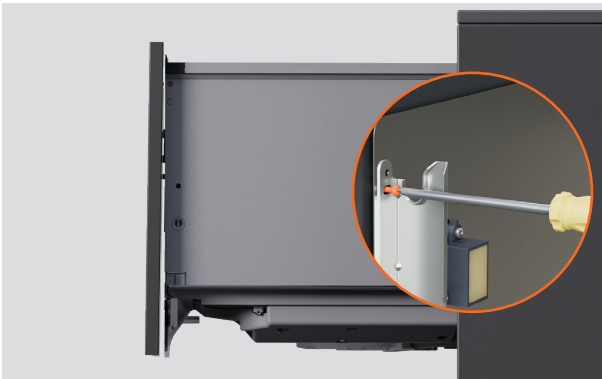
Shim options:

2 x 0.5mm, 4 x 0.75mm.

Do not use shims for any adjustments over 1.75mm.



1. Remove the panel and door bracket if adjustment is needed.



2. For panels tilted outward at the bottom of the dishwasher:

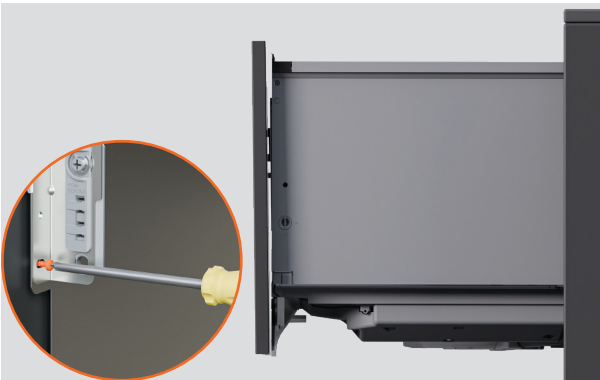
Loosen the screws at the top of the bracket on each side.

CHECK PANEL TILT



3. Insert the shim between the panel and the door bracket and tighten the screw.

Slot the panel onto the dishwasher and check.



4. For panels tilted outward at the top of the dishwasher:

Loosen the screws at the bottom of the bracket on each side.

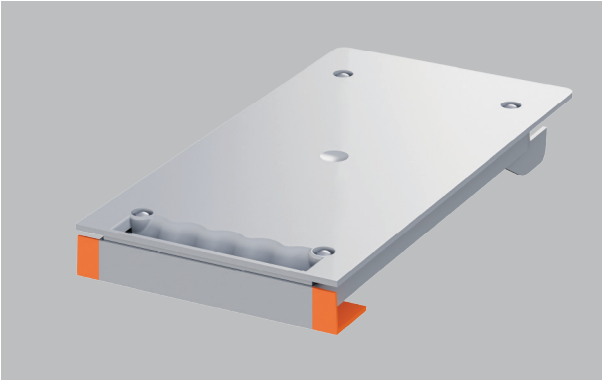


5. Insert the shim between the panel and the door bracket and tighten the screw.

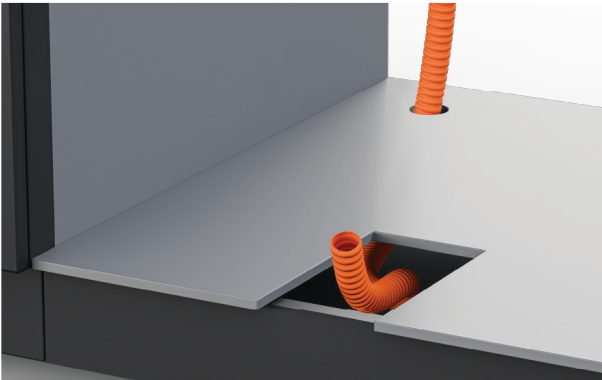
Slot the panel onto the dishwasher and check the drawer panel alignment.

INSTALL VENT

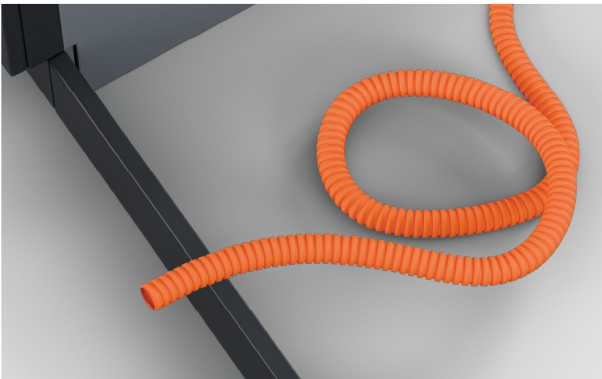
The vent hose should not exceed a maximum length of 63". Do not shorten the hose.



If the cabinet is framed or cannot be installed on the shelf edge, cut off the edging on the vent duct.

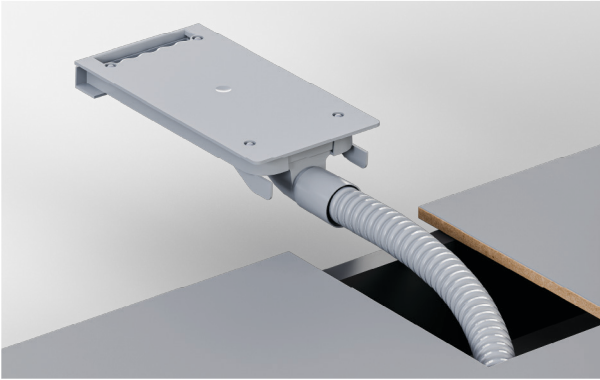


1. Feed the venting hose into the toe kick space in the adjacent cabinet or under the dishwasher as required.

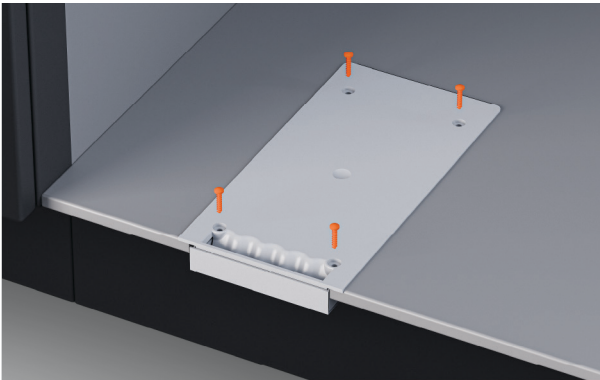


2. The vent hose can be coiled in the toe kick space. Ensure that there are no sharp bends or kinks.

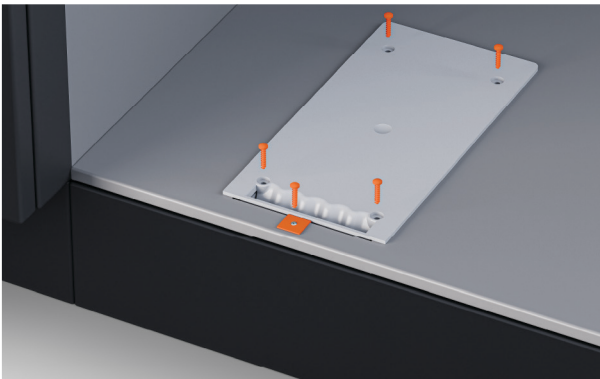
INSTALL VENT



3. Pull the end of the venting hose through the cut-out and firmly attach it to the vent duct.



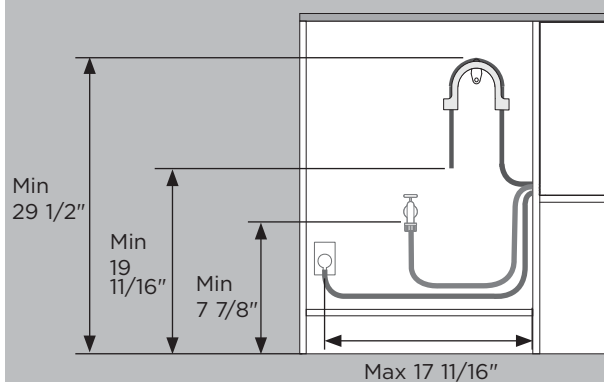
4. Secure the vent using the provided screws.



5. For framed cabinetry, install the bracket and screw included in the venting kit.

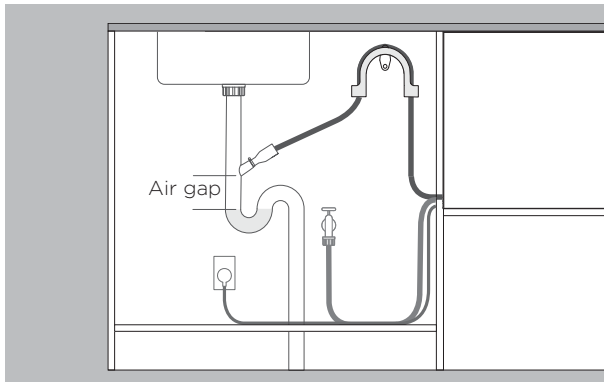
DRAIN CONNECTION OPTIONS

DD60SHI9, DD60SHTI9 Water pressure: maximum 1 MPa (145 psi), min. 0.1 MPa (14.5 psi).
 DD60SI9, DD60STI9 Water pressure: maximum 1 MPa (145 psi), min. 0.03 MPa (4.3 psi)
 Water connection: 3/4" BSP (GB20) to suit flat washer
 Recommended temperature: Hot - maximum 140°F (60°C)



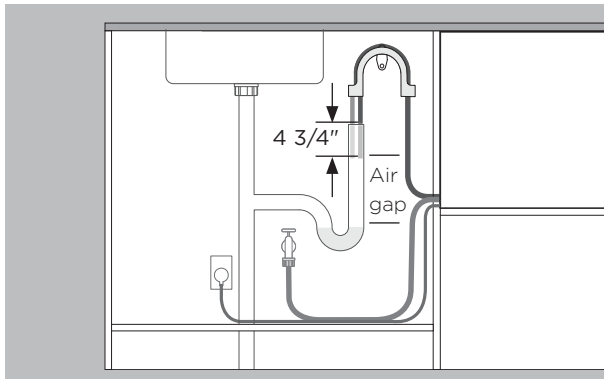
Distances are the same for all installs.

- Floor to support top - min 29 1/2".
- Floor to drain hose end - min 19 11/16".
- Floor to water inlet - min 7 7/8".
- Cabinet side to centre of electrical outlet - 17 11/16".



Drainage routed to spigot

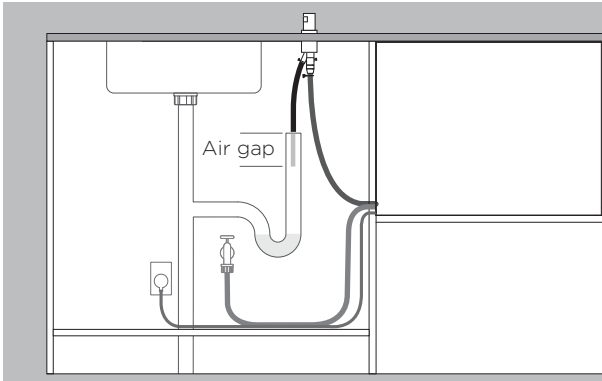
- Spigot must be higher than standing water with an air gap between to avoid drainage issues.
- Remove excess drain hose to prevent hose drooping below the spigot height.



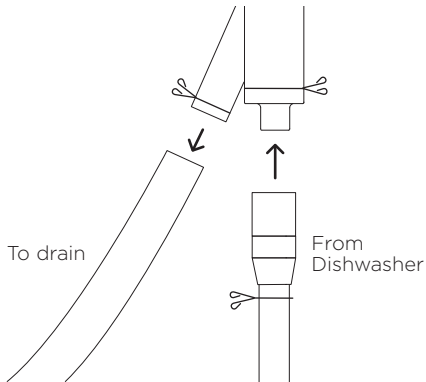
Drainage routed to standpipe

- Drain hose must be higher than standing water with an air gap between to avoid drainage issues.
- Remove excess drain hose.
- Hoses must not extend into standpipe more than 4 3/4".

DRAIN CONNECTION OPTIONS - SINGLE AIR GAP



1. Install the Single Air Gap Kit into the counter top.



2. Thread wire clips on to the hoses before fitting both hoses to the supplied hose joiner. Secure using the wire clips. Ensure hoses are routed straight to the joiner, removing excess drain hose if necessary.

INSTALL DRAIN

Ensure the drain hose support is properly installed and the hose is correctly threaded through to prevent damage and drainage issues.

The dishwasher must not be drained into standing water.

If the drain hose supplied is not long enough to reach your services, a 63" drain hose extension kit is available at fisherpaykel.com



1. Install the drain hose support as close to the countertop as possible, with a minimum distance of 29 1/2" from the floor

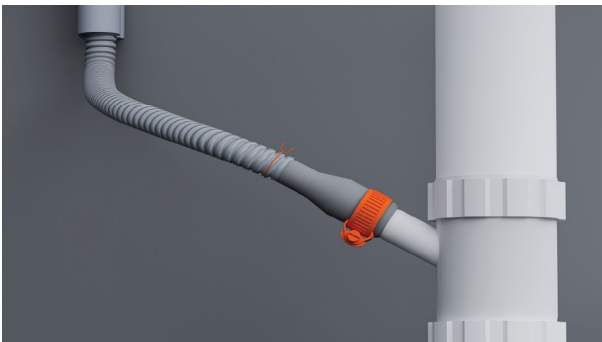
Thread the hose through the support.



2. For connection to waste tee:

To avoid shavings entering the plumbing system, remove the waste tee before drilling.

Unplug or drill out the waste tee minimum 1/2" in diameter before securing joiner.



3. Thread wire clips on to the hoses.

Fit the hose to the supplied hose joiner and secure using the wire clips provided.

Ensure hose is routed straight to the joiner to avoid kinks that restrict drainage.

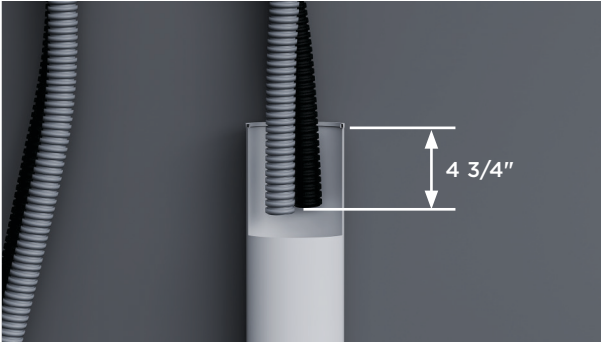
Trim drain hose if needed.

INSTALL DRAIN



4. For connection to standpipe:

Pull both drain hoses through the support guide and rest in standpipe.



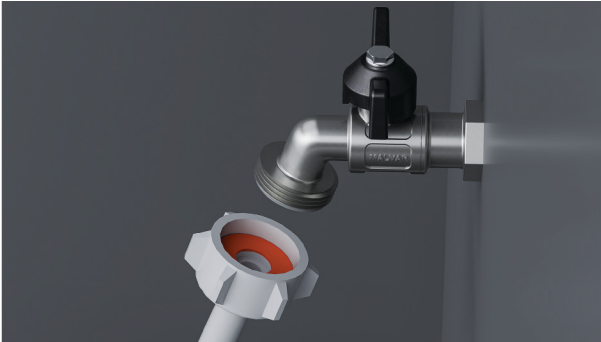
5. Ensure the hoses do not extend more than $4 \frac{3}{4}$ " into the standpipe to prevent wastewater siphoning back into the tub.

Hoses can be trimmed if necessary.

CONNECT WATER INLET

Do not turn water supply on before power has been connected. The dishwasher must be powered on for flood protection to be enabled.

Isolation taps are required to allow the water supply to be shut off.



1. Check that the supplied rubber washer is inserted into the coupling.



2. Connect the inlet hose to the tap.

Ensure the inlet hose is not kinked and the tap is not pulled or under pressure.

Do not shorten the inlet hose.



3. Hand-tighten into place. Using a spanner or pliers, turn a further 180° to secure. Avoid over-tightening.

CONNECT POWER

Electrical requirements: 120V, 60Hz minimum 5.0 A

The power plug should be accessible after installation for maintenance.



1. Connect power.



2. Check the water connections.

Turn on the water supply and check for leaks.

The dishwasher must be powered on for flood protection to be enabled.

If power is to be disconnected, ensure water supply is turned off.

INSTALLER CHECKLIST

Installation

- If power is disconnected, ensure water supply is turned off to prevent flooding.
- Check all parts are installed correctly and are secure.
- Ensure all clearance gaps have been maintained.
- Ensure dishwasher is secure and drawer opens and closes freely with no resistance.
- Ensure panel is fitted correctly to the dishwasher
- Ensure any packaging or tape securing the racks and spray arm is removed.
- Check the spray arm is in place, mounted correctly and rotate freely.
- Ensure knock-to-pause module is fitted securely and operating correctly.

Plumbing

- Ensure any knock-outs or plugs in drain connection have been drilled out and drain connection has been made.
- The drain hose joiner must not support the weight of excess hose material. Keep drain hose as fully extended as possible to prevent sagging. Any excess length of drain hose should be kept on the dishwasher side of the high loop.
- Ensure inlet hose has supplied rubber washer fitted, and that it's tightened.
- If connecting the drain hose to the sink trap, ensure the high loop is a minimum 150mm higher than the drain hose joiner.
- Water softener models: adjust the water softener setting from the default setting to suit the water hardness of the area. Refer to your user guide.
- Ensure water supply is turned off until power is connected and turned on. The Dishwasher must be powered on for the flood protection feature to be enabled.

Electrical

- Ensure all electrical tests have been conducted in accordance with local regulations.

Test operation

- Turn on the power and water supplies, then open the drawer. You should hear a beep and see a program indicator light up on the control panel.
- Add three cups of water into the drawer.
- Navigate to RINSE and start the program.
- Check the knock-to-pause function
- Repeat for the other drawer.
- After the Rinse cycle has finished, ensure the dishwasher has run and drained correctly.
- Check the water supply has been shut off correctly.
- Check drainage connections for leaks.
- If site is left without power after installation is complete, ensure water supply is turned off to prevent flooding.**

INSTALLER CHECKLIST

Complete and keep for safe reference:

Model _____

Serial no. _____

Purchase date _____

Purchaser _____

Dealer address _____

Installer's name _____

Installer's signature _____

Installation company _____

Installation date _____

FISHERPAYKEL.COM

© Fisher & Paykel Appliances 2025. All rights reserved.

The models shown in this guide may not be available in all markets
and are subject to change at any time.

The product specifications in this guide apply to the specific products and
models described at the date of issue. Under our policy of continuous product
improvement, these specifications may change at any time.

For current details about model and specification availability in your country,
please go to our website or contact your local Fisher & Paykel dealer.

592794C 11.25