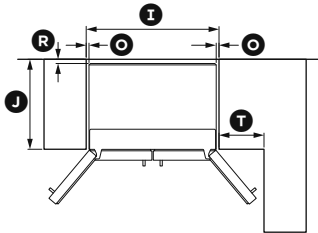
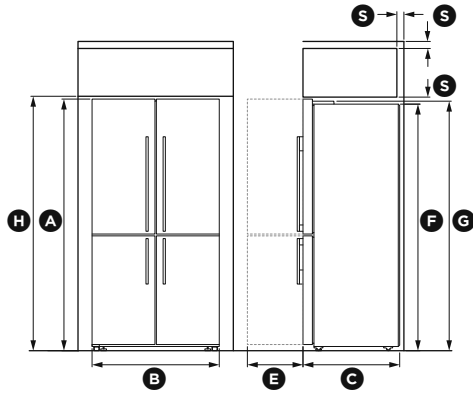




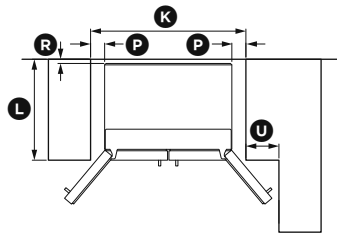
<b>Selected Model</b>	
Model number	RF203QDUVX1
<b>Dimensions</b>	
Overall Width (in.)	35 5/8"
Depth (in.)	27 1/16"
Overall Height (in.)	70 1/2"
<b>Exterior Appearance</b>	
Door Design	EZKleen™ Stainless Steel Flat Door
Handle Type	Stainless steel square shape
Freestanding	Yes
Frontage Color	EZKleen™; Stainless Steel
Concealed Hinges	Yes
<b>Features</b>	
Configuration	French Door
Freezer Type	Door
Temperature Management System	ActiveSmart™
Door swing	French doors
Interior Lighting	LED Lightning
Sabbath Mode	Yes
Soft Closing Doors	Yes
Icemaker	Factory-Installed
<b>Capacity</b>	
Total Capacity	20.1 cu.ft.
Refrigerator Capacity	13.1 cu.ft.
<b>ActiveSmart™</b>	
Defrost Type	Automatic
Door Alarm	Yes
<b>Warranty</b>	
Full 2 years	Entire Appliance; In-Home; Parts & Labour
5 years warranty	Sealed system (parts only)

# INSTALLATION INSTRUCTIONS

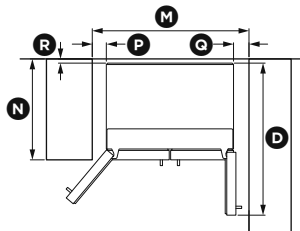
## Product and cabinetry dimensions



Flush with refrigerator chassis – full door rotation



Flush with refrigerator door – full door rotation



Flush with refrigerator door – 90° door rotation

# INSTALLATION INSTRUCTIONS

<b>PRODUCT DIMENSIONS</b>	<b>inches (mm)</b>
(A) Overall height of product	70 1/2 (1790)
(B) Overall width of product	35 5/8 (905)
(C) Overall depth of product (excludes handle)	27 3/4 (705)
(D) Depth with door open — from rear of fridge — 90° rotation	42 11/16 (1084)
(E) Depth with door open — from flush with door — 90° rotation	15 9/16 (396)
(F) Height to top of chassis	69 1/16 (1754)
(G) Height to top of hinge cover	69 7/8 (1775)
<b>CABINETRY DIMENSIONS (including minimum air clearances)</b>	
(H) Inside height of cavity	71 1/4 (1810)
<b>Flush with refrigerator chassis — full door rotation</b>	
(I) Inside width	37 3/16 (945)
(J) Inside depth	25 3/16 (640)
<b>Flush with refrigerator door — full door rotation</b>	
(K) Inside width	43 1/2 (1105)
(L) Inside depth flush to flat door	28 1/4 (718)
<b>Flush with refrigerator door — 90° door rotation (for full drawer/shelf access, the doors need to be open past 90°)</b>	
(M) Inside width	43 1/2 (1105)
(N) Inside depth flush to flat door	28 1/4 (718)
<b>MINIMUM CLEARANCES</b>	
(O) Side clearance	13/16 (20)
(P) Side clearance — hinge side flush with door — full rotation	3 15/16 (100)
(Q) Side clearance — hinge side flush with door — 90° rotation	3 15/16 (100)
(R) Rear clearance	1 3/16 (30)
(S) Vent (above refrigerator cabinet or around top of cupboard)	2 (50)
(T) Door clearance — hinge side flush with chassis — full rotation	12 5/8 (320)
(U) Door clearance — hinge side flush with door — full rotation	9 1/4 (235)