



15" ICE MAKER

DETAILED PLANNING DIMENSIONS GUIDE

JUIFX15H, JUIFN15H
 147/8"(W)x3313/16"(H)x2311/16"(Depth without door panels/handles)

Choose one of following configurations to match your kitchen design.

Base Unit Model Number	Stainless Steel Panel Kits			
	RISE™ Stainless Steel Panel Kit		NOIR™ Stainless Steel Panel Kit	
JUIFX15H, JUIFN15H	LH: JKRPL151HL RH: JKRPR151HL		LH: JKRPL151HM RH: JKRPR151HM	

OPTIONAL ACCESSORIES FOR CUSTOM OVERLAY DESIGNS

RISE™ STAINLESS HANDLE KIT

- ✂ W11231235
- ✂ For use with Custom Overlay panels
- ✂ Quantity - One handle per kit

NOIR™ STAINLESS HANDLE KIT

- ✂ W11231232
- ✂ For use with Custom Overlay panels
- ✂ Quantity - One handle per kit

Because Whirlpool Corporation policy includes a continuous commitment to improve our products, we reserve the right to change materials and specifications without notice.

Dimensions are for planning purposes only. For complete details, see Installation Instructions packed with product. Specifications subject to change without notice.

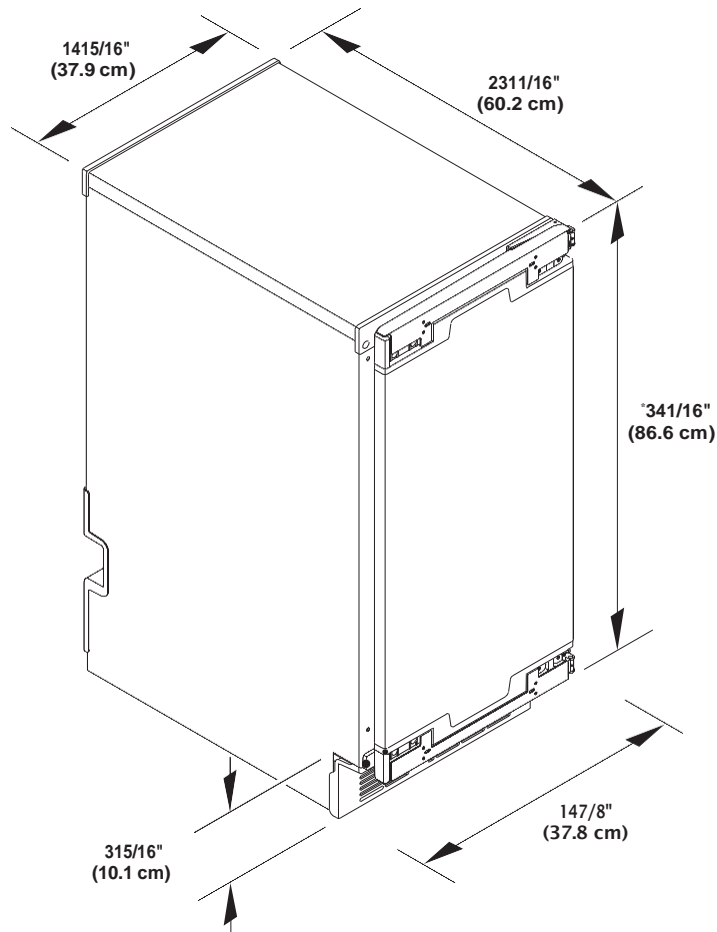


15" ICE MAKER

DETAILED PLANNING DIMENSIONS GUIDE

JUIFX15H, JUIFN15H
147/8"(W)x3313/16"(H)x2311/16"(Depth without door panels/handles)

PRODUCT DIMENSIONS



*Add 1" (2.5 cm) to the height dimension when leveling legs are fully extended.

Because Whirlpool Corporation policy includes a continuous commitment to improve our products, we reserve the right to change materials and specifications without notice.

Dimensions are for planning purposes only. For complete details, see Installation Instructions packed with product. Specifications subject to change without notice.



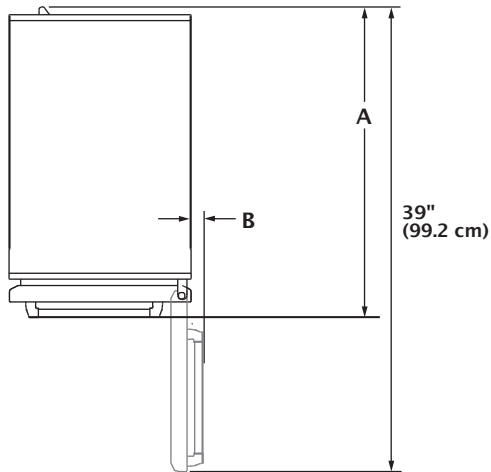
15" ICE MAKER

DETAILED PLANNING DIMENSIONS GUIDE

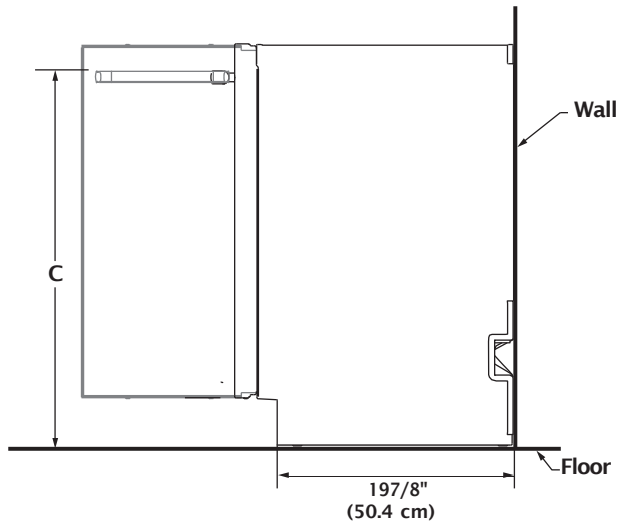
JUIFX15H, JUIFN15H

147/8"(W)x3313/16"(H)x2311/16"(Depth without door panels/handles)

PRODUCT DIMENSIONS



TOP VIEW



FRONT VIEW

DIMENSION	DESCRIPTION	JUIFX15H, JUIFN15H
A	Depth with handle	
	RISE™ Stainless	267/16" (67.2 cm)
	NOIR™ Stainless	2513/16" (65.5 cm)
B	Width from side of ice machine to handle - door open 90°	
	RISE™ Stainless	215/16" (7.4 cm)
	NOIR™ Stainless	21/4" (5.7 cm)
C*	Height to top of handle (min.)	
	RISE™ Stainless	311/2" (80.1 cm)
	NOIR™ Stainless	319/16" (80.2 cm)

Because Whirlpool Corporation policy includes a continuous commitment to improve our products, we reserve the right to change materials and specifications without notice.

Dimensions are for planning purposes only. For complete details, see Installation Instructions packed with product. Specifications subject to change without notice.



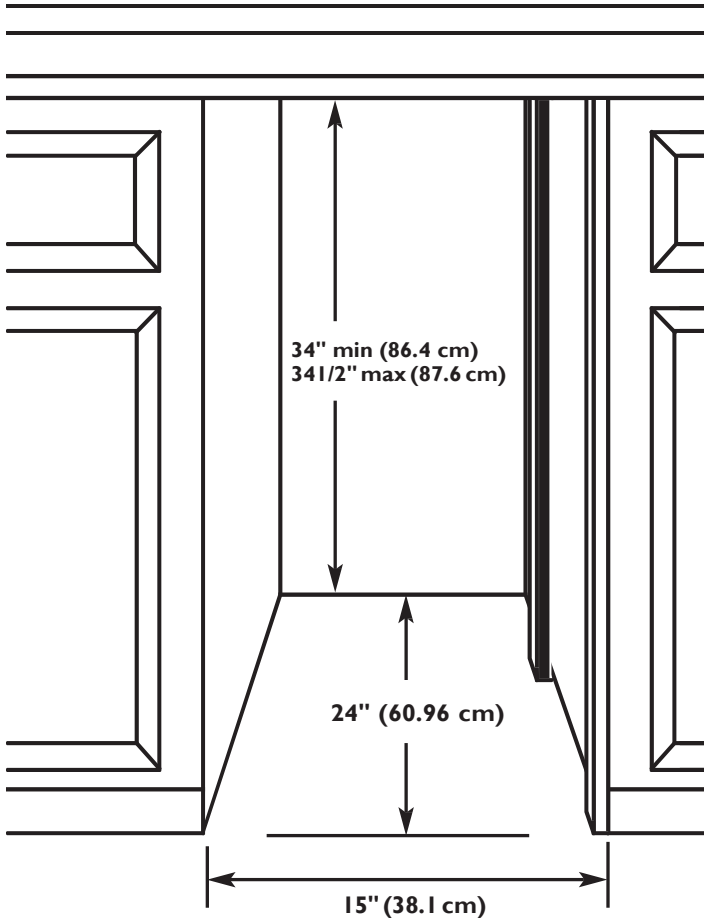
15" ICE MAKER

DETAILED PLANNING DIMENSIONS GUIDE

JUIFX15H, JUIFN15H

147/8"(W)x3313/16"(H)x2311/16"(Depth without door panels/handles)

OPENING/CLEARANCE DIMENSIONS



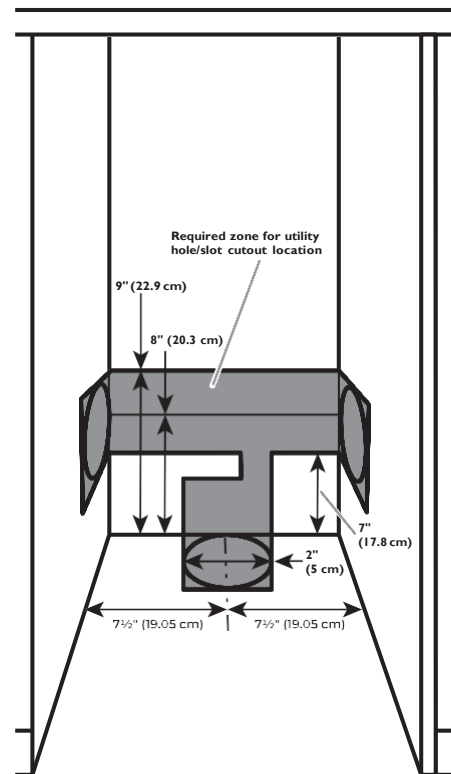
LOCATION REQUIREMENTS

To ensure proper ventilation for your ice maker, the front side must be completely unobstructed. The ice maker may be closed in on the top and three sides, however the installation should allow the ice maker to be pulled forward for servicing if necessary.

Floor must be able to support the ice maker's total weight, of more than 106 lbs (48.08 kg), including door panels and contents of the ice maker. It is important for the ice maker to be level in order to work properly. If needed, you can adjust the height of the ice maker by changing the height of the leveling legs.

Check that the power supply cord, water supply line, and drain line (on some models) are not damaged, pinched, or kinked between the ice maker and the cabinet.

- ✘ This ice maker has been designed for flush install in instances where the power supply, water supply, and drain are located in a cabinetry.
- ✘ For installation of product with utilities behind the ice maker, flush install may not be achieved.
- ✘ Refer illustration and table below for utility slot/hole cutout location.



Because Whirlpool Corporation policy includes a continuous commitment to improve our products, we reserve the right to change materials and specifications without notice.

Dimensions are for planning purposes only. For complete details, see Installation Instructions packed with product. Specifications subject to change without notice.



15" ICE MAKER

DETAILED PLANNING DIMENSIONS GUIDE

JUIFX15H, JUIFN15H

147/8"(W)x3313/16"(H)x2311/16"(Depth without door panels/handles)

ELECTRICAL REQUIREMENTS

⚠ WARNING



Electrical Shock Hazard

Plug into a grounded 3 prong outlet.

Do not remove ground prong.

Do not use an adapter.

Do not use an extension cord.

Failure to follow these instructions can result in death, fire, or electrical shock.

115 V, 60 Hz, AC only, 15 or 20 A fused, grounded circuit is required. A dedicated circuit is recommended. Use an outlet that cannot be turned off by a switch. Do not use an extension cord.

WATER SUPPLY REQUIREMENTS

A cold water supply with water pressure between 30 and 120 psi (207 and 827 kPa) is required to operate the ice maker. Call a licensed, qualified plumber with any questions about the water pressure.

Reverse Osmosis Water Supply

A reverse osmosis system may be used if the water pressure from the filtration system meets the required water pressure requirements.

If a reverse osmosis system is desired, only a whole-house capacity reverse osmosis system, capable of maintaining the steady water supply required by the ice maker, is recommended. Faucet capacity reverse osmosis systems are not able to maintain the steady water supply required by the ice maker.



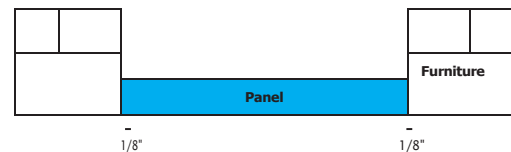
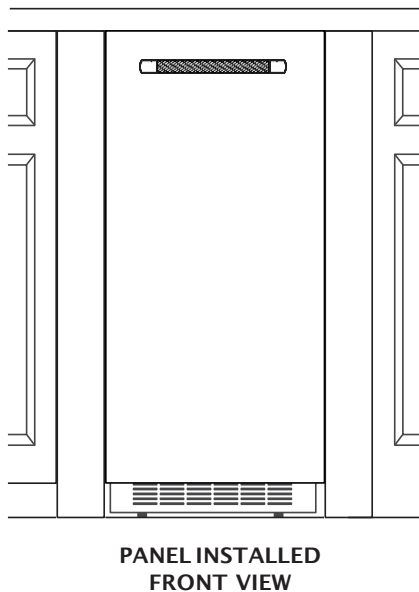
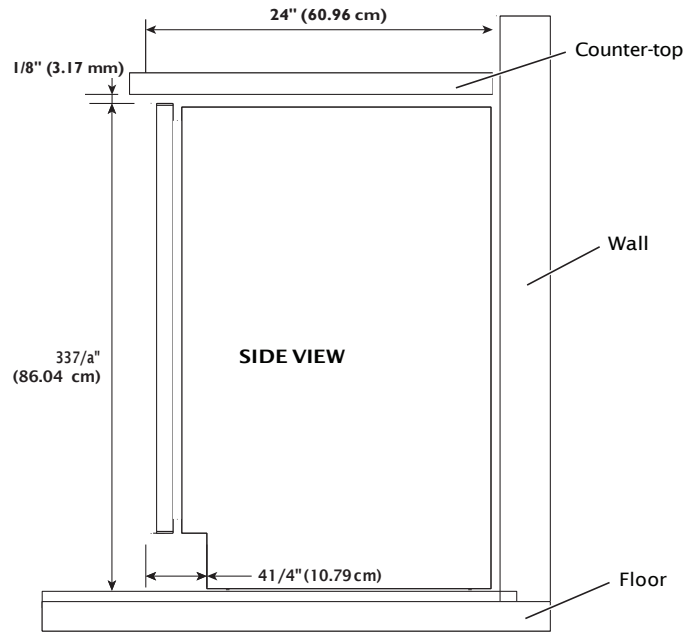
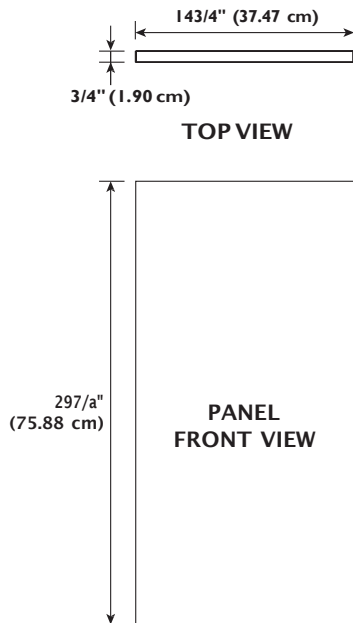
15" ICE MAKER

DETAILED PLANNING DIMENSIONS GUIDE

JUIFX15H, JUIFN15H

147/8"(W)x3313/16"(H)x2311/16"(Depth without door panels/handles)

WOOD PANEL GUIDE



- ✂ Overlay panel thickness is 3/4" (1.90 cm).
- ✂ Maximum panel weight is 15 lbs (6.8 kg).
- ✂ Panel dimensions shown are the minimum size to cover the appliance door.
- ✂ Panels can be made taller/wider to match surrounding cabinetry.
- ✂ Maximum door swing with factory installed hinge stop is 90 degrees.
- ✂ Leveler legs provide a maximum 1" (2.54 cm) of lift.
- ✂ Minimum opening height: 34" (86.36 cm). This produces a 1/8" (3.17 mm) reveal above the panel.
- ✂ Countersink all the handle mounting hardware.