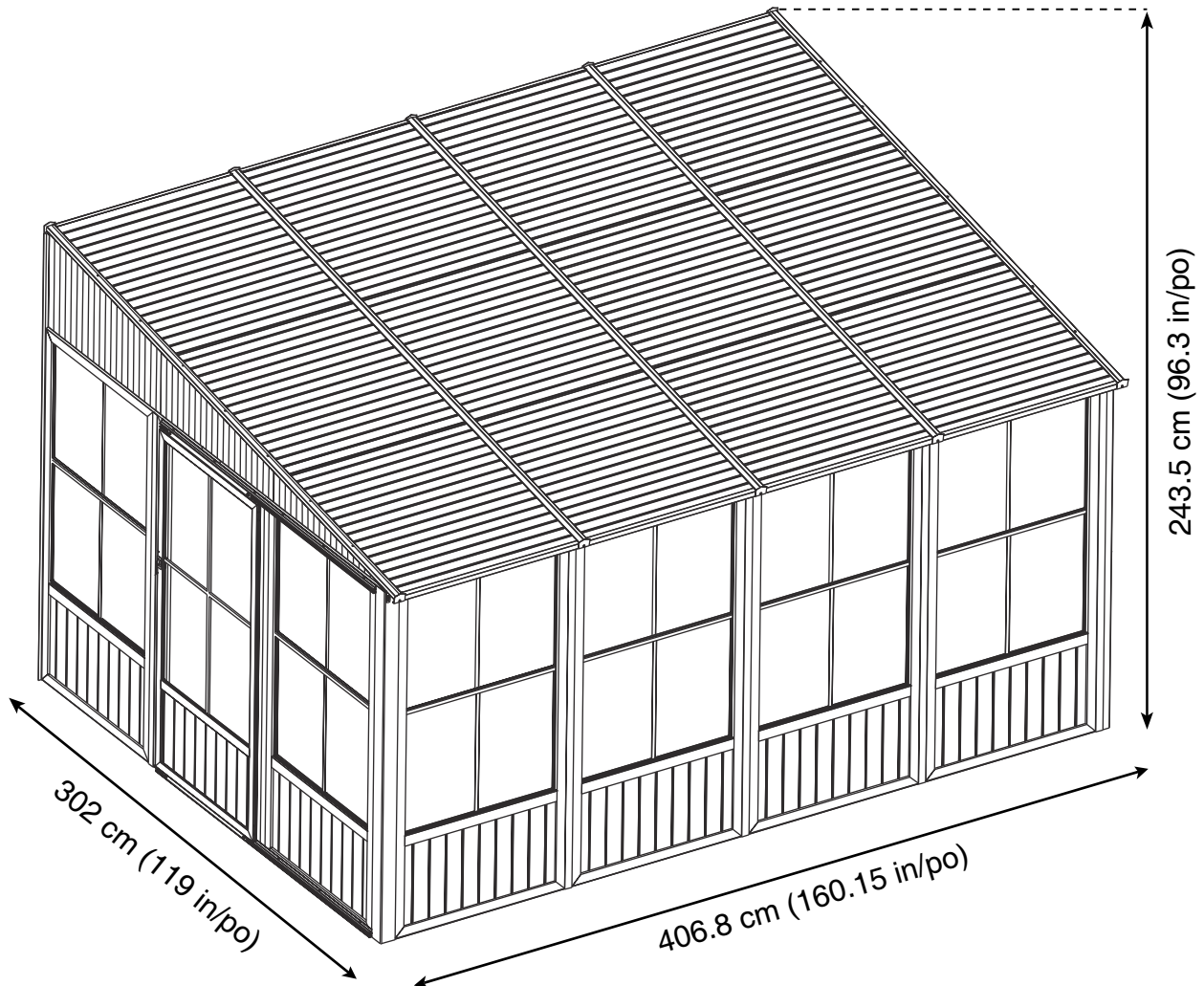


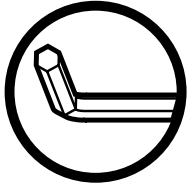
SOJAG

produits saisonniers • seasonal products

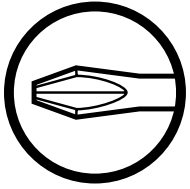
QUESTIONS? 1 866-901-1649

Assembly Manual / Guide d'assemblage / Manual de ensamblaje / 조립설명서 / Montageanleitung

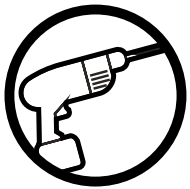




Use the hex keys in the box. / Utilisez les clés hexagonales fournies dans la boîte. /
Utilice las llaves hexagonales en la caja. / 상자에 육각 키를 사용 하십시오. / Verwenden Sie
die Sechskantschlüssel in der Box.



Please use a Phillips screwdriver. / Utilisez un tournevis de type Phillips / Por favor,
use un destornillador Phillips. / 십자 드라이버를 사용 하십시오. / Bitte verwenden
Sie einen Kreuzschraubenzieher.



You may need to use a drill for this step. / Vous pouvez avoir besoin d'utiliser une
perceuse pour cette étape. / Puede que tenga que utilizar un taladro para este paso. /
이 단계에선 드릴을 사용해야 할 수도 있습니다. / Für diesen Schritt können Sie einen
Bohrer verwenden.



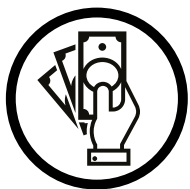
Wearing protective gloves is recommended. / Le port de gants de protection est recommandé /
El uso de guantes de protección se recomienda. / 보호 장갑을 착용 하는 것이 좋습니다. /
Das Tragen von Schutzhandschuhen wird empfohlen.



Two or more people are required at this stage. / Deux personnes ou plus sont nécessaires à cette
étape. / Dos o más personas se requieren en esta etapa. / 이 단계에서는 두 명 이상 이 필요합니다. /
Für diesen Bauschritt sind 2 oder mehr Personen erforderlich.

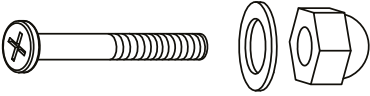


Do not tighten screws all the way for now. / Ne pas visser fermement pour l'instant. /
No atornille con firmeza por ahora. / 아직 나사를 단단히 조이지 마십시오. / Bitte die
Schrauben zum jetzigen Zeitpunkt noch nicht fest anziehen.

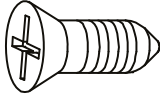


Sold separately. / Vendus séparément. / vendido en las opciones. /
옵션 판매 / Optional erhältlich

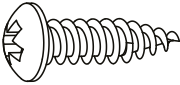
Ha X 12 (+2)



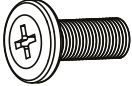
Hb X 8 (+2)



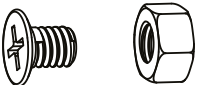
Hc X 24 (+4)



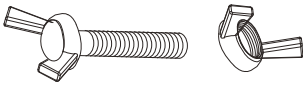
Hd X 53 (+5)



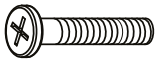
He X 24 (+3)



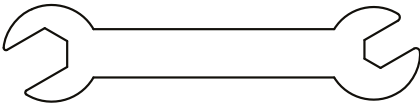
Hf X 2 (+1)



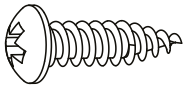
Hg X 21 (+3)

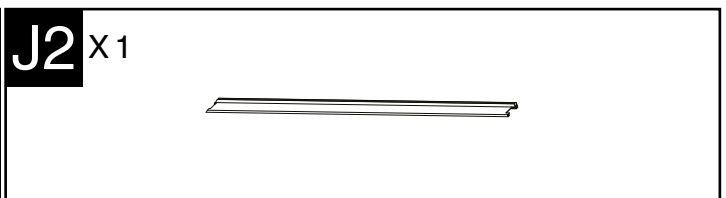
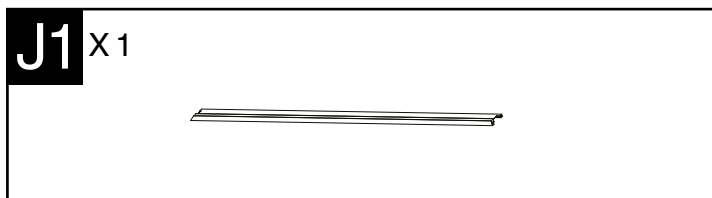
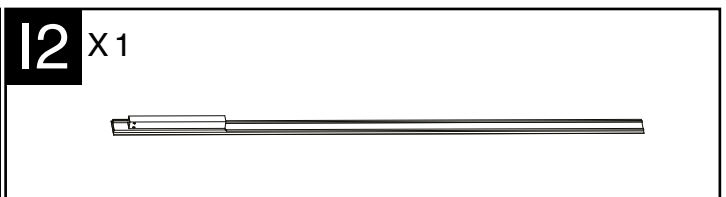
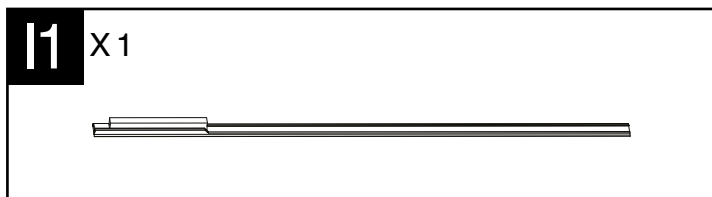
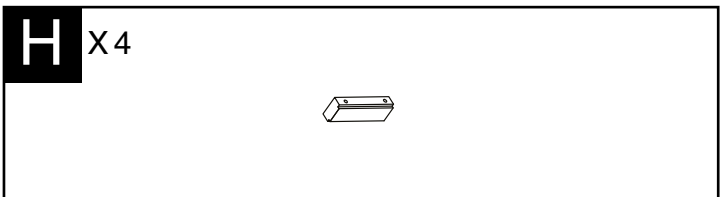
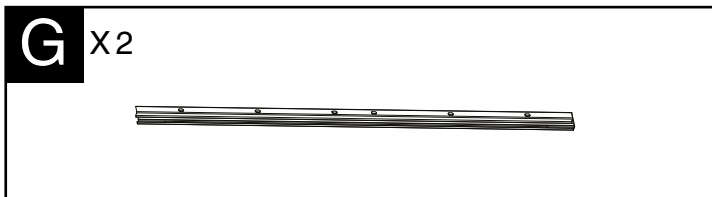
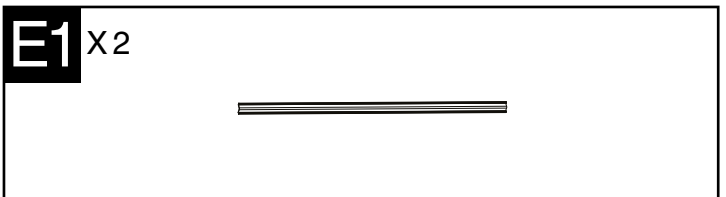
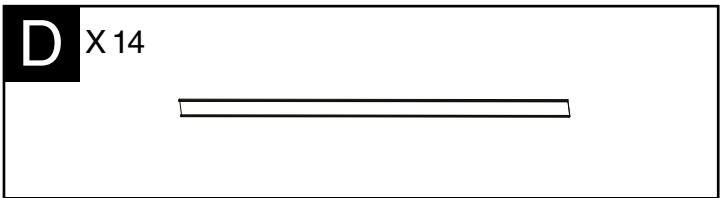
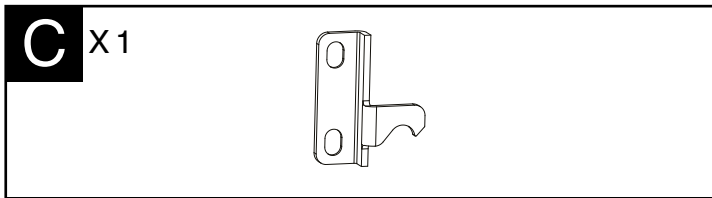
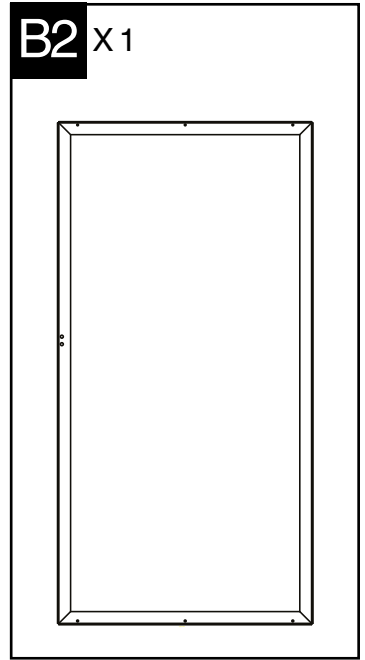
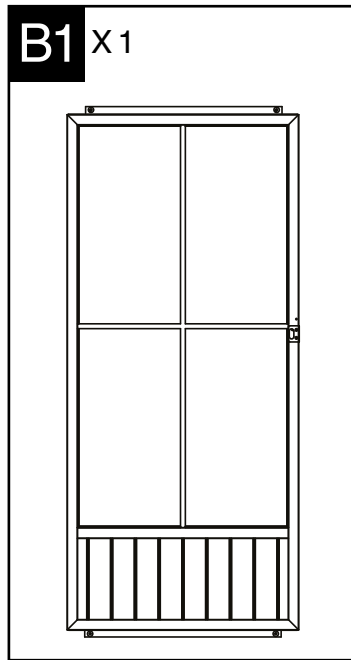
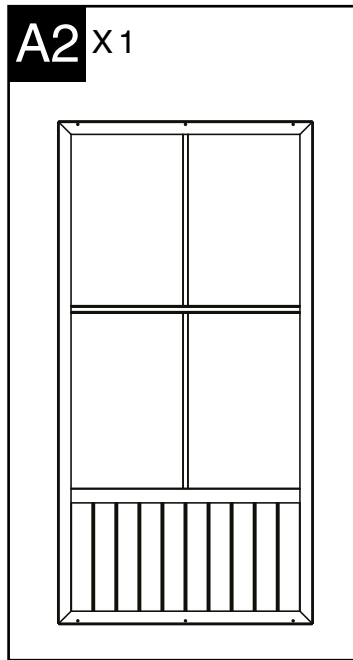
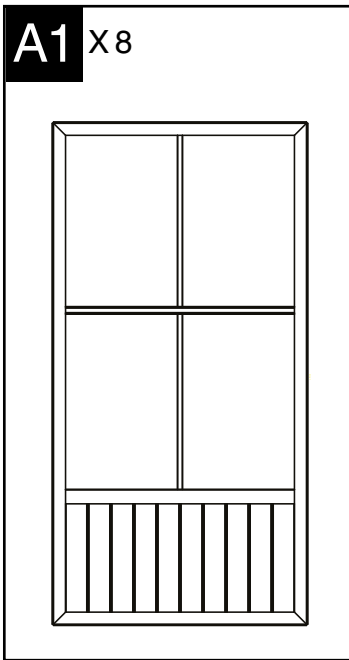


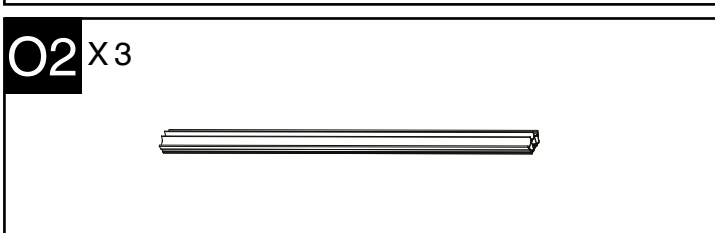
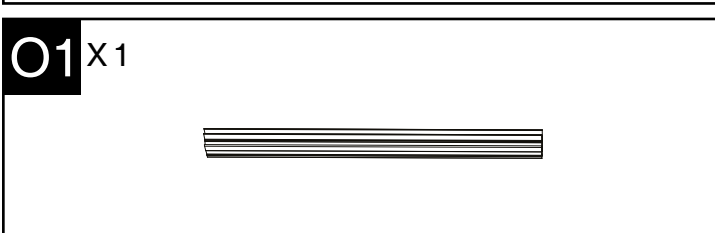
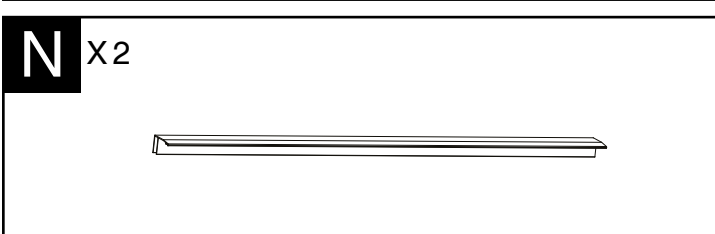
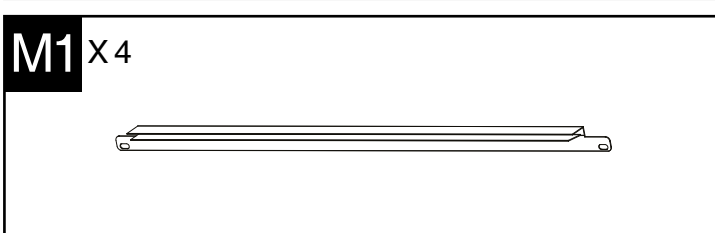
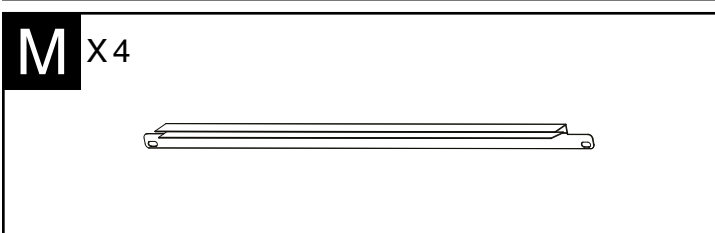
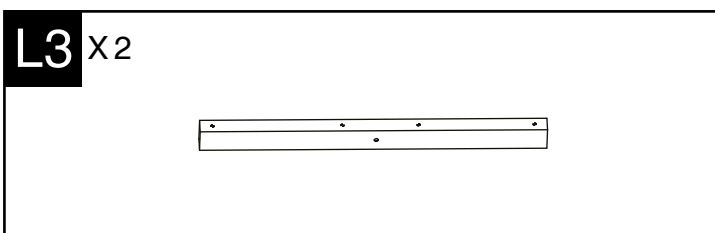
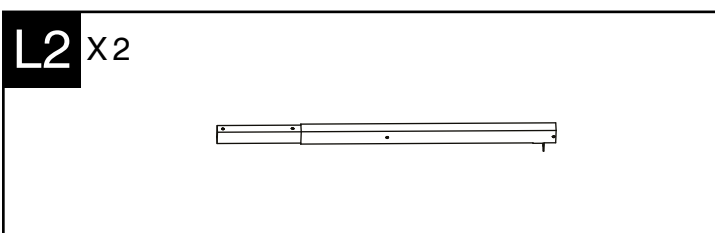
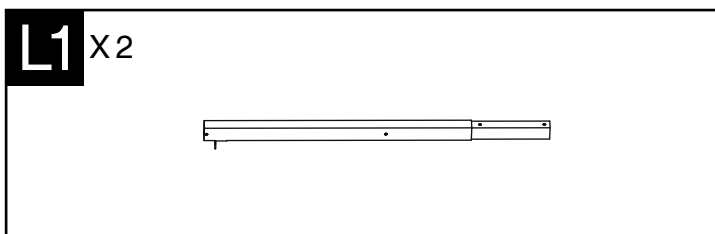
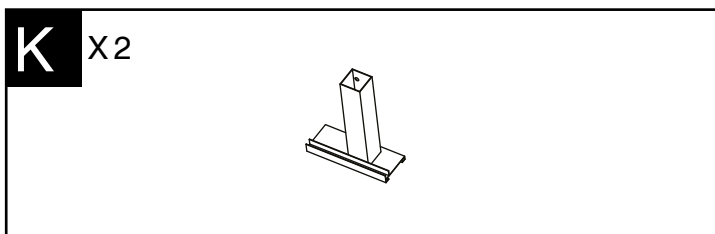
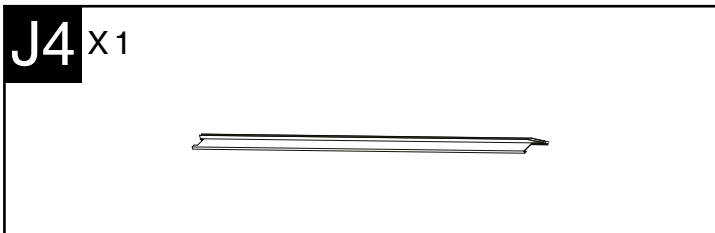
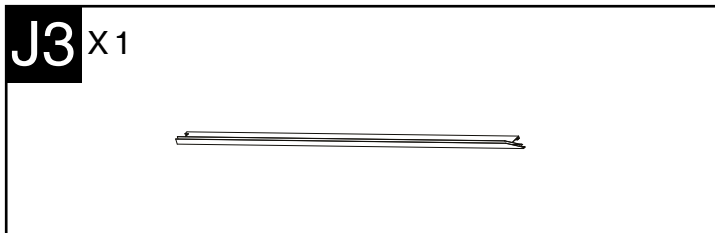
Hh X 1



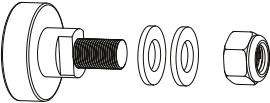
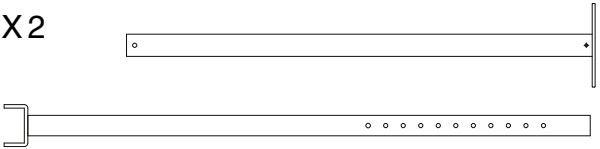
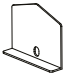

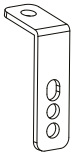
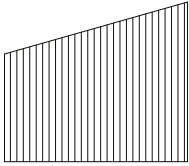
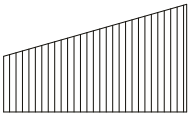

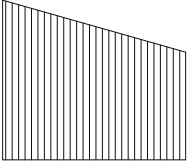
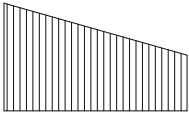

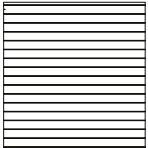
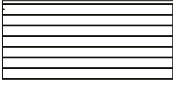
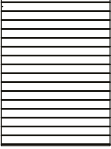
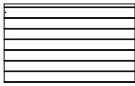


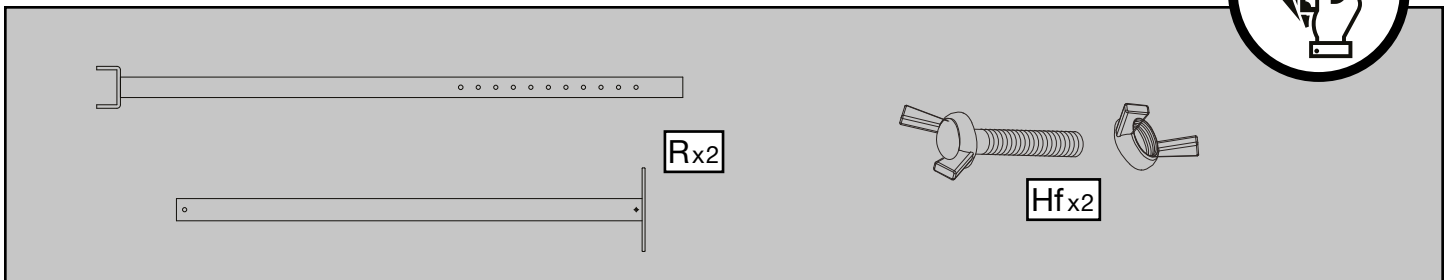
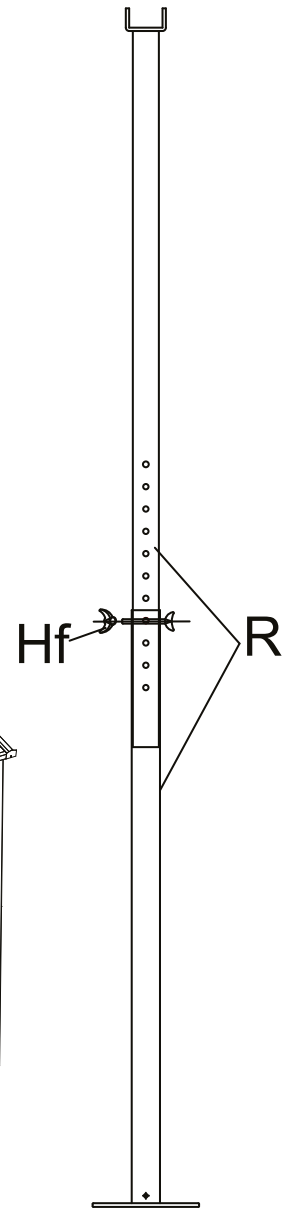
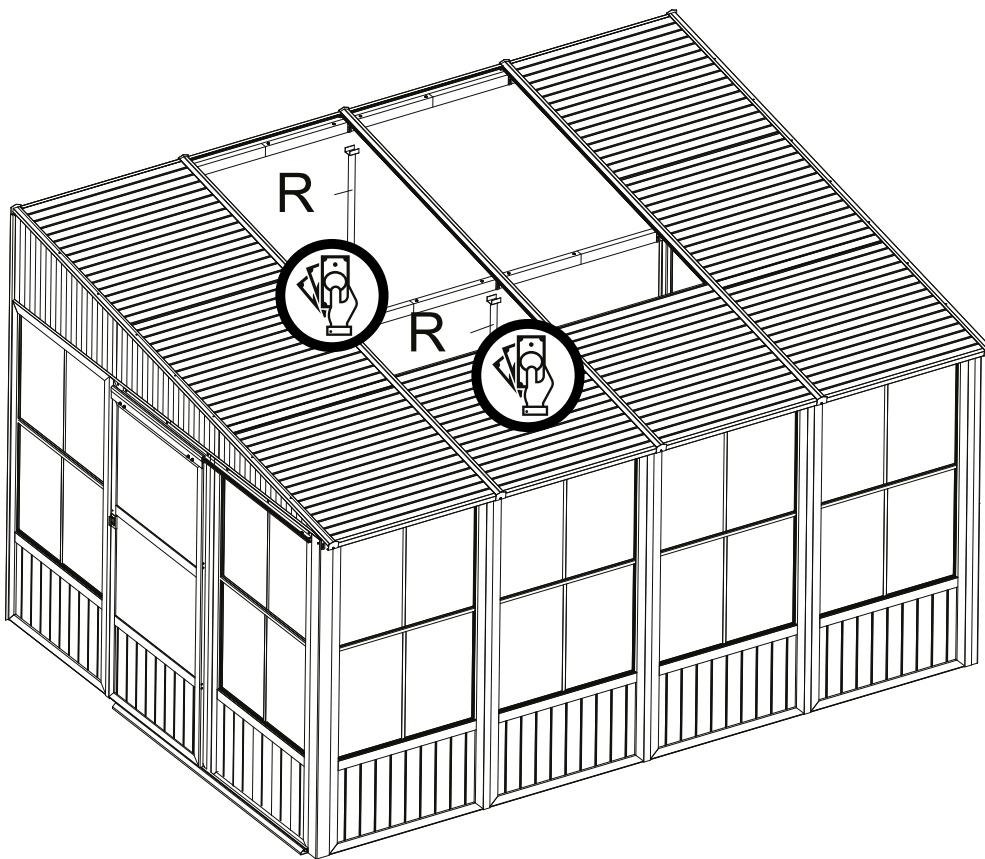
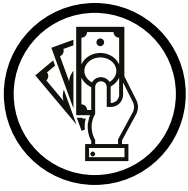
Hk X 6

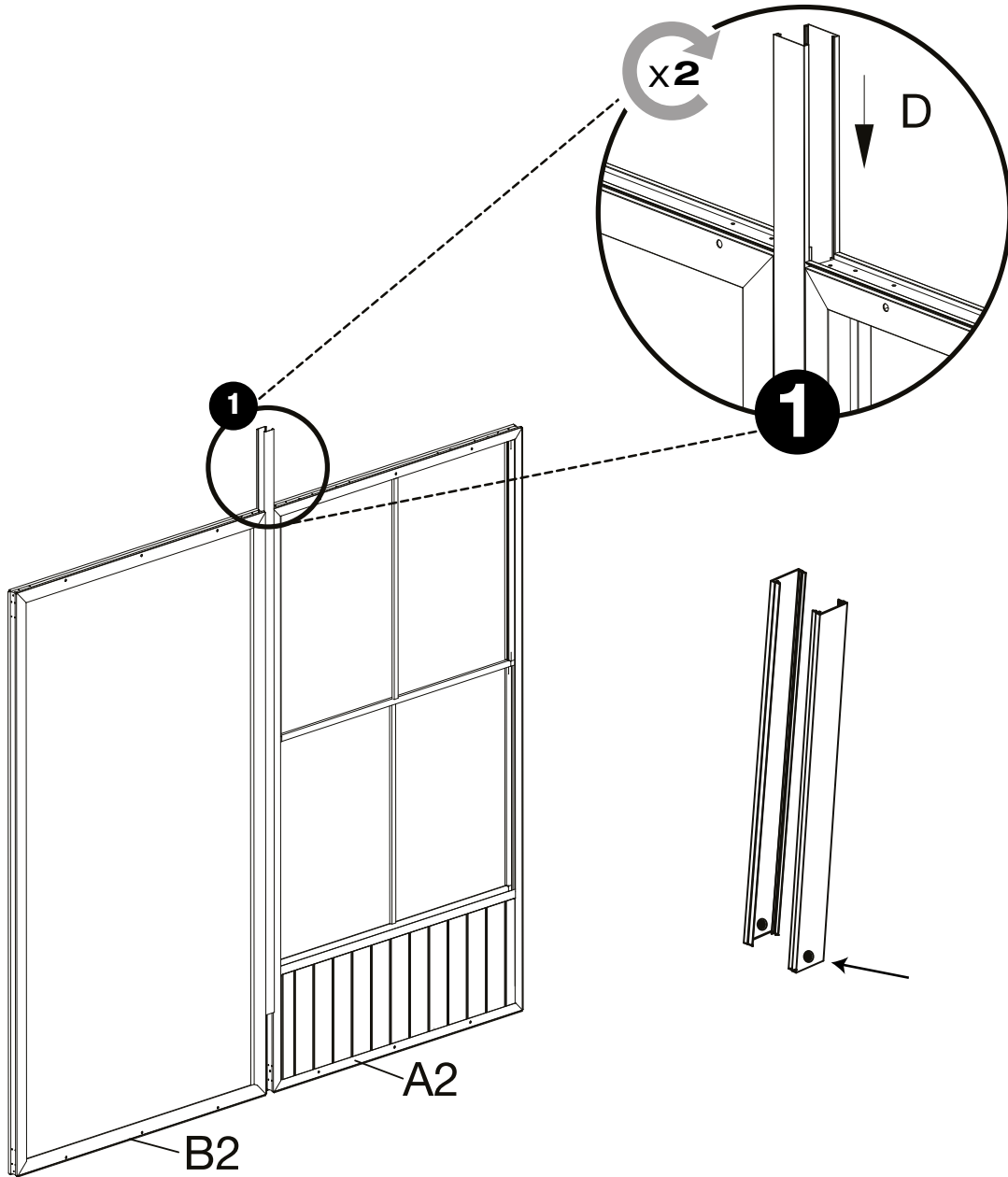




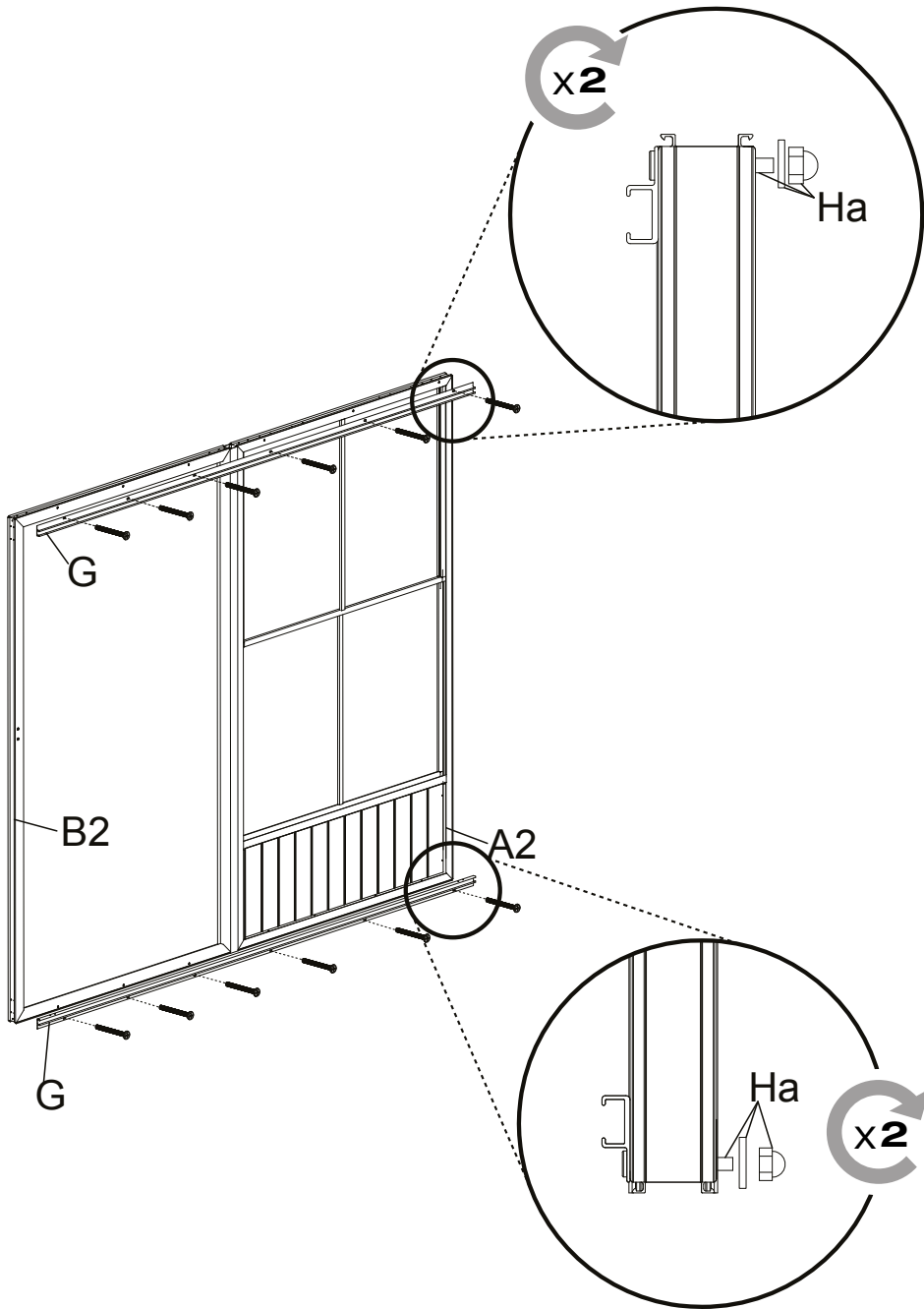


P X2 	P1 X2 	
B3 X4 	R X2 	
S X10 	T X3 	
U X14 	V1 X1 	
V2 X1 	V3 X1 	
V4 X1 	V5 X1 	
V6 X1 	W X6 	Wa X2 
W1 X6 	W1a X2 	

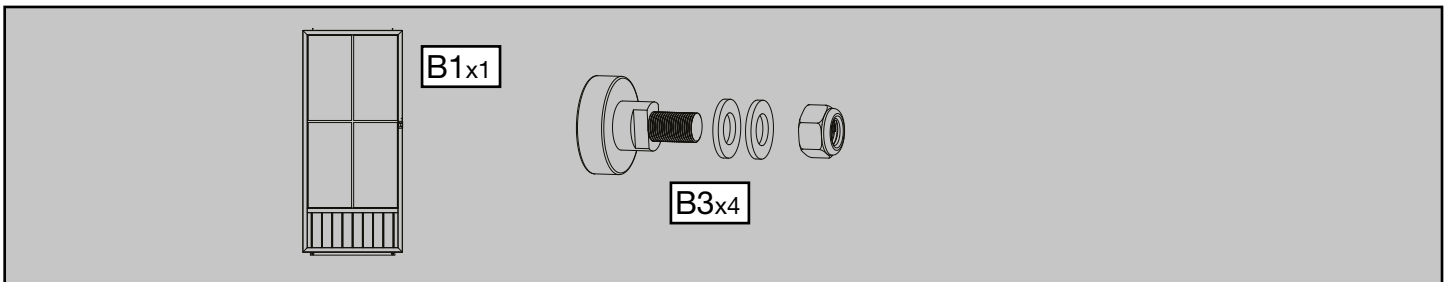
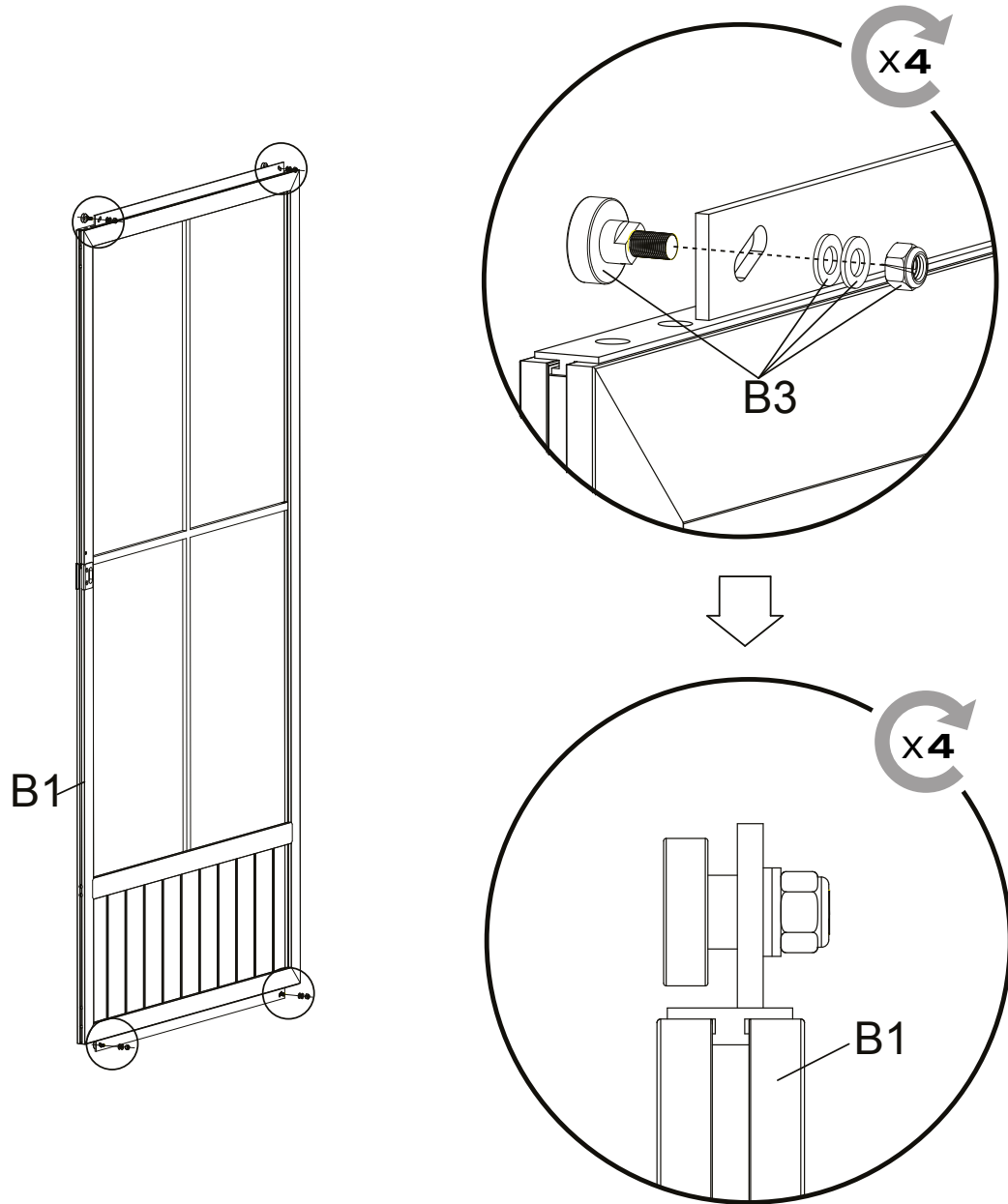


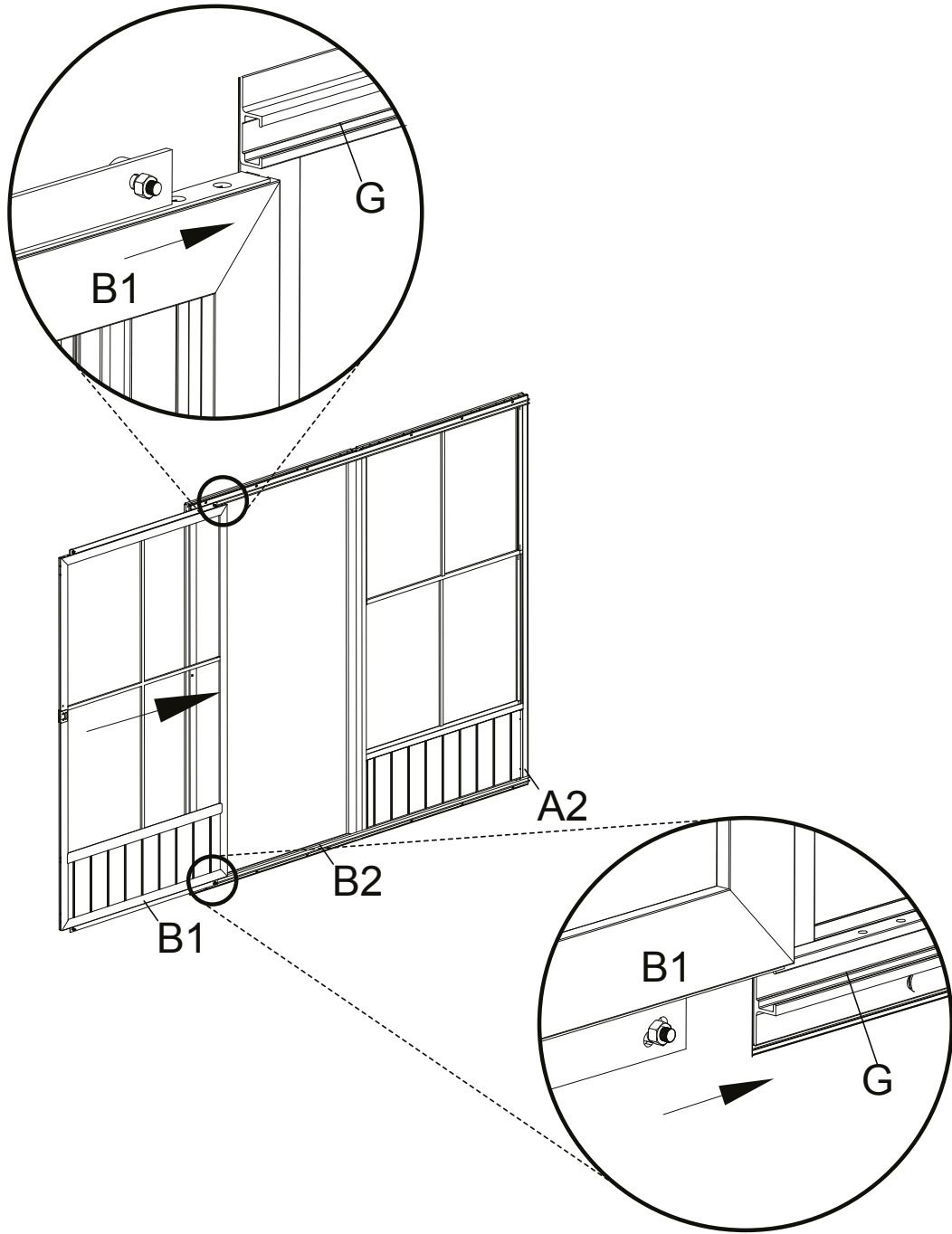


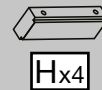
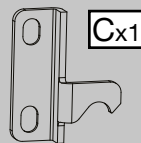
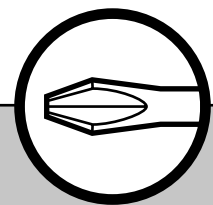
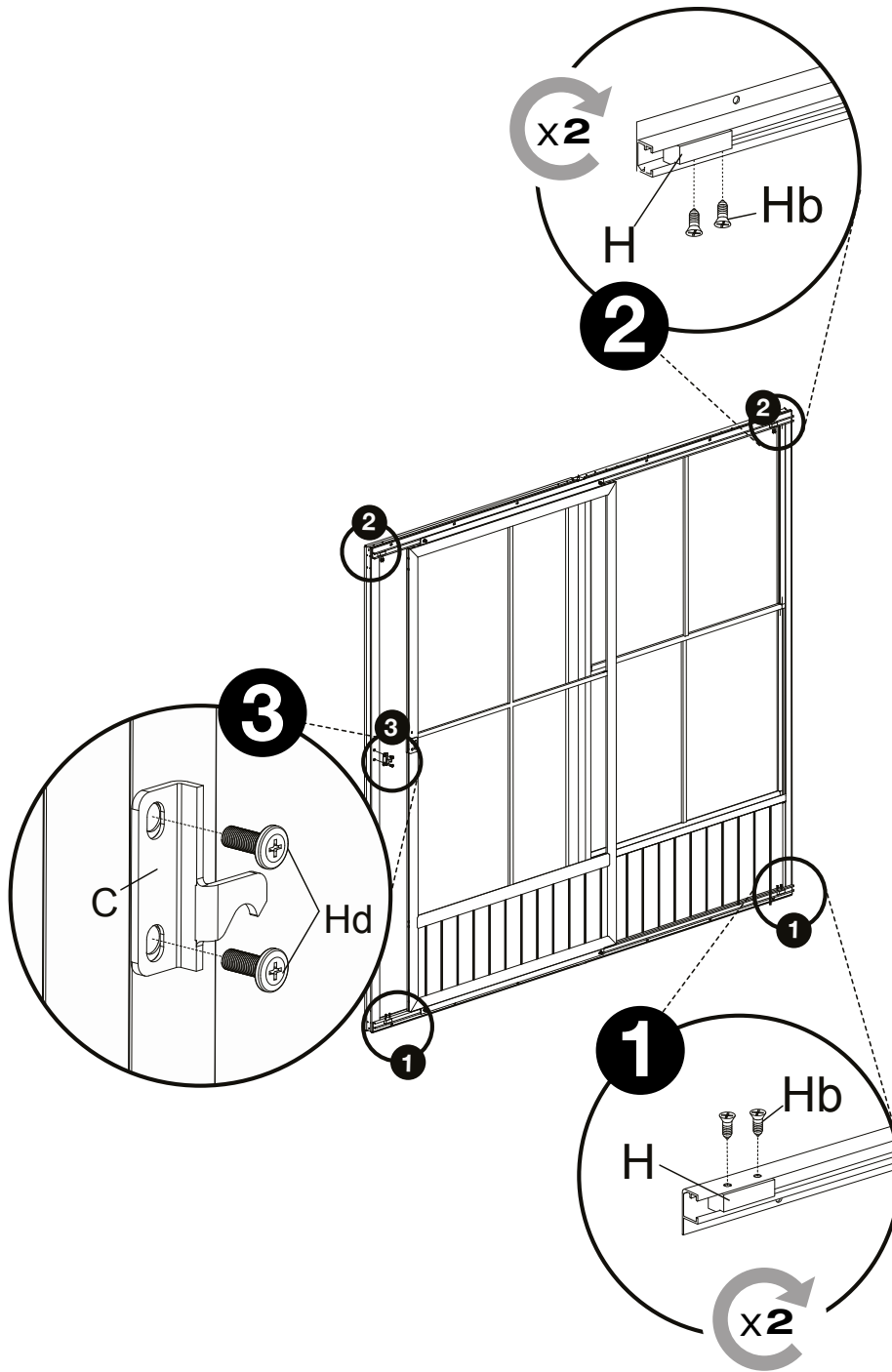
This section contains a parts list and a safety icon. On the left, there are two window icons: one with a lower section labeled A2x1 and one without labeled B2x1. In the center, there is a long, thin horizontal bar labeled Dx2. On the right, there is a circular icon containing two stylized human figures and the text '2+', indicating that two or more people are required for installation.

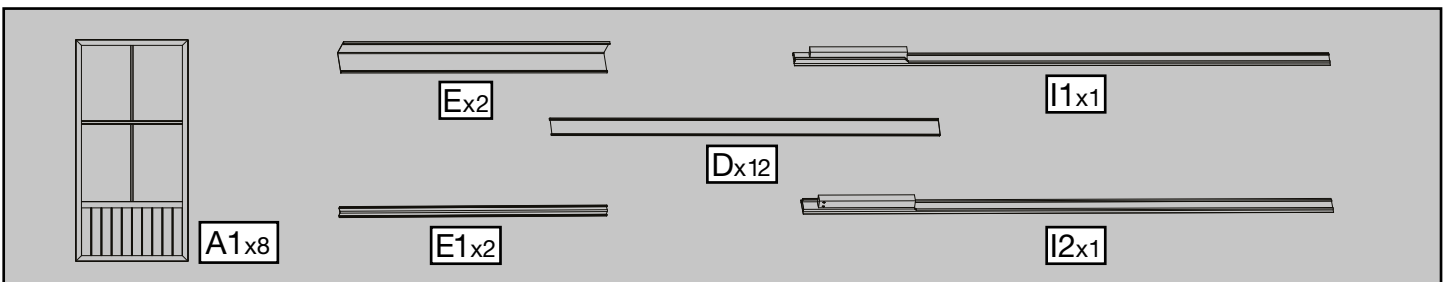
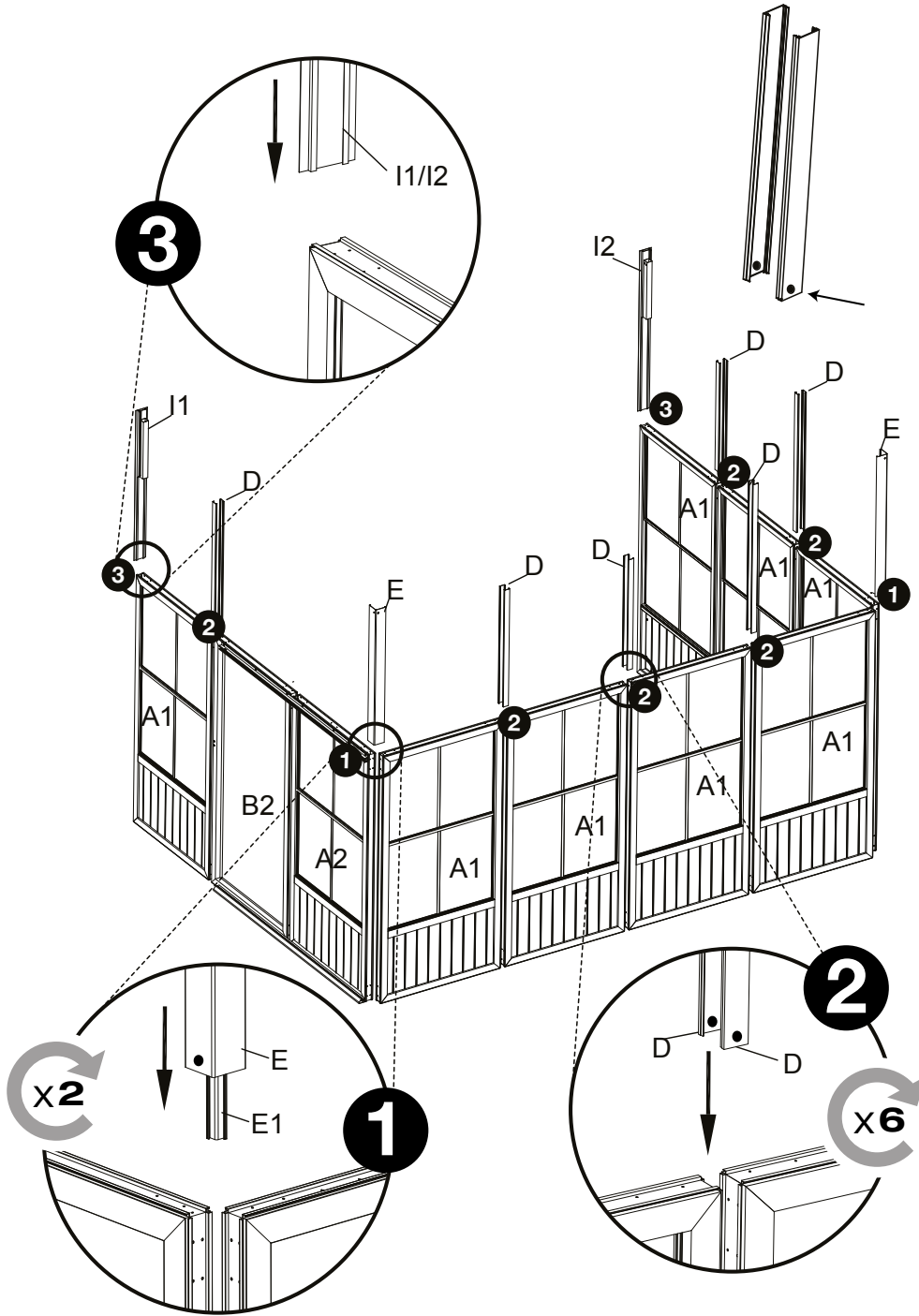


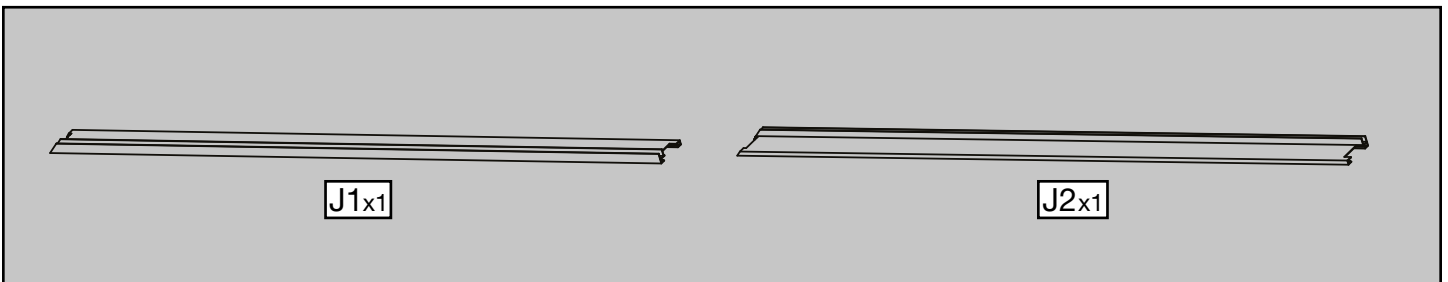
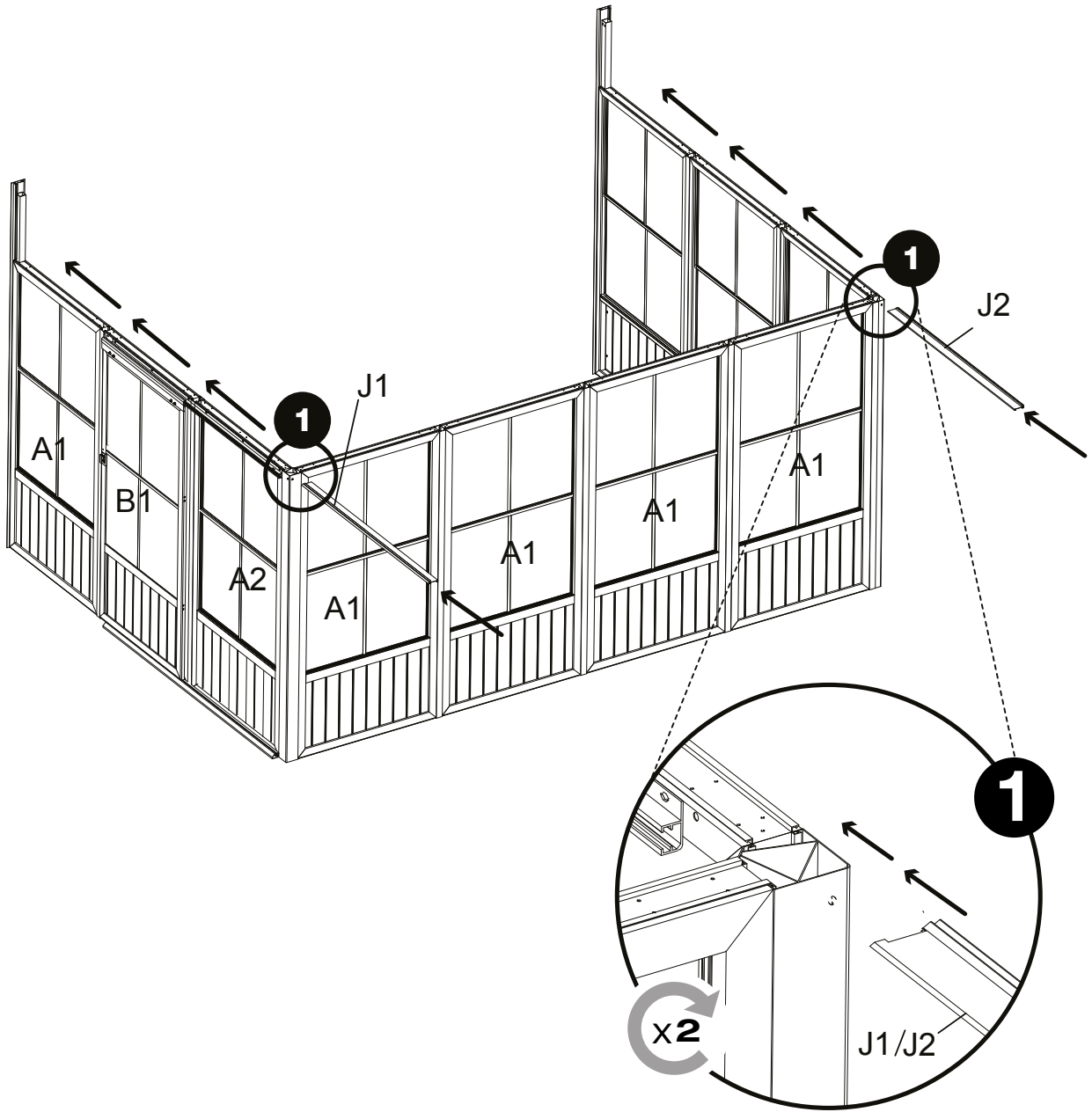
This section contains the parts list and safety instructions for the assembly step. On the left, a long, thin metal rail is shown, labeled 'Gx2'. In the center, a bolt and a nut are shown, labeled 'Ha x12'. On the right, there are two circular icons: the first shows two stylized human figures with the text '2+' below them, indicating that two people are required for this step; the second shows a hand with a fist inside a circle with a diagonal slash through it, indicating a warning or prohibition.

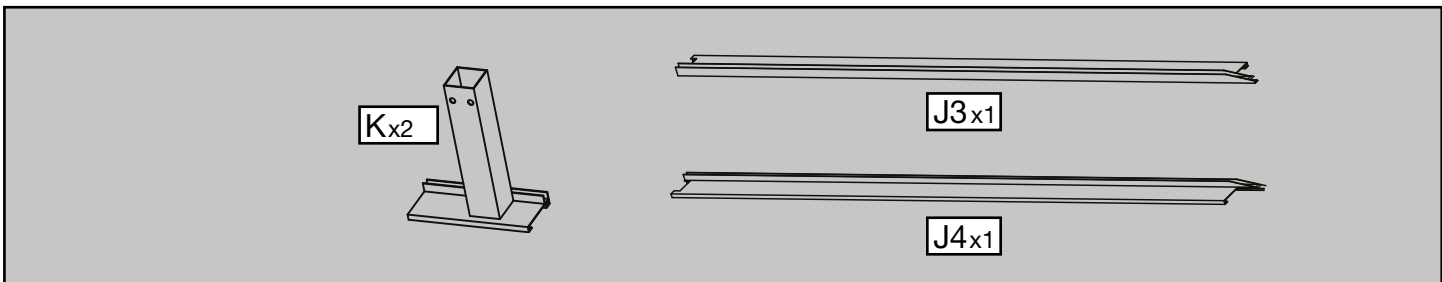
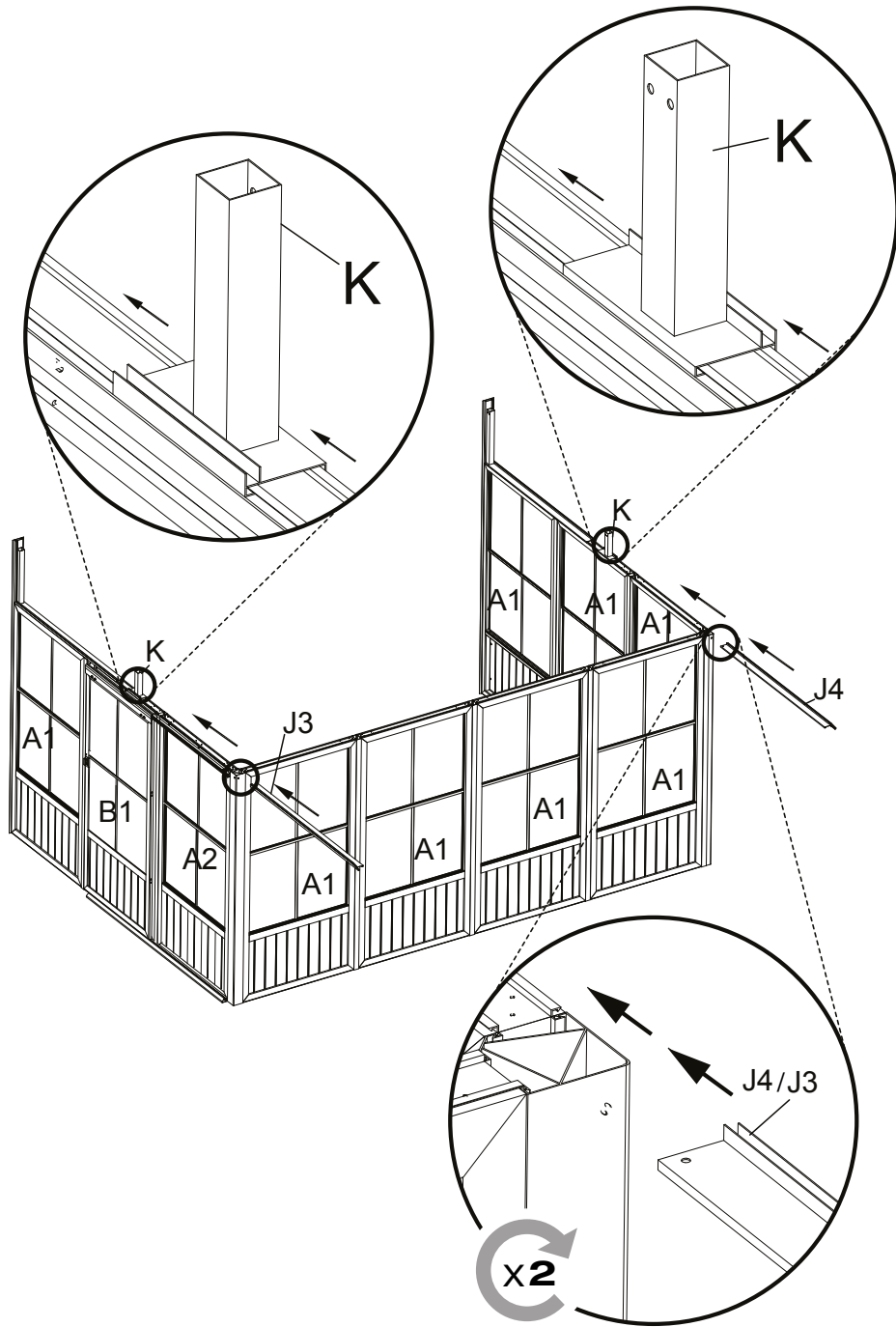


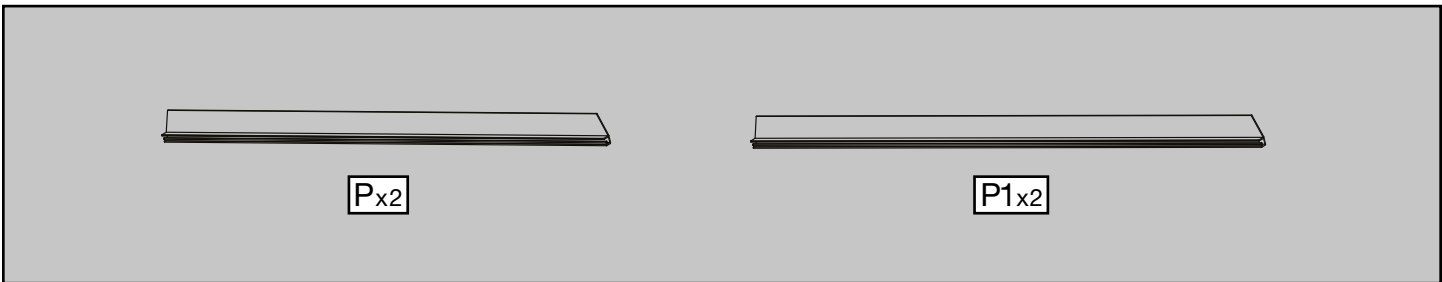
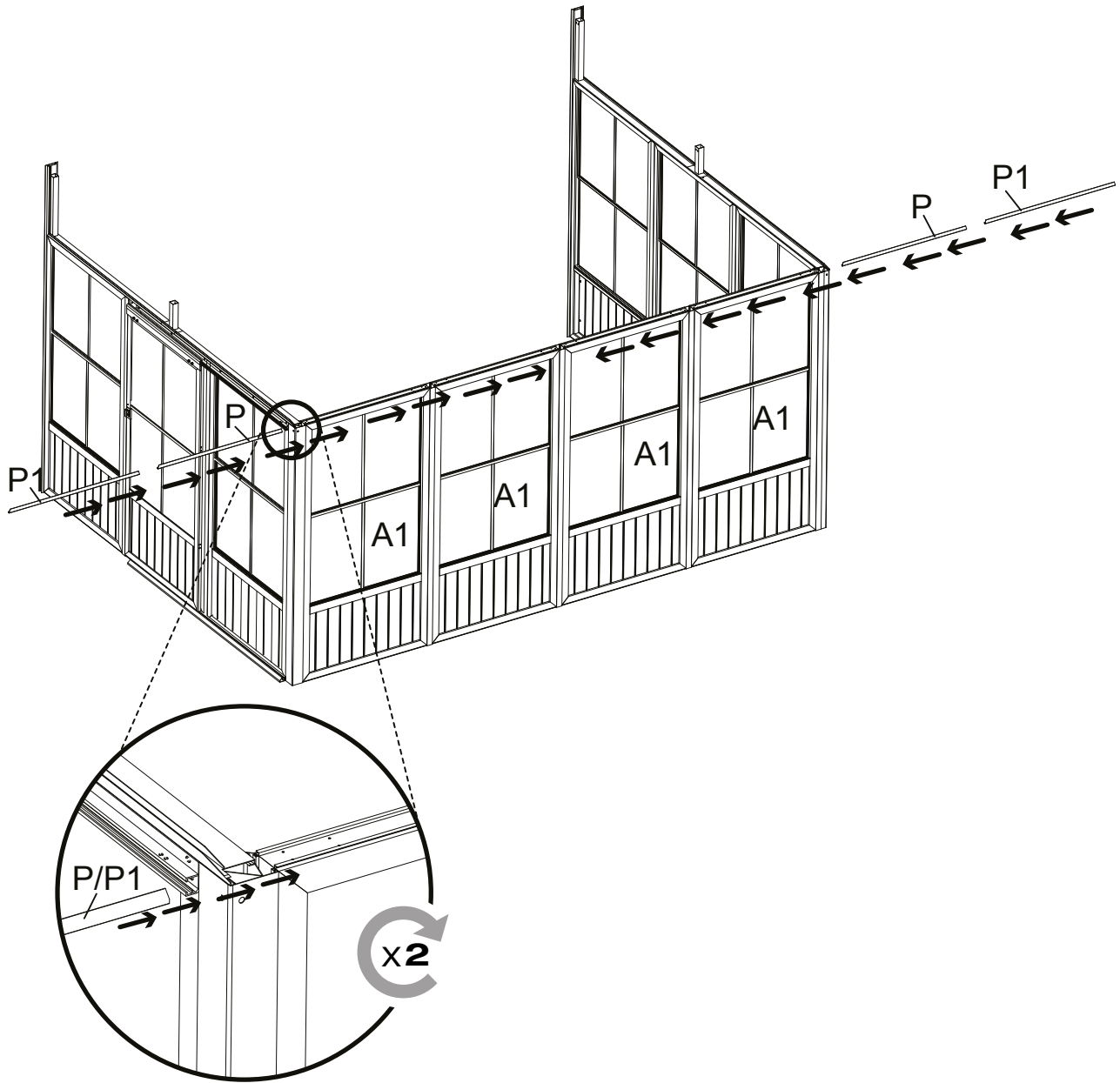


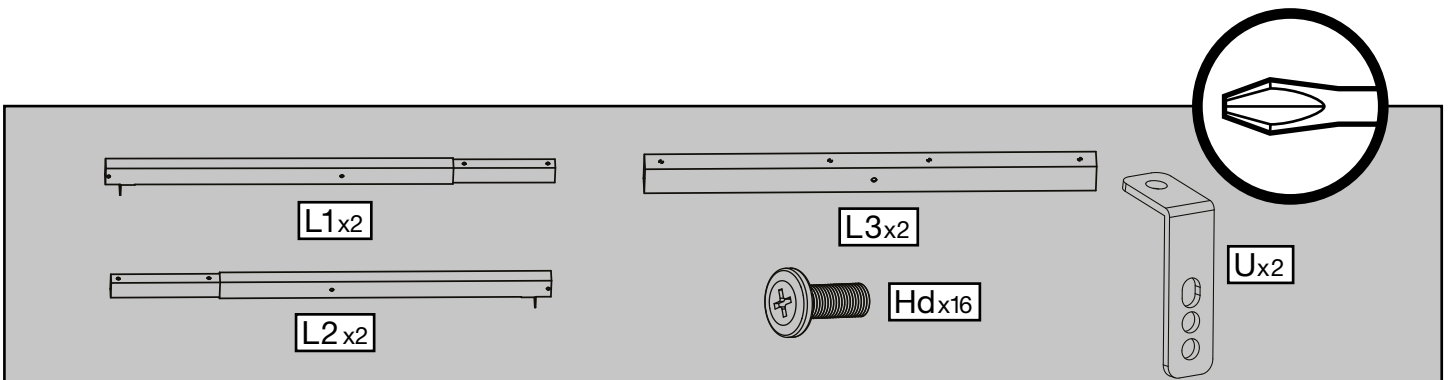
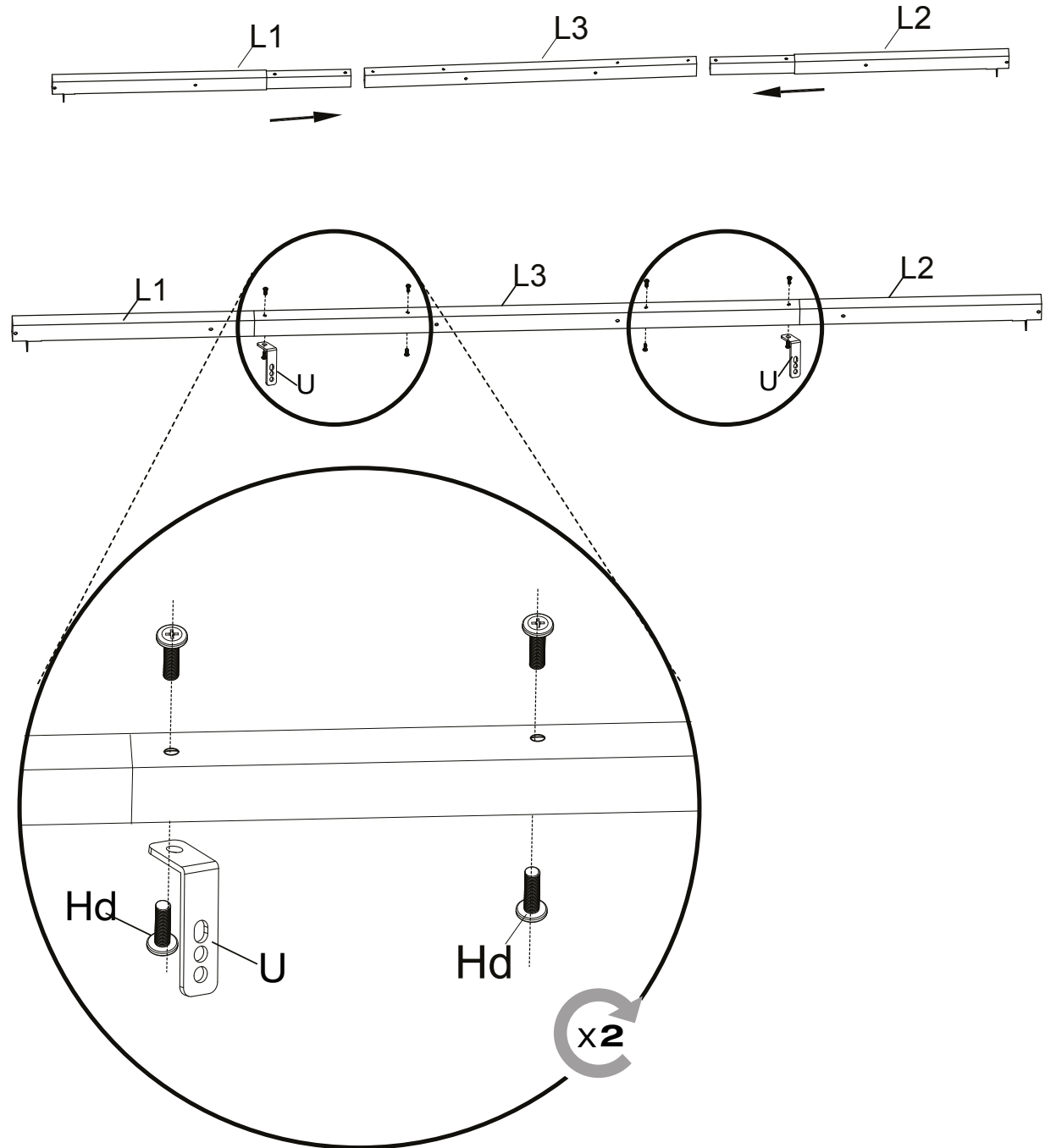


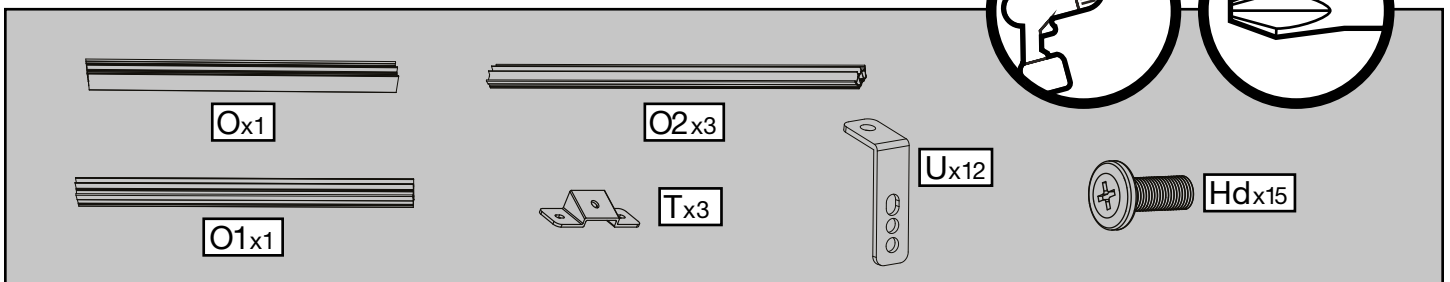
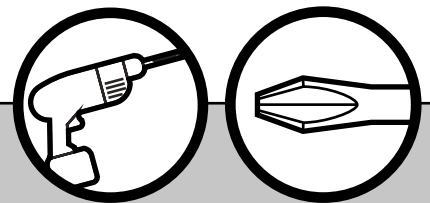
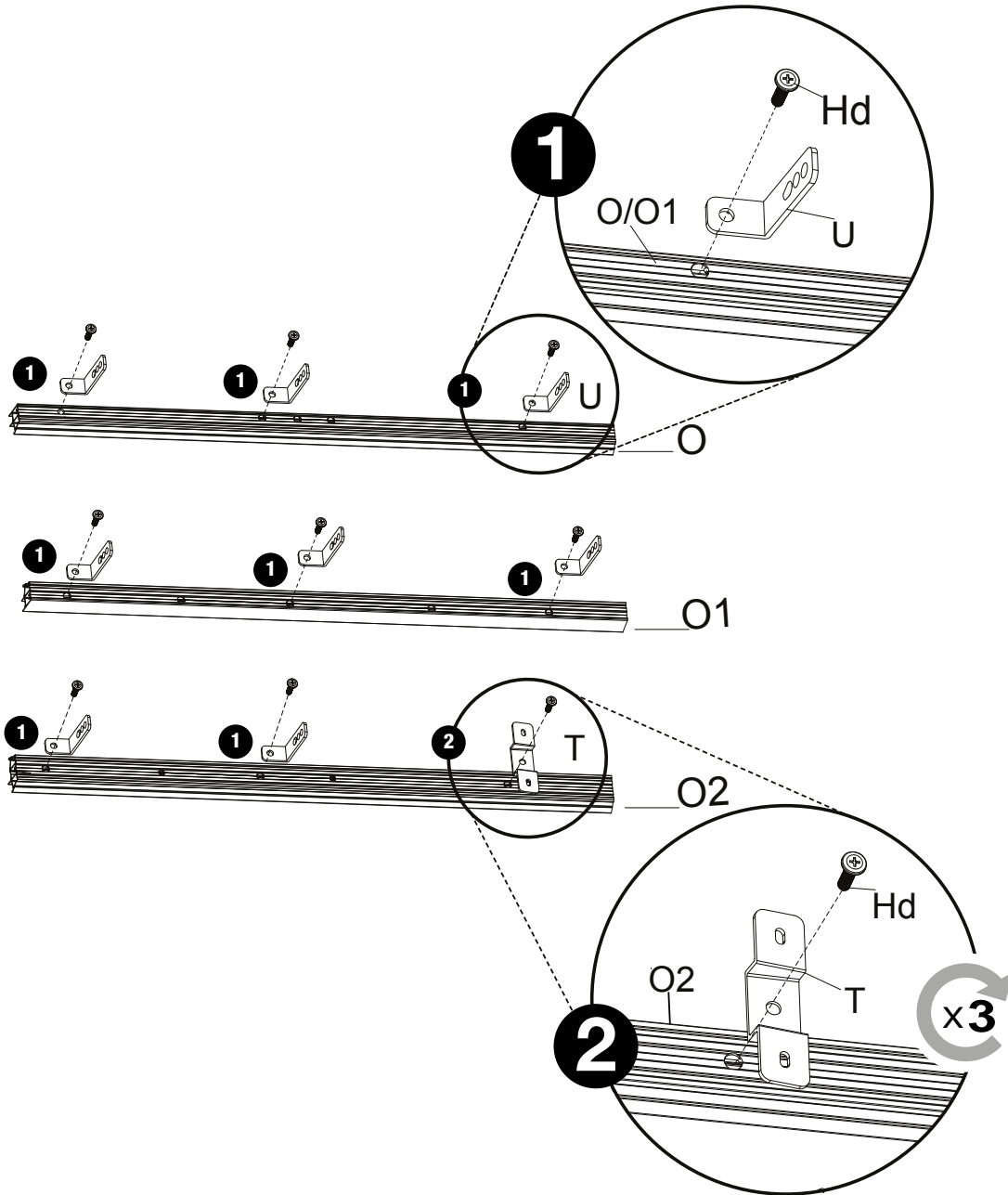


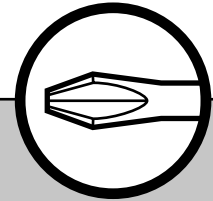
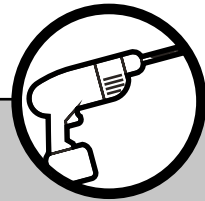
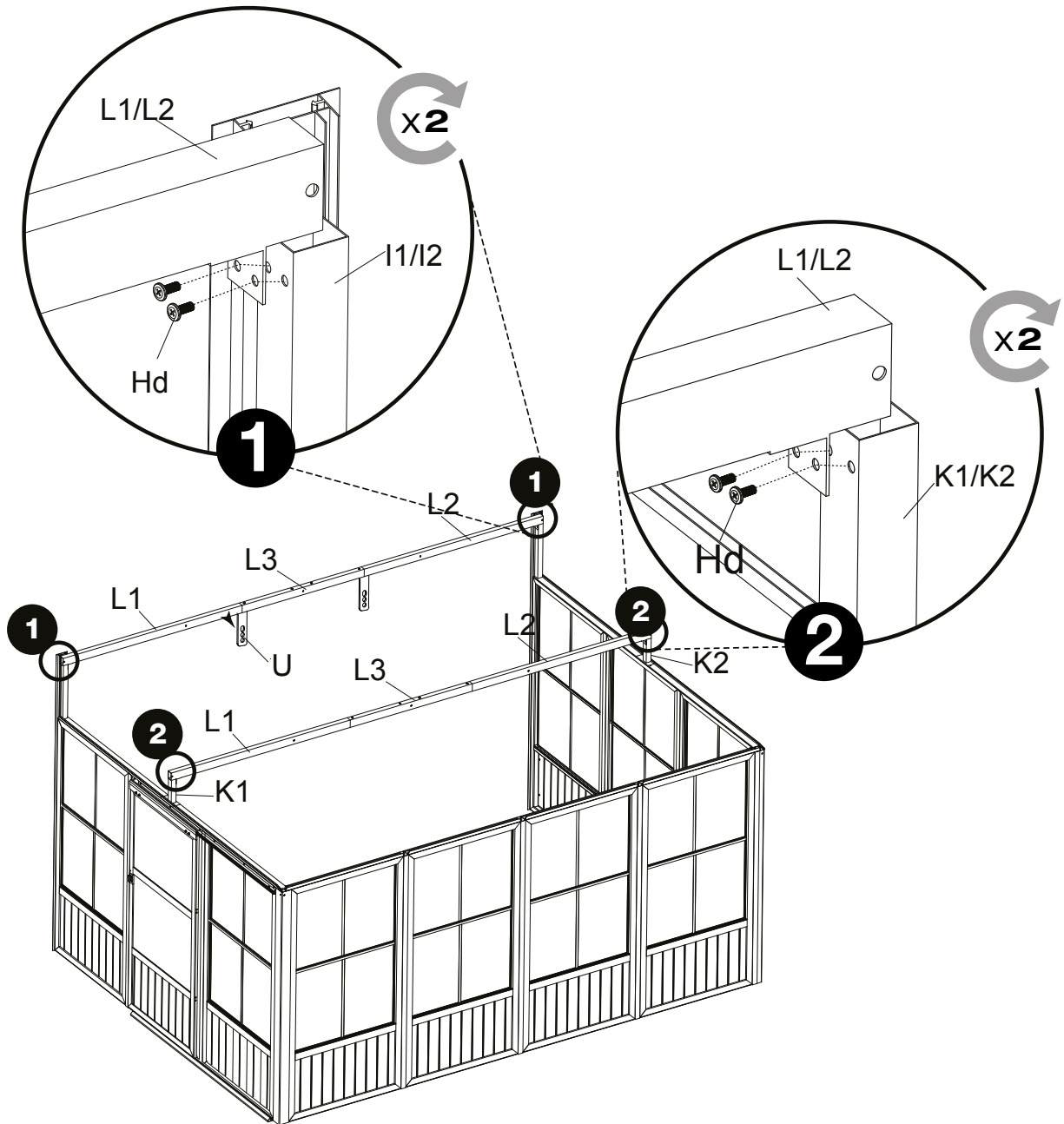


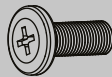
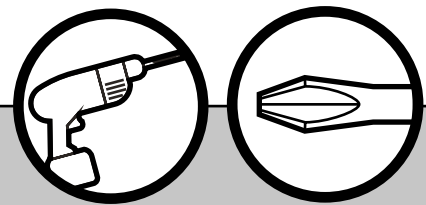
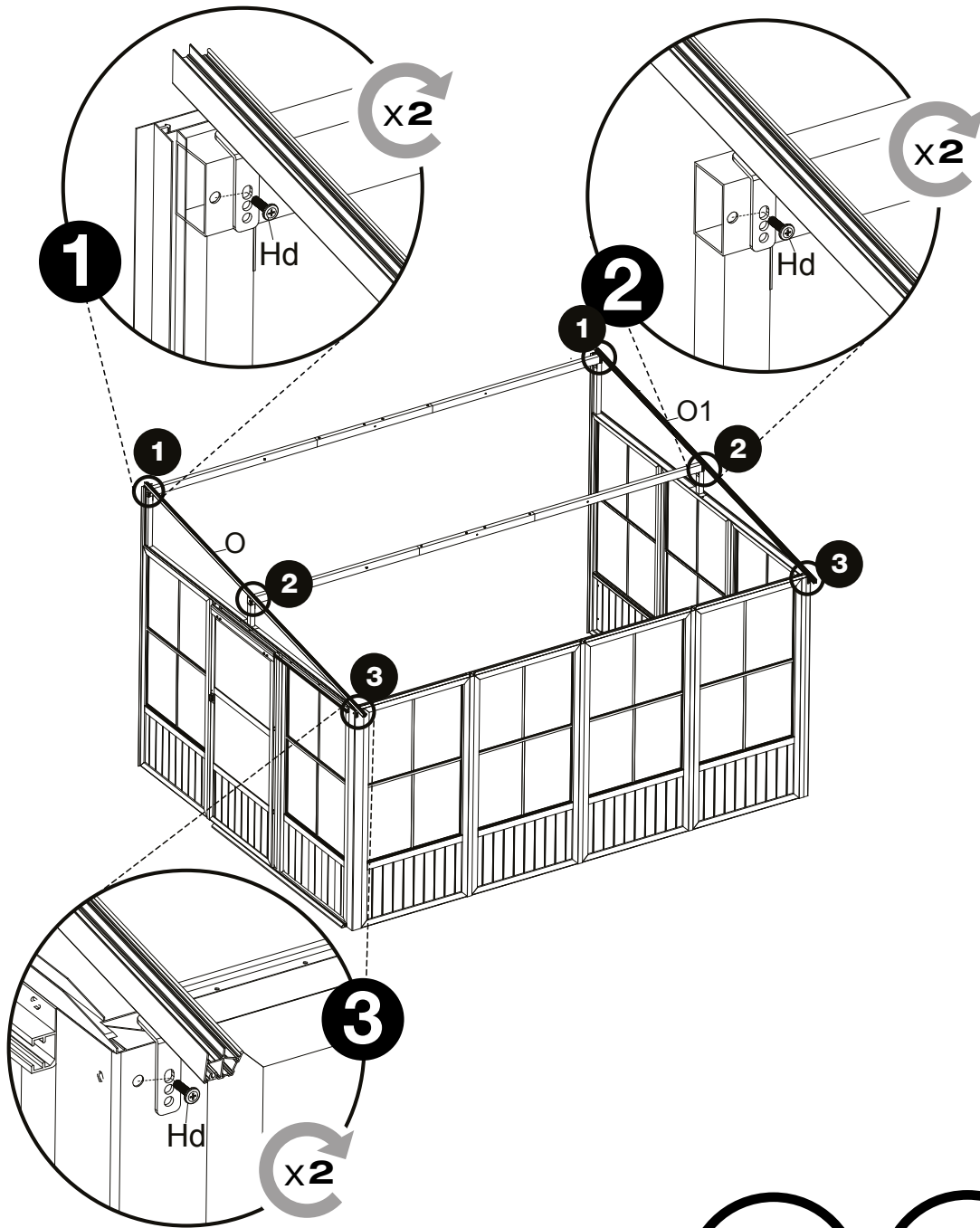




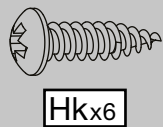
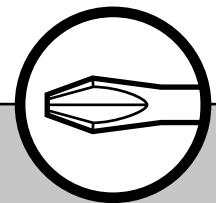
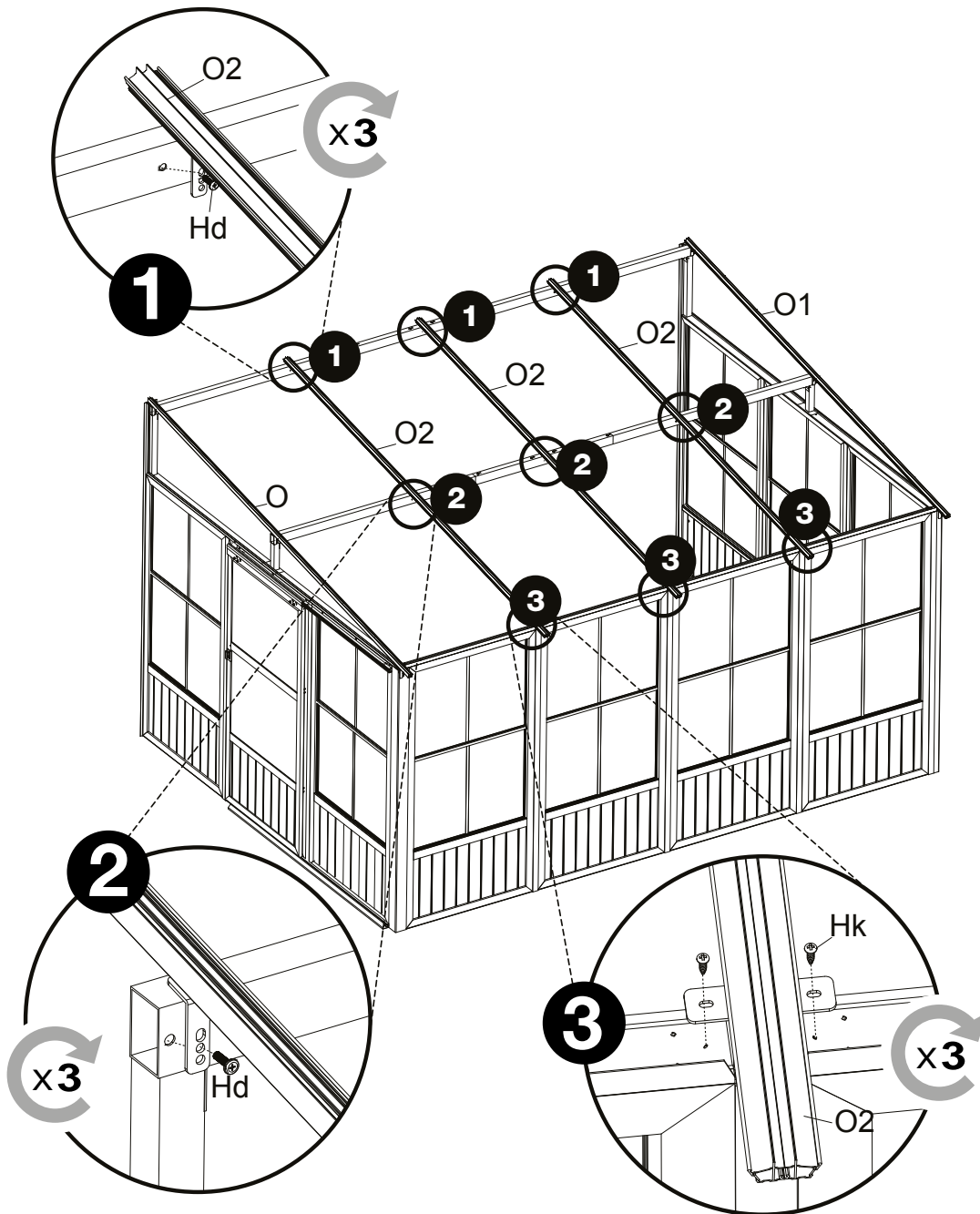


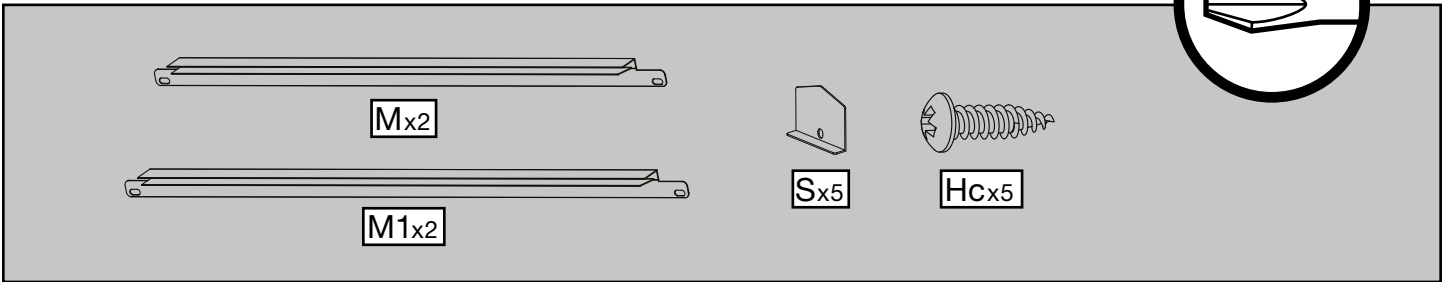
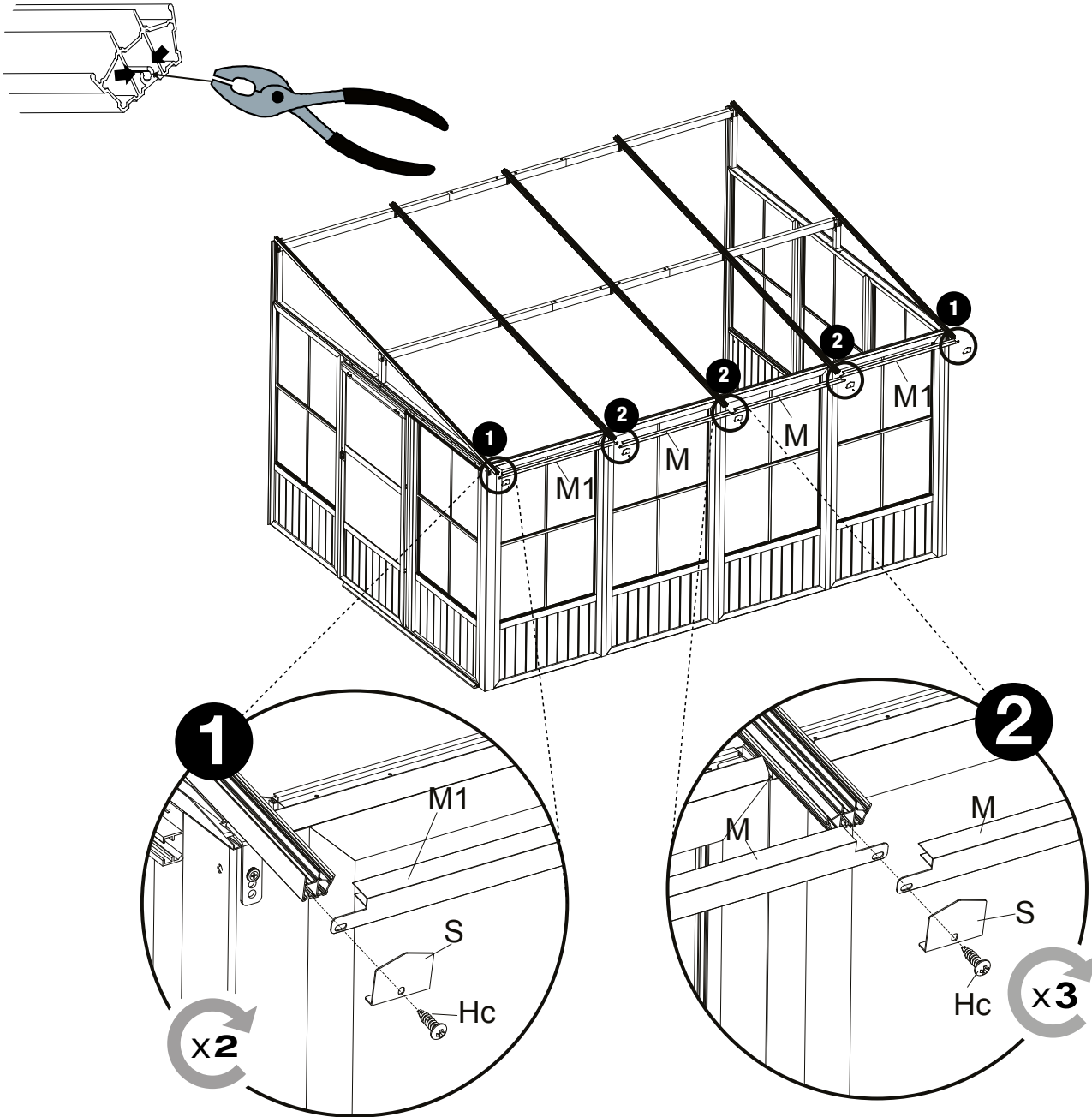


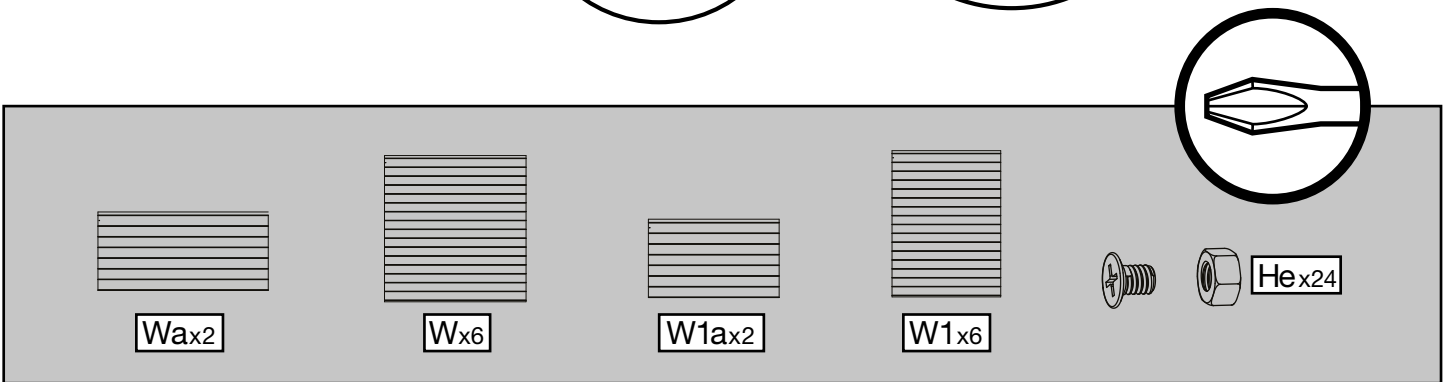
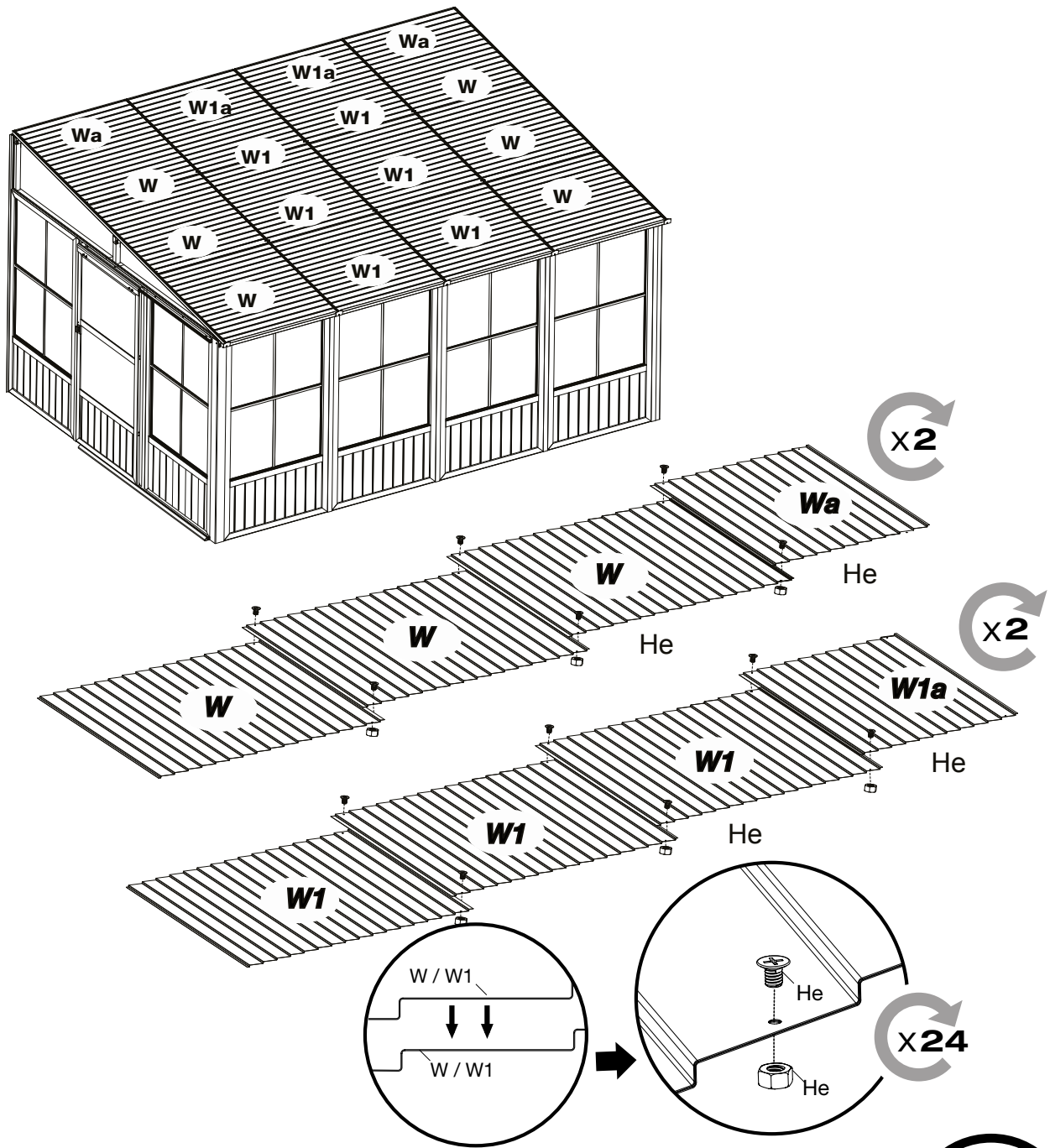


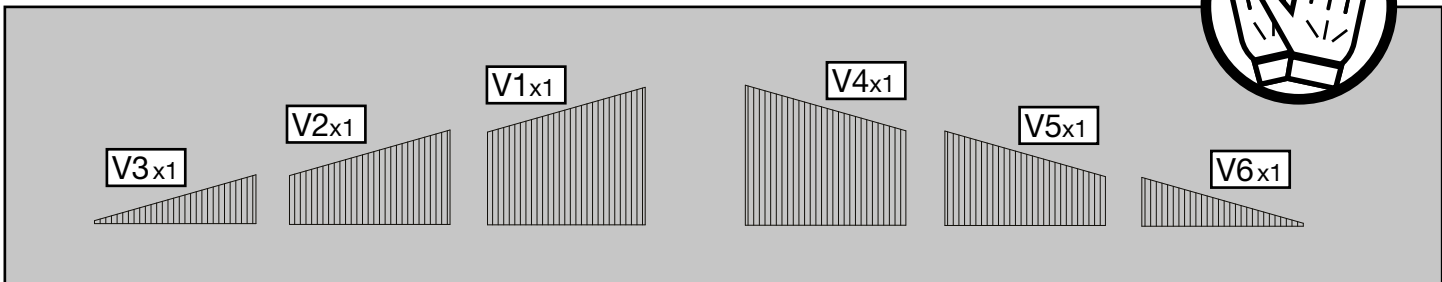
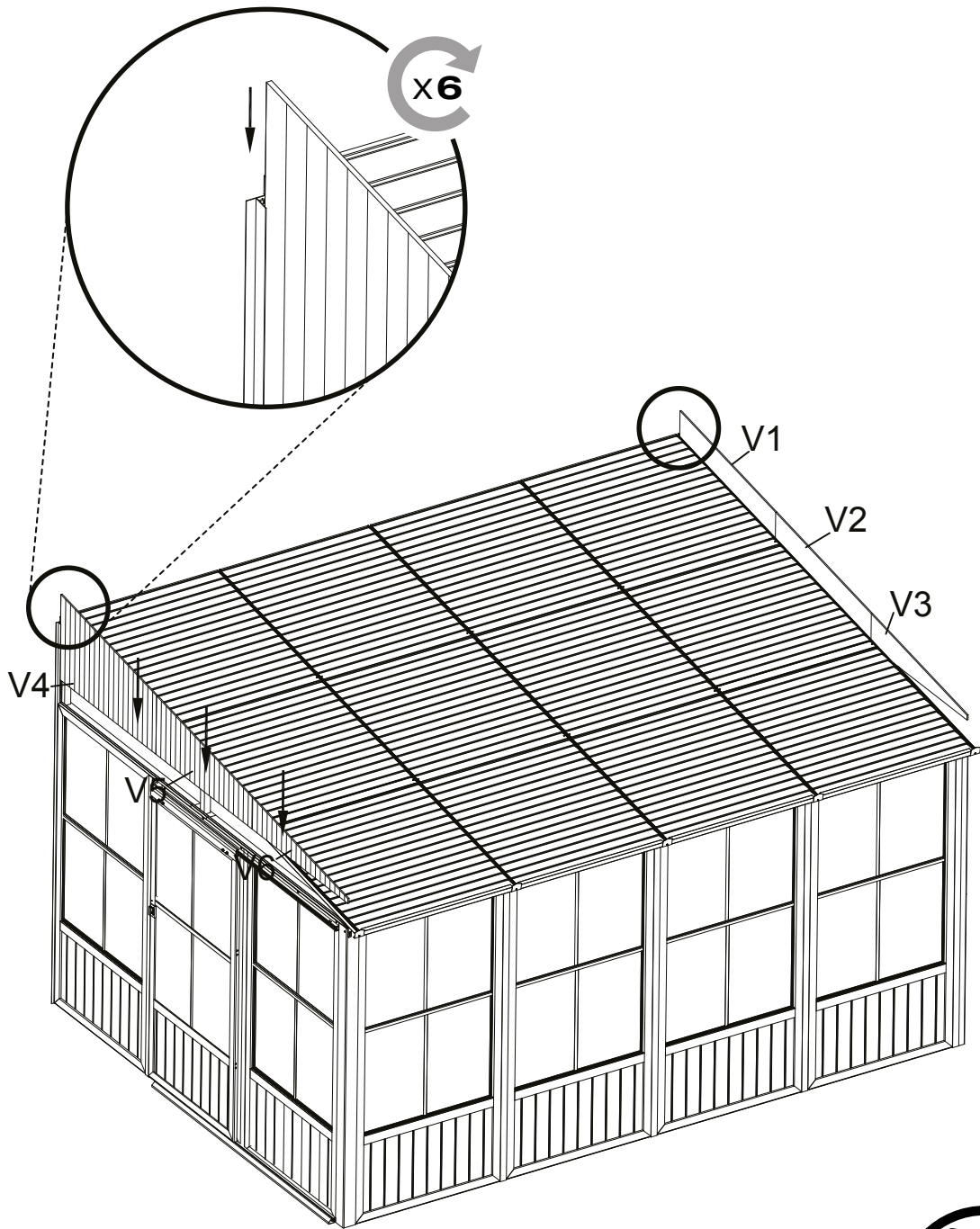


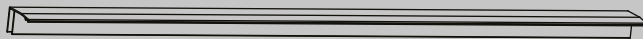
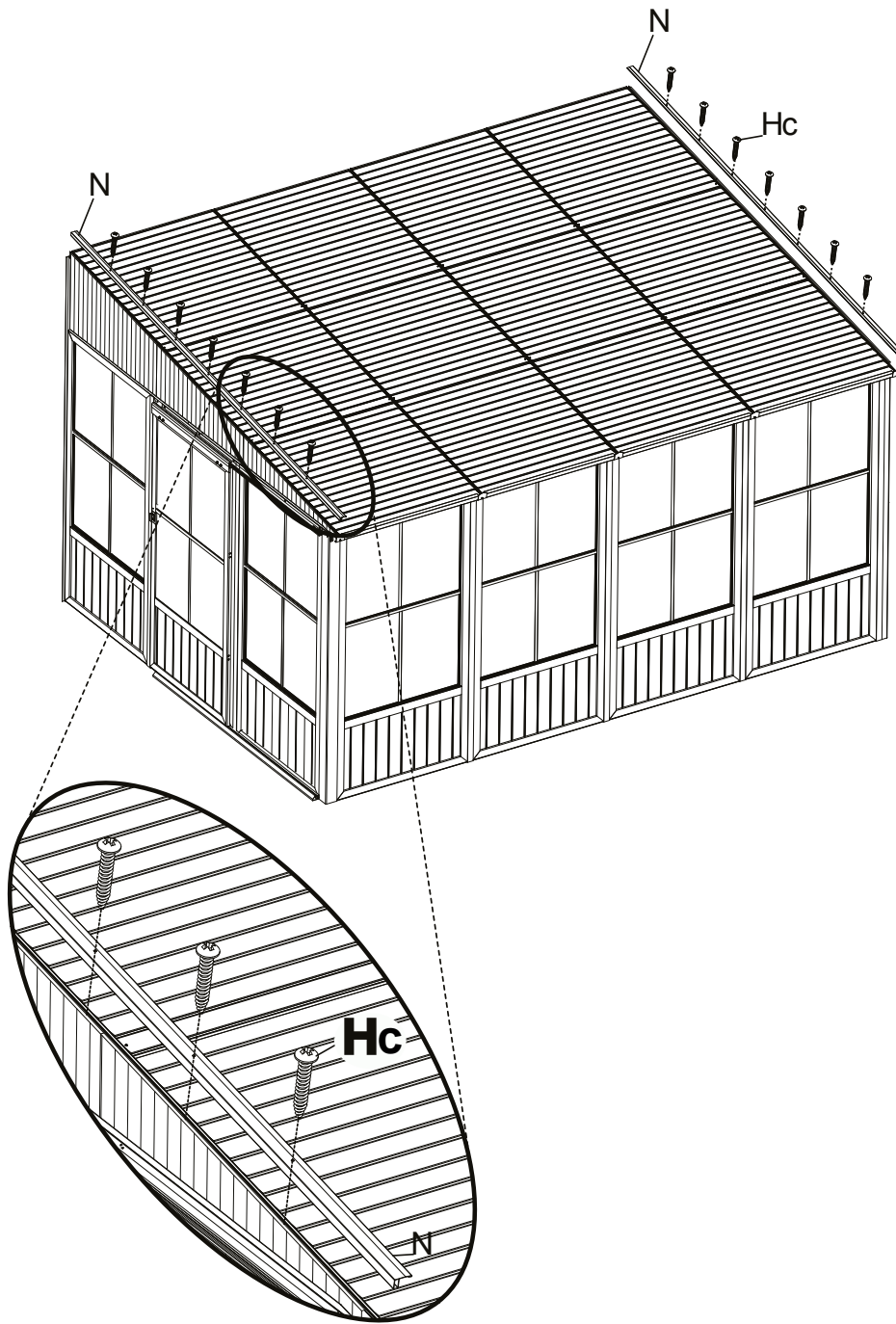
Hd x6



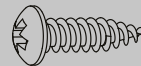




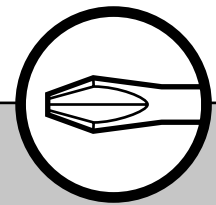


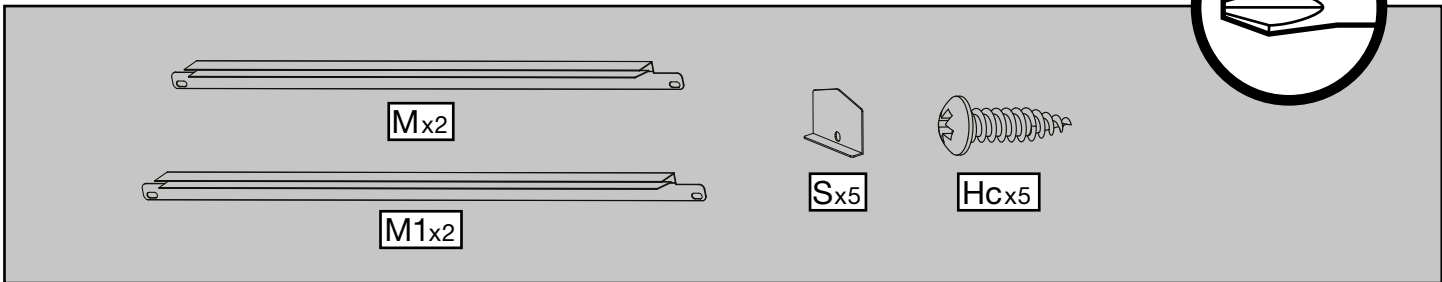
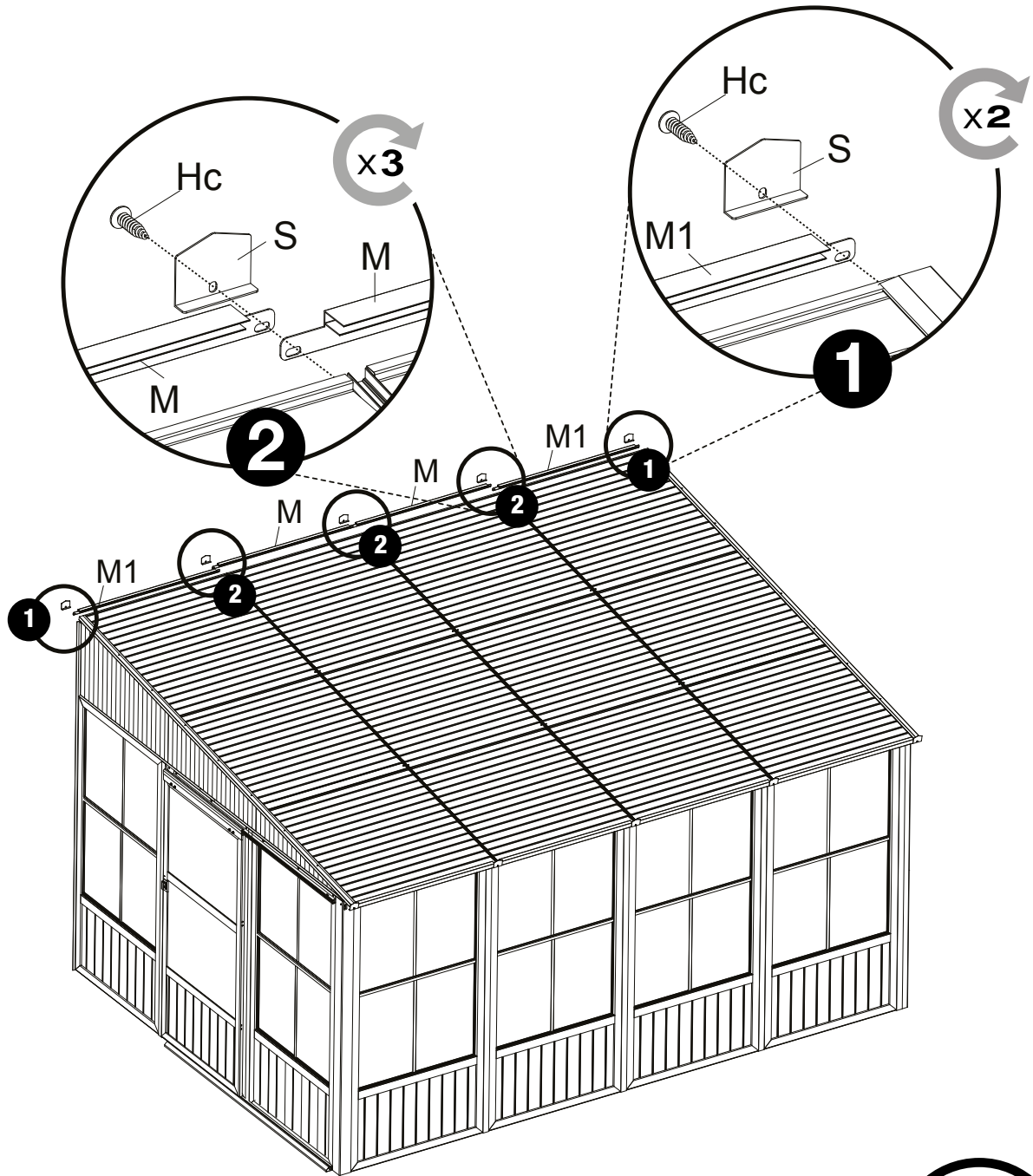


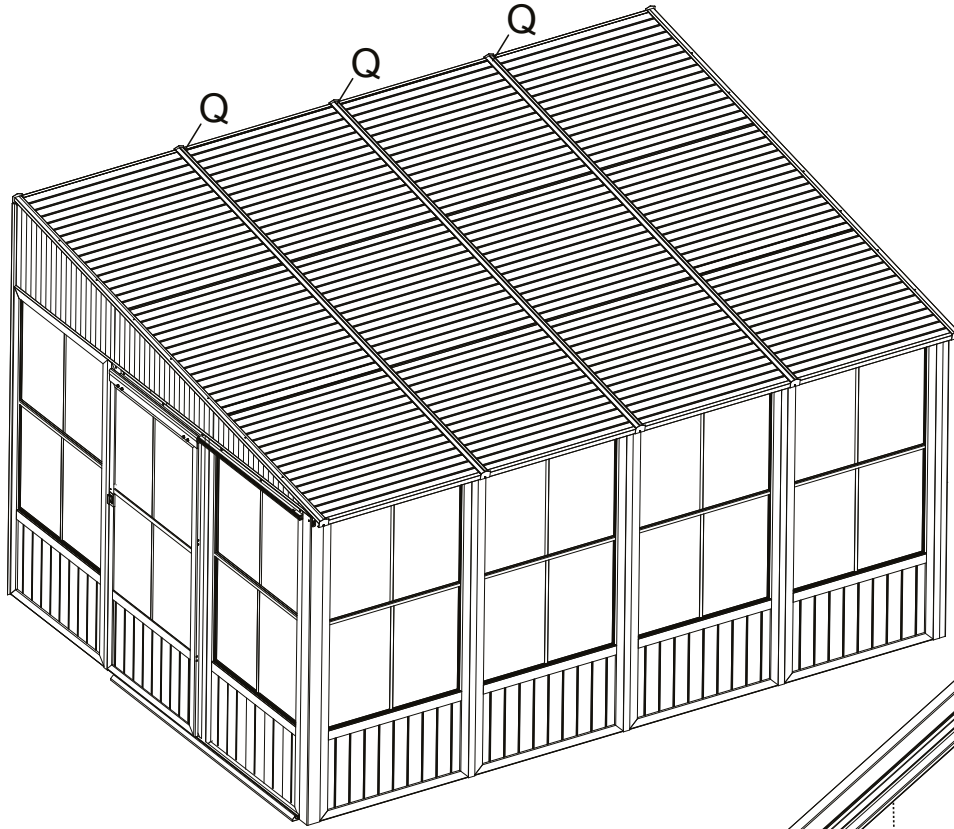
Nx2



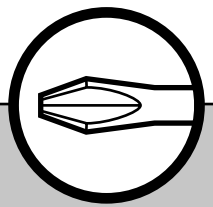
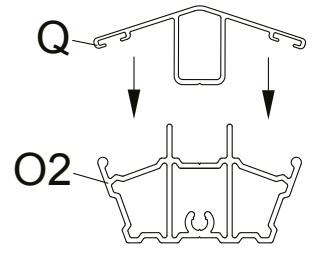
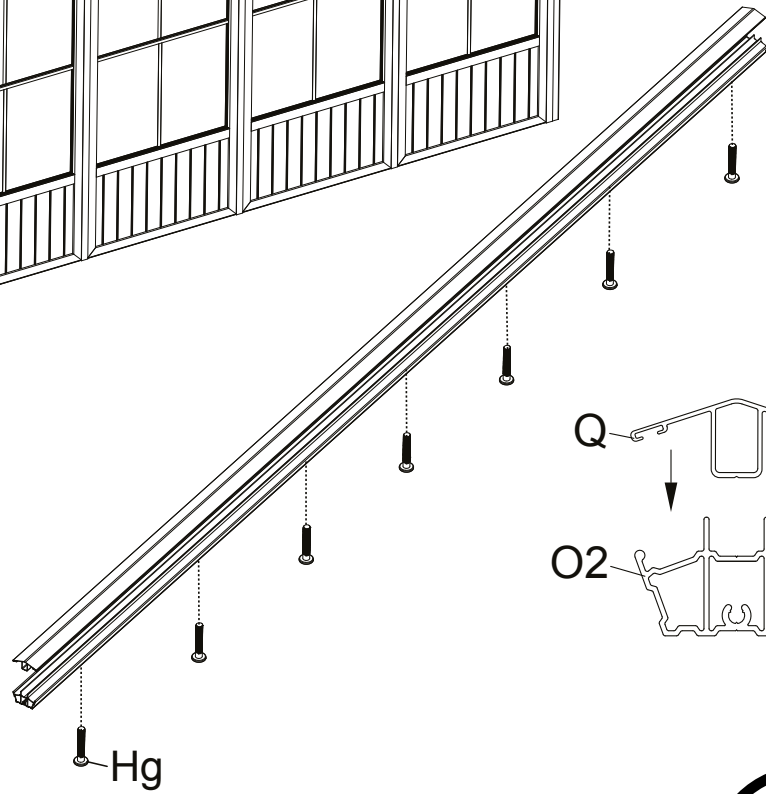
Hcx14



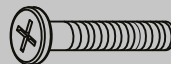




x3



Qx3



Hgx21

SOJAG ■ I
produits saisonniers • seasonal products