

Café™ 30" Slide-In Front Control Induction and Convection Range

CHS900M2NS5

CAFÉ

DISTINCT BY DESIGN™



FEATURES & BENEFITS

Gourmet results without any guesswork - Take culinary skills to the next level with Gourmet Guided Cooking, which combines video-guided recipes from chefs with a system that automatically adjusts the time, temperature and cooking pace for perfect results

Precision is the name of your cooking game - Confidently try new recipes and perfectly execute your favorites, using a smart system that automatically tracks progress, modifies temperatures and adjusts cook times

A touch of brilliance - Easily navigate oven settings using a stunning full color display that adds an unexpected touch of style to your kitchen

Design that pushes boundaries - Extraordinary design meets outstanding functionality thanks to a push-to-open storage drawer that eliminates the need for an additional handle on your range's façade, creating a unique, sleek aesthetic in your kitchen

The perfect combination of power & precision - Stun guests by showing off your 11" 3,700-watt induction element, which uses chef-preferred induction cooktop technology to deliver precise heat to cookware only. That means you can do everything from boiling a quart of water in 101 seconds to melting butter at exact temperatures with amazing efficiency.

Precise control for flawless results - Delight guests with the precision of sous vide cooking or perfectly prepared fondues and delicate sauces using a precision cooking probe that is sold separately.

Ensure consistent temperatures across a large area - Evenly heat large griddles or enamel cookware across two 8" synchronized elements

Allow your appliances to interact with one another - Create a chef-like experience with Chef Connect, which can synchronize your appliance clocks and surface lights and vent when a range burner is in use, and even your microwave and range clocks

WIFI-ENABLED FEATURES

Built-In WiFi, Powered by SmartHQ App - Manage all aspects of your kitchen with the help of the SmartHQ™ App or your voice assistant

Personalized Features + Upgrades - Usher in the latest features by downloading cooking upgrades right to your oven, putting Air Fry and more in your repertoire

No-Preheat Air Fry - Cook healthier, crispier versions of your favorite foods in less time, thanks to an air fryer right in your oven that doesn't require preheating, a basket or a special tray

FEATURES

| | |
|--------------------------------------|--|
| Configuration | Range with Storage Drawer |
| Cooking System | True European Convection with Precise Air |
| Cooking Technology | Convection |
| Oven Cleaning Type | Self-Clean with Steam Clean Option |
| Cooktop Burner Type | Induction |
| Cooktop Surface | Edge-to-Edge, Black Patterned Ceramic Glass |
| Control Location | Front controls |
| Control Type | LCD - Touch |
| WiFi Enabled Features | No-Preheat Air Fry Voice Assistants (Google and Alexa) Scan-to-Cook Remote Control Remote Notifications Clock Sync |
| Oven Control Features | Audible Preheat Signal Auto Oven Shut-Off with Override Auto Recipe Conversion Auto Self Clean; C° or F° Programmable Certified Sabbath Mode Chef Connect Control Lock Capability Delay Bake Option (Time Bake) Delay Clean Option Electronic Clock & Kitchen Timer Fast Preheat Hi / Low Broil Oven "ON" Light Self-Clean Cool Down Time Display Steam Clean Temperature Probe |
| Oven Cooking Modes | Convection Bake Convection Roast Proof Warm |
| Oven Features | 8-Pass Broil Element, Hidden Bake |
| Self-Clean Oven Door Lock | Automatic |
| Oven Rack Features | 1 Self-Clean Heavy-Duty Roller Rack 2 Self-Clean Heavy-Duty Oven Racks 6 Rack Positions |
| Oven Interior | Black, 1 Incandescent |
| Connected Capabilities | Amazon Alexa The Google Assistant Hestan Cue IFTTT Nest Drop Innit DiGiorno |
| WiFi Connect | Built-In |
| Element - Left Front | 8" 2500W Sync Element |
| Element - Left Rear | 8" 2500W Sync Element |
| Element - Right Front | 11" 3700W Power Boil |
| Element - Right Rear | 6" 1800W |
| Element - Center | 6" 100W Warming Zone |
| Hot Surface Indicator Lights | 1 |
| Heating Element "ON" Indicator Light | 5 |
| Melt Setting | Yes |

APPEARANCE

| | |
|----------------------------|---|
| Installation | Flush Appearance, Free-standing cut-out |
| Oven Door Features | Big View Oven Window, Easy clean edge to edge glass oven door |
| Handle | Café Minimal |
| Handle Color | Stainless Steel |
| Textured Steel Side Panels | Yes |

Café™ 30" Slide-In Front Control Induction and Convection Range

CHS900M2NS5

CAFÉ

DISTINCT BY DESIGN™

CAPACITY

| | |
|-----------------------------|-----------|
| Total Capacity (cubic feet) | 5.7 cu ft |
|-----------------------------|-----------|

ACCESSORIES

| | |
|------------------|-------------------------|
| Trim Kit | Optional, JXFILLR1BB |
| Cooktop Cleaning | Included; Cream; Sponge |
| Probe Accessory | JXPROBE1 - optional |

WEIGHTS & DIMENSIONS

| | |
|--|----------------------|
| Depth with Door Open | 47-1/2 in |
| Approximate Shipping Weight | 221 lb |
| Net Weight | 200 lb |
| Height to Top of Rear Vent Trim | 37-3/8 in |
| Overall Height | 37-3/8 in |
| Height to Cooking Surface (in.) | 36-1/4 +/- 1/4 |
| Overall Width | 29-7/8 in |
| Cabinet Width | 30 in |
| Overall Depth | 29-1/2 in |
| Depth Without Handle | 26-7/8 in |
| Oven Interior Dimensions (W x H x D) (in.) | 24 x 19-7/8 x 20-5/8 |

POWER / RATINGS

| | |
|--------------------|-------|
| Amp Rating at 208V | 40 |
| Amp Rating at 240V | 40 |
| Convection Wattage | 2500W |
| Bake Wattage | 2850W |
| Broiler Wattage | 4000W |
| KW Rating at 208V | 11.3 |
| KW Rating at 240V | 13.6 |

WARRANTY

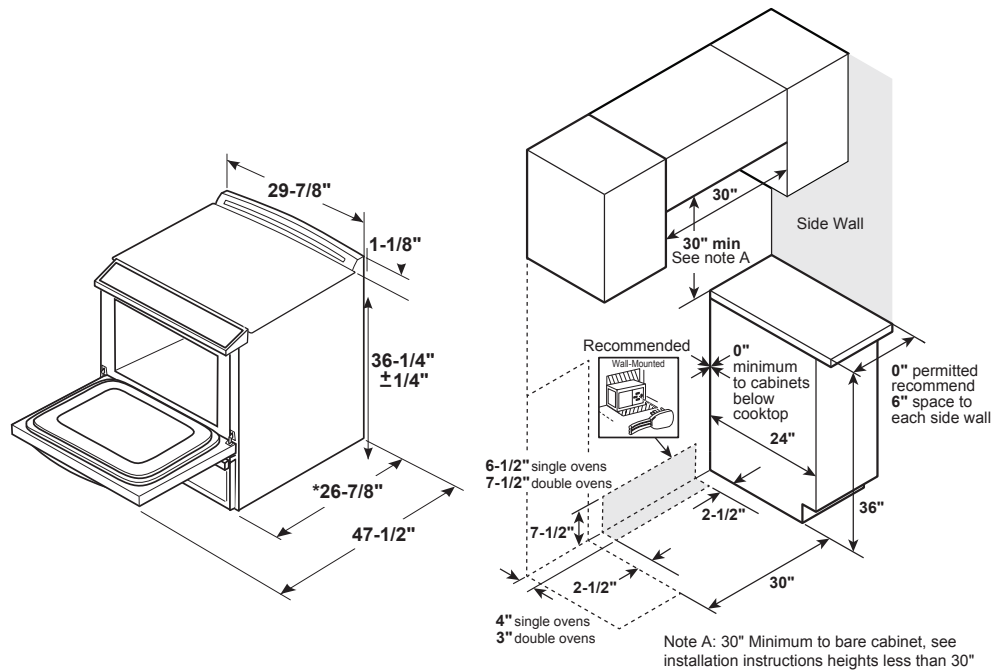
| | |
|----------------|--|
| Parts Warranty | Limited 1-year entire appliance 90 days post-install on cooktop glass |
| Labor Warranty | Limited 1-year entire appliance |
| Warranty Notes | See written warranty for full details |

DIMENSIONS

Receptacle Locations: Locally approved flexible service cord or conduit must be used because terminals are not accessible after range installation. See shaded area in drawing for location of electrical outlet box. Recommended outlet locations allow range to be installed directly against rear wall.

Note: This appliance has been approved for 0" spacing to adjacent surfaces above the cooktop. However, a 6" minimum spacing to surfaces less than 15" above the cooktop and adjacent cabinet is recommended to reduce exposure to steam, grease splatter and heat.

Installation Information: Before installing, consult installation instructions for current dimensional data and additional requirements.



ADDITIONAL ACCESSORIES



CXFCHHKPMBZ
Brushed Bronze
2 handles; 6 knobs
(standard on Matte White)



CXFCHHKPMSS
Brushed Stainless
2 handles; 6 knobs
(standard on Matte Black)



CXFCHHKPMBT
Brushed Black
2 handles; 6 knobs



CXFCHHKPMCU
Brushed Copper
2 handles; 6 knobs



JXPROBE1
Probe Accessory