

# Café™ 30" Slide-In Front Control Induction and Convection Range with Warming Drawer

CHS900P4MW2 / CHS900P3MD1 / CHS900P2MS1

# CAFÉ

DISTINCT BY DESIGN™



ALSO AVAILABLE IN



CHS900P2MS1  
Stainless Steel with  
Brushed Stainless  
handles and knobs



CHS900P4MW2  
Matte White with  
Brushed Bronze  
handles and knobs



## FEATURES & BENEFITS

An attractive appearance at all times - Every detail of your kitchen is designed to delight, thanks to a sleek backlit glass touch control panel that visually disappears when not in use and wakes up when prompted

The perfect combination of power & precision - Stun guests by showing off your 11" 3,700-watt induction element, which uses chef-preferred induction cooktop technology to deliver precise heat to cookware only. That means you can do everything from boiling a quart of water in 101 seconds to melting butter at exact temperatures with amazing efficiency.

Ensure consistent temperatures across a large area - Evenly heat large griddles or enamel cookware across two 8" synchronized elements

Create a look that matches your personal style - Select any combination of premium finishes and hardware options to create a stunning look customized to any owner's taste

Allow your appliances to interact with one another - Create a chef-like experience with Chef Connect, which can synchronize your appliance clocks and surface lights and vent when a range burner is in use, and even your microwave and range clocks

## WIFI-ENABLED FEATURES

Built-In WiFi, Powered by SmartHQ App - Manage all aspects of your kitchen with the help of the SmartHQ™ App or your voice assistant

Personalized Features + Upgrades - Usher in the latest features by downloading cooking upgrades right to your oven, putting Air Fry and more in your repertoire

No-Preheat Air Fry - Cook healthier, crispier versions of your favorite foods in less time, thanks to an air fryer right in your oven that doesn't require preheating, a basket or a special tray

Gourmet results without any guesswork - Take culinary skills to the next level with Gourmet Guided Cooking, which combines video-guided recipes from chefs with a system that automatically adjusts the time, temperature and cooking pace for perfect results

Precise control for flawless results - Delight guests with the precision of sous vide cooking or perfectly prepared fondues and delicate sauces using a precision cooking probe that is sold separately

## APPEARANCE

Installation	Flush Appearance Free-standing cut-out
Oven Door Features	Big View Oven Window Full-Wrapped Metal Frame
Handle	Professional Style Customizable Consumer Removable

## FEATURES

Configuration	Range with Warming Drawer
Cooking System	True European Convection with Precise Air
Cooking Technology	Convection
Oven Cleaning Type	Self-Clean with Steam Clean Option
Cooktop Burner Type	Induction
Cooktop Surface	Edge-to-Edge Black Ceramic Glass
Control Location	Front controls
Control Type	White Backlit Glass Touch
WiFi Enabled Features	No-Preheat Air Fry Remote Control Remote Notifications Scan-to-Cook (Oven) Timers (App) Clock Sync Voice Assistants (Google and Alexa) Gourmet Guided Cooking Sous Vide
Oven Control Features	Audible Preheat Signal Auto Oven Shut-Off with Override Auto Recipe Conversion Auto Self Clean C° or F° Programmable Sabbath Mode Chef Connect Control Lock Capability Delay Bake Option (Time Bake) Delay Clean Option Electronic Clock & Kitchen Timer Fast Preheat Hi / Low Broil Oven "ON" Light Self-Clean Cool Down Time Display Steam Clean Temperature Probe
Oven Cooking Modes	Baked Goods Convection Bake Convection Roast Frozen Pizza Multi Rack Frozen Pizza Single Rack (No Preheat) Frozen Snacks Multi Rack Frozen Snacks Single Rack (No Preheat) Proof Warming 8-Pass Broil Element Hidden Bake
Self-Clean Oven Door Lock	Automatic
Oven Rack Features	1 Self-Clean Heavy-Duty Roller Rack 2 Self-Clean Heavy-Duty Oven Racks 6 Rack Positions
Oven Interior	Black 1 Incandescent
Connected Capabilities	Amazon Alexa The Google Assistant Hestan Cue IFTTT Nest Drop Innit DiGiorno
Element - Left Front	8" 2500W Sync Element
Element - Left Rear	8" 2500W Sync Element
Element - Right Front	11" 3700W Power Boil
Element - Right Rear	6" 1800W
Element - Center	6" 100W Warming Zone
Hot Surface Indicator Lights	1
Heating Element "ON" Indicator Light	5
Warming Drawer Features	(3) levels

## CAPACITY

Total Capacity (cubic feet)	5.7 cu ft
-----------------------------	-----------

# Café™ 30" Slide-In Front Control Induction and Convection Range with Warming Drawer

# CAFÉ

DISTINCT BY DESIGN™

CHS900P4MW2 / CHS900P3MD1 / CHS900P2MS1

## ACCESSORIES

Trim Kit	Optional JXFILLR1BB
Cooktop Cleaning	Included Cream Sponge
Probe Accessory	Optional JXPROBE1

## POWER / RATINGS

Amp Rating at 208V	40
Amp Rating at 240V	40
Convection Wattage	2500W
Bake Wattage	2850W
Broiler Wattage	4000W
KW Rating at 208V	11.3
KW Rating at 240V	13.6

## WEIGHTS & DIMENSIONS

Depth with Door Open	47-1/2 in
Approximate Shipping Weight	256 lb
Net Weight	236 lb
Height to Top of Rear Vent Trim	37-3/8 in
Overall Height	37-3/8 in
Height to Cooking Surface (in.)	36-1/4 +/- 1/4
Overall Width	29-7/8 in
Cabinet Width	30 in
Overall Depth	29-1/2 in
Depth Without Handle	26-7/8 in
Oven Interior Dimensions (W x H x D) (in.)	24 x 19-7/8 x 20-5/8

## WARRANTY

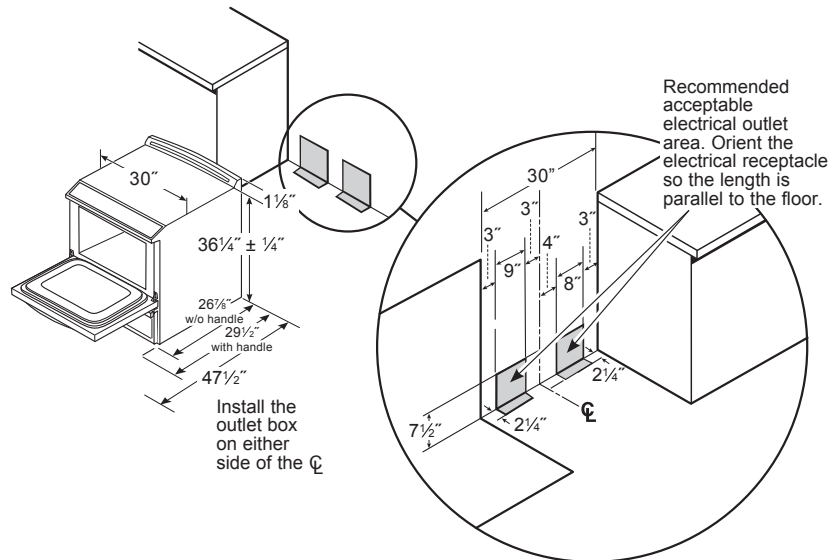
Parts warranty	Limited 1-year entire appliance 90 days post-install on cooktop glass
Labor warranty	Limited 1-year entire appliance
Warranty notes	See written warranty for full details

## DIMENSIONS

**Receptacle Locations:** Locally approved flexible service cord or conduit must be used because terminals are not accessible after range installation. See shaded area in drawing for location of electrical outlet box. Recommended outlet locations allow range to be installed directly against rear wall.

**Note:** This appliance has been approved for 0" spacing to adjacent surfaces above the cooktop. However, a 6" minimum spacing to surfaces less than 15" above the cooktop and adjacent cabinet is recommended to reduce exposure to steam, grease splatter and heat.

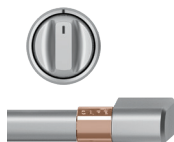
**Installation Information:** Before installing, consult installation instructions for current dimensional data and additional requirements.



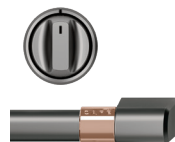
## ADDITIONAL ACCESSORIES



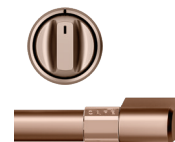
CXFCHHKPMBZ  
Brushed Bronze  
2 handles  
6 knobs



CXFCHHKPMSS  
Brushed Stainless  
2 handles  
6 knobs



CXFCHHKPMBT  
Brushed Black  
2 handles  
6 knobs



CXFCHHKPMCU  
Brushed Copper  
2 handles  
6 knobs



JXPROBE1  
Probe Accessory