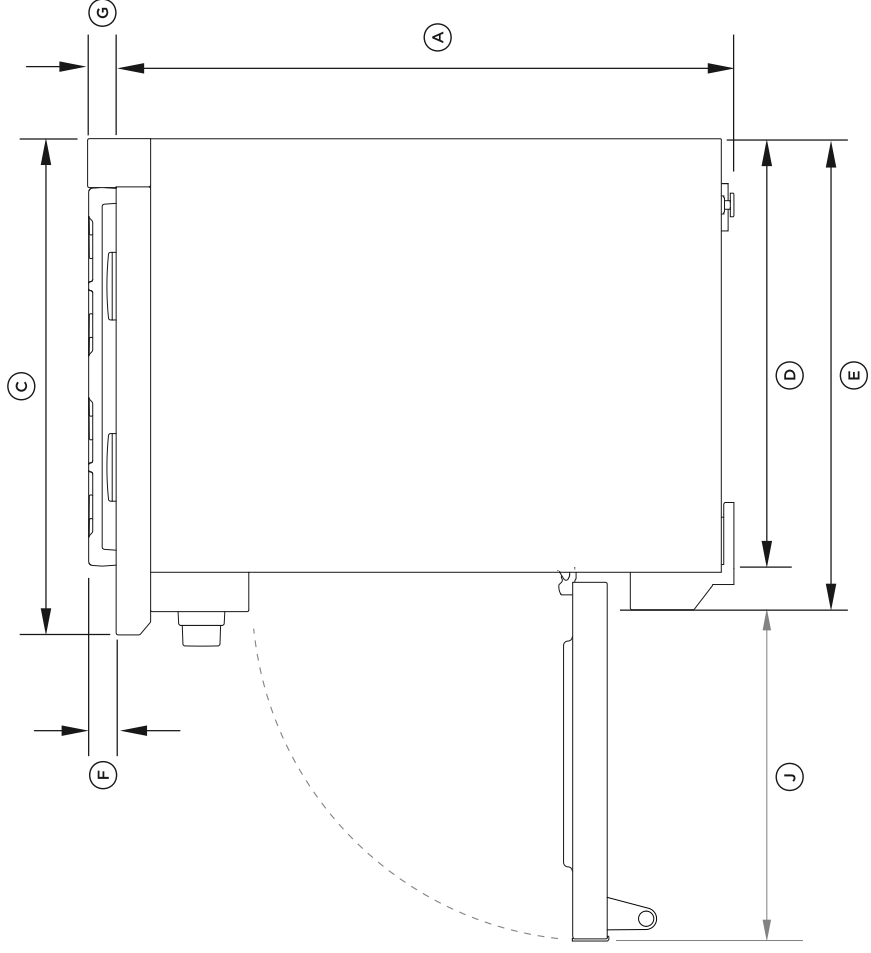




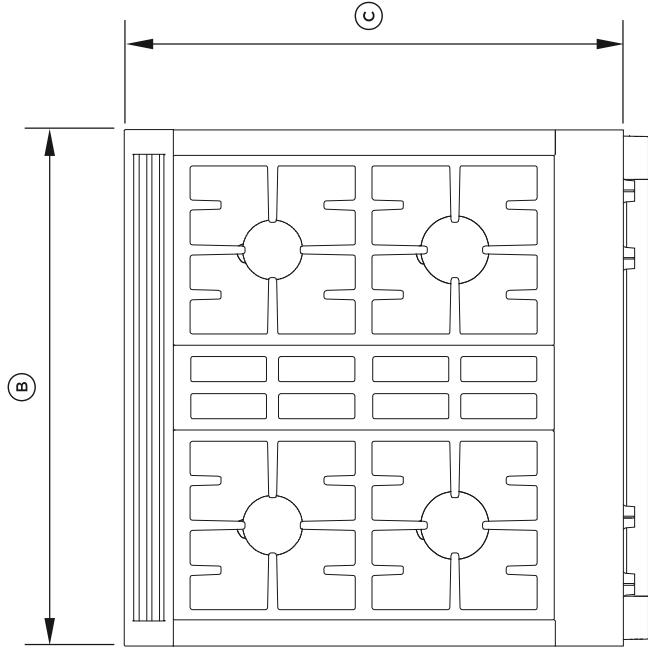
Modèle Sélectionné	
Numéro de modèle	RIV3-304
Apparence extérieure	
Couleur	Acier inoxydable
Capacité	
Capacité du four	4 pi.cu
Caractéristiques	
Cavité à déversement	Cavité à déversement en porcelaine émaillé
Caractéristiques de la surface de cuisson	
Type d'énergie	Induction
Configuration	4 zones de cuisson
Caractéristiques du four	
Technologie de cuisson	Electrique Convection
Puissance de la convection	Système de détection des casseroles
Type de nettoyage de cavité	2500W
Type de contrôle	Pyrolyse (autonettoyant)
Mode de cuisson	Boutons en titane plaqué avec halos lumineux et écran haute résolution
Grilles de four	9
Élément de cuisson du four	2 grilles télescopique à extension complètes
Element Gril	3500W
Positions des grilles	4000W
Performance des zones	5
Avant gauche	1400W
Arrière gauche	2600W
Avant droite	2100W
Arrière droite	2100W
Dimensions extérieures	
Hauteur (po.)	35 3/4" - 36 3/4"
Largeur (po.)	29 7/8"
Profondeur (po.)	29 1/8"
Conditions électriques	
Volts; Hertz; Amps	120V/240V; 60Hz; 50 Amp
Accessoires (Optionnels)	
Dosseret optionnels	BGRV3-3030H (Bi-énergie, paroi combustible PRO 30" x 30" (RDV3-RIV3-RGV3)
Poignée Pro carrée	AH-R30 (Pro Inox 30" (1))
Garantie	
Garantie complète de 2 ans	Appareil complet: pièces et main d'oeuvre; à domicile

PRODUCT DIMENSIONS - 30" MODELS



FRONT

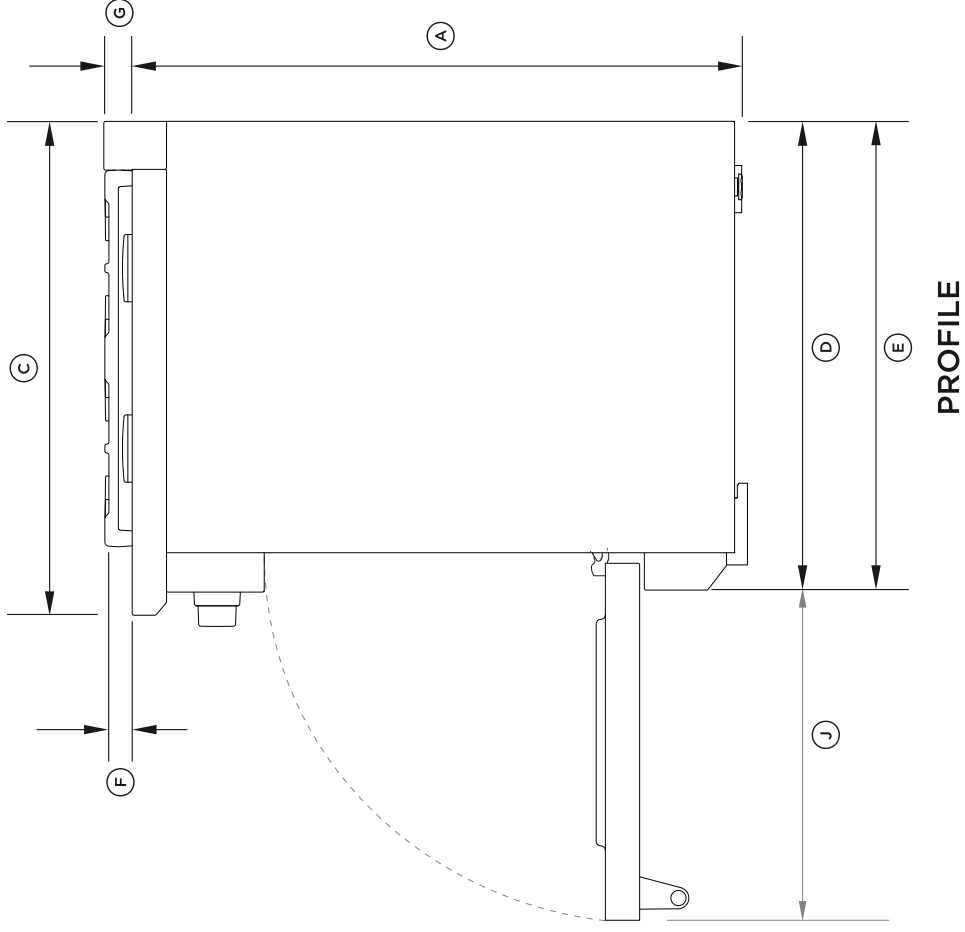
PROFILE



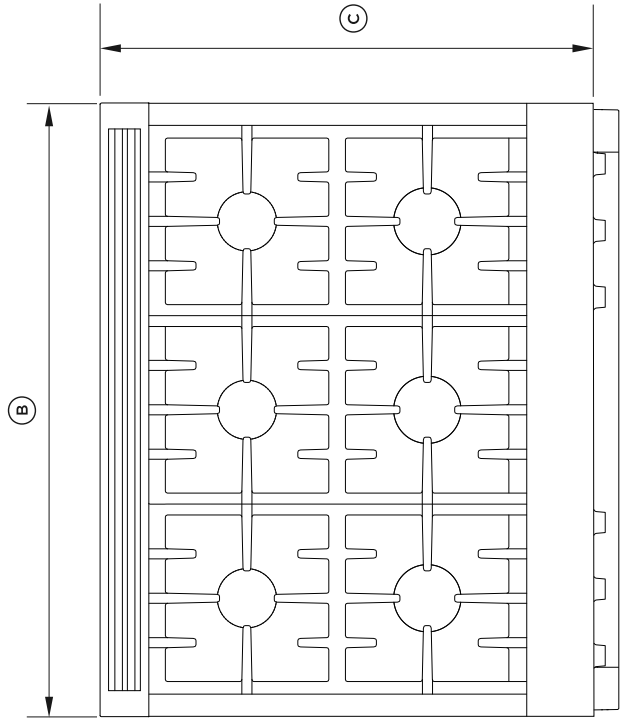
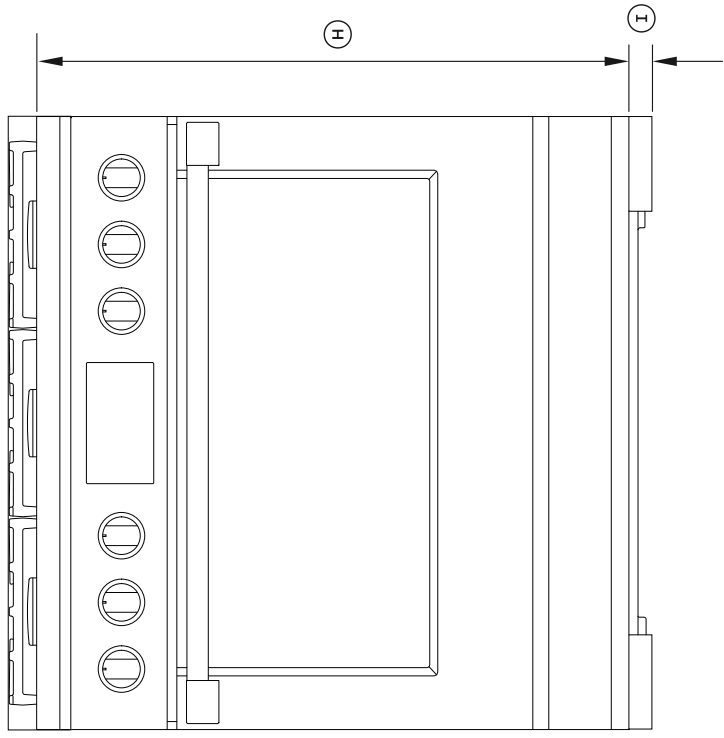
PLAN

PRODUCT DIMENSIONS	30" MODELS	
	IN	MM
Ⓐ Overall height of range (from floor to cook surface, excl. pan supports and vent trim)	min 35 3/4 max 36 3/4	min 908 max 933
Ⓑ Overall width of range	29 7/8	759
Ⓒ Overall depth of range (excl. handle and dials)	29 1/8	740
Ⓓ Depth of chassis	25 3/8	644
Ⓔ Depth from rear of chassis to front of control panel	27 11/16	703
Ⓕ Height from top of cook surface to top of pan supports	1 9/16	40
Ⓖ Height from top of cook surface to top of • vent trim (as illustrated) • angled vent trim (if fitted)	1 3/4 3 1/2	45 90
Ⓗ Height from top of cook surface to bottom of chassis	35 1/4	895
Ⓘ Adjustable feet height	min 1/2 max 1 1/2	min 13 max 38
Ⓙ Depth of open door to front control panel	19 1/8	486

PRODUCT DIMENSIONS - 36" MODELS



PROFILE

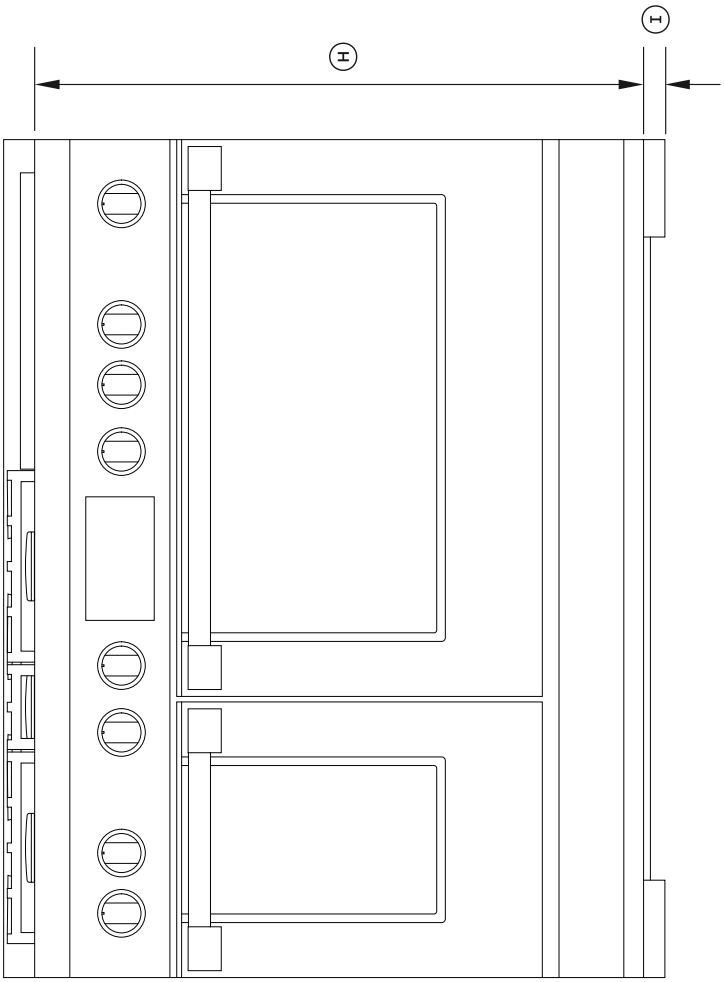


FRONT

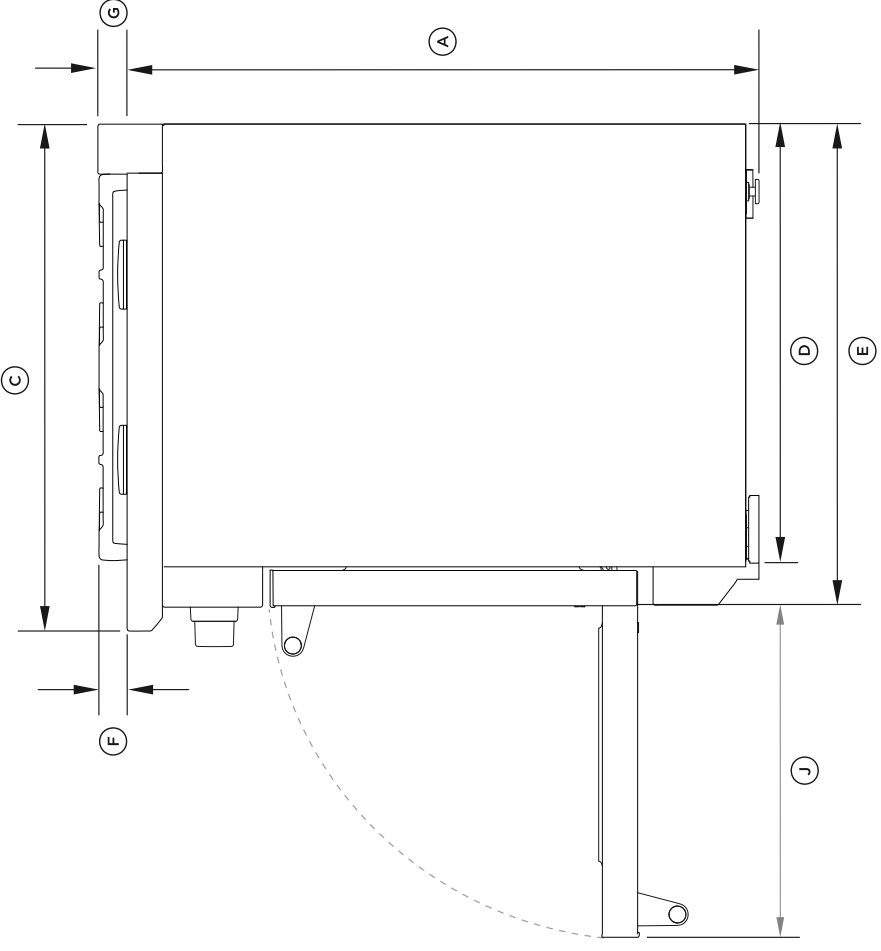
PLAN

PRODUCT DIMENSIONS	36" MODELS	
	IN	MM
(A) Overall height of range (from floor to cook surface, excl. pan supports and vent trim)	min 35 3/4 max 36 3/4	min 908 max 933
(B) Overall width of range	35 7/8	911
(C) Overall depth of range (excl. handle and dials)	29 1/8	740
(D) Depth of chassis	25 3/8	644
(E) Depth from rear of chassis to front of control panel	27 11/16	703
(F) Height from top of cook surface to top of pan supports	1 9/16	40
(G) Height from top of cook surface to top of • vent trim (as illustrated) • angled vent trim (if fitted)	1 3/4 3 1/2	45 90
(H) Height from top of cook surface to bottom of chassis	35 1/4	895
(I) Adjustable feet height	min 1/2 max 1 1/2	min 13 max 38
(J) Depth of open door to front control panel	19 1/8	486

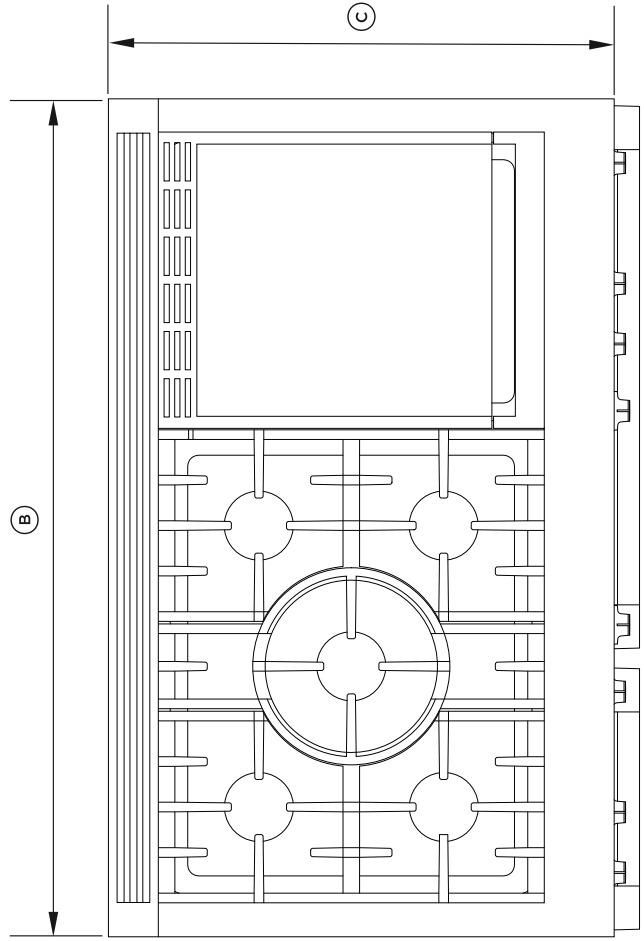
PRODUCT DIMENSIONS - 48" MODELS



FRONT



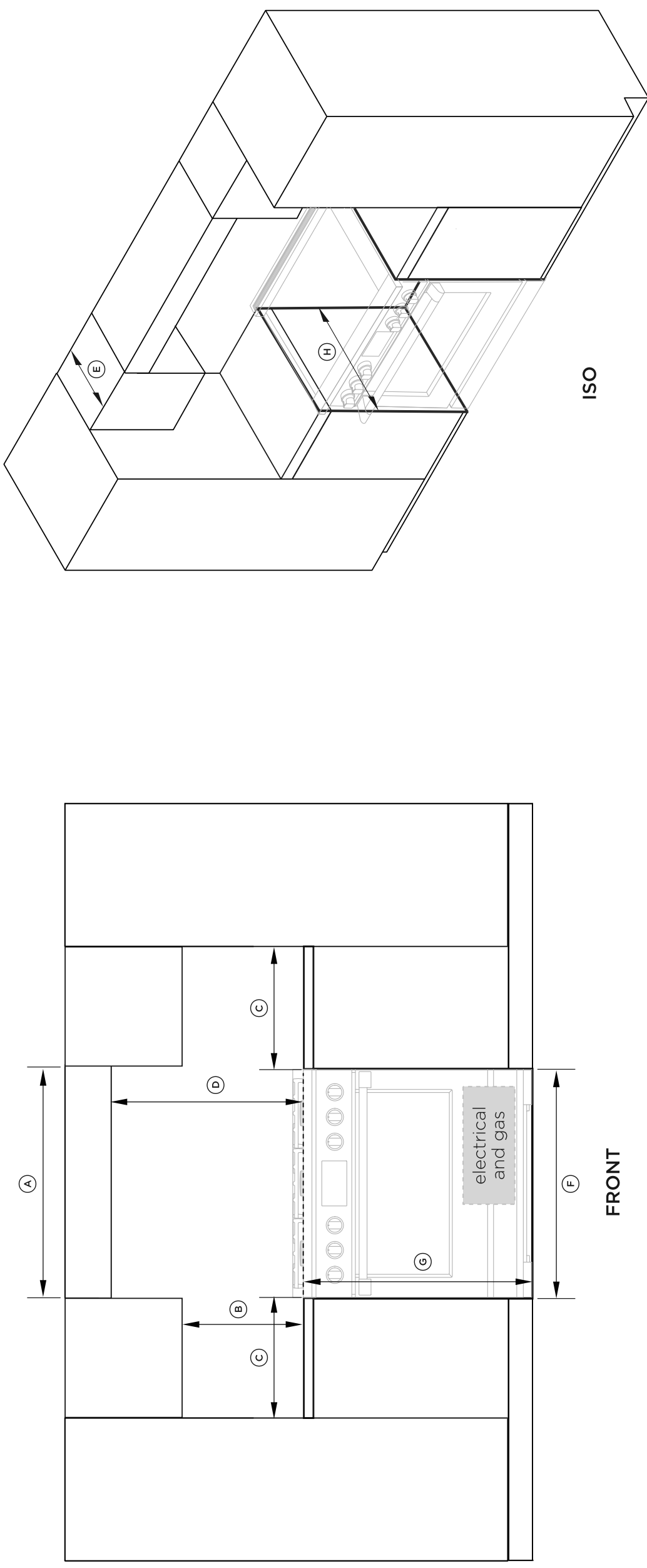
PROFILE



PLAN

PRODUCT DIMENSIONS	48" MODELS	
	IN	MM
Ⓐ Overall height of range (from floor to cook surface, excl. pan supports and vent trim)	min 35 3/4 max 36 3/4	min 908 max 933
Ⓑ Overall width of range	47 7/8	1216
Ⓒ Overall depth of range (excl. handle and dials)	29 1/8	740
Ⓓ Depth of chassis	25 3/8	644
Ⓔ Depth from rear of chassis to front of control panel	27 11/16	703
Ⓕ Height from top of cook surface to top of pan supports	1 9/16	40
Ⓖ Height from top of cook surface to top of • vent trim (as illustrated) • angled vent trim (if fitted)	1 3/4 3 1/2	45 90
Ⓗ Height from top of cook surface to bottom of chassis	35 1/4	895
Ⓘ Adjustable feet height	min 1/2 max 1 1/2	min 13 max 38
⓵ Depth of open door to front control panel	19 1/8	486

CLEARANCE DIMENSIONS - ALL MODELS



	30" MODELS		36" MODELS		48" MODELS	
	IN	MM	IN	MM	IN	MM
(A) Minimum width of ventilation hood installed above range	30	762	36	914	48	1219
(B) Minimum vertical distance between countertop and cabinet extending above counter	18	457	18	457	18	457
(C) Minimum clearance from left and right edge of range to nearest vertical combustible surface	12	305	12	305	12	305
(D) Minimum clearance from cook surface to:						
• combustible surface centered above the cook surface	54	1372	54	1372	54	1372
• combustible covering for ventilation hood centered above the cook surface	36	914	36	914	36	914
• non-combustible surface* centered above the cook surface	30	762	30	762	30	762
(E) Maximum overall depth of overhead cabinetry	13	330	13	330	13	330
(F) Width of cabinetry opening	30	762	36	914	48	1219
(G) Maximum height from floor to countertop:						
- for level counter	35 3/4	908	35 3/4	908	35 3/4	908
- with range levelling legs fully extended	36 3/4	933	36 3/4	933	36 3/4	933
(H) Maximum depth from wall to cabinetry face:						
• projecting control panel	25 1/8	638	25 1/8	638	25 1/8	638
• flush control panel	27 11/16	703	27 11/16	703	27 11/16	703

- Note:**
- The cooking surface must sit flush or above the adjacent countertop level.
 - If the range is to be placed adjacent to cabinets, the clearances shown are required. The same clearances apply to island installations.
 - The range can be placed in various positions with respect to the cabinet front, with the control panel either flush or projecting, depending on the cabinetry depth.
 - The electrical and gas supply should be within the zones shown in the following diagrams
 - Any openings in the wall behind the range and in the floor under the range must be sealed.
 - Always keep the appliance area clear and free from combustible materials, gasoline and other flammable vapors and liquids.
 - Do not obstruct the flow of combustion and ventilation air to the unit.

*Non-combustible surfaces: as defined in 'National Fuel Gas Code' (ANSI Z223.1, Current Edition). Clearances from non-combustible materials are not part of the ANSI Z21.1 scope and are not certified by UL. Clearances of less than 6" (152mm) must be approved by the local codes and/or by the local authority having jurisdiction.