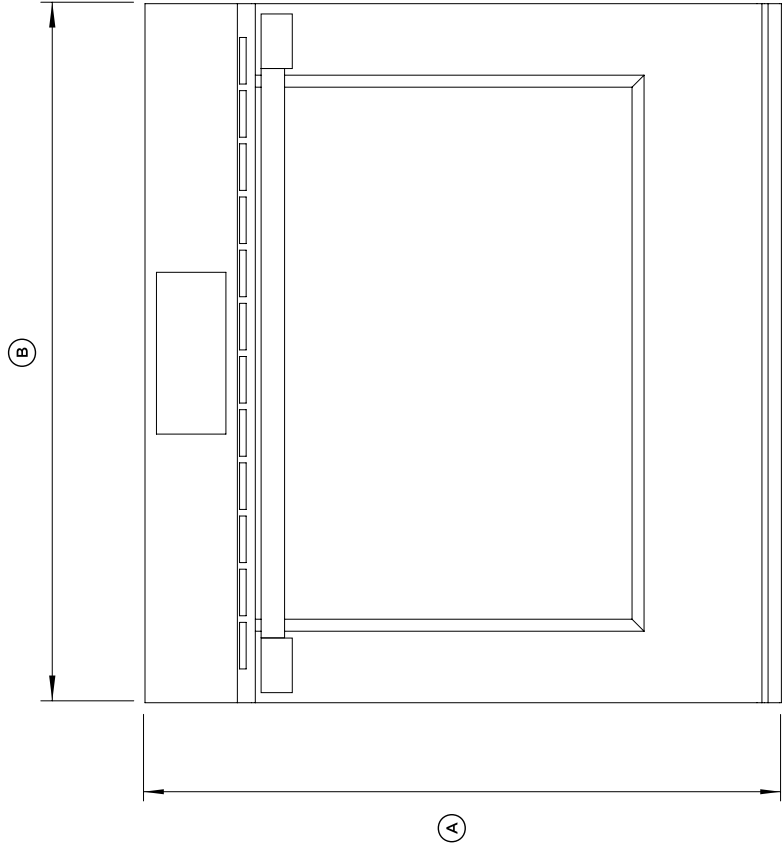


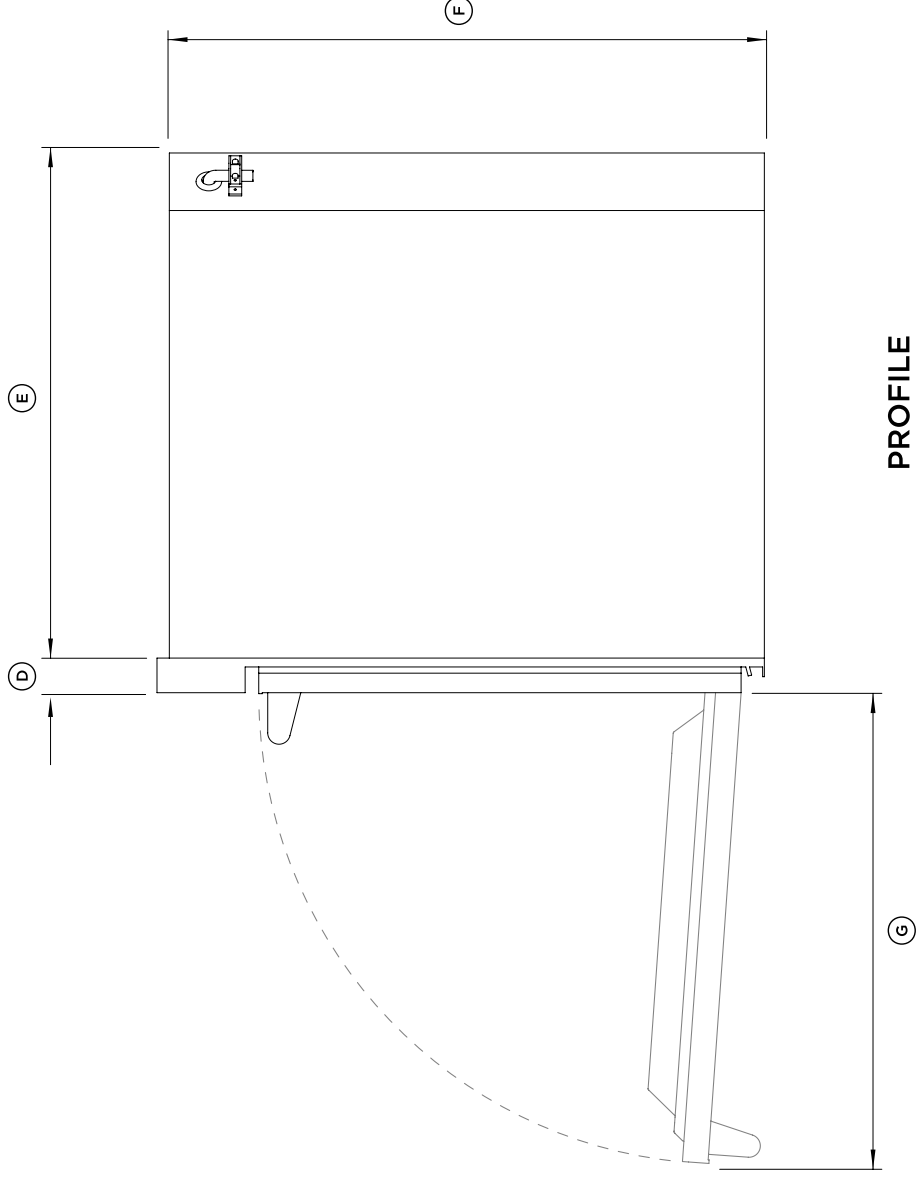


<b>Selected Model</b>	
Model number	OB30DPPTX1
<b>New Product</b>	
Available	August 2020
<b>Exterior Appearance</b>	
Color	Stainless steel with glass window
Design Style	Contemporary
<b>Dimensions</b>	
Overall Height (in.)	48 7/16"
Overall Width (in.)	29 29/32"
Depth (in.)	23 29/32"
<b>Features</b>	
Configuration	Double Oven
Cooking Technology	Convection
Cooking System	Aerotech convection™
Cleaning Type (Oven)	Self-Cleaning
Control Type	Electronic touchscreen Display
Oven Rack Features	5 Telescopic sliding shelves
Shelf positions	8
Interior Lighting	3 lightbulbs (20W halogen)
Cooking Modes	17
Gril Power	4400W
<b>Capacity</b>	
Oven Capacity	4.1 cu. ft + 4.1 cu ft.
<b>Electrical Requirements</b>	
Volts; Hertz; Amps	120V/240V; 60Hz; 19.4 Amp
<b>Accessories (Included)</b>	
Roasting Rack	Included
Cooking Probe	Included
<b>Accessories (optionnal)</b>	
Square SS handle	AHV2-WOWD ( Pro serie 30")
<b>Warranty</b>	
2 Year Full Warranty	Entire Appliance, In-Home, Parts & Labour

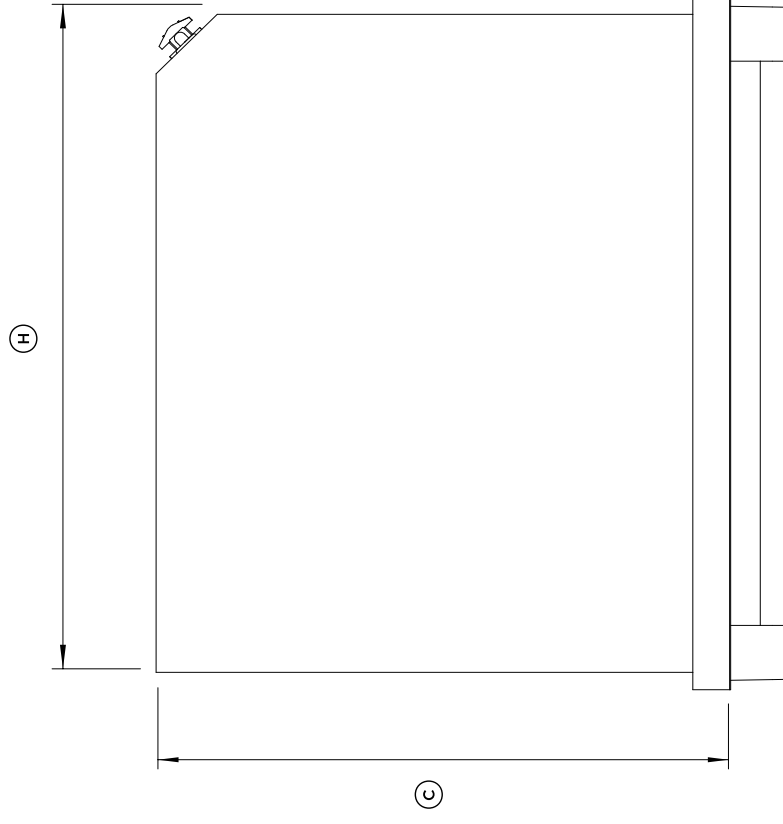
# PRODUCT DIMENSIONS – SINGLE OVENS



FRONT



PROFILE

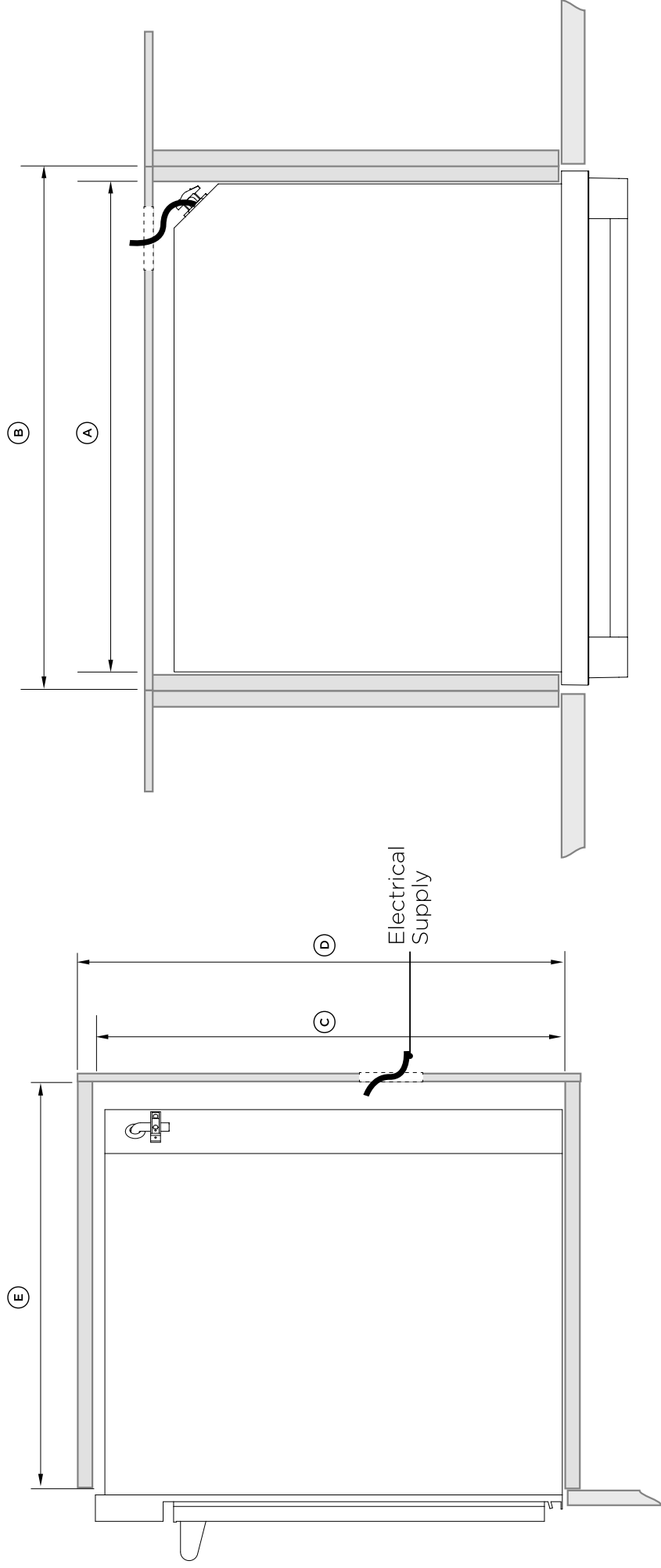


PLAN

PRODUCT DIMENSIONS	OB30S	
	INCHES	MM
Ⓐ Overall height of product	27 1/8	689
Ⓑ Overall width of product	29 13/16	757
Ⓒ Overall depth of product (excl. handle and dials)	23 15/16	608
Ⓓ Depth of oven front and control panel (excl. handle and dials)	1 9/16	39
Ⓔ Depth of chassis (does not include oven front)	22 3/8	569
Ⓕ Height of chassis	26 9/16	675
Ⓖ Depth of door (open) (measured from front of door)	21 5/8	550
Ⓗ Overall width of chassis	28 5/16	719

Note: If flush installing, you need to replace the lower trim with the supplied long trim at the base of the oven, and the depth of the control panel Ⓔ with the fitted spacer is larger than conventional ovens. Ensure you have created a 1 5/8" (42mm) recess in cabinetry.

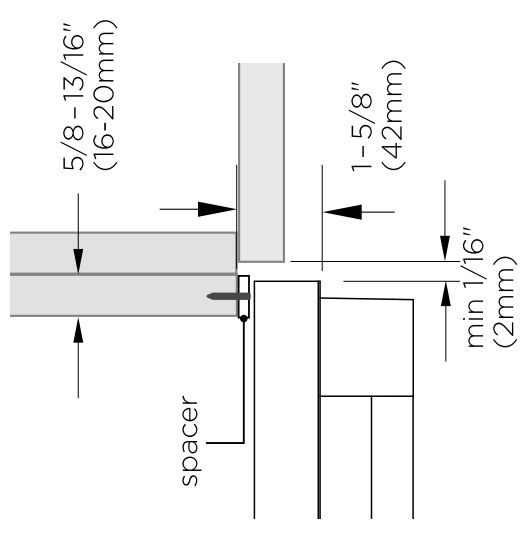
# CABINETRY DIMENSIONS — SINGLE OVENS



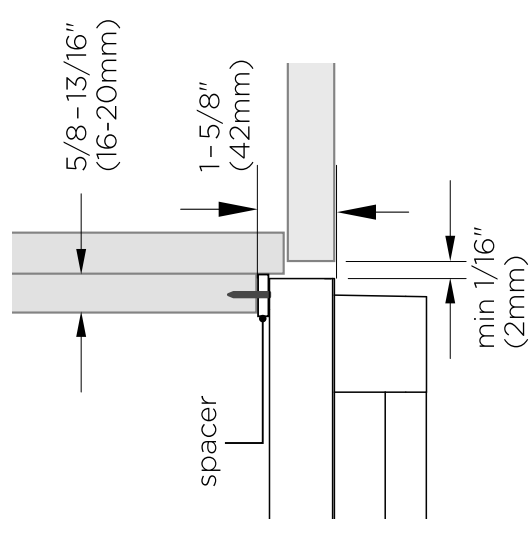
PROFILE

PLAN

PROUD INSTALL



FLUSH INSTALL



## CABINETRY DIMENSIONS

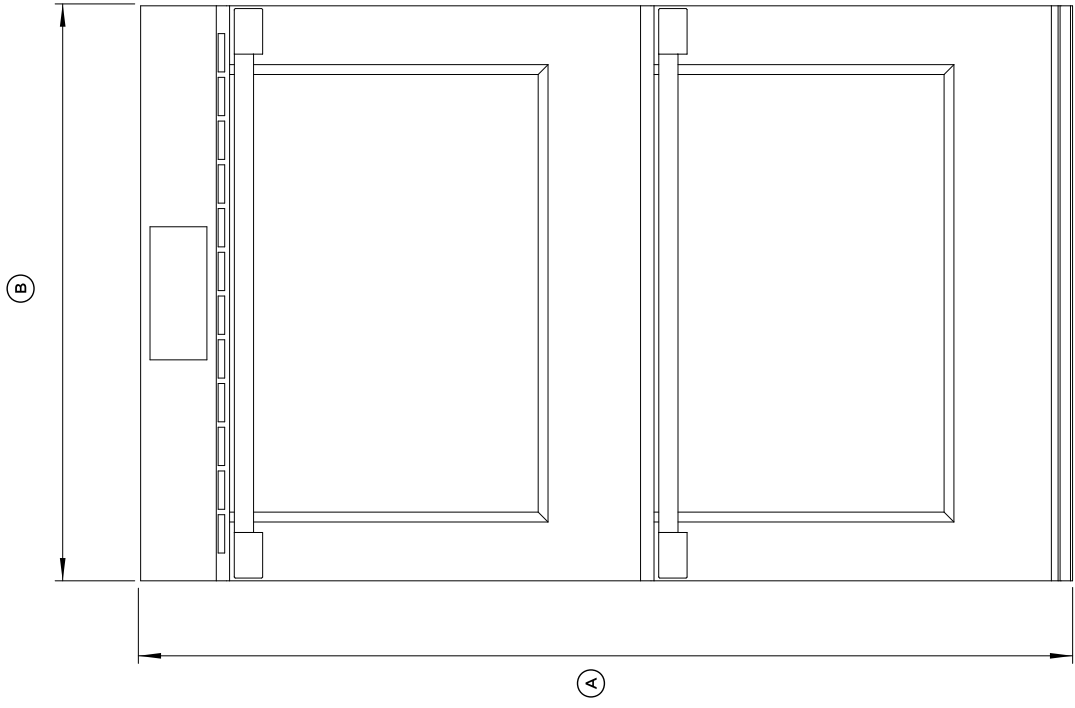
	OB30S	
	INCHES	MM
Ⓐ Minimum inside width of cavity	28 1/2	724
Ⓑ Overall width of cabinetry	30 1/8	764
Ⓒ Minimum inside height of cavity	26 13/16	681
Ⓓ Overall height of cabinetry	27 3/8	693
Ⓔ Minimum inside depth of cavity	22 5/8	575
• Proud install	24 3/16	614
• Flush install		

**Notes:**

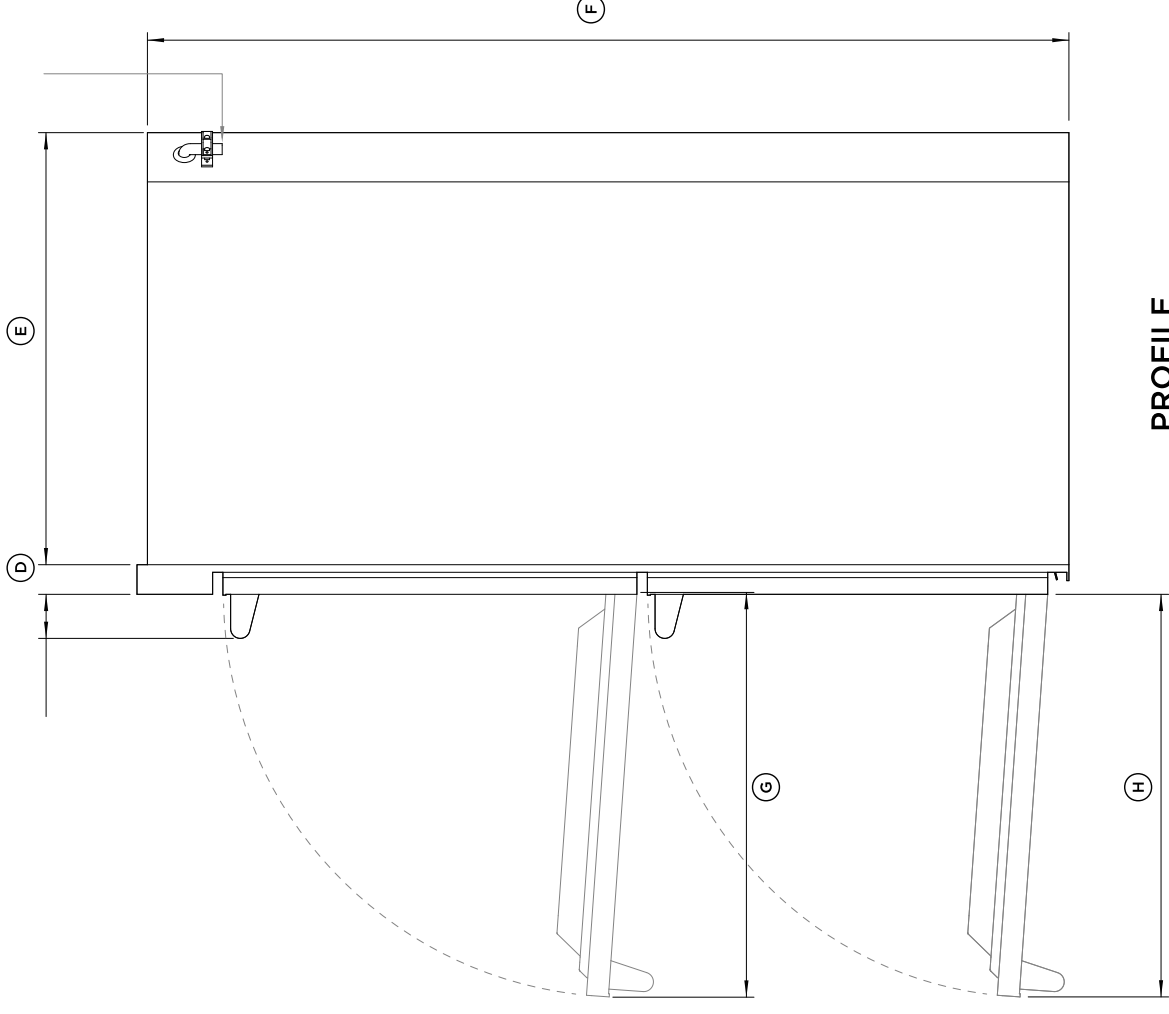
If installing a cooktop above the oven, ensure adequate clearance is provided for the cooktop as per the cooktop manufacturer's instructions.

Ensure the cavity is completely sealed with no gaps. This is to ensure the oven cooling system functions correctly.

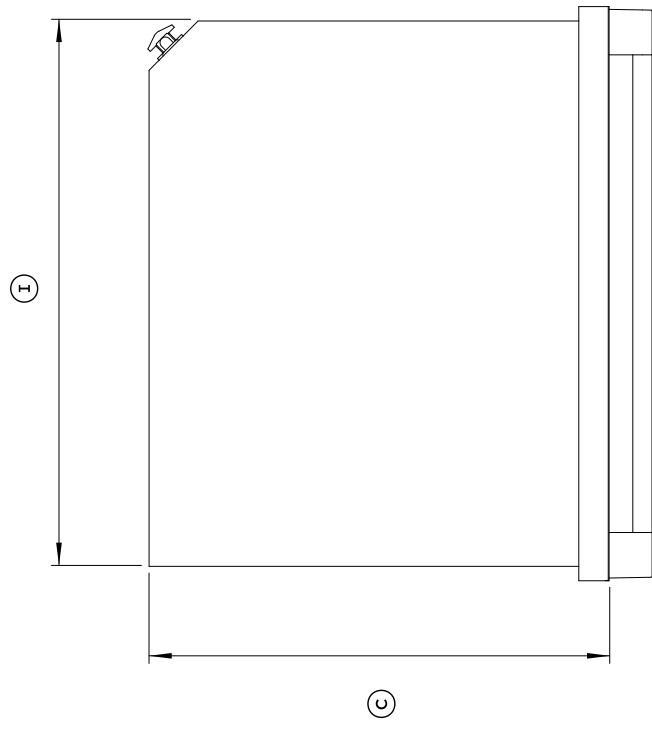
# PRODUCT DIMENSIONS – DOUBLE OVENS



FRONT



PROFILE

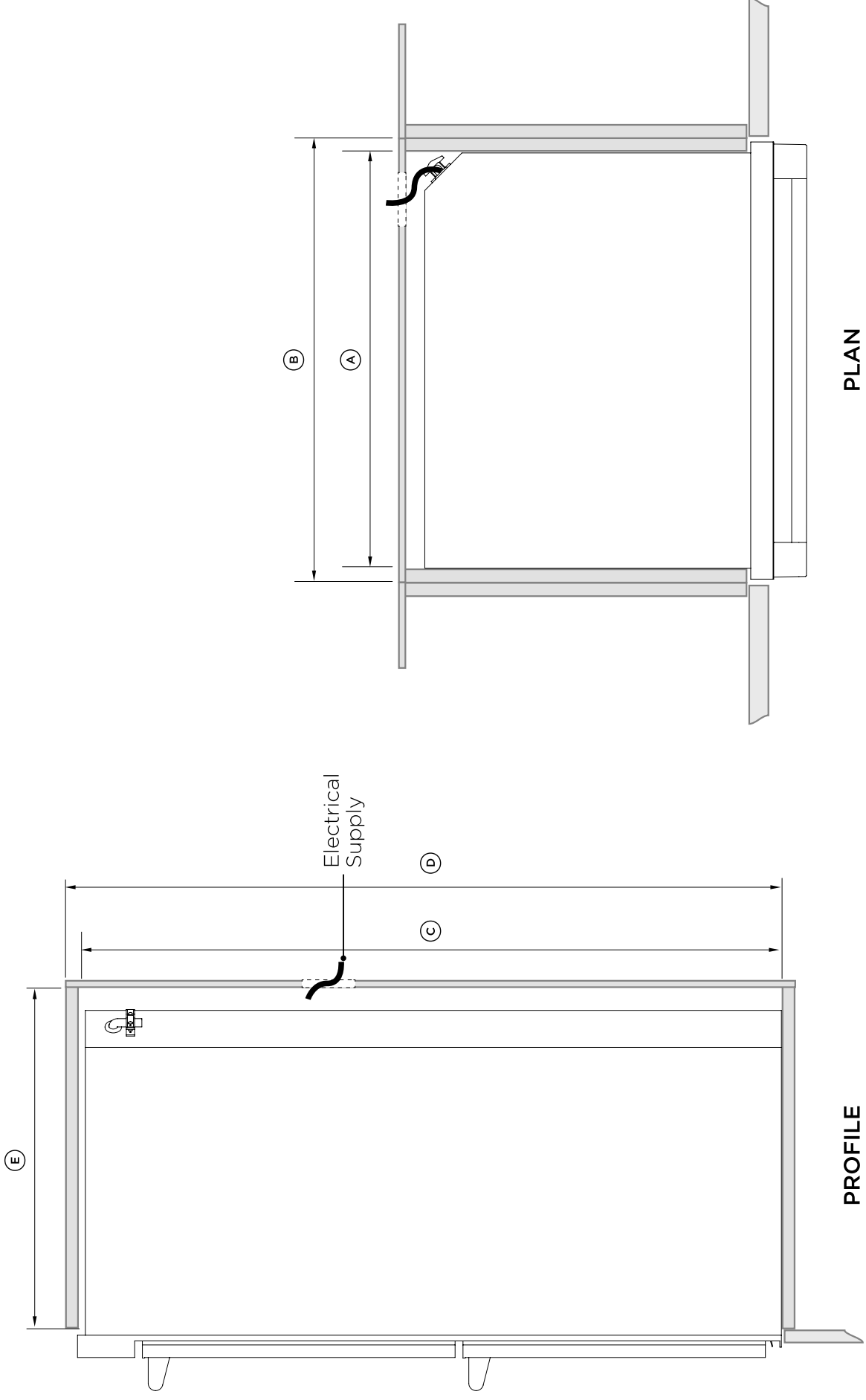


PLAN

PRODUCT DIMENSIONS	OB30D	
	INCHES	MM
Ⓐ Overall height of product	48 1/2	1232
Ⓑ Overall width of product	29 13/16	757
Ⓒ Overall depth of product (excl. handle and dials)	23 15/16	608
Ⓓ Depth of oven front and control panel (excl. handle and dials)	1 9/16	39
Ⓔ Depth of chassis (does not include oven front)	22 7/16	569
Ⓕ Height of chassis	47 15/16	1218
Ⓖ Depth of upper door (open) (measured from front of door)	21 5/8	550
Ⓗ Depth of lower door (open) (measured from front of door)	20 7/8	530
Ⓘ Overall width of chassis	28 5/16	719

Note: If flush installing, you need to replace the lower trim with the supplied long trim at the base of the oven, and the depth of the control panel Ⓓ with the fitted spacer is larger than conventional ovens. Ensure you have created a 1 5/8" (42mm) recess in cabinetry.

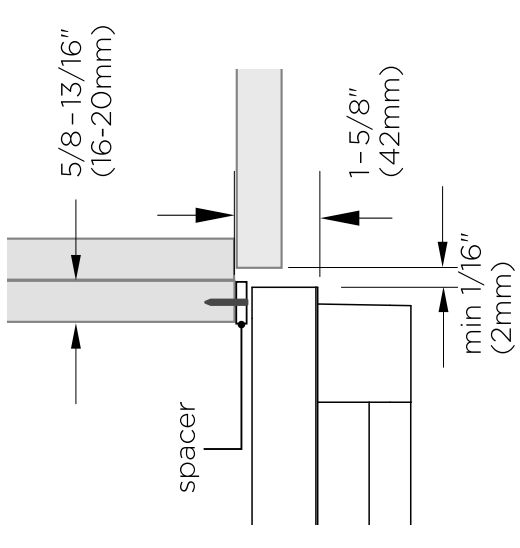
# CABINETY DIMENSIONS – DOUBLE OVENS



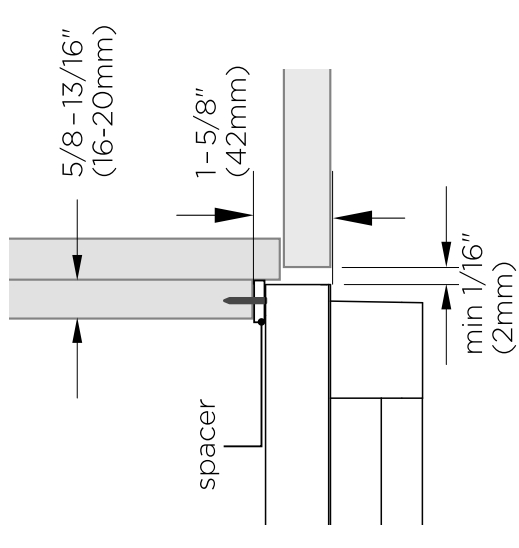
PROFILE

PLAN

PROUD INSTALL



FLUSH INSTALL



## CABINETY DIMENSIONS

	OB30D	
	INCHES	MM
Ⓐ Minimum inside width of cavity	28 1/2	724
Ⓑ Overall width of cabinetry	30	762
Ⓒ Minimum inside height of cavity	48 3/16	1224
Ⓓ Overall height of cabinetry	48 11/16	1236
Ⓔ Minimum inside depth of cavity		
• Proud install	22 5/8	575
• Flush install	24 3/16	614

**Notes:**

If installing a cooktop above the oven, ensure adequate clearance is provided for the cooktop as per the cooktop manufacturer's instructions.

Ensure the cavity is completely sealed with no gaps. This is to ensure the oven cooling system functions correctly.