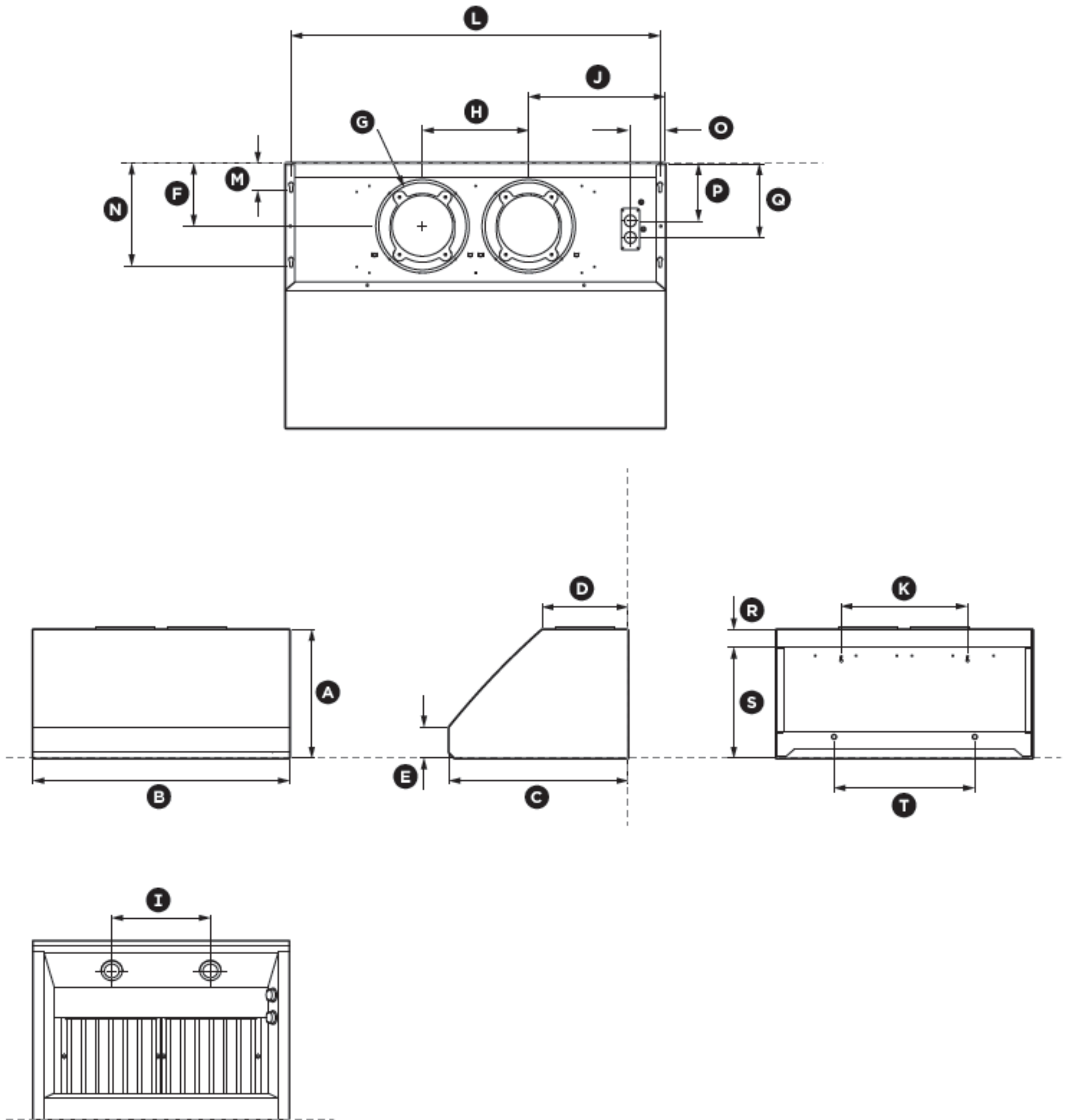


Modèle Sélectionné	
Numéro de modèle	HCB36-6-N
Dimensions	
Dimensions	35 7/8" (L) x 25 1/16" (P) x 18" (H)
Caractéristiques	
Contrôle	Contrôle à boutons rotatifs
Éclairage	2 ampoules, 50W halogènes (ampoules incluses), 2 intensités d'éclairage
Type d'installation	Extérieure seulement
Type de moteur	600 PCM, 4 vitesses
Type de filtre	2x filtres chicanes en Acier inoxydable
Type de transition de sortie	Transition 8" circulaire
Accessoires (Optionnels)	
Couvre conduit 12"	HCC3612 (36"L x 12" H)
Couvre-conduit 6"	HCC3606 (36"L x 6"H)
Lampes réchaud infrarouge	HIR36
Garantie	
Garantie complète de 2 ans	Appareil complet: pièces et main d'oeuvre; à domicile

INSTALLATION PREPARATION

Product dimensions



PRODUCT DIMENSIONS	HCB30-6 inches (mm)	HCB36-6 inches (mm)	HCB36-12 HC36 inches (mm)	HCB48-12 HC48 inches (mm)
(A) Overall height of product	18" (457)	18" (457)	18" (457)	18" (457)
(B) Overall width of product	29 7/8" (759)	35 7/8" (911)	35 7/8" (911)	47 7/8" (1216)
(C) Overall depth of product	25 1/16" (636)	25 1/16" (636)	25 1/16" (636)	25 1/16" (636)
(D) Depth of top face of product	12" (305)	12" (305)	12" (305)	12" (305)
(E) Height of front face	4 5/16" (110)	4 5/16" (110)	4 5/16" (110)	4 5/16" (110)
(F) Distance from center of ducting outlet to back of product	5 7/8" (150)	5 7/8" (150)	5 7/8" (150)	5 7/8" (150)
(G) Diameter of ducting outlet	8 3/16" (208)	8 3/16" (208)	8 3/16" (208)	8 3/16" (208)
(H) Distance between center of blowers	N/A	N/A	10 1/16" (255)	10 1/16" (255)
(I) Distance between center of lights	12" (305)	13 3/4" (350)	13 3/4" (350)	12" (305)
(J) Distance between center of blower to side of range hood	14 15/16" (380)	17 15/16" (456)	12 15/16" (328)	18 7/8" (480)
(K) Distance between wall mounting slots	17 5/8" (448)	17 5/8" (448)	17 5/8" (448)	17 5/8" (448)
(L) Distance between under cabinet mounting slots	28 7/8" (734)	34 7/8" (886)	34 7/8" (886)	46 7/8" (1191)
(M) Distance from wall to rear under cabinet mounting slots	2 5/8" (66)	2 5/8" (66)	2 5/8" (66)	2 5/8" (66)
(N) Distance from wall to front under cabinet mounting slots	9 11/16" (246)	9 11/16" (246)	9 11/16" (246)	9 11/16" (246)
(O) Dimension from side of range hood to junction box knockout	3 7/8" (98)	3 5/16" (84)	3 5/16" (84)	6 1/16" (154)
(P) Dimension from back to rear junction box knockout	5 7/16" (138)	5 7/16" (138)	5 7/16" (138)	5 7/16" (138)
(Q) Dimension from back to front junction box knockout	7" (178)	7" (178)	7" (178)	7" (178)
(R) Height from top of range hood to recess on back	2 1/2" (63)	2 1/2" (63)	2 1/2" (63)	2 1/2" (63)
(S) Height from bottom of range hood to top of recess on back	15 1/2" (394)	15 1/2" (394)	15 1/2" (394)	15 1/2" (394)
(T) Distance between wall plug mounting holes.	17 5/8" (448)	17 5/8" (448)	17 5/8" (448)	17 5/8" (448)

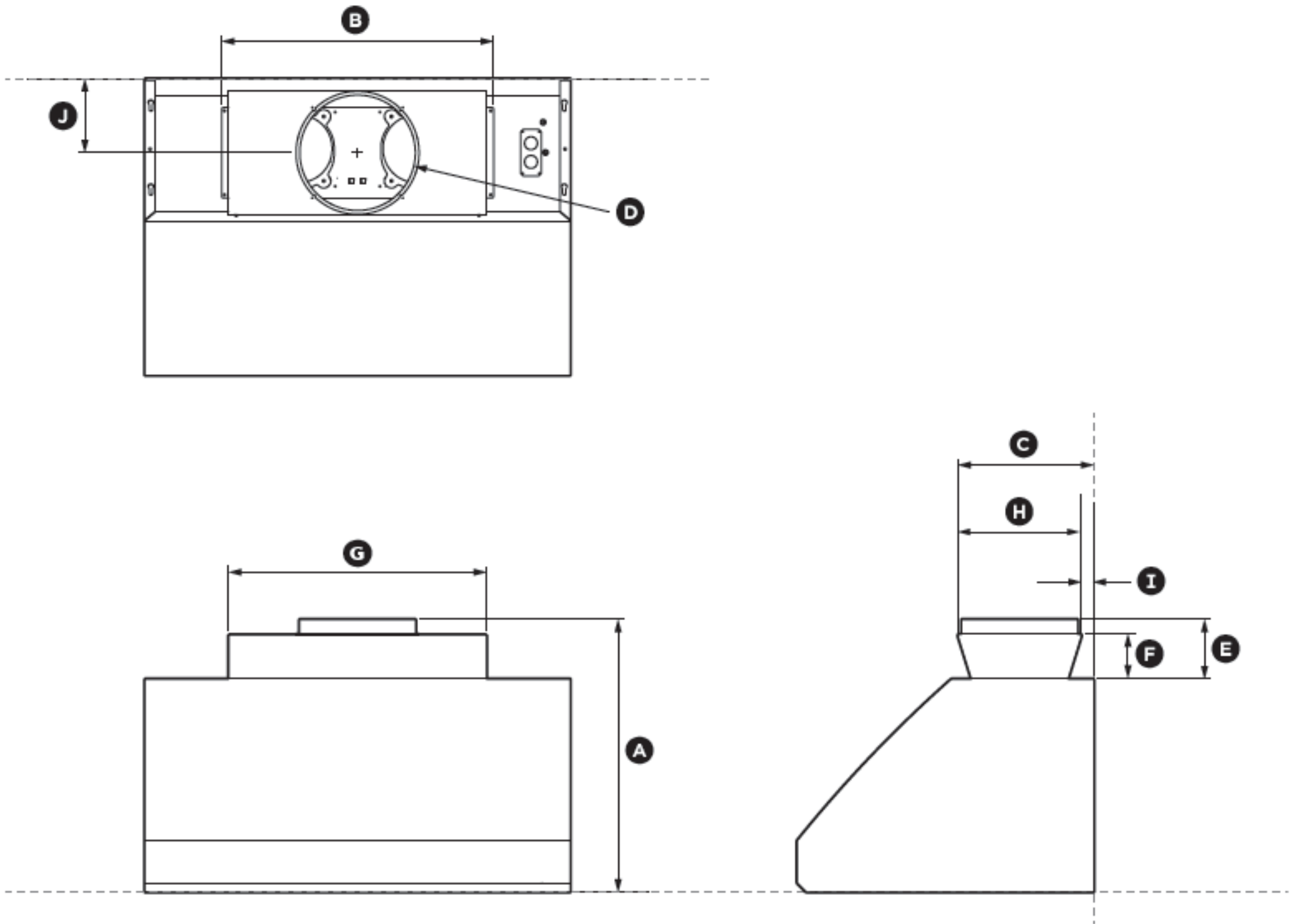
IMPORTANT!

- **Actual product dimensions may vary by ± 1/16" (2mm).**
- **Please read the entire instructions before installing the range hood.**

INSTALLATION PREPARATION

Product dimensions

Differences if 10" duct transition is added to HCB36-12, HCB48-12, HC36, HC48



PRODUCT DIMENSIONS	inches (mm)
Ⓐ Overall height of product with ducting transition added	23" (585)
Ⓑ Overall width of ducting transition	22 13/16" (580)
Ⓒ Overall depth of ducting transition to wall	11" (280)
Ⓓ Outlet diameter	10" (254)
Ⓔ Height of transition outlet pipe above range hood	5" (128)
Ⓕ Height of transition body above range hood	3 3/4" (95)
Ⓖ Width of transition body	21 3/4" (552)
Ⓗ Depth of transition body	10 1/16" (256)
Ⓘ Distance from back edge of cooktop to transition body	1 1/16" (26)
Ⓙ Distance from centre of outlet to wall	6 1/4" (159)

IMPORTANT!

- Actual product dimensions may vary by $\pm 1/16''$ (2mm).
- Please read the entire instructions before installing the range hood.