

# DVE50T5205W

SAMSUNG

Electric Dryer with Sensor Dry and Energy Star  
7.4 cu. ft. Capacity DOE



## Signature Features

### Sensor Dry

Automatically optimizes the time and temperature of your drying cycle to protect your clothes from heat damage, while avoiding excess energy use.<sup>1</sup>

### Reversible Dryer Door

Choose the direction your dryer door opens to better suit your laundry room layout.

### 10 Preset Drying Cycles

10 preset drying cycles to cover almost every drying need for your active family.

## Available Colour



White



Sensor Dry



Reversible Dryer Door

## Features

- Smart Care
- Interior Drum Light
- Reversible Door
- Door Safety

## Convenience

- Child Lock
- Filter Check Indicator
- Mixed Load Bell

## Rating



- ENERGY STAR® - Rated
- DOE Energy Factor = 3.93 lb/kWh
- Energy Consumption (annual) = 608 kWh/yr

<sup>1</sup> The Sensor Dry icon turns on when in use.

<sup>2</sup> For J.D. Power 2020 award information, visit [jdpower.com/awards](http://jdpower.com/awards)



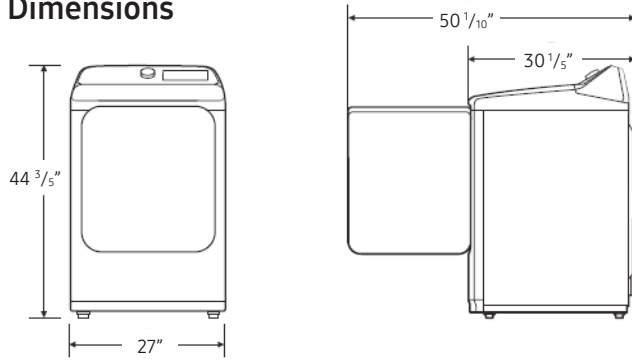
#1 Highest in Customer Satisfaction with Clothes Dryers in the U.S., 2 Years in a Row.<sup>2</sup>

# DVE50T5205W

**SAMSUNG**

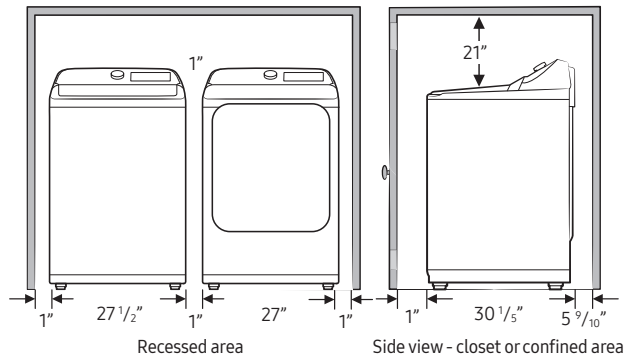
## Electric Dryer with Sensor Dry and Energy Star 7.4 cu. ft. Capacity DOE

### Dimensions



### Alcove or closet installation

MINIMUM CLEARANCES FOR CLOSET AND ALCOVE INSTALLATIONS:

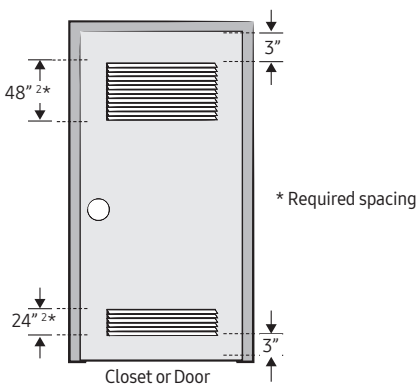


### Installation Specifications

If the washer and dryer are installed together, the closet front must have at least a 72 in<sup>2</sup> (465 cm<sup>2</sup>) unobstructed air opening. Your washer alone does not require a specific air opening.

#### WARNING

- The dryer must be exhausted to the outside to reduce the risk of fire when installed in an alcove or closet.
- No other fuel-burning appliance should be installed in the same closet as the dryer.
- Place the dryer at least 18" (460 mm) above the floor for garage installation.



### 7.4 cu. ft. Capacity

#### 10 Preset Drying Cycles:

Normal, Heavy Duty, Perm Press, Bedding, Delicates, Sanitize, Time Dry, Air Fluff, Quick Dry, Wrinkle Release

#### 9 Additional Drying Options:

Mixed Load Bell, Wrinkle Prevent, Adjust Time (Up), Adjust Time (Down), Child Lock (Dual Key), Sound On/Off (Long Key), Eco Dry, Smart Care (Long Key), Drum Light (Long Key)

#### 5 Temperature Levels:

High, Medium, Medium Low, Low, Extra Low

#### 5 Dry Levels:

Very Dry (Extra), More Dry, Normal Dry, Less Dry, Damp Dry

#### Warranty

One (1) Year Parts and Labour

#### Product Dimensions & Weight (WxHxD)

Dimensions: 27" x 44 3/5" x 30 1/5"

Weight: 119 lbs (54 Kg)

#### Shipping Dimensions & Weight (WxHxD)

Dimensions: 29 1/2" x 47 1/2" x 31 1/10"

Weight: 125.7 lbs (57 Kg)

#### Electric Dryer

White

#### Model #

DVE50T5205W

#### UPC Code

887276473499

#### Matching Washer

White

#### Model #

WA50R5200AW

#### UPC Code

887276300528

### Other Specifications

Type		Front loading dryer
Water pressure (psi (kPa))		20-116 (137-800)
Weight	lb (kg)	119.0 (54.0)
Heater rating	Electric (W)	5300
	Gas (BTU/hr)	2000
Power consumption (W)		5400