

# DVE50A5405V

SAMSUNG

Electric Dryer with Steam Sanitize+ and Energy Star  
7.4 cu. ft. Capacity DOE



## Signature Features

### Steam Sanitize+

Steam Sanitize+ helps remove 99.9% of bacteria, over 95% of pollen, and 100% of dust mites.<sup>1</sup>

### Wi-Fi Connectivity

Control your washer/dryer with voice commands from Bixby, Alexa and Google Assistant. Wi-Fi Connectivity, allows you to remotely start or stop your cycle, schedule laundry on your time, receive end of cycle alerts, and more right from your smartphone with the SmartThings app.<sup>2</sup>

### Sensor Dry

Automatically optimizes the time and temperature of your drying cycle to protect your clothes from heat damage, while avoiding excess energy use.<sup>3</sup>

## Available Colour



Black Stainless Steel



Steam Sanitize+



Wi-Fi Connectivity

## Features

- Steam
- SmartThings Wi-Fi Connectivity
- Smart Care
- Interior Drum Light
- Reversible Door
- Door Safety

## Convenience

- Child Lock
- Filter Check Indicator
- Mixed Load Bell

- Wi-Fi Connectivity and Voice Control



## Rating



- ENERGY STAR® - Rated
- IWF = 4.3
- Energy Consumption (annual) = 608 kWh/yr



#1 Highest in Customer Satisfaction with Top-Load Clothes Washers in the U.S., 2 Years in a Row.<sup>3</sup>

<sup>1</sup> Based on internal testing. Independently verified by Intertek in its report RT18E-S0023 dated 19-Dec-2018.

<sup>2</sup> The Samsung Smart Washer/Dryer App is required and is available on Android and iOS devices. The Samsung Smart Washer/Dryer app supports Android OS 2.3.6 or later and iOS 3 or later for iPhone models. A Wi-Fi connection is required.

<sup>3</sup> The Sensor Dry icon turns on when in use.

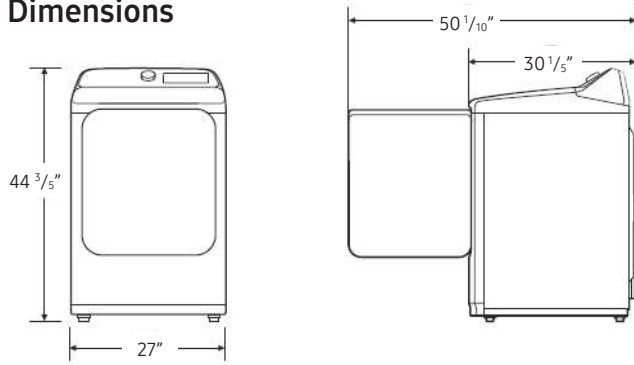
<sup>4</sup> For J.D. Power 2020 award information, visit [jdpower.com/awards](http://jdpower.com/awards)  
Service callouts will occasionally be required and may incur extra repair costs.

# DVE50A5405V

SAMSUNG

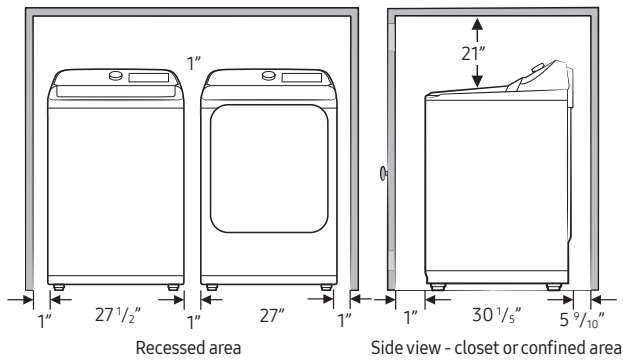
## Electric Dryer with Steam Sanitize+ and Energy Star 7.4 cu. ft. Capacity DOE

### Dimensions



### Alcove or closet installation

MINIMUM CLEARANCES FOR CLOSET AND ALCOVE INSTALLATIONS:



### Installation Specifications

If the washer and dryer are installed together, the closet front must have at least a 72 in<sup>2</sup> (465 cm<sup>2</sup>) unobstructed air opening. Your washer alone does not require a specific air opening.

#### WARNING

- The dryer must be exhausted to the outside to reduce the risk of fire when installed in an alcove or closet.
- No other fuel-burning appliance should be installed in the same closet as the dryer.
- Place the dryer at least 18" (460 mm) above the floor for garage installation.

### 7.4 cu. ft. Capacity

#### 12 Preset Drying Cycles:

Refresh, Steam Sanitize+, Wrinkle Away, Normal, Heavy Duty, Perm Press, Bedding, Delicates, Active Wear, Time Dry, Air Fluff, Quick Dry

#### 9 Additional Drying Options:

Mixed Load Bell, Wrinkle Prevent, Adjust Time (Up), Adjust Time (Down), Child Lock (Dual Key), Sound On/Off (Long Key), Eco Dry, Smart Care (Long Key), Drum Light (Long Key)

#### 5 Temperature Levels:

High, Medium, Medium Low, Low, Extra Low

#### 5 Dry Levels:

Very Dry (Extra), More Dry, Normal Dry, Less Dry, Damp Dry

#### Warranty

One (1) Year Parts and Labour

#### Product Dimensions & Weight (WxHxD)

Dimensions: 27" x 44 3/5" x 30 1/5"

Weight: 119 lbs (54 Kg)

#### Shipping Dimensions & Weight (WxHxD)

Dimensions: 29 1/2" x 47 1/2" x 31 1/10"

Weight: 125.7 lbs (57 Kg)

#### Electric Dryer

Black Stainless

#### Model #

DVE50A5405V

#### UPC

#### Matching Washer

Black Stainless

#### Model #

WA50A5400AV

#### UPC

### Other Specifications

Type		Front loading dryer
Water pressure (psi (kPa))		20-116 (137-800)
Weight	lb (kg)	119.0 (54.0)
Heater rating	Electric (W)	5300
	Gas (BTU/hr)	2000
Power consumption (W)		5400