

RF29A9071SR

SAMSUNG

4-Door Flex Refrigerator with AutoFill Water Pitcher and Dual Auto Ice Maker 29.2 cu. ft.



Signature Features

AutoFill Water Pitcher

A BPA Free¹ Autofill Water Pitcher located in the fridge door fills up automatically to give you easy access to cold flavoured water.

Dual Auto Ice Maker

Be prepared for any occasion with two different types of ice. The Dual auto ice maker makes both cubed ice and ice bites.

UV Deodorizing Filter

New built-in deodorizing filter reduces unpleasant odours caused by bacteria in your fridge. And the UV light in the filter system keeps the filter clean all the time.


Flexible Storage


Keep your food fresh in the right places. The FlexZone™ is an independently controlled compartment with five different temperature modes: Freeze, Soft Freeze, Meat/Fish, Fruit/Veggies and Beverage. You can also store meat or fish in the Flex Crisper and fruits and vegetables in the Crisper.

Triple Cooling + Precise Cooling

Ensure food stays moist and fresh for longer.² Triple Cooling system optimizes the temperature and humidity in the fridge and freezer with independent cooling. It preserves food better and protects its flavour by preventing odours from mixing. Precise Cooling system minimizes temperature fluctuation to preserve the quality and texture of food.

Available Colours

 Fingerprint Resistant
Stainless Steel (shown)

 Fingerprint Resistant
Black Stainless Steel



AutoFill™ Water Pitcher



Dual Ice Maker with IceBites™



Triple Cooling

Features

- 36" Wide
- Large Storage Capacity – 29 cu. ft.
- Triple Cooling
- FlexZone™
- FlexCrisper™
- UV Deodorizing Filter
- Tempered Glass Spill-Proof Shelves
- Fingerprint Resistant Finish

Convenience

- Autofill Pitcher
- Water Dispenser
- Dual Auto Ice Maker
- Door Alarm
- Wi-Fi Connectivity

Rating



- ENERGY STAR® - Rated
- Energy Consumption (annual) = 705 kWh/yr

¹ Does not contain the chemical Bisphenol A.

² As compared to Samsung fridge without Triple Cooling System.

RF29A9071SR

SAMSUNG

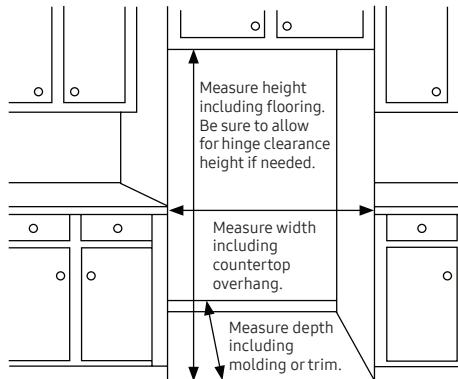
4-Door Flex Refrigerator with AutoFill Water Pitcher and Dual Auto Ice Maker 29.2 cu. ft.

Installation Specifications

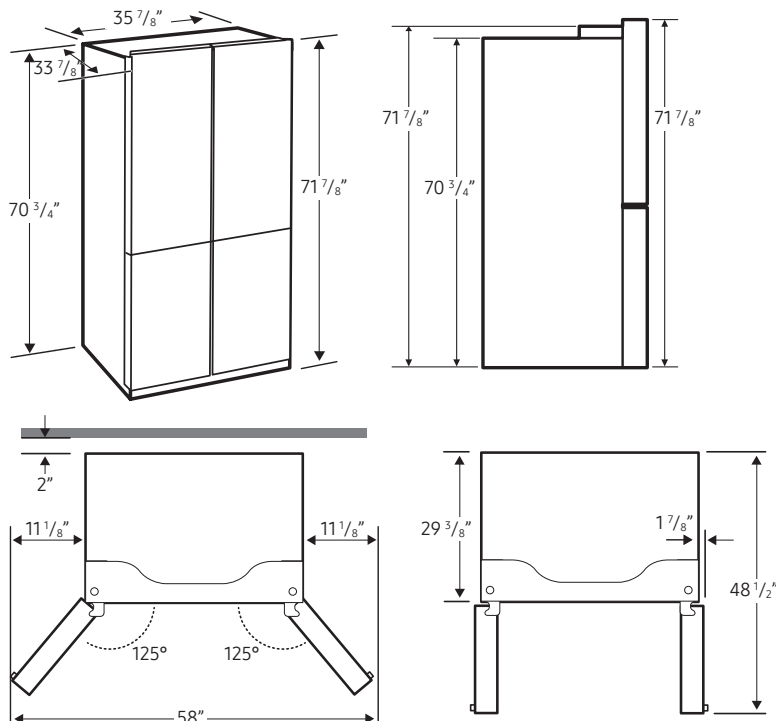
1. Measure the height, width and depth of the opening, making sure to include baseboards, molding tile, countertop overhang, etc. Check to be sure there is enough room to open the door (consider walls, islands or other obstacles when measuring).
2. Refer to illustration below to determine dimensions.
3. Allow 11 1/8" of clearance on hinge side of refrigerator when installing next to a wall where handle may make contact.
4. Allow 2" minimum clearance at rear for proper air circulation and water/ electrical connections. Allow a 3/8" minimum clearance at sides and top for ease of installation.
5. Ensure each door and entryway in the home is wide enough for the refrigerator to be moved through easily.

For optimal usage and to be able to open refrigerator doors completely, do not install next to a wall.

Please note: The following dimension and cutout information is for planning purposes only. For complete installation details, consult manual packed with product, or download manual online at samsung.com.



Dimensions



Total Capacity: 29.2 cu. ft.

Refrigerator: 17.6 cu. ft.

Autofill Water Pitcher
Triple Cooling
2 Crispers (Flex Crisper™, Crisper+)
4 Tempered Glass Shelves
6 Door Bins
UV Deodorizing Filter

Freezer: 11.6 cu. ft.

Right Freezer:
FlexZone™
• -15°C to -23°C (Freeze) • -5°C (Soft Freeze)
• -1°C (Meat · Fish) • 2°C (Fruits · Veggies)
• 5°C (Chill)
2 Slide-out shelves
1 Drawer Bin
Left Freezer:
Auto Dual Ice Maker (Cubed Ice, IceBites™)
2 Slide-out shelves
1 Drawer Bin

Volt/Amps	115V / 60Hz / 3.5A
Power Cord Length	2 meters

Warranty

One (1) Year Parts and Labour on Refrigerator
Ten (10) Years Parts on Digital Inverter Compressor

Product Dimensions & Weight (WxHxD)

Dimensions (WxHxD with hinges, handles and doors):

35 7/8" x 71 7/8" x 33 7/8"

Dimensions (WxHxD without hinges and door):

35 7/8" x 70 3/4" x 29 3/8"

Dimensions (WxHxD with hinge and door, no handle):

35 7/8" x 71 7/8" x 33 7/8"

Weight: 308.6 lbs (140 kg)

Shipping Dimensions & Weight (WxHxD)

Dimensions: 38 1/4" x 77 5/8" x 36 1/4"

Weight: 330.7 lbs (150 kg)

Colour

Stainless Steel

Model

RF29A9071SR

UPC Code

887276525723

Black Stainless Steel

RF29A9071SG

887276525709

Stainless Steel

RF23A9071SR

887276525600

(Counter-Depth)

Black Stainless Steel

RF23A9071SG

887276525587

(Counter-Depth)