

Café™ 30" Slide-In Front Control Dual-Fuel Oven with Convection Range

C2S900M2NS5

CAFÉ

DISTINCT BY DESIGN™



FEATURES & BENEFITS

Expansive six-burner cooktop helps you entertain with ease - Entertaining for large groups is easy with the industry's first six burner, edge-to-edge cooktop that can accommodate cookware of all sizes and a cast-iron integrated griddle that provides enough room to perfectly flip crab cakes, arepas and other crowd favorites

Enjoy total control in the kitchen and beyond - Control your oven with your smart device or simply your voice using WiFi Connect

Precision is the name of your cooking game - Confidently try new recipes and perfectly execute your favorites, using a smart system that automatically tracks progress, modifies temperatures and adjusts cook times

A touch of brilliance - Bring interactive capabilities into your kitchen with a 7" LCD touch screen that looks stunning and makes it easy to control your oven

Share favorite creations with your favorite people - Create an unforgettable dinner, using a 21K tri-ring burner to do everything from searing scallops to simmering a lemon caper white wine sauce and a 15K power boil burner to boil water quickly for al dente angel hair pasta

Treat yourself to the best of both worlds - Get the precision you need to pull off a multi-course dinner party with Dual Fuel, which boasts a gas-powered cooktop for precise heat control and electric True European Convection with Precise Air in the oven for even baking results

Never scrub, smooth-glide racks - Easily remove heavy dishes with a roller rack that is specially designed to glide smoothly and stay in the oven during the self-clean cycle, so you never have to handle cumbersome racks again

Prepare foods to perfect doneness - Get roasts and meats just right with a temperature probe that lets you monitor progress without opening the oven door

APPEARANCE

Cooktop Burner Grate Color	Matte Black
Installation	Flush Appearance; Free-standing cut-out
Oven Door Features	Big Clear View Oven Window; Frameless Oven Door
Handle Color	Stainless Steel
Handle Design	Café Minimal
Control Knobs	Weighted Stainless Steel Appearance

FEATURES

Configuration	Range with Storage Drawer
Cooking System	True European Precise Air Reversing
Cooking Technology	Convection
Oven Cleaning Type	Self-Clean with Steam Clean Option
Burner - Left Front	21,000 BTU Tri-ring Burner
Burner - Left Rear	5,000 BTU Precise Simmer
Burner - Right Front	15,000 BTU
Burner - Right Rear	12,000 BTU
Burner - Center	9,500 BTU Front / 9,500 BTU Rear
Cooktop Burner Type	Sealed
Cooktop Surface	Deep Recessed; Stainless Steel
Dishwasher Safe Knobs	Yes
Control Location	Front controls
Control Type	LCD - Touch
Valves (Degree of Turn)	270

	Audible Preheat Signal; Automatic Oven Timer (Time Bake); Auto Oven Shut-Off; Auto Self Clean; Certified Sabbath Mode; Chef Connect; Control Lock Capability; Delay Bake Option (Time Bake); Delay Clean Option; Electronic Clock and Timer; Front Controls; In-Oven Broiling; Precision Cooking Modes; Temperature Probe; Self-Clean Cool Down Time Display
Oven Control Features	
Oven Cooking Modes	Convection Bake; Convection Roast
Oven Features	8-Pass Broil Element
Cooktop Burner Grate Features	Heavy-Cast Edge-to-Edge Grates
Cooktop Burner Grate Material	Cast-Iron
Cleaning Time	Variable with Delay Clean Option
Self-Clean Oven Door Lock	Automatic
Oven Rack Features	2 Self-Clean Oven Racks; 1 Roller Rack; 6 Rack Positions
Fuel Type	240V Electric and Natural Gas
Ignition System	Electronic w/Auto Reignition
Leveling System	4 Leveling Legs
Style	Minimal
Oven Interior	1 Incandescent; Hidden Bake; Black
Connected Capabilities	Amazon Alexa; The Google Assistant; IFTTT; Nest; Drop; Innit; DiGiorno
WiFi Connect	Built-In

CAPACITY

Total Capacity (cubic feet)	5.7 cu ft
-----------------------------	-----------

ACCESSORIES

Grates	Included Center Grate
Grill	Optional; Integrated Cast Iron; JXCGRILL1
LP Conversion Kit	Included
Trim Kit	Optional; JXFILLR1SS
Griddle	Included; Integrated Cast Iron

WEIGHTS & DIMENSIONS

Cabinet Opening	30 in
Depth with Door Open	47-1/2 in
Approximate Shipping Weight	244 lb
Net Weight	224 lb
Height to Top of Rear Vent Trim	37-3/8 in
Overall Height	37-3/8 in
Height to Cooking Surface (in.)	36-1/4 +/- 1/4
Overall Width	29-7/8 in
Cabinet Width	30 in
Overall Depth	29-3/8 in
Depth Without Handle	26-7/8 in
Oven Interior Dimensions (W x H x D) (in.)	24 x 19-7/8 x 20-5/8

Café™ 30" Slide-In Front Control Dual-Fuel Oven with Convection Range

C2S900M2NS5

CAFÉ

DISTINCT BY DESIGN™

POWER / RATINGS

Amp Rating at 208V	30
Amp Rating at 240V	30
Bake/Broil Wattage - Main Oven	2850/4000W
Convection Wattage	2500W
Top Burner BTU Rating - LP (000's BTU's)	(1) 18.0 Tri-Ring; (1) 15.0; (1) 12.0; (2) 9.5; (1) 5.0
Top Burner BTU Rating - Nat. Gas (000's BTU's)	(1) 21.0 Tri-Ring; (1) 15.0; (1) 12.0; (2) 9.5; (1) 5.0
Volts/Hertz/Amps	208/240V; 60Hz; 30A
Power Connection	Power Cord - Not Included

WARRANTY

Parts warranty	Limited 1-year entire appliance
Labor warranty	Limited 1-year entire appliance
Warranty notes	See written warranty for full details

DIMENSIONS

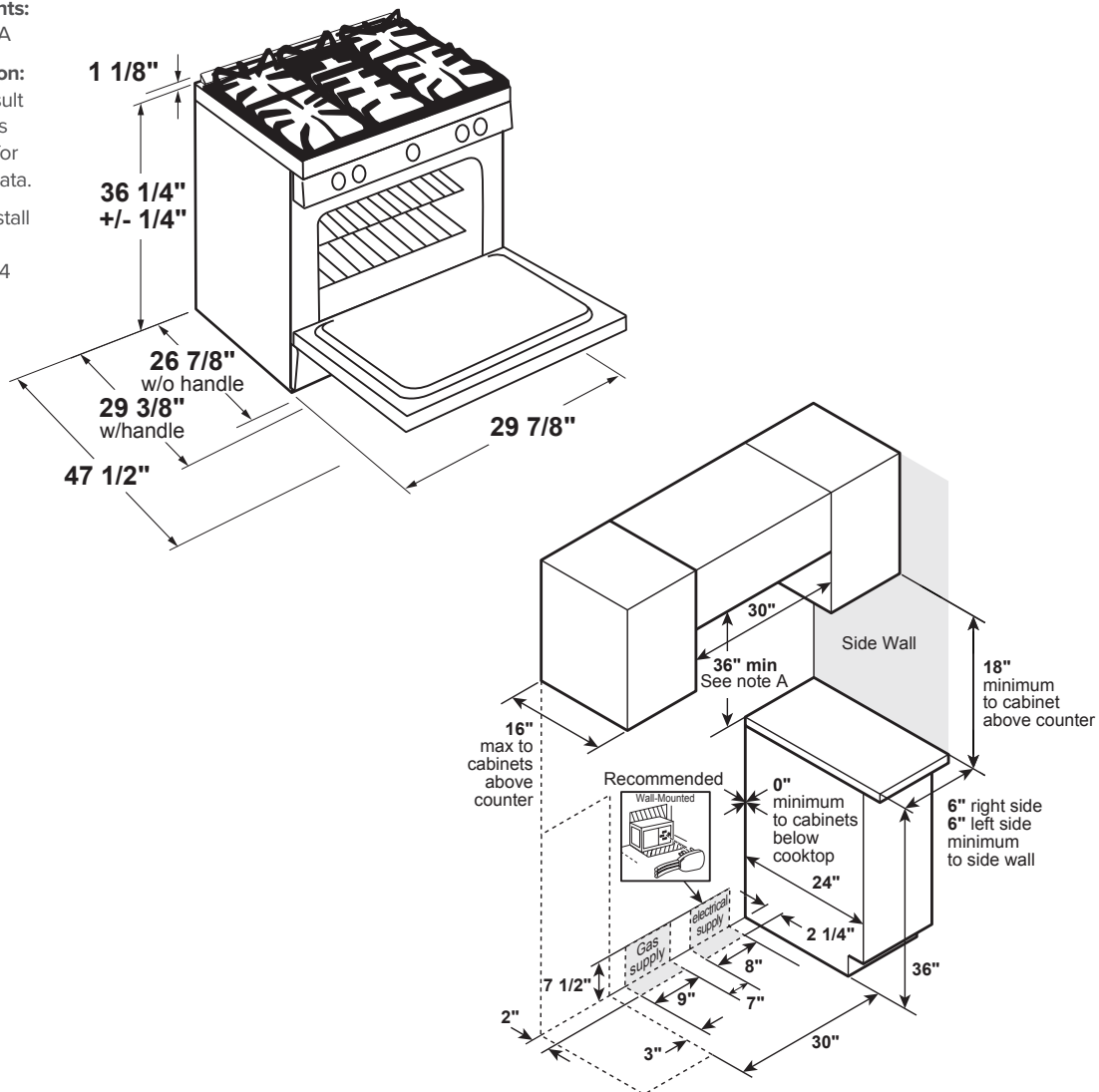
Electrical Requirements:

240v/208v; 60Hz, 30A

Installation information:

Before installing, consult installation instructions packed with product for current dimensional data.

For all installations, install the required rear trim to back of range with 4 screws provided.



Note A: 36" Minimum to bare cabinet, see installation instructions for heights less than 36"