



30-INCH COMBI WALL OVEN

DOC30M977D | MODERNIST COLLECTION



AVAILABLE MODELS

DOC30M977DM Graphite Stainless Steel

DOC30M977DS Stainless Steel

FEATURES & BENEFITS

- Available in graphite stainless steel and silver stainless steel.
- Exclusive Four Part Dual Pure Convection Oven - heat, air, baffle and filter to precisely distribute heat for superior cooking results.
- Steam and Convection Oven - the power of steam assist and convection cooking in one.
- The convenience of Microwave Convection.
- Large oven capacity: Microwave 1.9 cu. ft. / Oven 4.8 cu. ft.
- BrightVue™ oven lighting (LED + Halogen Lights).
- RadiantVue™ microwave lighting (LED + Metal Mesh).
- 7" LCD control panel.
- Dacor iQ Kitchen app with integrated Wi-Fi to control and monitor remotely.
- Flush installation.

ACCESSORIES (INCLUDED)

| | |
|---------------------------|---|
| GLIDE RACKS | 2 |
| STANDARD RACKS | 1 |
| TEMPERATURE PROBE | 1 |
| AUTOMATIC WATER RESERVOIR | 1 |
| TURN TABLE (OPTITRAY™) | 1 |
| MICROWAVE WIRE RACK | 1 |
| EVENPLATE™ | 1 |

ACCESSORIES (OPTIONAL)

| | |
|--------------------------|---------------|
| COOKIE SHEETS (SET OF 3) | SKU - ACSM303 |
|--------------------------|---------------|

GENERAL PROPERTIES - OVEN

COOKING MODES
LOWER CAVITY

BAKE - BROIL - CONVECTION
BAKE - CONVECTION ROAST -
CONVECTION
BROIL - FOUR PART PURE
CONVECTION - PURE
CONVECTION SEAR - STEAM
BAKE - STEAM ROAST

GENERAL PROPERTIES - MICROWAVE

COOKING MODES
UPPER CAVITY

BROIL - CONVECTION SEAR
(POWER CONVECTION) - SPEED
CONVECTION
SEAR - SPEED BROIL

FEATURES

| | |
|------------------------|--------------------------------|
| TYPE | COMBINATION MICROWAVE/ OVEN |
| SOFT CLOSE DOOR (OVEN) | SOFTSHUT™ |
| LIGHTING | BRIGHTVUE™ AND RADIANTVUE™ |

ADDITIONAL FEATURES - OVEN

| | |
|-----------------|--|
| CLEANING TYPE | SELF CLEAN GREENCLEAN™ |
| OVEN TYPE | COMBINATION |
| INSTALLATION | FLUSH |
| CONTROLS | 7" LCD |
| WI FI | YES (REMOTE ENABLED) |
| CONVECTION TYPE | FOUR PART DUAL PURE CONVECTION WITH MESH FILTER |
| OVEN COLORS | SILVER STAINLESS STEEL GRAPHITE STAINLESS STEEL |

OVEN PERFORMANCE

| | |
|--------------------|------------------------------|
| BAKE ELEMENT | 3,000W - 8 PASS |
| BROIL ELEMENT | 4,400W - 10 PASS |
| CONVECTION ELEMENT | 1,300W (EACH - 2,600W TOTAL) |
| STEAM HEATER | 500W |

CONTROL FEATURES - OVEN

| | |
|------------------|-------------------|
| WI FI ON/OFF | YES |
| LANGUAGE OPTIONS | YES |
| CLOCK | YES (12 HR/24 HR) |
| DELAY START | YES |
| KITCHEN TIMER | YES |
| SABBATH MODE | YES |
| LAMP ON/OFF | YES |
| CHILD LOCK | YES |
| OPTIONS | YES |
| ENERGY SAVING | YES |
| DEMO MODE | YES |

CONTROL FEATURES - MICROWAVE

| | |
|---------------|--------------------|
| CLOCK YES | (12 HR/24 HR) |
| KITCHEN TIMER | YES |
| LAMP ON/OFF | YES |
| CHILD LOCK | YES |
| SOUND | YES |
| WI FI | YES (MONITOR ONLY) |



30-INCH COMBI WALL OVEN

OVEN

ADDITIONAL MODES

| | |
|--------------------|-----|
| KEEP WARM | YES |
| PROOF (LOWER TEMP) | YES |
| PROOF | YES |
| PIZZA STONE MODE | YES |
| DEHYDRATE | YES |
| GOURMET COOK | YES |
| INSTANTHEAT™ | YES |
| TEMPERATURE PROBE | YES |

TECHNICAL DETAILS

| | |
|---------------------|-----------|
| CIRCUIT BREAKER (A) | 40 |
| VOLTS (V) | 240 / 208 |
| FREQUENCY (HZ) | 60 |
| ENERGY SOURCE | ELECTRIC |

MICROWAVE

ADDITIONAL MODES

| | |
|------------------------------|-----|
| ADD 30 SECONDS | YES |
| DEFROST | YES |
| AUTO COOK (NO SENSOR) | YES |
| SENSE COOK™ (SENSOR COOK) | YES |
| CONVECTION SEAR AUTO COOK | YES |
| HEALTHY FRY (SLIM FRY) | YES |
| HEALTHY CHOICE (FIT CHOICE) | YES |

TECHNICAL DETAILS

| | |
|-------------|------|
| POWER LEVEL | 950W |
|-------------|------|

MICROWAVE AND OVEN

DIMENSIONS & WEIGHT

| | |
|--|-------------------------------|
| APPLIANCE DIMENSIONS (H X W X D) (IN.) | 43 9/16" X 29 3/4" X 23 1/8" |
| REQUIRED CUTOUT SIZE (H X W X D) (IN.) | 43 11/16" X 30 1/4" X 24 7/8" |
| OVEN CAPACITY (CUBIC FEET) | 4.8 |
| MICROWAVE CAPACITY (CUBIC FEET) | 1.9 |

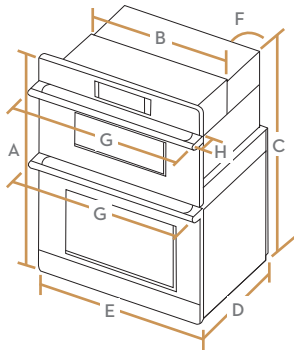
WARRANTY

| | |
|--------------------------|--------|
| LIMITED, PARTS AND LABOR | 1 YEAR |
|--------------------------|--------|

dacor

30-INCH COMBI WALL OVEN

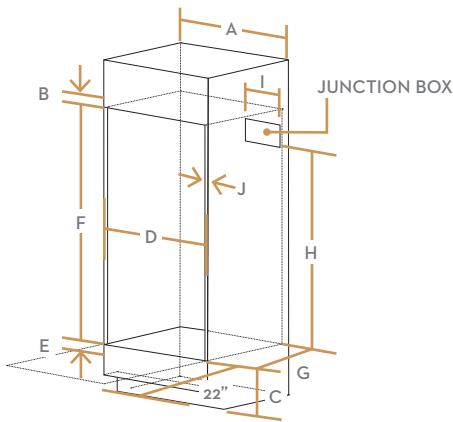
APPLIANCE DIMENSIONS



30"

| | | |
|---|-------------------|------------------------------|
| A | 43 3/8" (110.2CM) | OVERALL HEIGHT |
| B | 28 1/2" (72.4CM) | RECESSED WIDTH |
| C | 42" (106.7CM) | RECESSED HEIGHT |
| D | 23 1/8" (58.7CM) | RECESSED DEPTH |
| E | 29 3/4" (75.6CM) | DOOR WIDTH |
| F | 67" (170CM) | CONDUIT LENGTH |
| G | 30" (76.2CM) | OVERALL WIDTH (HANDLE WIDTH) |
| H | 2 1/4" (5.6CM) | HANDLE DEPTH |

INSTALLATION CUTOUT DIMENSIONS

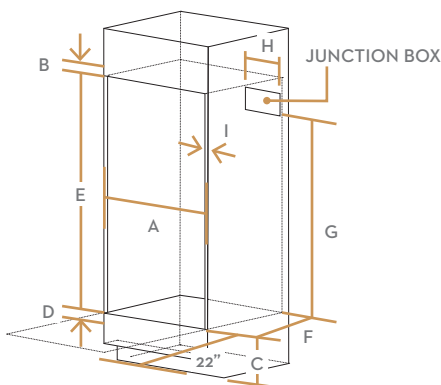


Allow a minimum of 22" for clearance to adjacent corners, drawers, walls, etc. when door is open.

STANDARD CABINET DIMENSIONS

| | |
|---|---|
| A | 30" (76.2CM) |
| B | MIN. 1 3/16" (3.0CM) |
| C | 12" (30.5CM) |
| D | MIN. 28 5/8" / MAX. 28 3/4" (MIN. 72.7CM / MAX. 73.0CM) |
| E | MIN. 1" / MAX. 1 1/4" (MIN. 2.5CM / MAX. 3.2CM) |
| F | 42 1/4" (107.3CM) |
| G | MIN. 23 1/2" (MIN. 59.7CM) |
| H | MIN. 30 1/2" (MIN. 77.5CM) |
| I | MAX. 9 1/2" (MAX. 24.1CM) JUNCTION BOX |
| J | MIN. 11/16" (1.75CM) - WOODEN CABINET THICKNESS |

INSTALLATION CUTOUT DIMENSIONS



FLUSH CABINET DIMENSIONS

| | |
|---|---|
| A | MIN. 30 3/16" / MAX. 30 5/16" (MIN. 76.7CM / MAX. 77.0CM) |
| B | MIN. 1 3/16" (3.0CM) |
| C | 12" (30.5CM) |
| D | MIN. 1" / MAX. 1 1/4" (MIN. 2.5CM / MAX. 3.2CM) |
| E | 43 11/16" (110.9CM) |
| F | MIN. 24 13/16" (MIN. 63.0CM) |
| G | MIN. 30 1/2" (MIN. 77.5CM) |
| H | MAX. 9 1/2" (MAX. 24.1CM) JUNCTION BOX |
| I | MIN. 11/16" (1.75CM) - WOODEN CABINET THICKNESS |