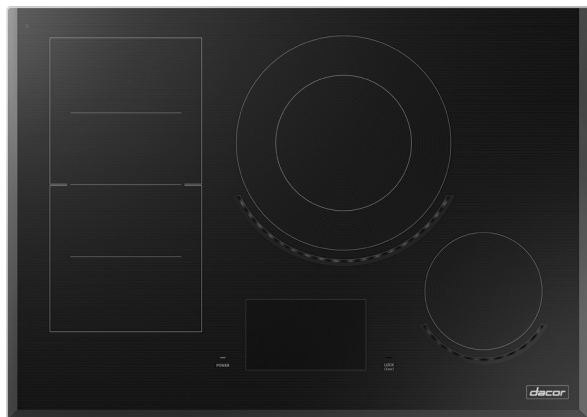


# 30-Inch Induction Cooktop with LCD Touchscreen

**\$3,799**

**dacor**



**DT130M977BB/DA** - Black Glass

## Features & Benefits

- VirtualFlame™
- FlexZone®
- 7-inch LCD control panel with SmartThings Wi-Fi connectivity
- Chef Mode guided cooking
- Auto Connect to compatible ventilation through Bluetooth
- Residual heat indicator
- Ceramic glass

## Controls

<b>CONTROL TYPE</b>	7" LCD Touchscreen
<b>CHEF MODE GUIDED COOKING</b>	Yes
<b>WI-FI + SMARTTHINGS</b>	Yes
<b>BLUETOOTH AUTO CONNECT VENTILATION</b>	Yes
<b>RESIDUAL HEAT INDICATOR</b>	Yes, 2 Stages
<b>POWER ON/OFF</b>	Yes
<b>PAUSE</b>	Yes
<b>KITCHEN TIMER</b>	Yes
<b>CHILD LOCK</b>	Yes

## Cooktop

<b>COOKING ZONES</b>	4
<b>LEFT FRONT (W)</b>	1,800 (2,600 Boost)
<b>LEFT REAR (W)</b>	1,800 (2,600 Boost)
<b>CENTER (W)</b>	3,600 (4,800 Boost)
<b>RIGHT FRONT (W)</b>	1,800 (2,600 Boost)
<b>POWER LEVELS</b>	9 + Boost (0.1 Increments)
<b>FLEXZONE®</b>	Yes
<b>MELT &amp; SIMMER</b>	Yes
<b>VIRTUAL FLAME™</b>	Yes
<b>AUTO PAN DETECTION</b>	Yes

## Weights & Dimensions

<b>NET WEIGHT (LBS.)</b>	52
<b>SHIPPING WEIGHT (LBS.)</b>	59.3
<b>PRODUCT DIMENSIONS (W x H x D IN INCHES)</b>	30 x 3 1/8 x 21 1/4
<b>CUTOUT REQUIRED (W x D IN INCHES)</b>	28 1/2 to 28 1/16 x 19 1/16 to 19 5/8

## Technical Details

<b>ELECTRICAL REQUIREMENTS</b>	208/240V, 60 Hz, 40A
--------------------------------	----------------------

## Warranty

<b>FULL COVERAGE</b>	2 Years
----------------------	---------

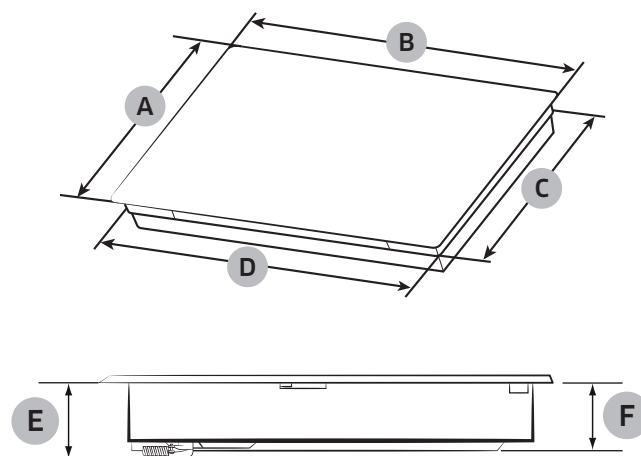
# 30-Inch Induction Cooktop with LCD Touchscreen

**dacor**

**\$3,799**

## Product Dimensions

<b>A - FRAME DEPTH (IN/MM)</b>	21 ¼ / 540
<b>B - FRAME WIDTH (IN/MM)</b>	30 / 762
<b>C - CASE DEPTH (IN/MM)</b>	19 ½ / 494.6
<b>D - CASE WIDTH (IN/MM)</b>	28 ¾ / 720
<b>E - CONDUIT CASE HEIGHT (IN/MM)</b>	4 / 101
<b>F - CASE HEIGHT (IN/MM)</b>	3 ⅝ / 80.5



## Installation Cutout Dimensions

<b>A - (IN/MM)</b>	28 ½ - 28 ⅞ / 724 - 728
<b>B - (IN/MM)</b>	19 ⅞ - 19 ⅝ / 497.4 - 499.4
<b>C - MIN (IN/MM)</b>	1 ⅞ / 28
<b>D - MIN (IN/MM)</b>	1 ½ / 38
<b>E - MIN (IN/MM)</b>	1 / 26
<b>F - MIN (IN/MM)</b>	10 / 254
<b>G - (IN/MM)</b>	15 / 381

