

# 36-Inch Gas Range

## CONTEMPORARY

**dacor**



**DOP36M96GLS/DA** - Silver Stainless, Natural Gas/Liquid Propane  
**DOP36M96GLM/DA** - Graphite Stainless, Natural Gas/Liquid Propane

### Features & Benefits

- Double ceramic infrared broiler
- Precise control with 5 °F increments
- Dual three-part convection system
- SimmerSear™ brass burners
- BrightVue™ LED & halogen lighting
- Motorized 7-inch LCD control panel with SmartThings Wi-Fi connectivity
- Chef Mode guided cooking
- Auto Connect to compatible ventilation through Bluetooth
- Digital temperature probe
- Self-clean oven
- SoftShut™ hinges
- LP conversion Kit

### Controls

<b>CONTROL TYPE</b>	7" Motorized LCD Touchscreen & Knobs
<b>CHEF MODE GUIDED COOKING</b>	Yes
<b>ILLUMINA™ KNOBS</b>	White
<b>WI-FI + SMARTTHINGS</b>	Yes
<b>BLUETOOTH AUTO CONNECT™ VENTILATION</b>	Yes
<b>CONTROL SHOWER LIGHTING</b>	Yes
<b>CLOCK</b>	Yes
<b>DELAY START</b>	Yes
<b>KITCHEN TIMER</b>	Yes
<b>CHILD LOCK</b>	Yes
<b>SABBATH MODE</b>	Yes

### Oven

<b>OVEN CAPACITY (CU. FT.)</b>	5.4
<b>CONVECTION</b>	Dual Three-Part
<b>BAKE BURNER</b>	25,000 BTU
<b>BROIL BURNER</b>	18,000 BTU
<b>TEMPERATURE PROBE</b>	Yes
<b>LIGHTING</b>	BrightVue™ - LED & Halogen
<b>SELF-CLEAN</b>	Self-Clean, GreenClean™
<b>SOFTSHUT™</b>	Yes

### Cooktop

<b>NUMBER OF BURNERS</b>	6
<b>PERMA-FLAME™ (AUTO RE-IGNITION)</b>	Yes
<b>LEFT FRONT (BTU)</b>	22,000
<b>LEFT REAR (BTU)</b>	18,000
<b>CENTER FRONT (BTU)</b>	18,000
<b>CENTER REAR (BTU)</b>	18,000
<b>RIGHT FRONT (BTU)</b>	22,000
<b>RIGHT REAR (BTU)</b>	18,000
<b>BRASS BURNER CAPS</b>	Yes
<b>GRIDDLE</b>	Sold Separately
<b>WOK RING</b>	Yes

### Weights & Dimensions

<b>NET WEIGHT (LBS.)</b>	469
<b>SHIPPING WEIGHT (LBS.)</b>	444
<b>PRODUCT DIMENSIONS (W x H x D IN INCHES)</b>	35 7/8 x 36 1/2 x 29

### Technical Details

<b>ELECTRICAL REQUIREMENT</b>	120V, 60 Hz, 20A
<b>AVAILABLE FUEL TYPES</b>	Natural Gas, Liquid Propane
<b>LP CONVERSION KIT (INCLUDED)</b>	Yes

### Warranty

<b>FULL COVERAGE</b>	2 Years
----------------------	---------

### Accessories (Optional)

<b>ARG36</b>	Griddle for 36" Pro-Range & Rangetop
--------------	--------------------------------------

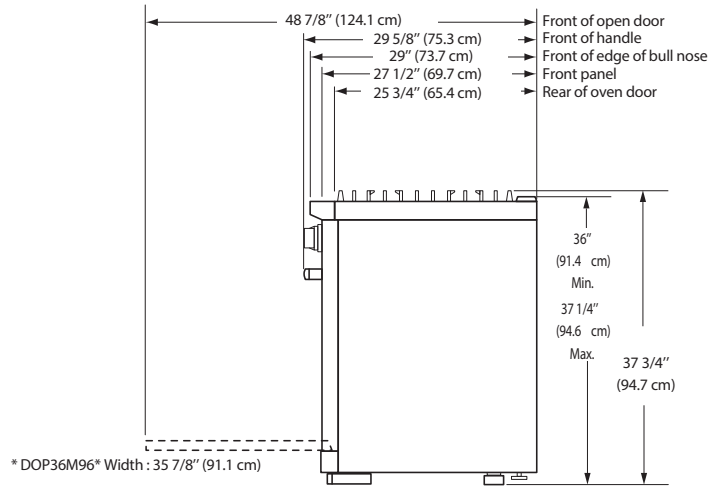
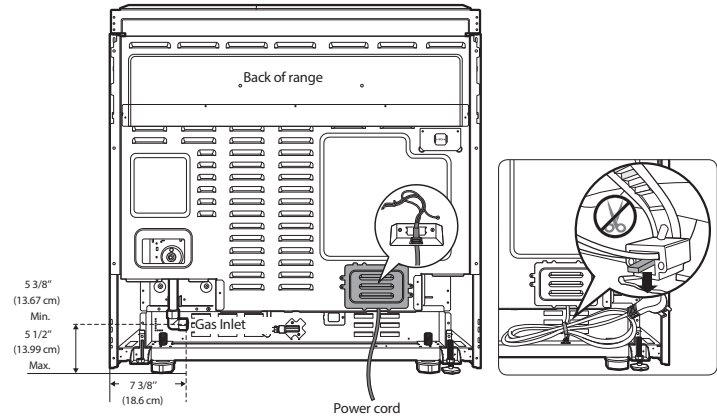
# 36-Inch Gas Range

## CONTEMPORARY



### Product Dimensions

<b>WIDTH (IN/CM)</b>	35 7/8 / 91.1
----------------------	---------------



### Installation Cutout Dimensions

<b>A - WIDTH (IN/CM)</b>	36 / 91.4 MINIMUM 42 / 106.7 RECOMMENDED
<b>B - WIDTH (IN/CM)</b>	36 / 91.4

