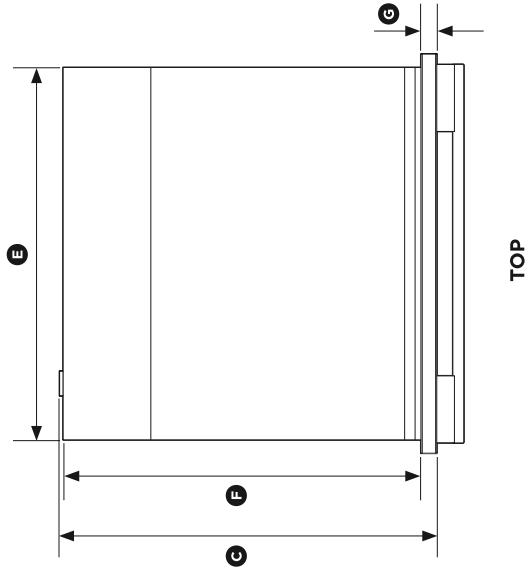


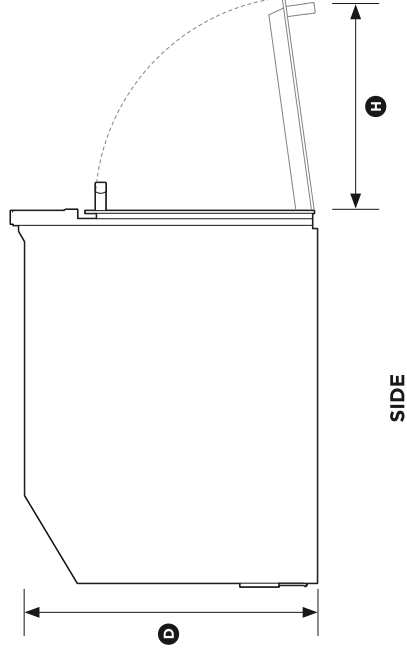


<b>Selected Model</b>	
Model number	OM24NDB1
<b>New Product</b>	
Available	January 2021
<b>Exterior Appearance</b>	
Color	Black vitrified glass with Brushed stainless steel accent
Design Style	Contemporary
<b>Dimensions</b>	
Overall Height (in.)	18 1/16"
Overall Width (in.)	23 1/2"
Depth (in.)	22 1/8"
<b>Features</b>	
Configuration	Single Oven
Cooking Technology	Convection
Control Type	Electronic touchscreen Display
Broil	1500W
Shelf positions	3
Interior Lighting	1 halogen 25W lightbulb
Cooking Modes	9
Element fan power	1500W
Gril Power	1500W
Microwave power	900W
Microwave power levels	6
<b>Capacity</b>	
Oven Capacity	1.3 cu. ft
<b>Trim Kit (Optional)</b>	
Contemporary trim kit	TK30NDB1
	TK30NDBB1 (Black)
Linear multiple product trim kit	TK480NDB1
<b>Electrical Requirements</b>	
Volts; Hertz; Amps	120/240V 4 strands wire 240V; 60Hz; 15Amp
<b>Accessories (Included)</b>	
Baking pan & glass turntable	Included
<b>Accessories (optionnal)</b>	
Round SS handle	AHS-OBDD-60S ( Contemporary 24")
Thin Handle	AHD5-OBDD60SB ( Contemp 24"Thin black (1)) AHD5-OBDD60SX (Contemp thin aluminum 24")
<b>Warranty</b>	
2 Year Full Warranty	Entire Appliance, In-Home, Parts & Labour

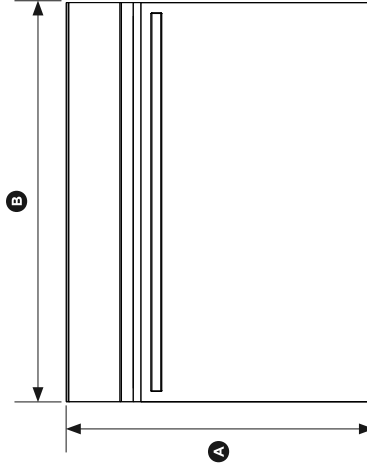
## 4. PRODUCT DIMENSIONS



TOP



SIDE

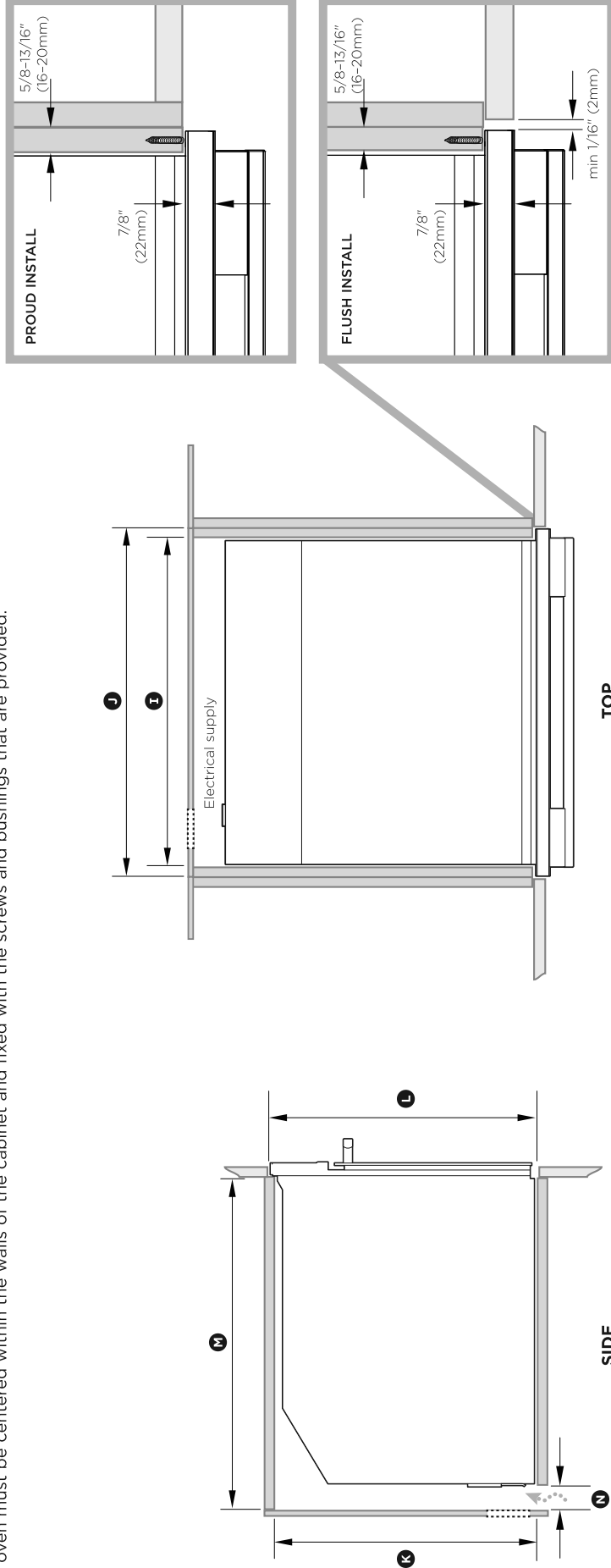


FRONT

PRODUCT DIMENSIONS	OM24N MODELS	
	inches (mm)	
(A) Overall height of product	18" (458)	
(B) Overall width of product	23 7/16" (596)	
(C) Overall depth of product (excluding handle and dials)	22 1/8" (562)	
(D) Height of chassis	17 1/2" (445)	
(E) Width of chassis	21 7/8" (556)	
(F) Depth of chassis	21 1/4" (540)	
(G) Depth of oven frame and control panel (=distance between front of chassis and front of oven door, excl. knobs)	7/8" (22)	
(H) Depth of oven door when fully open (measured from front of control panel)	12 5/8" (320)	

## 5 A CABINETY DIMENSIONS (18 1/8" (460mm) HIGH CAVITY)

- The oven can be installed under a cooktop, in a column, or combined with the companion warmer drawer.
- The cabinet material must be able to withstand heat.
- The oven must be centered within the walls of the cabinet and fixed with the screws and bushings that are provided.



### CABINETY DIMENSIONS

	OM24N MODELS
	inches (mm)
I	Minimum inside width of cavity 22 1/16" (560)
J	Overall width of cabinetry 23 5/8" (600)
K	Minimum inside height of cavity 17 3/4" (450)
L	Overall height of cabinetry 18 1/8" (460)
M	Minimum inside depth of cavity 22 1/16" (560)
N	Ventilation air vent 2" (50)

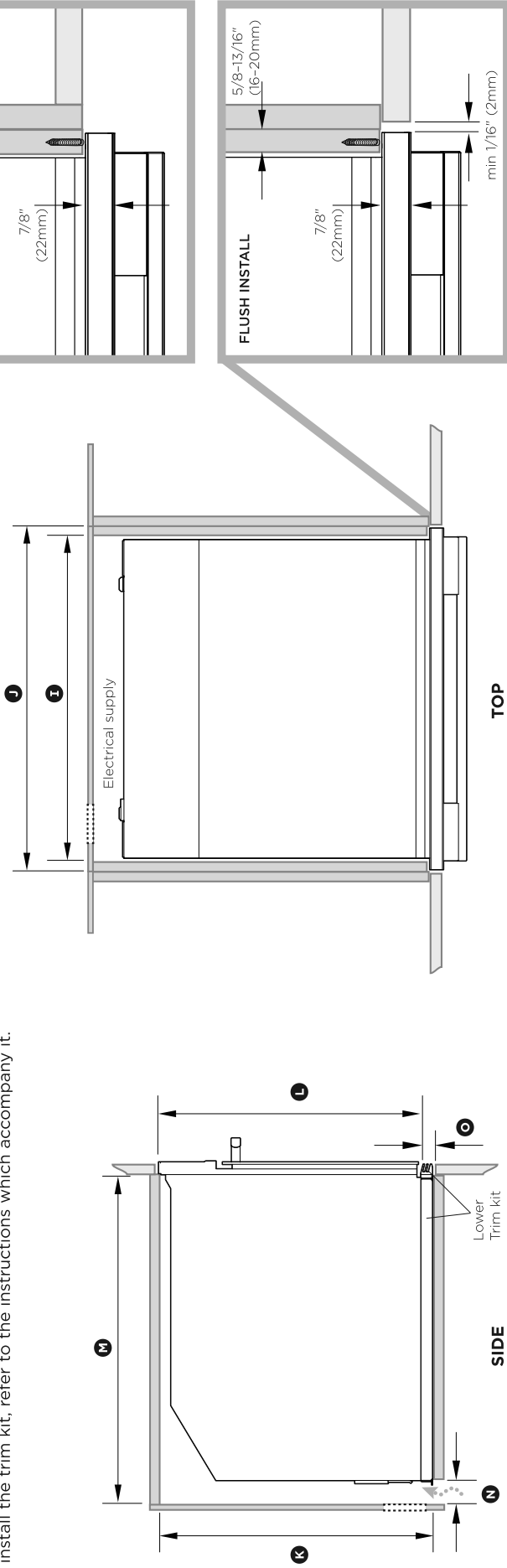
Note: If installing a cooktop above the oven, ensure adequate clearance is provided for the cooktop as per the cooktop manufacturer's instructions.

## 5 B CABINERY DIMENSIONS (18 7/8" (480mm) CAVITY TRIM KIT)

- The oven must be installed under a cook top, in a column, or combined with the companion warmer drawer.
- The cabinetry material must be able to withstand heat.
- The oven must be centred within the walls of the cabinet and fixed with the screws and bushings that are provided.

### Lower Trim Kit

The Lower Trim kit shown is available to order separately from [fisherpaykel.com](http://fisherpaykel.com). To install the trim kit, refer to the instructions which accompany it.



### CABINERY DIMENSIONS

#### OM24N MODELS

	inches (mm)
I Minimum inside width of cavity	22 1/16" (560)
J Overall width of cabinetry	23 5/8" (600)
K Minimum inside height of cavity	18 1/2" (470)
L Overall height of cabinetry	18 7/8" (480)
M Minimum inside depth of cavity	22 1/16" (560)
N Ventilation air vent	2" (50)
O Height of trim kit	13/16" (20)

Note: If installing a cooktop above the oven, ensure adequate clearance is provided for the cooktop as per the cooktop manufacturer's instructions.