



| | |
|---|---|
| Selected Model | |
| Model number | OR36SDG4X1 |
| Exterior Appearance | |
| Color Appearance | Stainless Steel |
| Design Style | European |
| Grates | Robust Cast-iron |
| Features | |
| Configuration | 5 Burners |
| Energy type | Gas |
| Cooktop Burners | Sealed |
| Fuel Type | Natural Gas (NG) or Propane (LP) |
| Control Location | Upfront |
| Control Type | Rotative Knobs |
| Interior light | 4 x 25W Halogen (2 side & 2 top) |
| Storage drawer | Oui |
| Capacity | |
| Oven Capacity | 4.9 cu.ft |
| Cooktop Features | |
| Ignition System | Flame Failure |
| Cooktop Surface | Stainless Steel |
| Oven Features | |
| Convection Technology | Traditional Convection |
| Bake Burner | 14 000 BTU |
| Electronic Timer and Programmer | Yes |
| Oven Cleaning Type | Manual |
| Oven Modes | 3 |
| Oven Rack | 3 - (2) sliding shelves |
| Shelves Positions | 7 |
| Oven door features | Quadruple glazed cool touch door |
| Beneath Oven Cavity | Storage |
| Removable door and glasses | No |
| Installation | |
| Installation Type | Built-in (Flush with the Cabinets) or Free Standing |
| Burner ratings | |
| Triple Ring Burners (X2) | 6100 - 14000 BTU |
| Double Burner | 1000-18000 BTU (Intérieur-extérieur) |
| Total BTU capacity | 62000 BTU |
| Exterior Dimensions | |
| Overall Height (in.) | 35 3/4" - 37 1/4" |
| Overall Width (in.) | 35 7/8" |
| Overall Depth (in.) | 25 1/4" |
| Oven Cavity Dimensions | |
| Height (in.) | 13" |
| Width (in.) | 25 1/8" |
| Depth (in.) | 16" |
| Oven Rack Dimension | |
| Width (in.) | 24" |
| Depth (in.) | 14 1/2" |
| Electrical Requirements | |
| Volts; Hertz; Amps | 120V; 60Hz; 0.92 Amp |
| Accessories (Included) | |
| Wok Stand | Included |
| Backsplash (2") | Included |
| Rotisserie Pan | Included |
| LP Conversion Kit | Included |
| Accessories (optionnal) | |
| Tall Backguard (Height 2 in. - Depth 3 5/16") | #88668 |
| Island Trim (Height 7/8" - Depth 3 5/16") | #88667 |
| Island Trim (Flush) | FIT30SS |
| Kickplate 36" | KICKOR36X1 (Classic & Contemp SS) |
| Trim kit | TKOR364X1 (Classic et Contemp- Gas) |
| Warranty | |

FISHER & PAYKEL

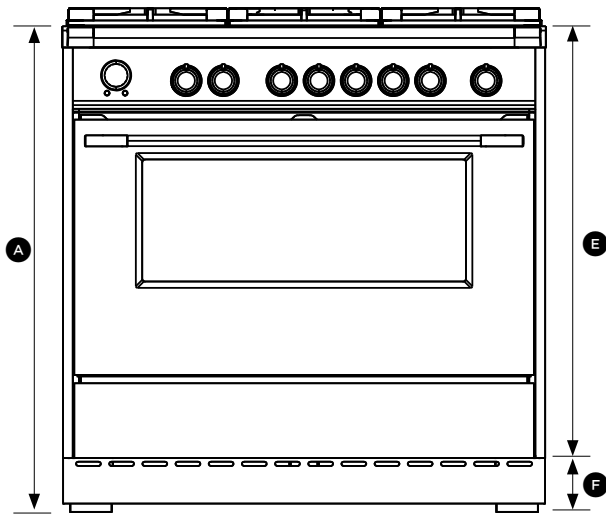
OR36SDG4X1
36" Gas Range

2 Years full warranty

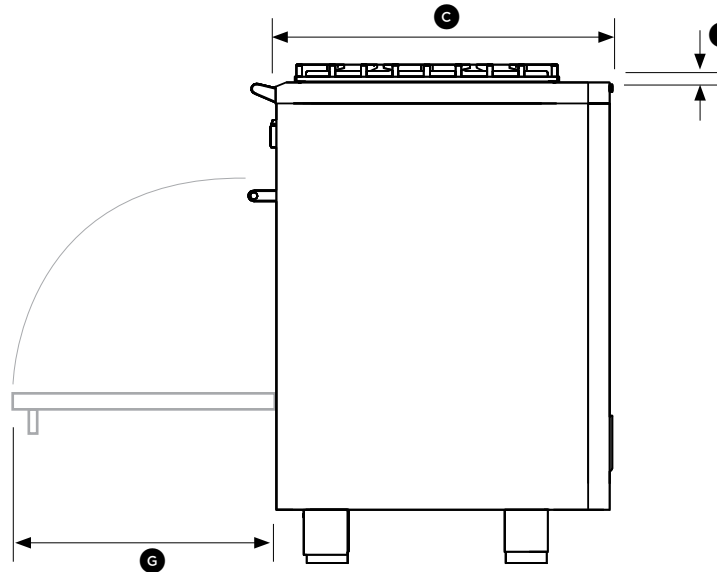
Entire Appliance, In-Home Parts & Labour

6 PRODUCT DIMENSIONS

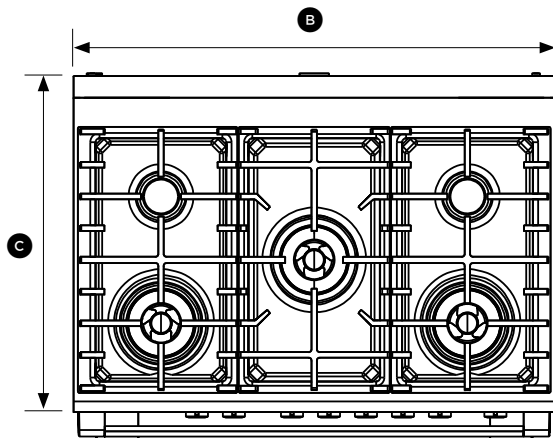
NOTE: Model features may vary
Optional kickstrip is available (purchased separately)



FRONT



SIDE

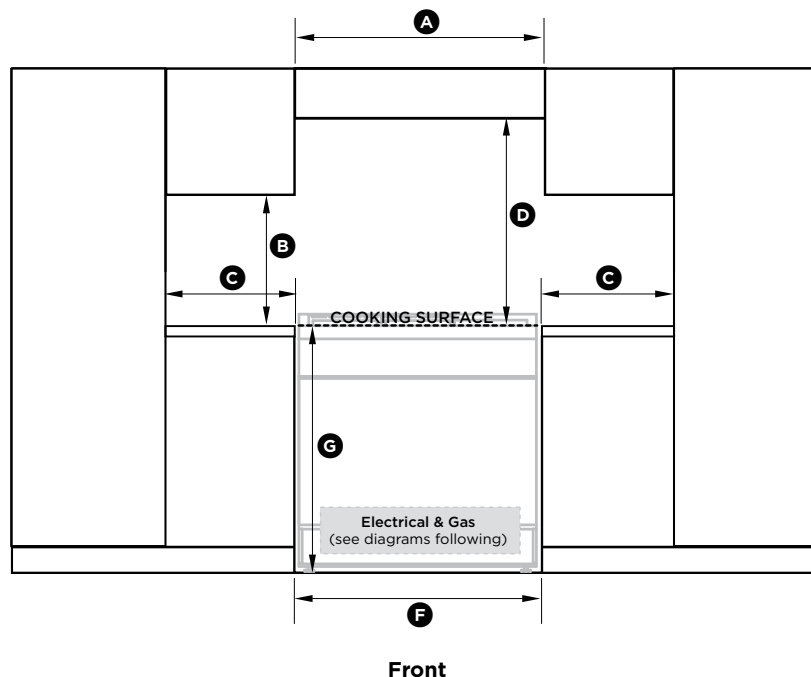
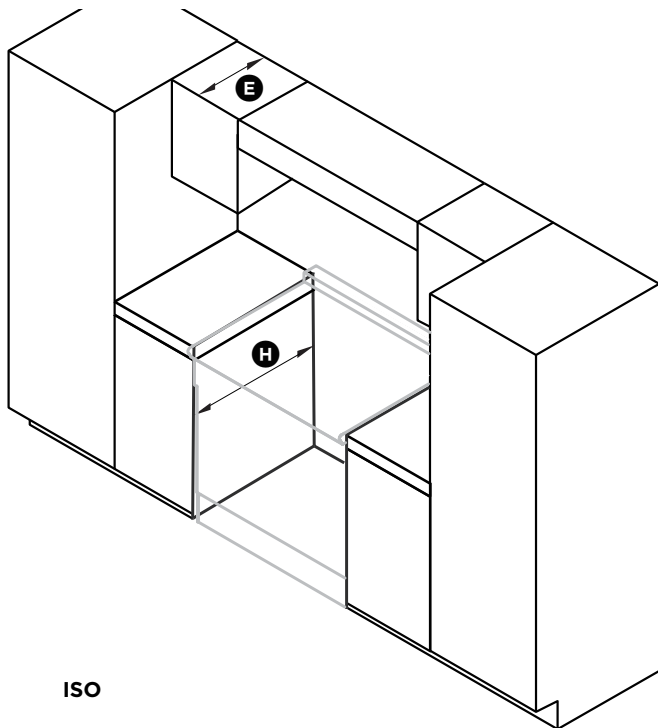


TOP

PRODUCT DIMENSIONS

| PRODUCT DIMENSIONS | OR36S GAS GAS | OR36S DUAL FUEL |
|--|---|---|
| | inches (mm) | inches (mm) |
| (A) Overall height of range (from floor to top of cooktop, excluding grates and island trim/backguard) | min. 35 3/8" (898) max 37 1/4" (946) | min. 35 3/8" (898) max 37 1/4" (946) |
| (B) Overall width of range | 35 7/8" (911) | 35 7/8" (911) |
| (C) Overall depth of range (from front of range to rear of island trim/backguard, excluding handles and dials) | 25 1/4" (641) | 25 1/4" (641) |
| (D) Height from top of cooktop to top of - Island trim (fitted) - Backguard (optional) | 7/8" (22) 3" (76) | level with cooktop 3" (76) |
| (E) Height of chassis (excluding adjustable feet) | 32" (813) | 32" (813) |
| (F) Adjustable feet height | min 3 3/8" (85) max 5 1/4" (133) | min 3 3/8" (85) max 5 1/4" (133) |
| (G) Depth of open door to front of range | 17 3/4" (451) | 17 3/4" (451) |

7 CLEARANCE DIMENSIONS



Note

#1 To eliminate the risk of burns or fire by reaching over heated surface units, cabinet storage space located above the surface units should be avoided. If cabinet storage is to be provided, the risk can be reduced by installing a rangehood that projects horizontally a minimum of 5" (127mm) beyond the bottom of the cabinets.

#2 **D**=36" (914mm) minimum clearance between the top of the cooking surface and the bottom of an unprotected wood or metal cabinet; or **D**=30" (762mm) minimum when bottom of wood or metal cabinet is protected by not less than 1/4"-thick flame retardant millboard covered with not less than No. 28 MSG sheet steel, 0.015"-thick stainless steel, 0.024"-thick aluminum, or 0.020"-thick copper.

Note

- This range may be installed directly adjacent to existing 36" (914mm) high base cabinets.
- If the range is to be placed adjacent to cabinets, the clearances shown are required. The same clearances apply to island installations.
- The range can be placed in various positions with respect to the cabinet front, with the control panel either flush or projecting, depending on the cabinetry depth.
- The electrical and gas supply should be within the zones shown in the following diagrams.
- Any openings in the wall behind the range and in the floor under the range must be sealed.
- Always keep the appliance area clear and free from combustible materials, gasoline and other flammable vapors and liquids.
- Do not obstruct the flow of combustion and ventilation air to the unit.

| CLEARANCE DIMENSIONS | OR36S GAS GAS | OR36S DUAL FUEL |
|--|-------------------------------------|-------------------------------------|
| | inches (mm) | inches (mm) |
| A Minimum width of ventilation hood installed above range | 36" (914) | 36" (914) |
| B Minimum vertical distance between countertop and cabinet extending above counter | 18" (457) | 18" (457) |
| C Minimum clearance from left and right edge of range to nearest vertical combustible surface | 11 13/16" (300) | 11 13/16" (300) |
| D Minimum clearance from cooking surface to: - Overhead cabinet centered above the cooktop (combustible/unprotected)* - see notes #1, #2 - Overhead cabinet centered above the cooktop (non-combustible/protected)* - see notes #1, #2 - Ventilation hood** centered above the cooking surface | 36" (914) 30" (762) 30" (762) | 36" (914) 30" (762) 30" (762) |
| E Maximum depth of overhead cabinetry | 13" (330) | 13" (330) |
| F Width of cabinetry opening | 36" (914) | 36" (914) |
| G Maximum height of cabinetry immediately adjacent to the range (from floor to countertop)*** | 37 1/2" (953) | 37 1/2" (953) |
| H Maximum depth from wall to cabinetry face | 25 1/4" (641) | 25 1/4" (641) |

* Non-combustible surfaces: as defined in 'National Fuel Gas Code' (ANSI Z223.1, Current Edition). Clearances from non-combustible materials are not part of the ANSI Z21.1 scope and are not certified by UL.

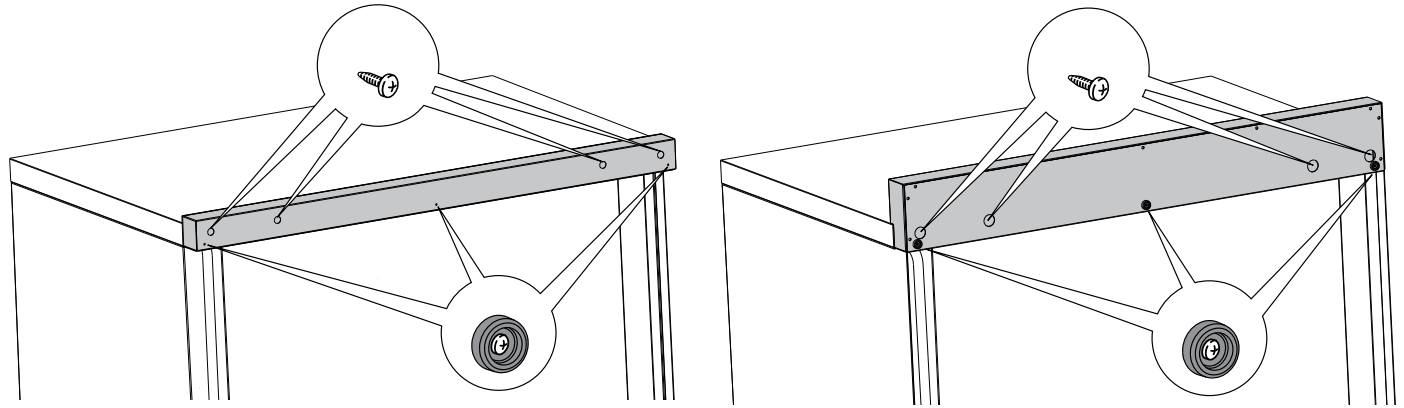
** Refer to local/national codes for ventilation requirements.

*** Depending on the height of the feet adjustment. The cooking surface must sit flush or above countertop level.

8 FITTING THE OPTIONAL BACKGUARD

Island trim and backguard

- It is mandatory to install and use the appliance with either the island trim or the optional backguard correctly in place.
- The island trim is already fitted to the appliance while the backguard can be purchased as a separate kit.
- If replacing the island trim with the backguard, assemble it by using the same screws/spacers used for fixing the island trim.



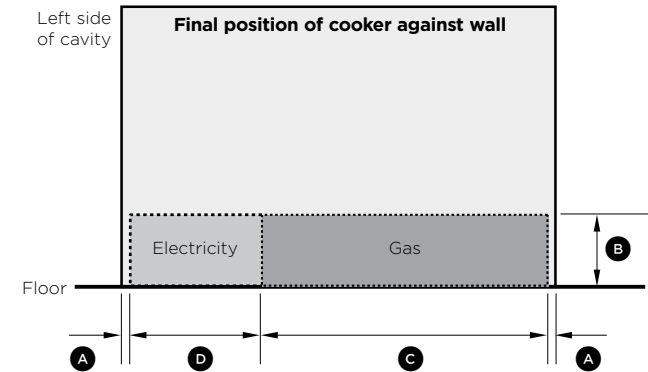
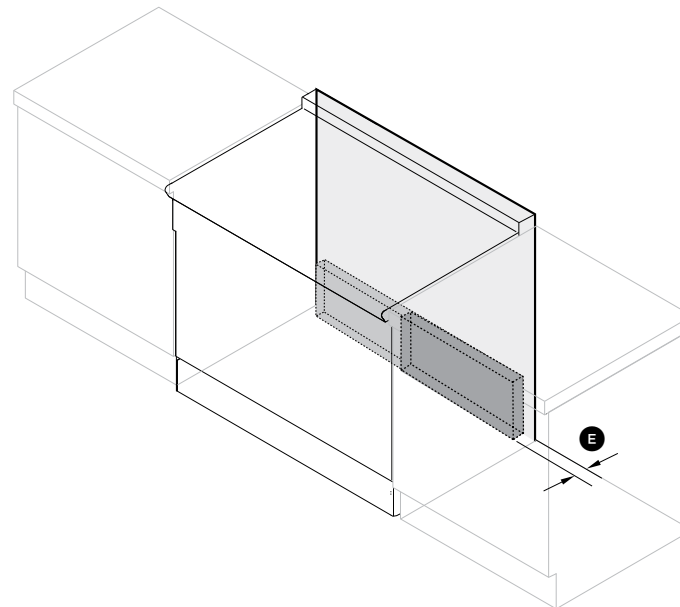
9 LOCATION OF ELECTRICAL & GAS SUPPLY

Grounded outlet (Gas Gas)

- The electric cord with 3-prong ground plug (NEMA 5-15P) has a length of 72" (1830mm).

Grounded outlet (Dual Fuel)

- The electric cord with 4-prong ground plug (NEMA 14-50P) shall have a minimum length of 48" (1220mm) beyond the back of the range.



| SUPPLY AREA DIMENSIONS | | inches (mm) |
|------------------------|---|------------------------------|
| (A) | Distance from either edge of Range to supply area | 1/4" (6) |
| (B) | Height of supply area (from floor) | 8 1/8" - 10 1/8" (207-257) * |
| (C) | Width of gas supply area | 23 9/16" (599) |
| (D) | Width of electrical supply area | 11 13/16" (300) |
| (E) | Depth of supply area (ie maximum protrusion of gas and electrical connection from wall) | 4 1/2" (115) |

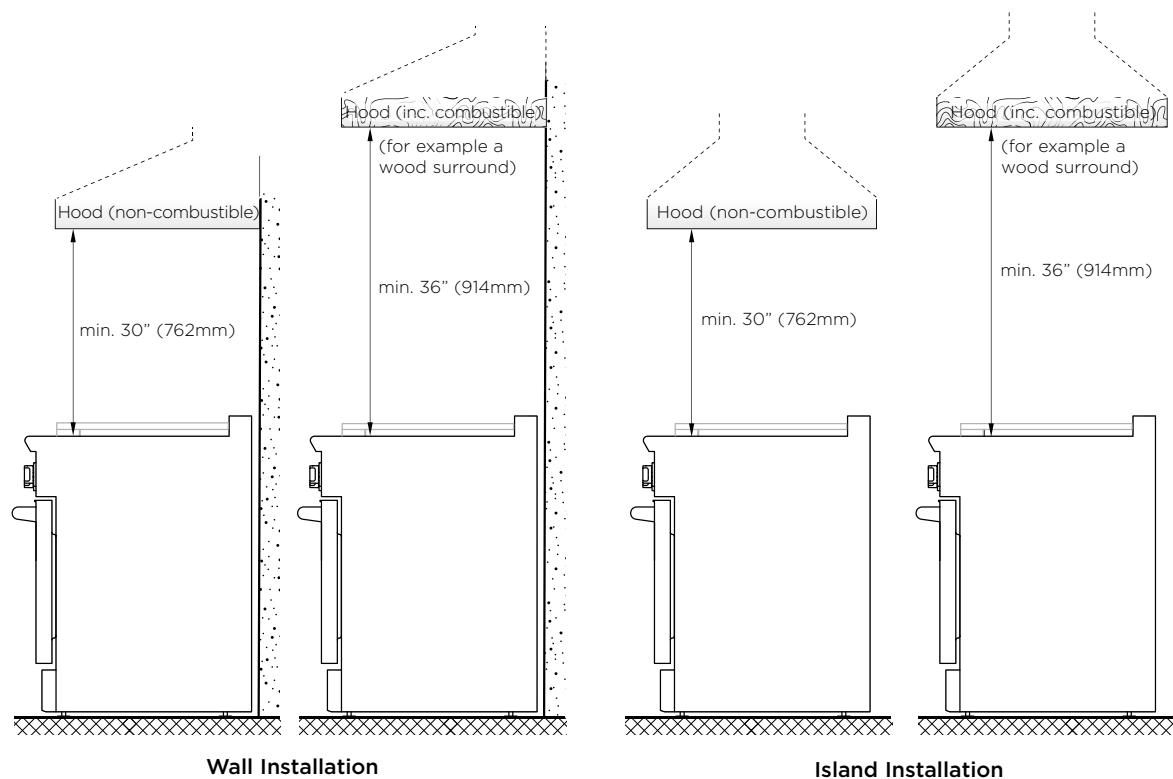
* Depending on adjustment of feet

10 VENTILATION REQUIREMENTS

A suitable ventilation hood may be installed above the range.

Fisher & Paykel has a choice of ventilation hoods designed to match the rest of our kitchen appliance family.

See fisherpaykel.com or your local dealer for more details.



IMPORTANT

- Consult local building codes and/or local agencies, before starting, to ensure that hood and duct installation will meet local requirements.
- Hood blower speeds should be variable to reduce noise and loss of heated or air conditioned household air when maximum ventilation is not required. Normally, the maximum blower speed is only required when using the grill or the self-cleaning cycle.
- If a custom hood canopy contains any **combustible materials** (eg a wood covering) it must be a minimum of 36" (914mm) above the cooking surface.
- Due to a high volume of ventilation air, a source of make-up air (outside replacement air) that complies with local codes and regulations is required.