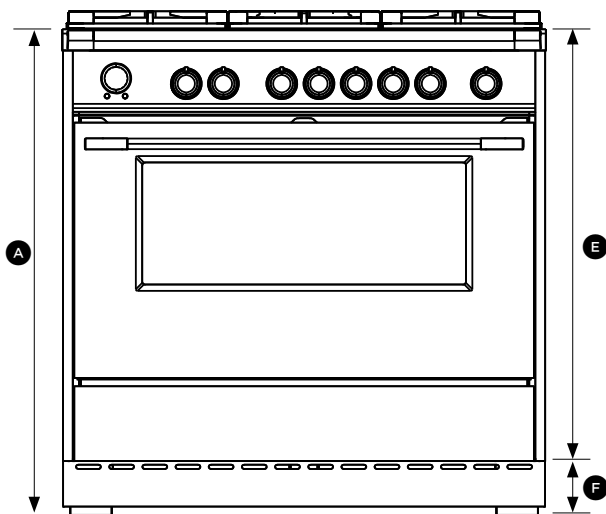




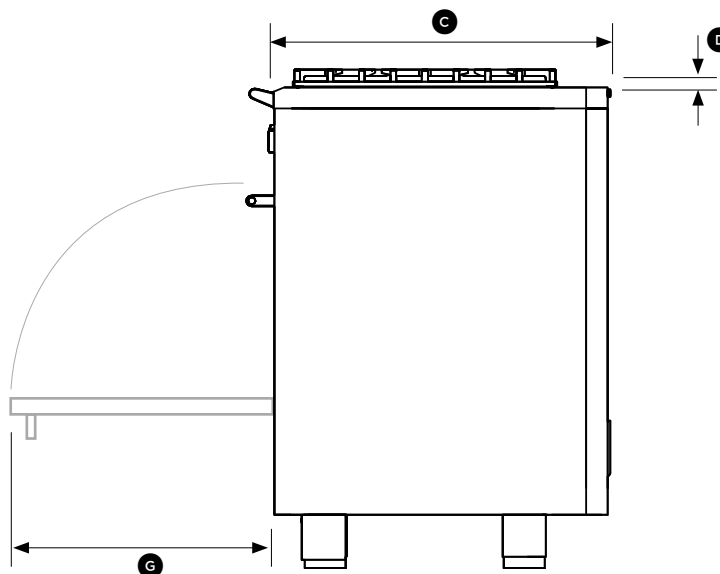
Exterior Appearance	
Color Appearance	Stainless Steel
Design Style	European
Grates	Robust Cast-iron
Features	
Configuration	4 Burners
Energy type	Gas
Cooktop Burners	Sealed
Fuel Type	Natural Gas (NG) or Propane (LP)
Control Location	Upfront
Control Type	Rotative Knobs
Capacity	
Oven Capacity	3.6 cu.ft.
Cooktop Features	
Ignition System	Flame Failure
Cooktop Surface	Stainless Steel
Oven Features	
Convection Technology	Traditional Convection
Bake Burner	14 000 BTU
Electronic Timer and Programmer	Yes
Oven Cleaning Type	Manual
Oven Modes	7
Broil Element	11 000 BTU
Oven Rack	3 - (2) sliding shelves
Shelves Positions	4
Oven door features	Cool Touch Triple Glazed Door
Beneath Oven Cavity	Storage
Removable door and glasses	No
Installation	
Installation Type	Built-in (Flush with the Cabinets) or Free Standing
Burner ratings	
High Performance Double Burner	2 x 17000 BTU Dual wok burner
Flexible Burners	2 x 8000 BTU
Exterior Dimensions	
Overall Height (in.)	35 5/8" - 36 3/8"
Overall Width (in.)	29 7/8"
Overall Depth (in.)	24 1/4"
Oven Cavity Dimensions	
Height (in.)	13"
Width (in.)	25 1/8"
Depth (in.)	16"
Oven Rack Dimension	
Width (in.)	24"
Depth (in.)	14 1/2"
Electrical Requirements	
Volts; Hertz; Amps	120V; 60Hz; 0.92 Amp
Accessories (Included)	
Wok Stand	Included
Backsplash (2")	Included
Rotisserie Pan	Included
LP Conversion Kit	Included
Accessories (optional)	
Tall Backguard (Height 2 in. - Depth 3 5/16")	#88668
Island Trim (Height 7/8" - Depth 3 5/16")	#88667
Island Trim (Flush)	FIT30SS
Warranty	
2 Years full warranty	Entire Appliance, In-Home Parts & Labour

6 PRODUCT DIMENSIONS

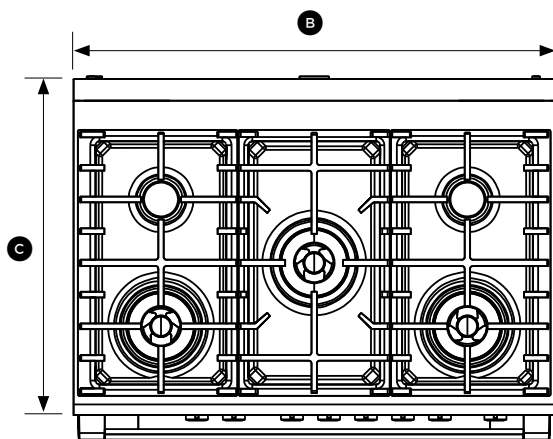
NOTE: Model features may vary
Optional kickstrip is available (purchased separately)



FRONT



SIDE

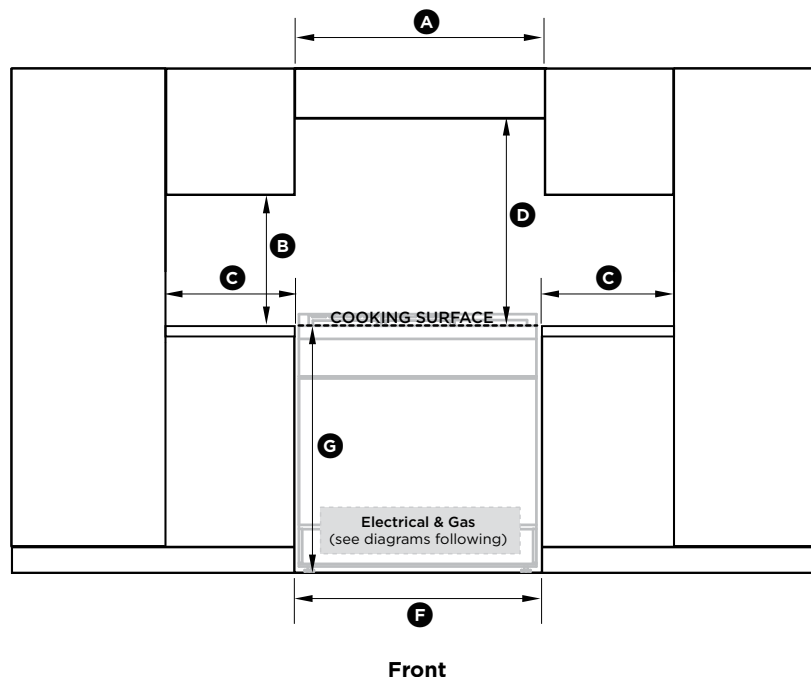
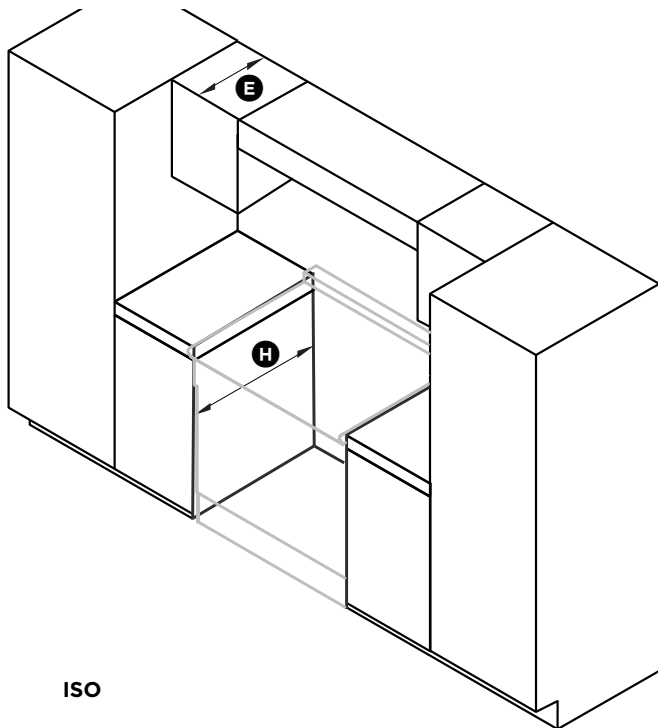


TOP

PRODUCT DIMENSIONS

PRODUCT DIMENSIONS	OR36S GAS GAS	OR36S DUAL FUEL
	inches (mm)	inches (mm)
(A) Overall height of range (from floor to top of cooktop, excluding grates and island trim/backguard)	min. 35 3/8" (898) max 37 1/4" (946)	min. 35 3/8" (898) max 37 1/4" (946)
(B) Overall width of range	35 7/8" (911)	35 7/8" (911)
(C) Overall depth of range (from front of range to rear of island trim/backguard, excluding handles and dials)	25 1/4" (641)	25 1/4" (641)
(D) Height from top of cooktop to top of - Island trim (fitted) - Backguard (optional)	7/8" (22) 3" (76)	level with cooktop 3" (76)
(E) Height of chassis (excluding adjustable feet)	32" (813)	32" (813)
(F) Adjustable feet height	min 3 3/8" (85) max 5 1/4" (133)	min 3 3/8" (85) max 5 1/4" (133)
(G) Depth of open door to front of range	17 3/4" (451)	17 3/4" (451)

7 CLEARANCE DIMENSIONS



Note

#1 To eliminate the risk of burns or fire by reaching over heated surface units, cabinet storage space located above the surface units should be avoided. If cabinet storage is to be provided, the risk can be reduced by installing a rangehood that projects horizontally a minimum of 5" (127mm) beyond the bottom of the cabinets.

#2 **D**=36" (914mm) minimum clearance between the top of the cooking surface and the bottom of an unprotected wood or metal cabinet; or **D**=30" (762mm) minimum when bottom of wood or metal cabinet is protected by not less than 1/4"-thick flame retardant millboard covered with not less than No. 28 MSG sheet steel, 0.015"-thick stainless steel, 0.024"-thick aluminum, or 0.020"-thick copper.

Note

- This range may be installed directly adjacent to existing 36" (914mm) high base cabinets.
- If the range is to be placed adjacent to cabinets, the clearances shown are required. The same clearances apply to island installations.
- The range can be placed in various positions with respect to the cabinet front, with the control panel either flush or projecting, depending on the cabinetry depth.
- The electrical and gas supply should be within the zones shown in the following diagrams.
- Any openings in the wall behind the range and in the floor under the range must be sealed.
- Always keep the appliance area clear and free from combustible materials, gasoline and other flammable vapors and liquids.
- Do not obstruct the flow of combustion and ventilation air to the unit.

CLEARANCE DIMENSIONS	OR36S GAS GAS	OR36S DUAL FUEL
	inches (mm)	inches (mm)
Ⓐ Minimum width of ventilation hood installed above range	36" (914)	36" (914)
Ⓑ Minimum vertical distance between countertop and cabinet extending above counter	18" (457)	18" (457)
Ⓒ Minimum clearance from left and right edge of range to nearest vertical combustible surface	11 13/16" (300)	11 13/16" (300)
Ⓓ Minimum clearance from cooking surface to: - Overhead cabinet centered above the cooktop (combustible/unprotected)* - see notes #1, #2 - Overhead cabinet centered above the cooktop (non-combustible/protected)* - see notes #1, #2 - Ventilation hood** centered above the cooking surface	36" (914) 30" (762) 30" (762)	36" (914) 30" (762) 30" (762)
Ⓔ Maximum depth of overhead cabinetry	13" (330)	13" (330)
Ⓕ Width of cabinetry opening	36" (914)	36" (914)
Ⓖ Maximum height of cabinetry immediately adjacent to the range (from floor to countertop)***	37 1/2" (953)	37 1/2" (953)
Ⓗ Maximum depth from wall to cabinetry face	25 1/4" (641)	25 1/4" (641)

* Non-combustible surfaces: as defined in 'National Fuel Gas Code' (ANSI Z223.1, Current Edition). Clearances from non-combustible materials are not part of the ANSI Z21.1 scope and are not certified by UL.

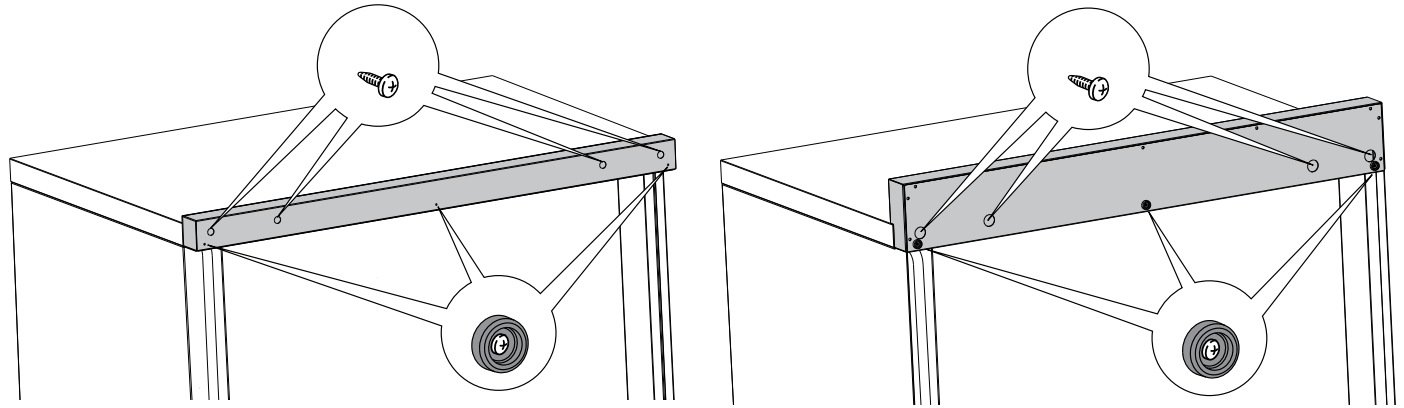
** Refer to local/national codes for ventilation requirements.

*** Depending on the height of the feet adjustment. The cooking surface must sit flush or above countertop level.

8 FITTING THE OPTIONAL BACKGUARD

Island trim and backguard

- It is mandatory to install and use the appliance with either the island trim or the optional backguard correctly in place.
- The island trim is already fitted to the appliance while the backguard can be purchased as a separate kit.
- If replacing the island trim with the backguard, assemble it by using the same screws/spacers used for fixing the island trim.



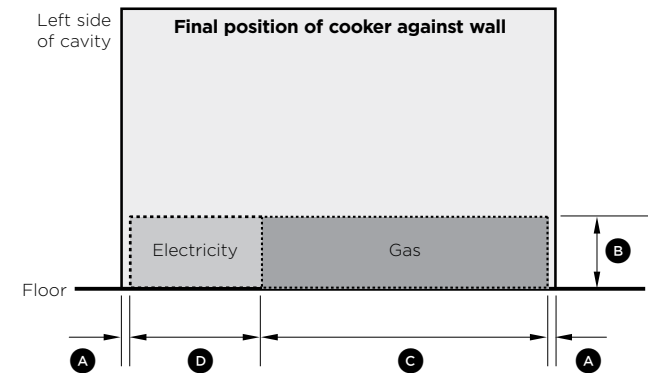
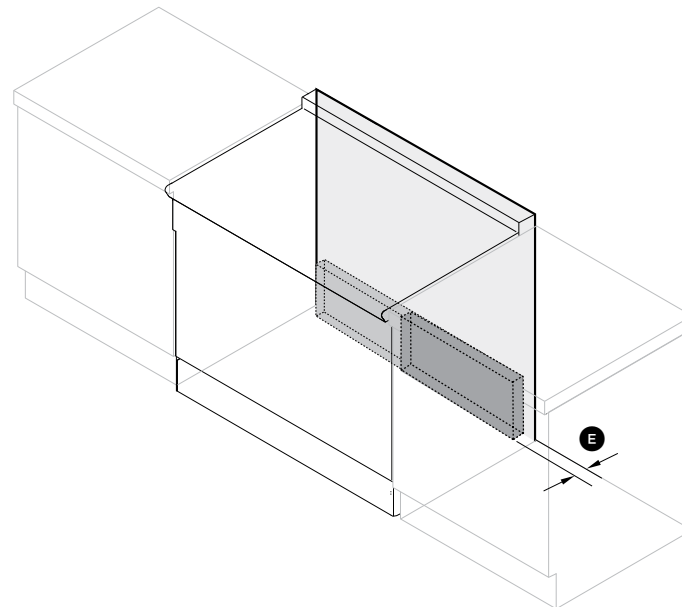
9 LOCATION OF ELECTRICAL & GAS SUPPLY

Grounded outlet (Gas Gas)

- The electric cord with 3-prong ground plug (NEMA 5-15P) has a length of 72" (1830mm).

Grounded outlet (Dual Fuel)

- The electric cord with 4-prong ground plug (NEMA 14-50P) shall have a minimum length of 48" (1220mm) beyond the back of the range.



SUPPLY AREA DIMENSIONS		inches (mm)
(A)	Distance from either edge of Range to supply area	1/4" (6)
(B)	Height of supply area (from floor)	8 1/8" - 10 1/8" (207-257) *
(C)	Width of gas supply area	23 9/16" (599)
(D)	Width of electrical supply area	11 13/16" (300)
(E)	Depth of supply area (ie maximum protrusion of gas and electrical connection from wall)	4 1/2" (115)

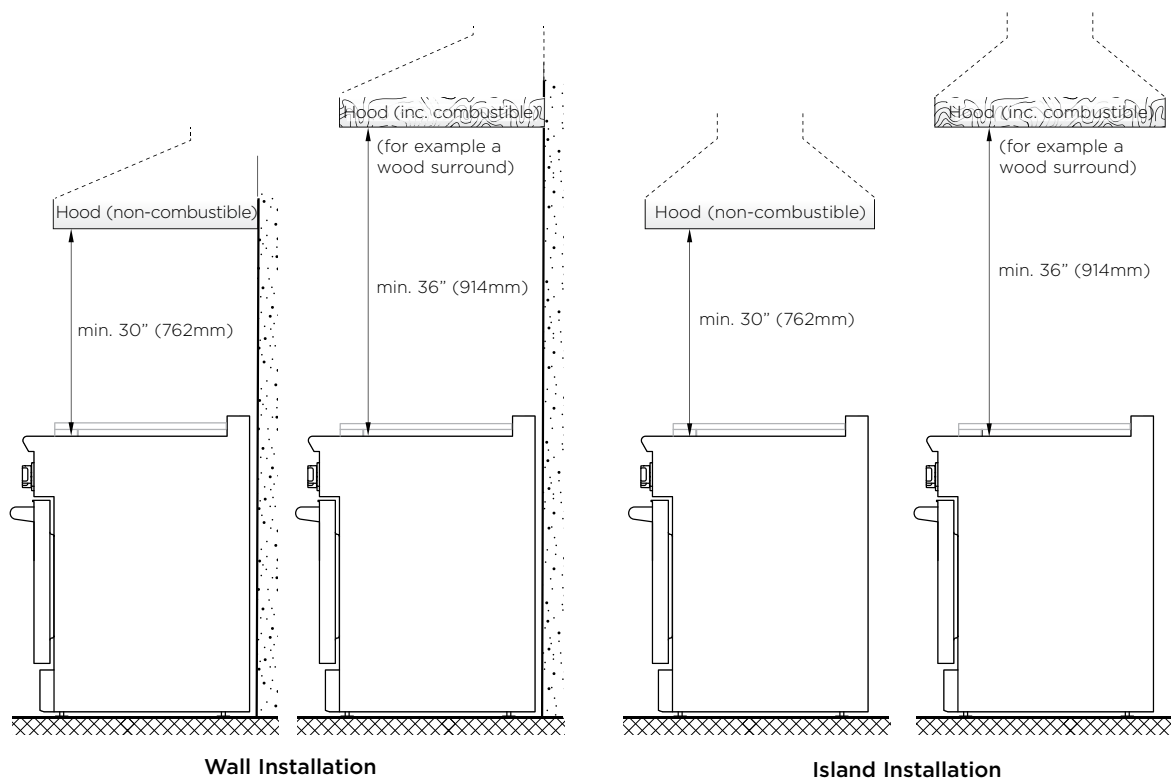
* Depending on adjustment of feet

10 VENTILATION REQUIREMENTS

A suitable ventilation hood may be installed above the range.

Fisher & Paykel has a choice of ventilation hoods designed to match the rest of our kitchen appliance family.

See fisherpaykel.com or your local dealer for more details.



IMPORTANT

- Consult local building codes and/or local agencies, before starting, to ensure that hood and duct installation will meet local requirements.
- Hood blower speeds should be variable to reduce noise and loss of heated or air conditioned household air when maximum ventilation is not required. Normally, the maximum blower speed is only required when using the grill or the self-cleaning cycle.
- If a custom hood canopy contains any **combustible materials** (eg a wood covering) it must be a minimum of 36" (914mm) above the cooking surface.
- Due to a high volume of ventilation air, a source of make-up air (outside replacement air) that complies with local codes and regulations is required.