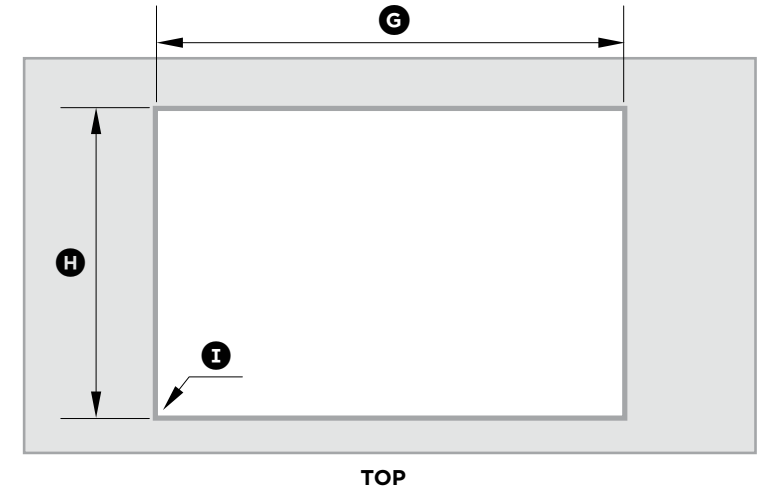
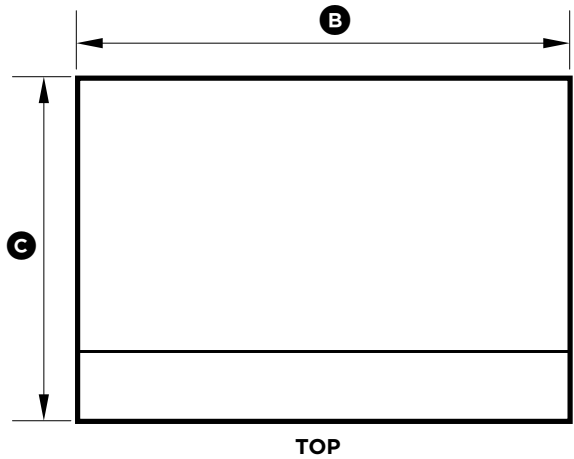


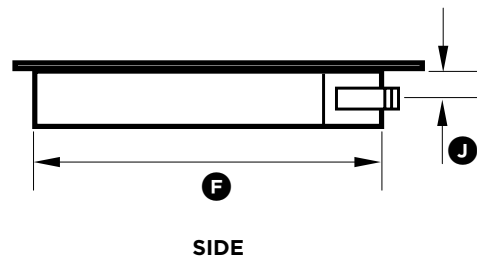
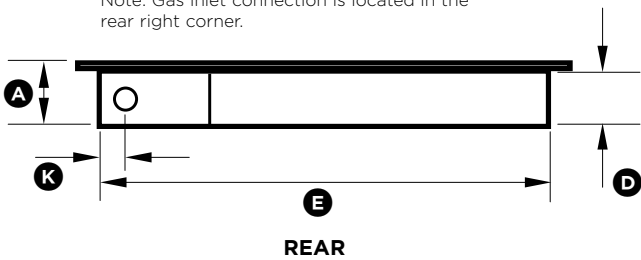


<b>Exterior Appearance</b>	
Cooking Surface	Brushed stainless Steel, easy to clean and highly resistant to staining
Cooking Grates	Continuous
<b>Dimensions</b>	
Height (in.)	2 5/16"
Width (in.)	35 7/16"
Depth (in.)	20 7/8"
<b>Features</b>	
Fuel Type	Propane
Configuration	5 Cooking Zones
Control Location	Right Side
Control Type	Cast alloy satin chrome control dials
Ignition System	Electronic with automatic reignition
Graphics	Laser Etched Graphics
Burners Technologies	Innovalve™ flame control
<b>Installation</b>	
Installation Type	Standard
<b>Burner ratings</b>	
Center burner	19000-600 BTU
Rapid Burner (X2)	1900 - 11500 BTU
Semi-rapid Burner	1000 - 8500 BTU
Auxiliary Burner	700 - 3500 BTU
<b>Electrical Requirements</b>	
Volts; Hertz; Amps	120V; 60Hz; 2 Amp
<b>Accessories (Included)</b>	
Small pan support	Included
Wok Stand	Included
<b>Warranty</b>	
Full 1 Year	Entire Appliance; In-Home; Parts & Labour

④ **PRODUCT & CABINETRY DIMENSIONS**

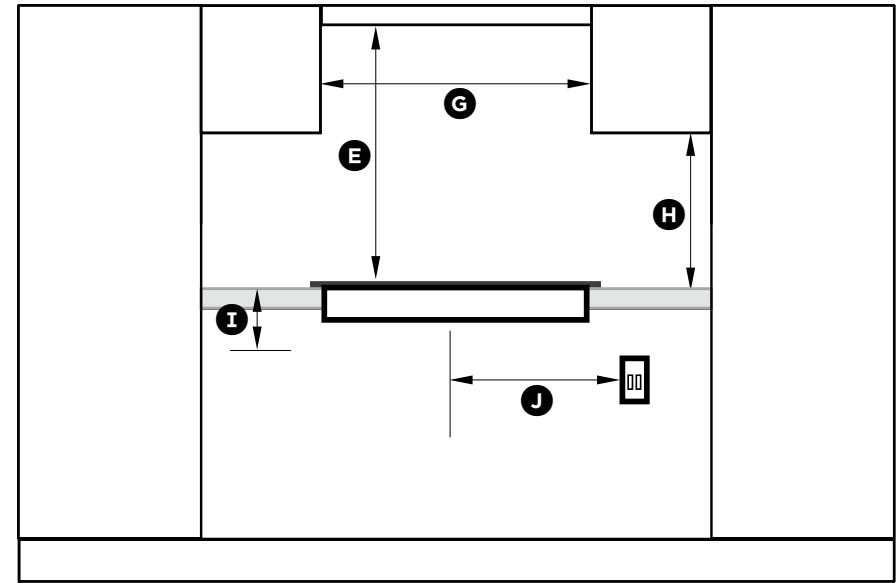
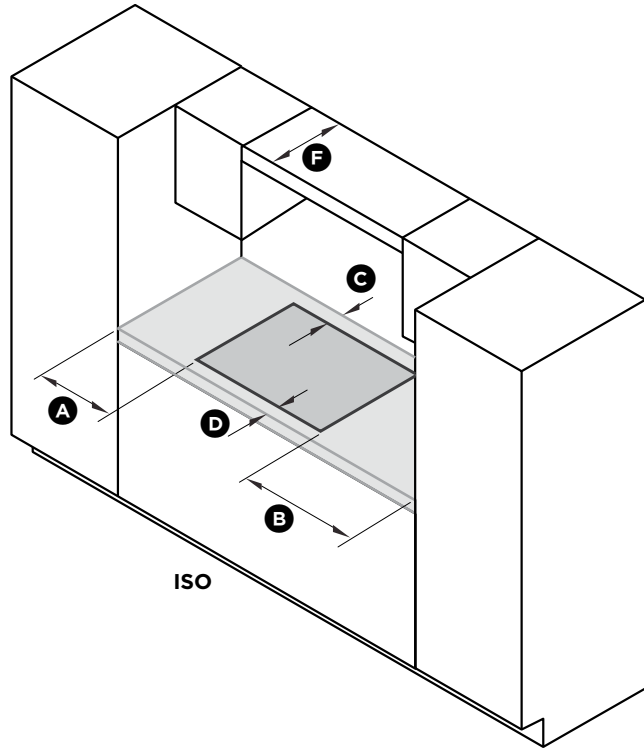


Note: Gas inlet connection is located in the rear right corner.



PRODUCT DIMENSIONS	CG244D	CG305D	CG365D
	inches (mm)	inches (mm)	inches (mm)
(A) Overall height of product (excluding burners, dials and pan supports)	2 1/2" (64)	2 1/2" (64)	2 1/2" (64)
(B) Overall width of product	23 5/8" (600)	29 1/2" (749)	35 1/2" (900)
(C) Overall depth of product	20 7/8" (530)	20 7/8" (530)	20 7/8" (530)
(D) Height of chassis (below top of counter)	2 5/16" (59)	2 5/16" (59)	2 5/16" (59)
(E) Width of chassis	21 7/8" (555)	27 1/2" (698)	33 11/16" (856)
(F) Depth of chassis	19 1/8" (486)	19 5/16" (490)	19 1/8" (486)
(G) Overall width of cutout	22 1/16" (560)	27 3/4" (705)	34 1/16" (865)
(H) Overall depth of cutout	19 5/16" (490)	19 1/2" (495)	19 5/16" (490)
(I) Corner radius of cutout	max. 3/8" (10)	max. 3/8" (10)	max. 3/8" (10)
(J) Distance from top of counter to center of gas inlet on product	1 1/4" (32)	1 1/4" (32)	1 1/4" (32)
(K) Distance from edge of chassis to gas inlet on product	13/16" (21)	13/16" (21)	13/16" (21)

## 5 CLEARANCE DIMENSIONS



FRONT

CLEARANCE DIMENSIONS	CG244D	CG305D	CG365D
	inches (mm)	inches (mm)	inches (mm)
(A) Minimum clearance from left edge of product to nearest vertical surface	12" (294)	12" (294)	12" (294)
(B) Minimum clearance from right edge of product to nearest vertical surface	12" (294)	12" (294)	12" (294)
(C) Minimum clearance from rear edge of product to: nearest combustibile surface nearest non-combustibile surface*	3" (74) 1 1/2" (38)	7" (178) 1 1/2" (38)	7" (178) 1 1/2" (38)
(D) Minimum clearance from front edge of counter to front edge of product	1 1/4" (32)	1 1/4" (32)	1 1/4" (32)
(E) Minimum clearance from cooking surface to combustibile surface centered above the cooking surface	30" (762)	30" (762)	30" (762)
(F) Maximum overall depth of overhead cabinetry	13" (330)	13" (330)	13" (330)
(G) Minimum distance between overhead cabinets installed to either side of product	24" (588)	30" (762)	36" (915)
(H) Minimum vertical distance between counter and cabinet extending above the counter	18" (457)	18" (457)	18" (457)
(I) Minimum clearance below top of countertop to: nearest combustibile surface F&P oven or nearest non-combustibile surface	2 3/4" (70) 2 9/16" (65)	2 3/4" (70) 2 9/16" (65)	2 3/4" (70) 2 9/16" (65)
(J) Maximum distance from the center of the product to the nearest grounded power outlet. The power supply cable must not touch any hot metal surfaces.	35 1/2" (900)	35 1/2" (900)	35 1/2" (900)

\* Recommended non-combustibile materials are: 1/4" (6 mm) flame retardant millboard covered with not less than No. 28 MSG sheet steel, 0.015" (0.4 mm) stainless steel, 0.024" (0.6 mm) aluminum or 0.020" (0.5 mm) copper.