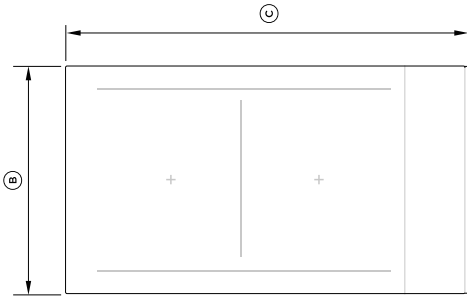


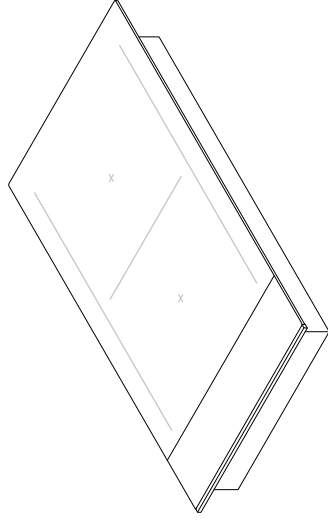


<b>Dimensions</b>	
Overall width (in.)	23 5/8"
Depth (in.)	20 7/8"
Overall Height (in.) including glass top	3 11/16"
<b>Exterior Appearance</b>	
Color	Black
<b>Features</b>	
Cooktop Surface	Patterned Black Glass Ceramic
Fuel Type	Induction
Configuration	4 cooking zones
Control Location	Upfront
Control Type	Soft touch electronic controls
Power Level Indicator	9
Individual hot surface indicators	Oui
Powerboost	Yes
Timer	Yes
<b>Zones Ratings</b>	
Front right	Smart zone - 2100W (boost 3700W)
Front left	Smart zone - 2100W (boost 3700W)
Rear right	Smart zone - 2100W (boost 3700W)
Rear left	Smart zone - 2100W (boost 3700W)
Mode	Gentle heat Mode
<b>Electrical Requirements</b>	
Volts; Hertz; Amps	240V; 60Hz; 30Amp
<b>Warranty</b>	
2-year warranty	Entire Appliance; In-Home; Parts & Labour

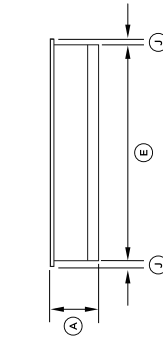
**PRODUCT DIMENSIONS — 12" MODEL**



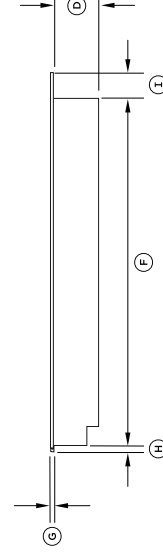
**PLAN**



**ISOMETRIC**



**FRONT**



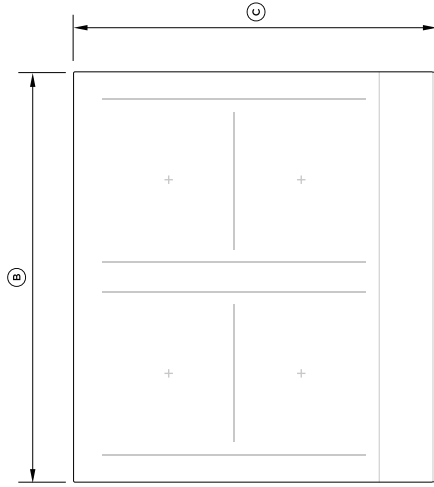
**PROFILE**

PRODUCT DIMENSIONS	C1122DTB	
	IN	MM
(A) Overall height of cooktop	2 3/4	69
(B) Overall width of cooktop	11 3/4	299
(C) Overall depth of cooktop	20 7/8	530
(D) Height of chassis	2 1/2	63
(E) Width of chassis	10 1/4	260
(F) Depth of chassis	18 7/8	480
(G) Height of cooktop glass*	1/4	6
(H) Depth of front overhang of cooktop glass**	1/2	13
(I) Depth of rear overhang of cooktop glass	1 7/16	37
(J) Depth of side overhang of cooktop glass	3/4	20

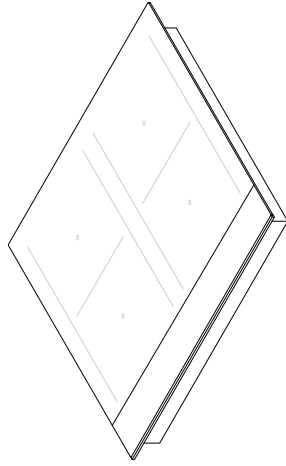
\* Includes flange and tape

\*\* Includes front trim

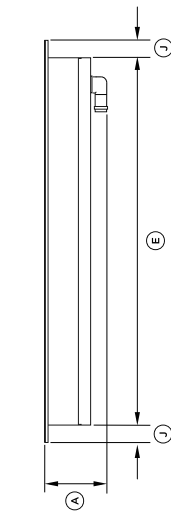
**PRODUCT DIMENSIONS — 24" MODEL**



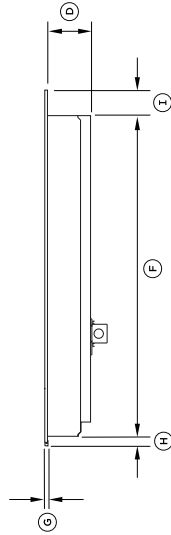
**PLAN**



**ISOMETRIC**



**FRONT**

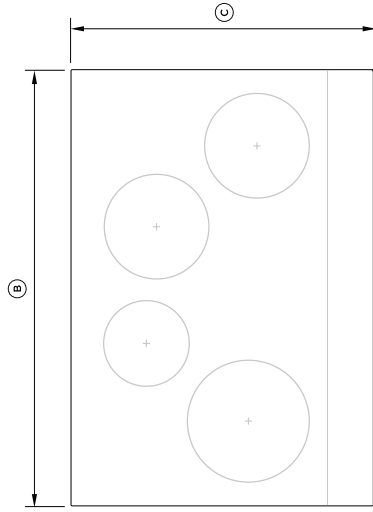


**PROFILE**

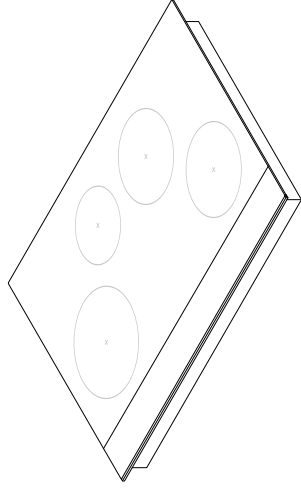
PRODUCT DIMENSIONS	C1244DTB	
	IN	MM
A Overall height of cooktop*	3 7/8	98
B Overall width of cooktop	23 9/16	599
C Overall depth of cooktop	20 7/8	530
D Height of chassis	2 7/16	62
E Width of chassis	21 3/4	552
F Depth of chassis	18 7/8	480
G Height of cooktop glass**	1/4	6
H Depth of front overhang of cooktop glass***	1/2	13
I Depth of rear overhang of cooktop glass	1 1/2	38
J Depth of side overhang of cooktop glass	15/16	24

\* Includes conduit junction  
 \*\* Includes flange and tape  
 \*\*\* Includes front trim

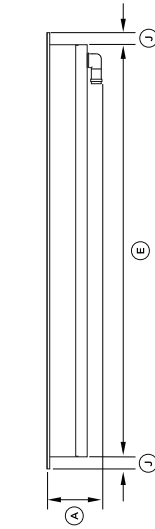
**PRODUCT DIMENSIONS — 30" MODEL**



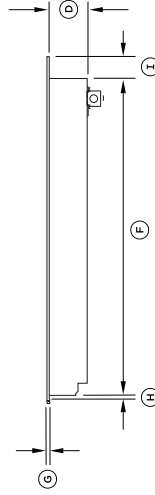
**PLAN**



**ISOMETRIC**



**FRONT**



**PROFILE**

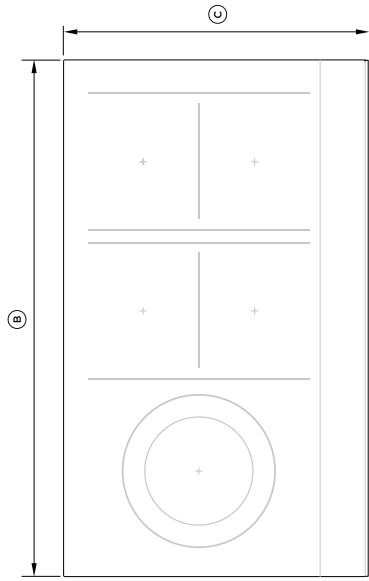
PRODUCT DIMENSIONS	C1304DTB	
	IN	MM
(A) Overall height of cooktop*	3 7/8	98
(B) Overall width of cooktop	29 7/8	759
(C) Overall depth of cooktop	20 7/8	530
(D) Height of chassis	2 7/16	62
(E) Width of chassis	28 7/16	722
(F) Depth of chassis	18 7/8	480
(G) Height of cooktop glass**	1/4	6
(H) Depth of front overhang of cooktop glass***	1/2	13
(I) Depth of rear overhang of cooktop glass	1 7/16	37
(J) Depth of side overhang of cooktop glass	3/4	19

\* Includes conduit junction

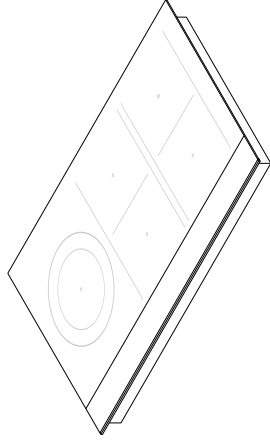
\*\* Includes flange and tape

\*\*\*Includes front trim

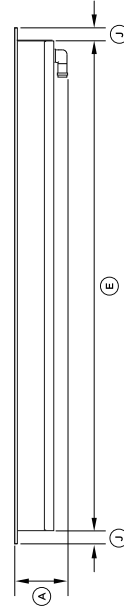
**PRODUCT DIMENSIONS — 36" MODEL**



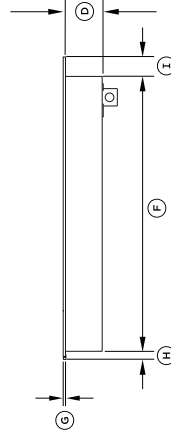
**PLAN**



**ISOMETRIC**



**FRONT**



**PROFILE**

PRODUCT DIMENSIONS	C1365DTB	
	IN	MM
A Overall height of cooktop*	3 3/8	86
B Overall width of cooktop	35 3/8	899
C Overall depth of cooktop	20 7/8	530
D Height of chassis	2	50
E Width of chassis	33 3/4	858
F Depth of chassis	19 1/16	484
G Height of cooktop glass**	1/4	6
H Depth of front overhang of cooktop glass***	1/2	13
I Depth of rear overhang of cooktop glass	1 5/16	33
J Depth of side overhang of cooktop glass	13/16	21

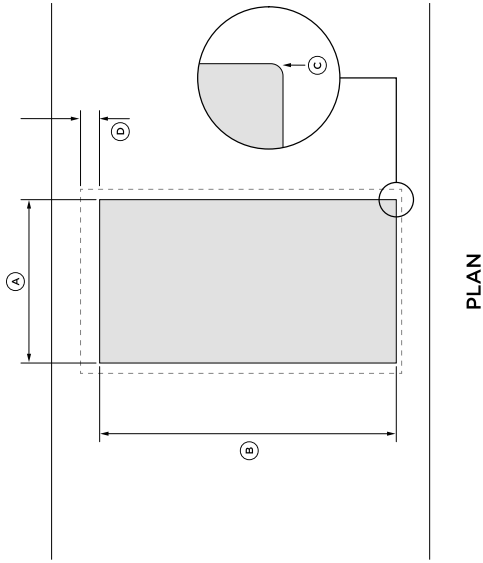
\* Includes conduit junction

\*\* Includes flange and tape

\*\*\*Includes front trim

**CUTOUT DIMENSIONS — 12" MODEL**

**PROUD INSTALLATION**

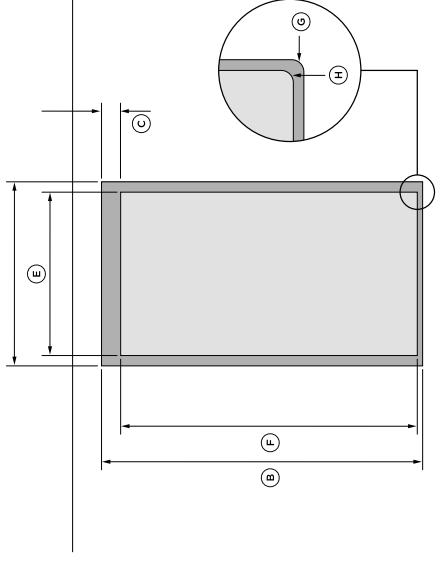


PLAN

FRONT

CUTOUT DIMENSIONS	C1122DTB	
	IN	MM
A Overall width of cutout	10 5/8	270
B Overall depth of cutout	19 5/16	490
C Corner radius of cutout	max 3/8	max 10
D Offset overhang allowance	1 9/16	39

**FLUSH INSTALLATION**



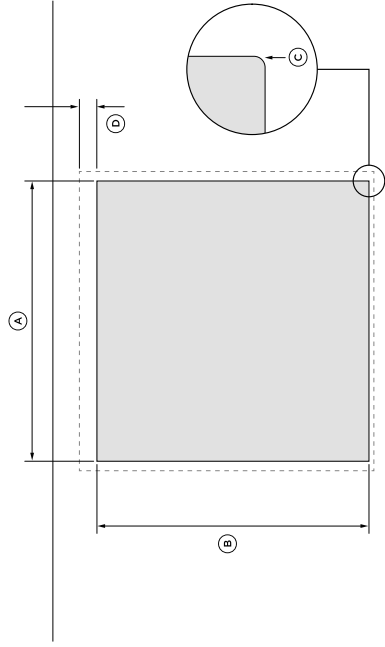
PLAN

FRONT

CUTOUT DIMENSIONS	C1122DTB	
	IN	MM
A Overall width of routed recess	12	305
B Overall depth of routed recess	21 1/16	535
C Offset overhang allowance	1 9/16	39
D Height of routed recess	1/4	6
E Width of cutout	10 5/8	270
F Depth of cutout	19 5/16	490
G Corner radius of routed recess	max 1/16	2
H Corner radius of cutout	max 3/8	10

**CUTOUT DIMENSIONS – 24" MODEL**

**PROUD INSTALLATION**

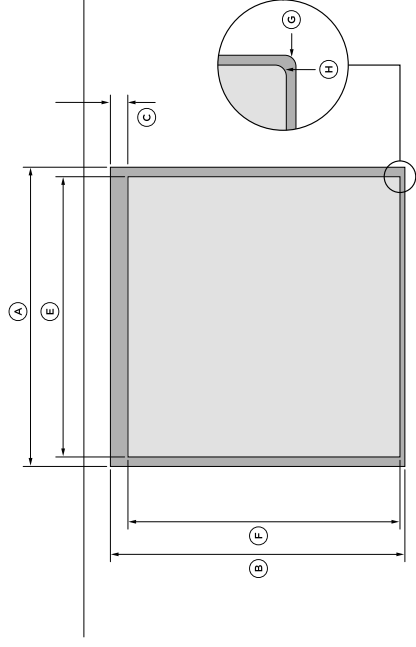


PLAN

FRONT

CUTOUT DIMENSIONS	C1244DTB	
	IN	MM
A Overall width of cutout	22 1/16	560
B Overall depth of cutout	19 5/16	490
C Corner radius of cutout	max 3/8	max 10
D Offset overhang allowance	1 9/16	39

**FLUSH INSTALLATION**



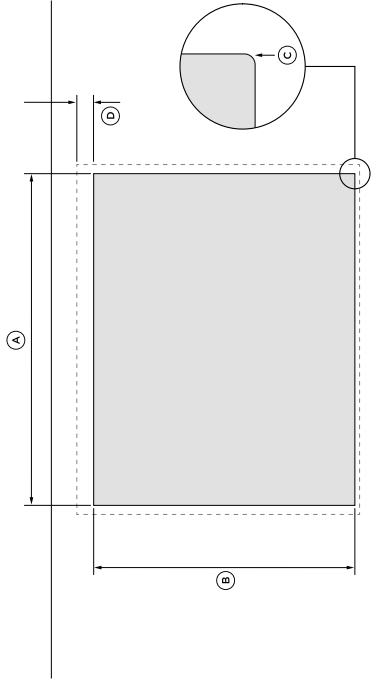
PLAN

FRONT

CUTOUT DIMENSIONS	C1244DTB	
	IN	MM
A Overall width of routed recess	23 13/16	605
B Overall depth of routed recess	21 1/16	535
C Offset overhang allowance	1 9/16	39
D Height of routed recess	1/4	6
E Width of cutout*	22 1/16	560
F Depth of cutout*	19 5/16	490
G Corner radius of routed recess	max 1/16	2
H Corner radius of cutout	max 3/8	10

**CUTOUT DIMENSIONS – 30" MODEL**

**PROUD INSTALLATION**

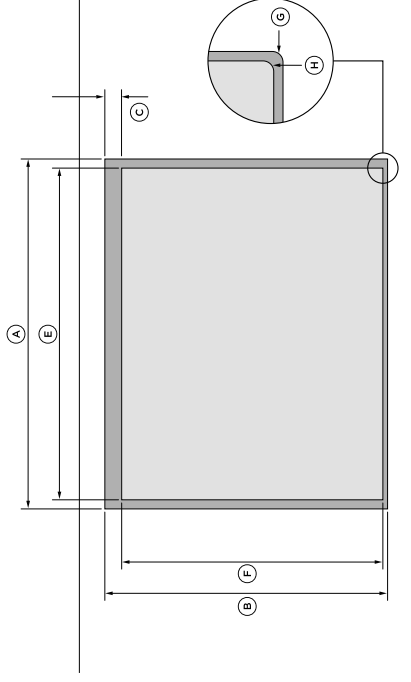


PLAN

FRONT

CUTOUT DIMENSIONS	CI304DTB	
	IN	MM
A Overall width of cutout	28 3/4	730
B Overall depth of cutout	19 5/16	490
C Corner radius of cutout	max 3/8	max 10
D Offset overhang allowance	1 9/16	39

**FLUSH INSTALLATION**



PLAN

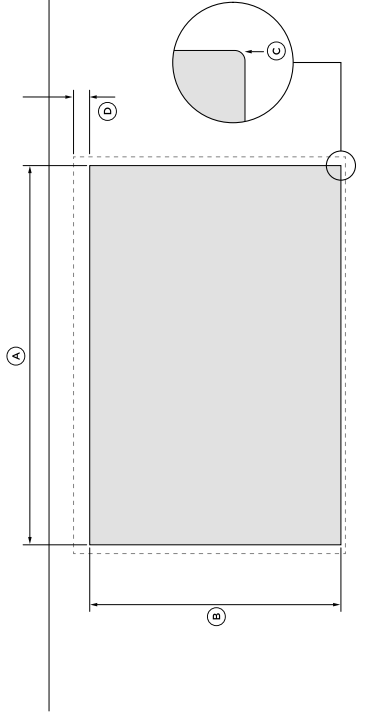
FRONT

CUTOUT DIMENSIONS	CI304DTB	
	IN	MM
A Overall width of routed recess	29 3/4	765
B Overall depth of routed recess	21 1/16	535
C Offset overhang allowance	1 9/16	39
D Height of routed recess	1/4	6
E Width of cutout	28 3/4	730
F Depth of cutout	19 5/16	490
G Corner radius of routed recess	max 1/16	2
H Corner radius of cutout	max 3/8	10



**CUTOUT DIMENSIONS – 36" MODEL**

**PROUD INSTALLATION**

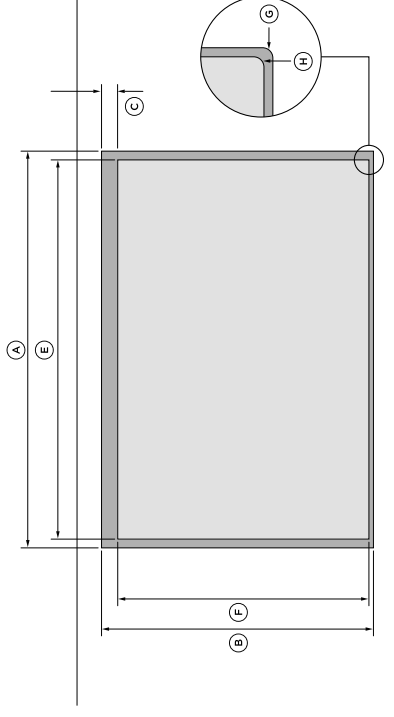


PLAN

FRONT

CUTOUT DIMENSIONS	C1365DTB	
	IN	MM
A Overall width of cutout	34 1/4	870
B Overall depth of cutout	19 7/16	494
C Corner radius of cutout	max 3/8	max 10
D Offset overhang allowance	1 9/16	39

**FLUSH INSTALLATION**

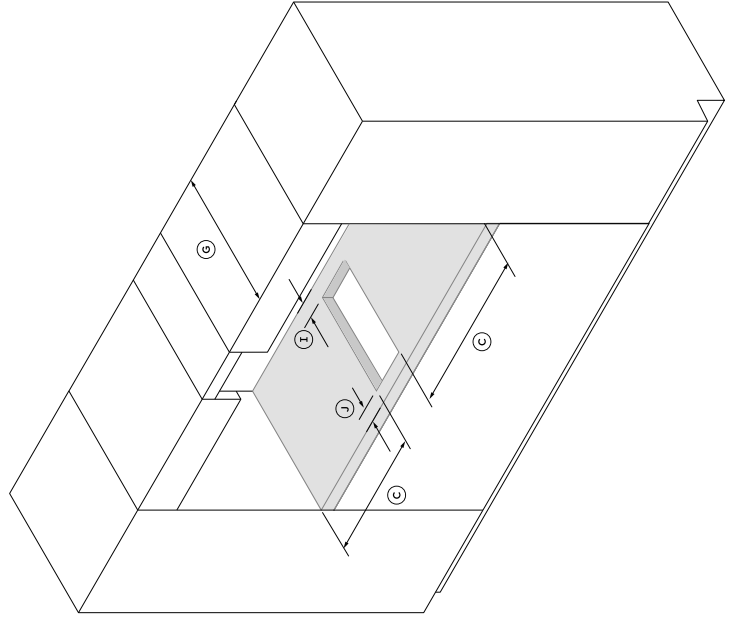
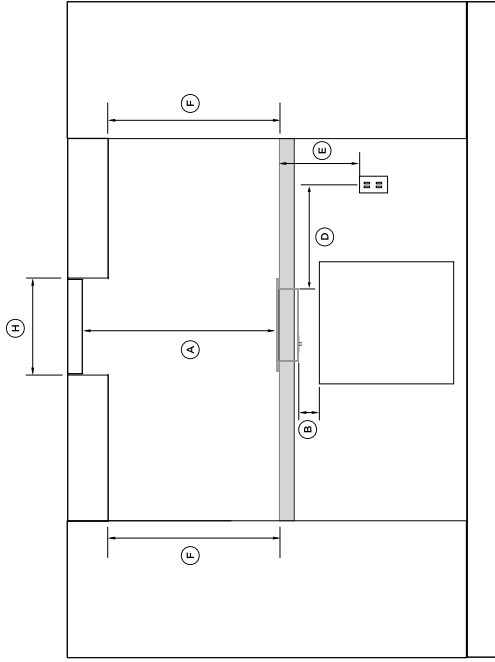


PLAN

FRONT

CUTOUT DIMENSIONS	C1365DTB	
	IN	MM
A Overall width of routed recess	35 5/8	905
B Overall depth of routed recess	21 1/16	535
C Offset overhang allowance	1 9/16	39
D Height of routed recess	1/4	6
E Width of cutout	34 1/4	870
F Depth of cutout	19 7/16	494
G Corner radius of routed recess	max 1/16	2
H Corner radius of cutout	max 3/8	10

## CLEARANCE DIMENSIONS — 12" MODEL



### Combustible surface

Any materials of a building structure or decorative structure made of wood, compressed paper, plant fibres, vinyl/plastic or other materials that are capable of transferring heat or being ignited and burned. Such material shall be considered combustible even though flame-proofed, fire-retardant treated or surface-painted, or plastered.

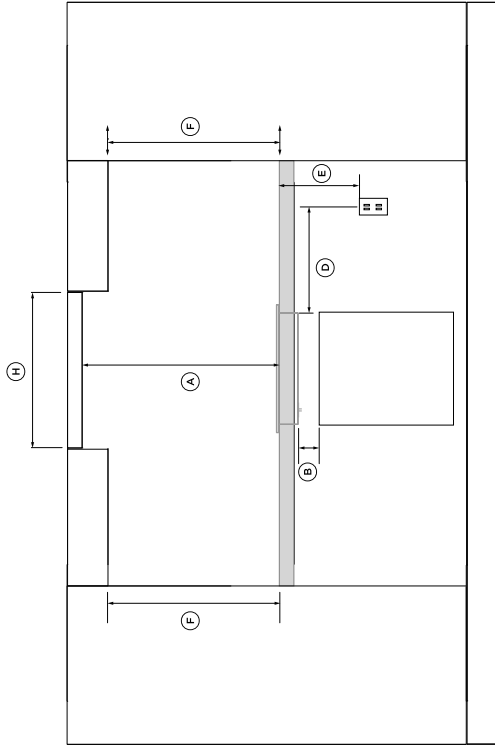
CLEARANCE DIMENSIONS	C122DTB	
	IN	MM
(A) Minimum clearance from glass surface to: <ul style="list-style-type: none"> <li>• Unprotected overhead cabinet centered above cooktop**</li> <li>• Protected overhead cabinet centered above cooktop**</li> <li>• Range hood**</li> </ul>	30 24 25 5/8	762 610 650
(B) Minimum clearance from bottom of chassis to top of any appliance, companion product or obstruction below cooktop	2 9/16	65
(C) Minimum clearance from side edges of cutout to nearest combustible surface	1 3/16	30
(D) Maximum distance from right edge of cutout to center of junction box	30	762
(E) Minimum clearance below top of countertop to junction box	9	230
(F) Minimum clearance from countertop to overhead cabinet (not directly above the cooktop)	23 1/2	450
(G) Maximum depth of overhead cabinetry	13	330
(H) Minimum distance between overhead cabinets either side of the cooktop	12 3/8	315
(I) Minimum clearance from rear edge of cutout to nearest combustible surface	1 3/16	30
(J) Minimum clearance from front edge of cutout to front edge of counter	1 3/8	35

\*To eliminate the risk of burns or fire by reaching over heated surface units, cabinet storage space located above the surface units should be avoided. If cabinet storage is to be provided, the risk can be reduced by installing a range hood that projects horizontally a minimum of 5" (127mm) beyond the bottom of the cabinets.

\*\*A = 30" (762mm) minimum clearance between the top of the cooking surface and the bottom of an unprotected wood or metal cabinet; or A = 24" (610mm) minimum when bottom of wood or metal cabinet is protected by not less than 1/4"-thick flame-retardant millboard covered with not less than No. 28 MSG sheet steel, 0.015"-thick stainless steel, 0.024"-thick aluminum, or 0.020"-thick copper.

\*\*Refer to your range hood installation guide for further details on clearances.

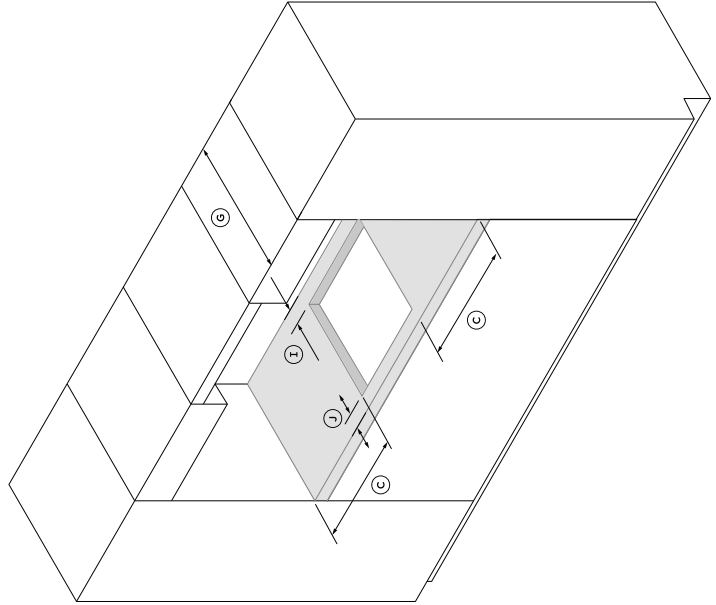
## CLEARANCE DIMENSIONS — 24" MODEL



### Combustible surface

Any materials of a building structure or decorative structure made of wood, compressed paper, plant fibres, vinyl/plastic or other materials that are capable of transferring heat or being ignited and burned. Such material shall be considered combustible even though flame-proofed, fire-retardant treated or surface-painted, or plastered.

	C1244DTB	
	IN	MM
<b>CLEARANCE DIMENSIONS</b>		
(A) Minimum clearance from glass surface to:		
• Unprotected overhead cabinet centered above cooktop**	30	762
• Protected overhead cabinet centered above cooktop**	24	610
• Range hood**	25 5/8	650
(B) Minimum clearance from bottom of chassis to top of any appliance, companion product or obstruction below cooktop	2 9/16	65
(C) Minimum clearance from side edges of cutout to nearest combustible surface	1 3/16	30
(D) Maximum distance from right edge of cutout to center of junction box	30	762
(E) Minimum clearance below top of countertop to junction box	9	230
(F) Minimum clearance from countertop to overhead cabinet (not directly above the cooktop)	23 1/2	450
(G) Maximum depth of overhead cabinetry	13	330
(H) Minimum distance between overhead cabinets either side of the cooktop	12 3/8	315
(I) Minimum clearance from rear edge of cutout to nearest combustible surface	1 3/16	30
(J) Minimum clearance from front edge of cutout to front edge of counter	1 3/8	35

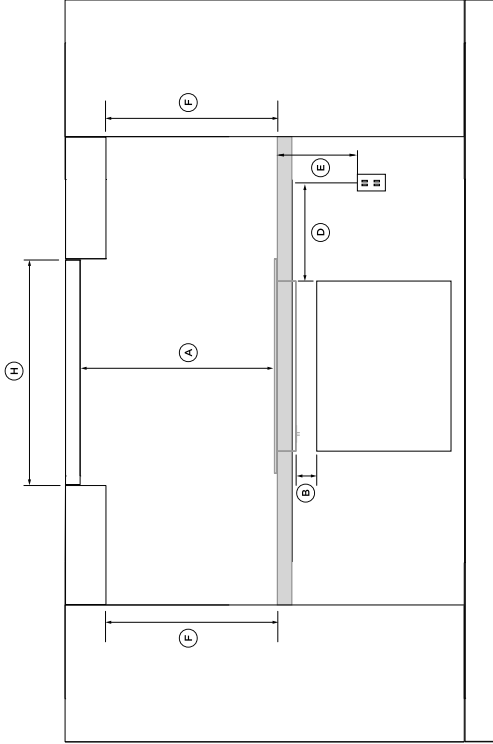


\*To eliminate the risk of burns or fire by reaching over heated surface units, cabinet storage space located above the surface units should be avoided. If cabinet storage is to be provided, the risk can be reduced by installing a range hood that projects horizontally a minimum of 5" (127mm) beyond the bottom of the cabinets.

\*\*A = 30" (762mm) minimum clearance between the top of the cooking surface and the bottom of an unprotected wood or metal cabinet; or A = 24" (610mm) minimum when bottom of wood or metal cabinet is protected by not less than 1/4"-thick flame-retardant millboard covered with not less than No. 28 MSG sheet steel, 0.015"-thick stainless steel, 0.024"-thick aluminum, or 0.020"-thick copper.

\*\*Refer to your range hood installation guide for further details on clearances.

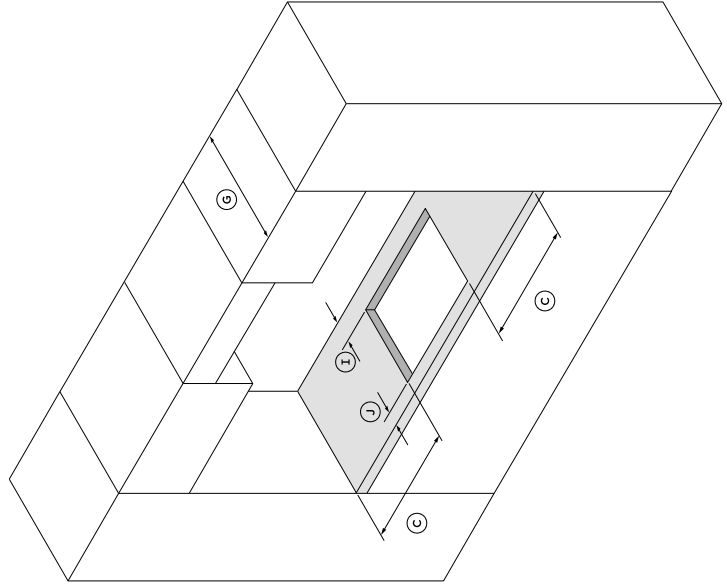
## CLEARANCE DIMENSIONS — 30" MODEL



### Combustible surface

Any materials of a building structure or decorative structure made of wood, compressed paper, plant fibres, vinyl/plastic or other materials that are capable of transferring heat or being ignited and burned. Such material shall be considered combustible even though flame-proofed, fire-retardant treated or surface-painted, or plastered.

CLEARANCE DIMENSIONS	C1304DTB	
	IN	MM
(A) Minimum clearance from glass surface to: <ul style="list-style-type: none"> <li>• Unprotected overhead cabinet centered above cooktop**</li> <li>• Protected overhead cabinet centered above cooktop**</li> <li>• Range hood**</li> </ul>	30 24 25 5/8	762 610 650
(B) Minimum clearance from bottom of chassis to top of any appliance, companion product or obstruction below cooktop	2 9/16	65
(C) Minimum clearance from side edges of cutout to nearest combustible surface	1 3/16	30
(D) Maximum distance from right edge of cutout to center of junction box	30	762
(E) Minimum clearance below top of countertop to junction box	9	230
(F) Minimum clearance from countertop to overhead cabinet (not directly above the cooktop)	23 1/2	450
(G) Maximum depth of overhead cabinetry	13	330
(H) Minimum distance between overhead cabinets either side of the cooktop	12 3/8	315
(I) Minimum clearance from rear edge of cutout to nearest combustible surface	1 3/16	30
(J) Minimum clearance from front edge of cutout to front edge of counter	1 3/8	35

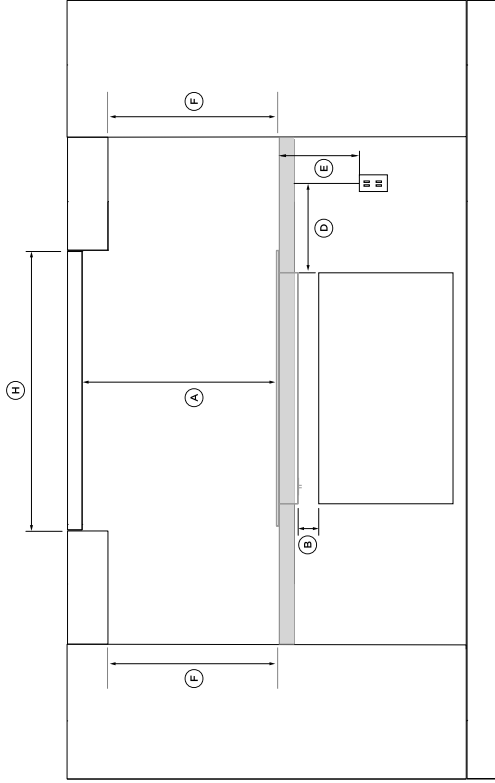


\*To eliminate the risk of burns or fire by reaching over heated surface units, cabinet storage space located above the surface units should be avoided. If cabinet storage is to be provided, the risk can be reduced by installing a range hood that projects horizontally a minimum of 5" (127mm) beyond the bottom of the cabinets.

\*\*A = 30" (762mm) minimum clearance between the top of the cooking surface and the bottom of an unprotected wood or metal cabinet; or A = 24" (610mm) minimum when bottom of wood or metal cabinet is protected by not less than 1/4"-thick flame-retardant millboard covered with not less than No. 28 MSG sheet steel, 0.015"-thick stainless steel, 0.024"-thick aluminum, or 0.020"-thick copper.

\*\*Refer to your range hood installation guide for further details on clearances.

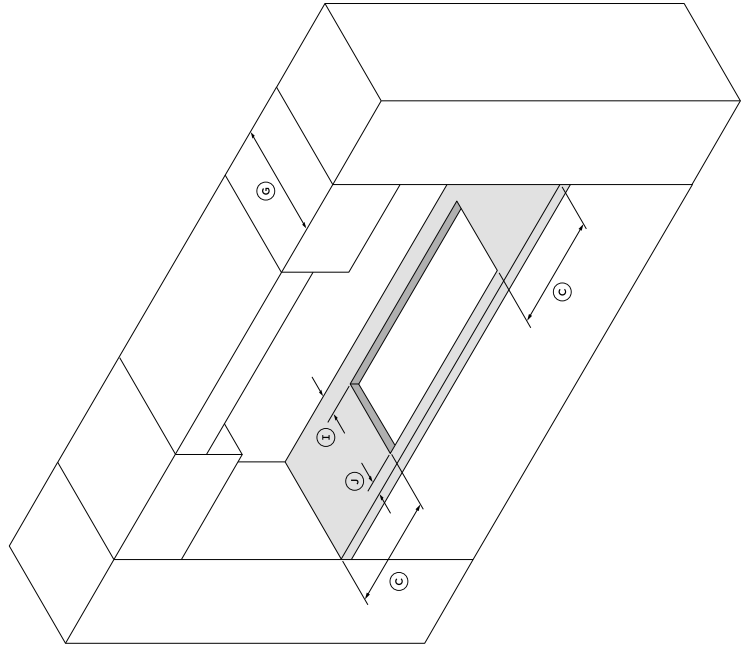
## CLEARANCE DIMENSIONS — 36" MODEL



### Combustible surface

Any materials of a building structure or decorative structure made of wood, compressed paper, plant fibres, vinyl/plastic or other materials that are capable of transferring heat or being ignited and burned. Such material shall be considered combustible even though flame-proofed, fire-retardant treated or surface-painted, or plastered.

	C1365DTB	
	IN	MM
<b>CLEARANCE DIMENSIONS</b>		
(A) Minimum clearance from glass surface to:		
• Unprotected overhead cabinet centered above cooktop**	30	762
• Protected overhead cabinet centered above cooktop**	24	610
• Range hood**	25 5/8	650
(B) Minimum clearance from bottom of chassis to top of any appliance, companion product or obstruction below cooktop	2 9/16	65
(C) Minimum clearance from side edges of cutout to nearest combustible surface	1 3/16	30
(D) Maximum distance from right edge of cutout to center of junction box	30	762
(E) Minimum clearance below top of countertop to junction box	9	230
(F) Minimum clearance from countertop to overhead cabinet (not directly above the cooktop)	23 1/2	450
(G) Maximum depth of overhead cabinetry	13	330
(H) Minimum distance between overhead cabinets either side of the cooktop	12 3/8	315
(I) Minimum clearance from rear edge of cutout to nearest combustible surface	1 3/16	30
(J) Minimum clearance from front edge of cutout to front edge of counter	1 3/8	35



\*To eliminate the risk of burns or fire by reaching over heated surface units, cabinet storage space located above the surface units should be avoided. If cabinet storage is to be provided, the risk can be reduced by installing a range hood that projects horizontally a minimum of 5" (127mm) beyond the bottom of the cabinets.

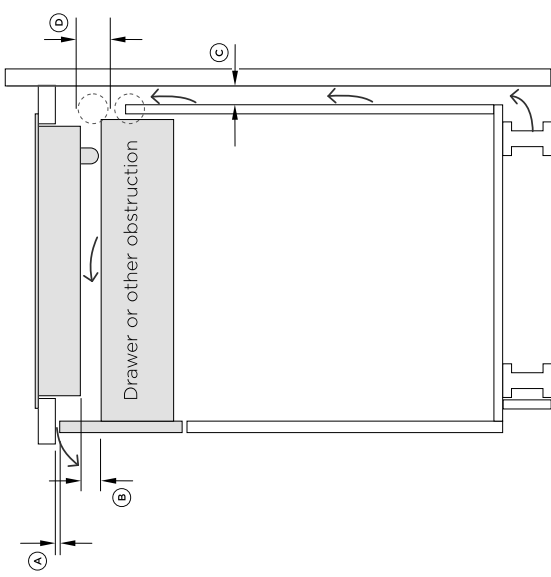
\*\*A = 30" (762mm) minimum clearance between the top of the cooking surface and the bottom of an unprotected wood or metal cabinet; or A = 24" (610mm) minimum when bottom of wood or metal cabinet is protected by not less than 1/4"-thick flame-retardant millboard covered with not less than No. 28 MSG sheet steel, 0.015"-thick stainless steel, 0.024"-thick aluminum, or 0.020"-thick copper.

\*\*Refer to your range hood installation guide for further details on clearances.

## VENTING CLEARANCES

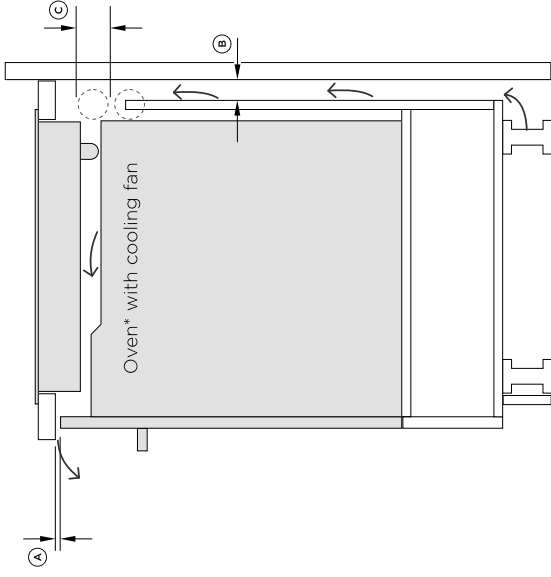
### DRAWER OR OTHER OBSTRUCTION

This cooktop requires adequate supply of cool air to fully function. The base of the cooktop must have direct unrestricted ventilation to the room where the cooktop is installed. There must be a 3/16" (4mm) air gap at the front of the cooktop.



CLEARANCE DIMENSIONS	IN	MM
A Minimum ventilation gap at the front of the cooktop	3/16	4
B Minimum clearance from bottom of chassis to drawer or other obstruction	2 9/16	65
C Minimum ventilation gap at the rear of the cooktop	13/16	20
D Minimum diameter of cooling air hole	2	50

### OVEN WITH COOLING FAN



CLEARANCE DIMENSIONS	IN	MM
A Minimum ventilation gap at the front of the cooktop	3 /16	4
B Minimum ventilation gap at the rear of the cooktop	13/16	20
C Minimum diameter of cooling air hole	2	50

\*Some ovens require installation in a sealed box. Please refer you oven installation guide for more information.