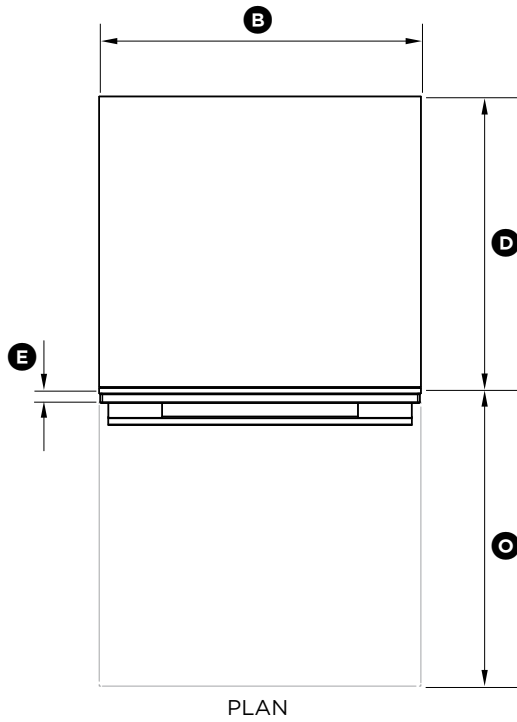
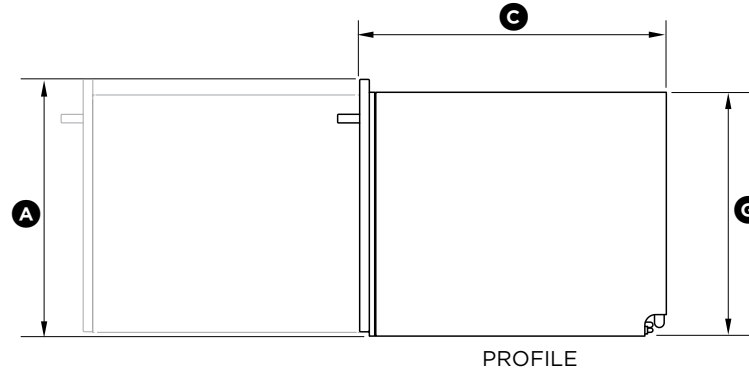
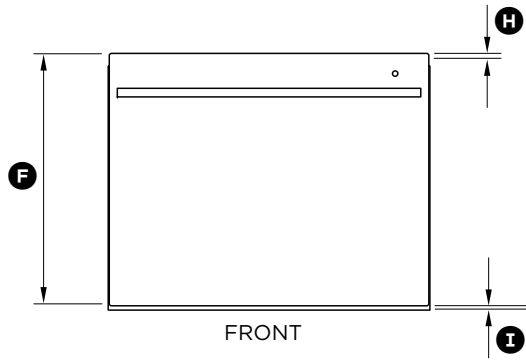




<b>Selected Model</b>	
Model number	DD24SDFTX9-N
<b>Exterior Appearance</b>	
Appearance	Integrated with Fisher&Paykel handle
Color	EZKleen™; Stainless Steel
<b>Dimensions</b>	
Overall Height (in.)	17 7/8"- 18 13/16"
Overall Width (in.)	23 9/16"
Closed Drawer Depth (in.), Excluding Handle	22 15/16"
Opened Drawer Depth (in.), Excluding Handle	44 1/8"
<b>Features</b>	
Place settings	7
Tub	Carbon Polymer
Audible End-of-Cycle Signal	Yes
Control Type	Exterior Digital Display
Rinse Aid Dispenser	With indicator
<b>Wash System</b>	
Automatic Temperature Control	Yes
Variable Water Pressure	Yes
Washing System	SmartDrive™
Eco options	Yes
<b>Cycles</b>	
Wash Cycles	15
<b>Racking</b>	
Support with Adjustable Storage Interval (near or distanced)	2
Flexible utility shelf system	4 - adjustable
Rack coating	Nylon with graphite color
Maximum Plate Height	13"
<b>DryIndex</b>	
Fan-Assist Dry	Yes
Heating Element	Multi-Wattage
<b>Economical / Quiet</b>	
Energy Star Qualified	Yes
Direct Drive Motor	Yes
Water Consumption	1,7 gallons per drawer
<b>Options</b>	
Start / Pause / Reset	Yes
Delay Start	Yes - Up to 12 hours
Child lock	Yes
Automatic Child Lock Once Started	Yes
<b>Electrical Requirements</b>	
Volts; Hertz; Amps	120V / 60Hz / 5.0 amp
Energy Consumption	ENERGY STAR   137 kWh per year
<b>Accessories (optional)</b>	
Stainless Steel Panel	ADDD24ST-N   For DishDrawer DD24STX
SS square handle	AHD3-OBDD-60S (Contemporary) AHV2-DD24-N (Pro)
Round SS handle	AHP2-DWDD-SX (Pro) AHP3-DWDD-SX (Pro, Brushed endcap) AHS-OBDD-60S (Contemporary)
Thin Contemporary handle	AHD5-OBDD60SB (Thin black (1)) AHD5-OBDD60SX (Thin aluminum (1))
<b>Warranty</b>	
1 Year full Warranty	Entire appliance; parts and labour, in-home service

# PRODUCT DIMENSIONS

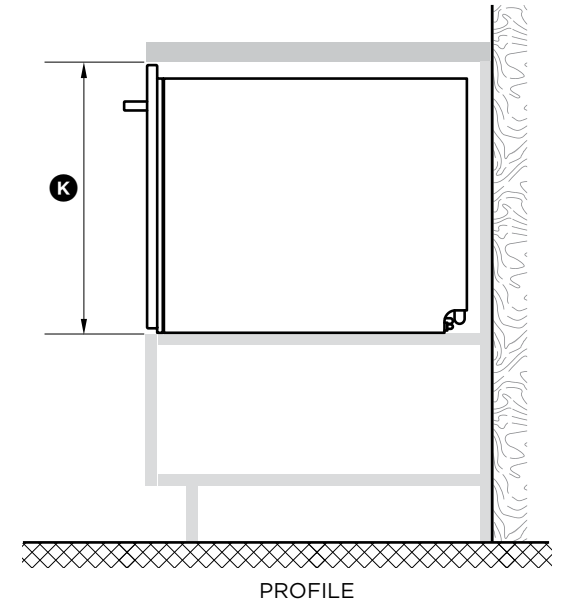
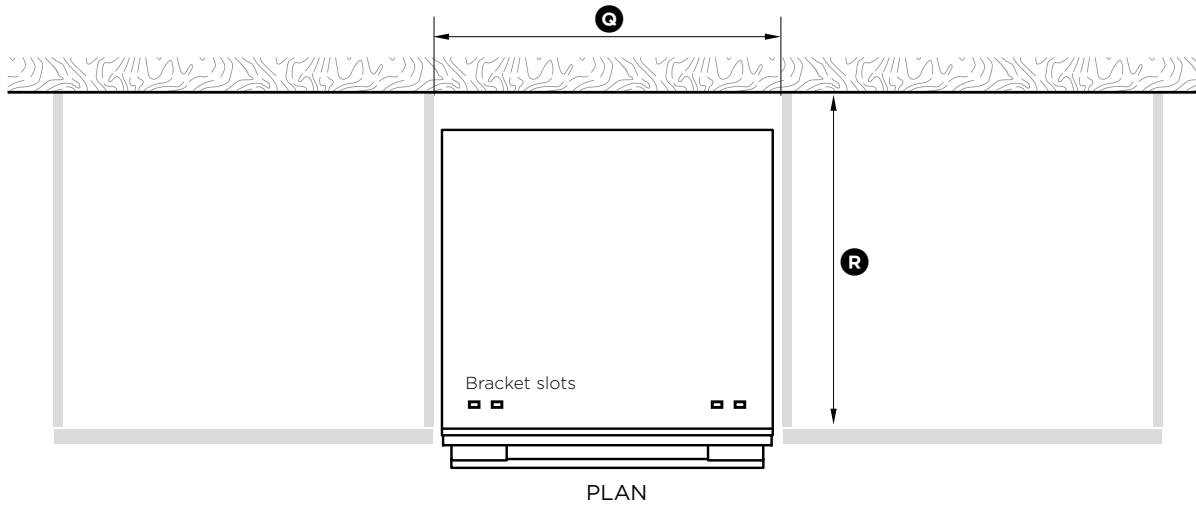
Handles may vary



PRODUCT DIMENSIONS	DD24SDFT	DD24SV2T
	INCHES (MM)	INCHES (MM)
(A) Overall height of product <sup>1</sup>	17 7/8" (454) <sup>2</sup>	17 7/8" (454)
(B) Overall width of product	23 9/16" (599)	23 13/16" (605)
(C) Overall depth of product	22 9/16" (573)	22 3/4" (578)
(D) Depth of chassis (to back of front drawer panel)	21 3/4" (553)	21 3/4" (553)
(E) Depth of drawer front panel (excl. handle)	13/16" (20)	1" (25)
(F) Height of drawer front panel	18 1/2" (470)	17 3/8" (442)
(G) Height of chassis <sup>1</sup>	17 7/8" (454)	17 7/8" (454)
(H) Height from top of drawer front panel to top of chassis	1" (26)	1/16" (2)
(I) Ventilation gap below drawer front panel	3/8" (9)	3/8" (9)
(J) Maximum extension of drawer	21 9/16" (547)	21 9/16" (547)

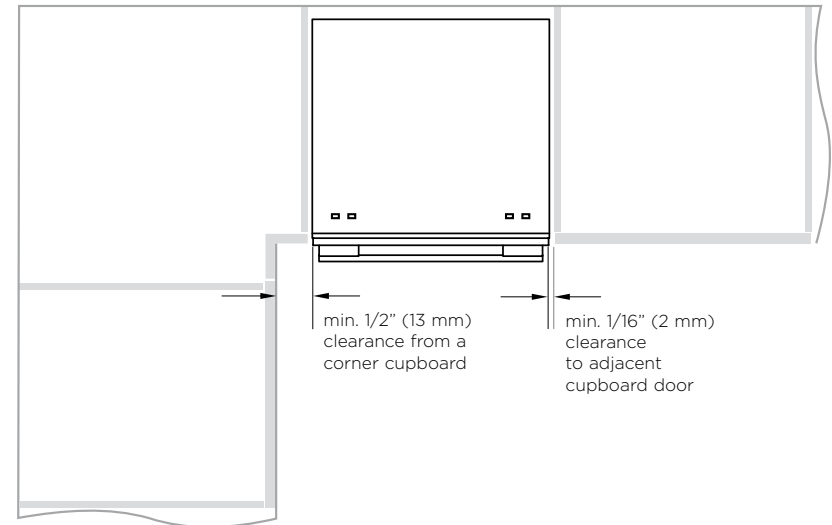
<sup>1</sup> includes 1/16" (2mm) high bracket slots    <sup>2</sup> includes fitted cavity bracket

# CABINETY DIMENSIONS

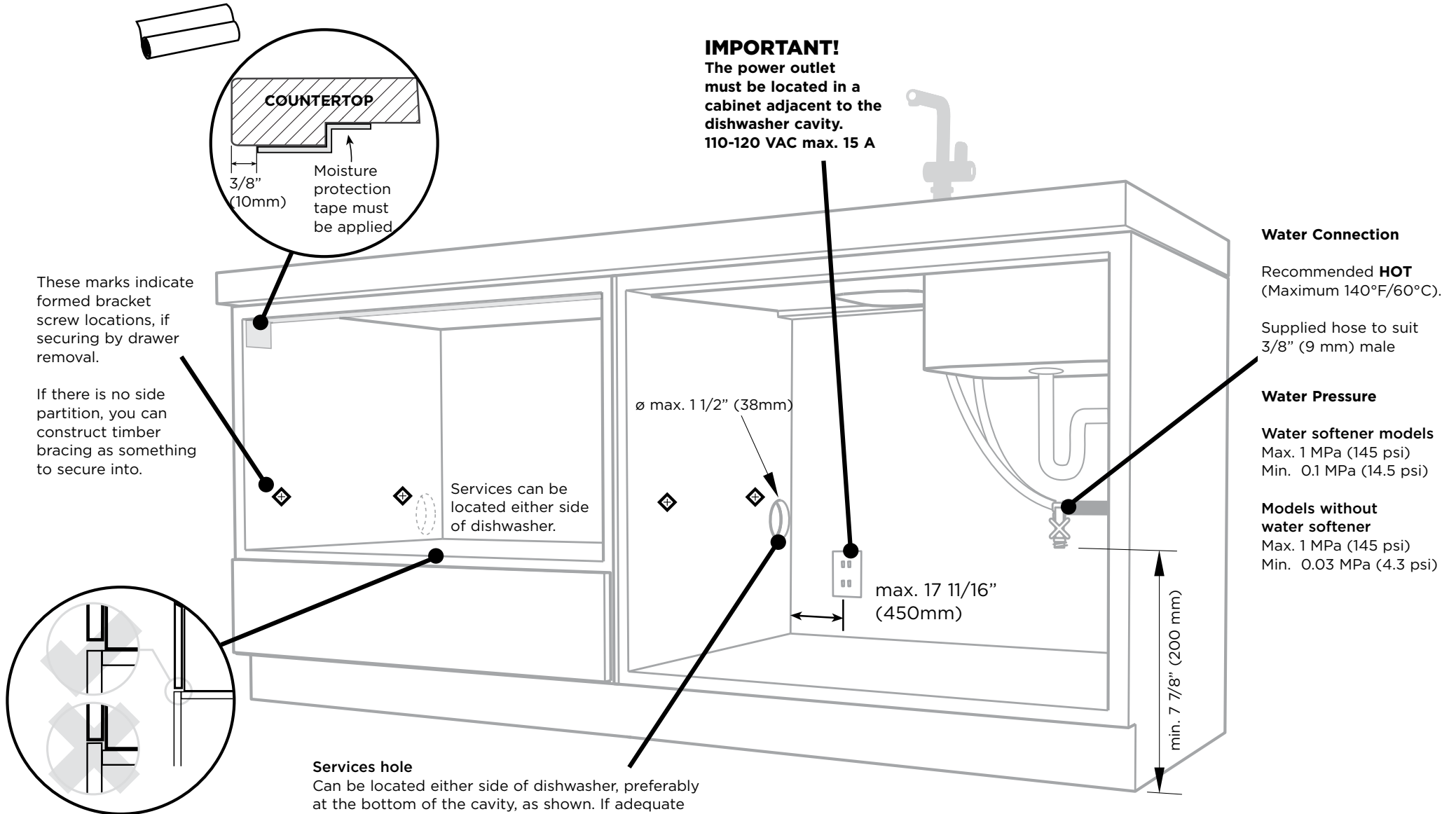


CABINETY DIMENSIONS	DD24SDFT	DD24SV2T
	INCHES (MM)	INCHES (MM)
(K) Inside height of cavity	18 7/8" (480)	17 15/16" (456)
(L) Inside width of cavity	23 5/8" (600)	24" (610)
(M) Inside depth of cavity	min. 22 1/16" (560)	min. 22 1/16" (560)

## Minimum clearances from adjacent cabinetry



# CAVITY PREPARATION



**IMPORTANT!**  
The power outlet must be located in a cabinet adjacent to the dishwasher cavity.  
110-120 VAC max. 15 A

**Water Connection**  
Recommended **HOT** (Maximum 140°F/60°C).  
Supplied hose to suit 3/8" (9 mm) male

**Water Pressure**  
**Water softener models**  
Max. 1 MPa (145 psi)  
Min. 0.1 MPa (14.5 psi)

**Models without water softener**  
Max. 1 MPa (145 psi)  
Min. 0.03 MPa (4.3 psi)

These marks indicate formed bracket screw locations, if securing by drawer removal.

If there is no side partition, you can construct timber bracing as something to secure into.

Services can be located either side of dishwasher.

**Services hole**  
Can be located either side of dishwasher, preferably at the bottom of the cavity, as shown. If adequate clearance, services hole can be made higher to clear toe-kick space. If hole is higher, ensure drain hose(s) are routed straight into the waste connection.

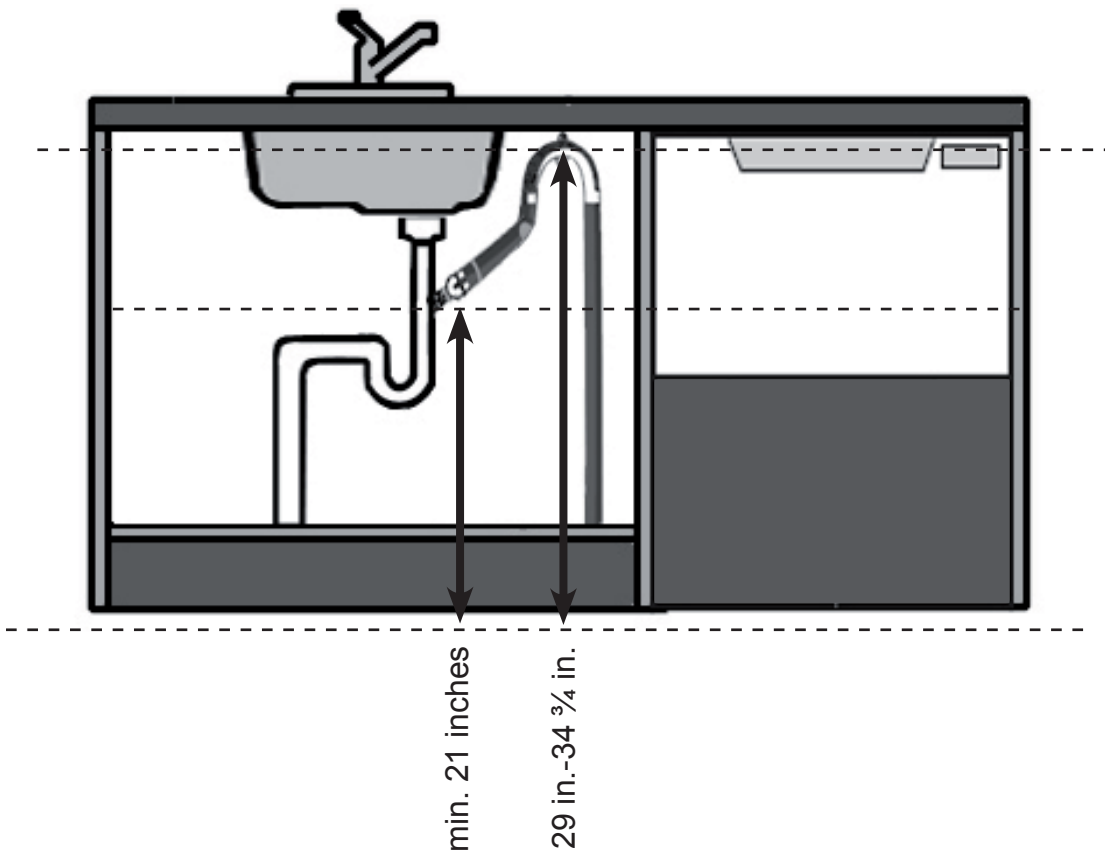
**IMPORTANT!**  
Adjacent cabinetry must not extend above cavity base.

- If the hole is through wood, make sure its edges are smooth and rounded.
- If the hole is through metal, ensure you fit the supplied Edge Protector to prevent damage to the power cord.

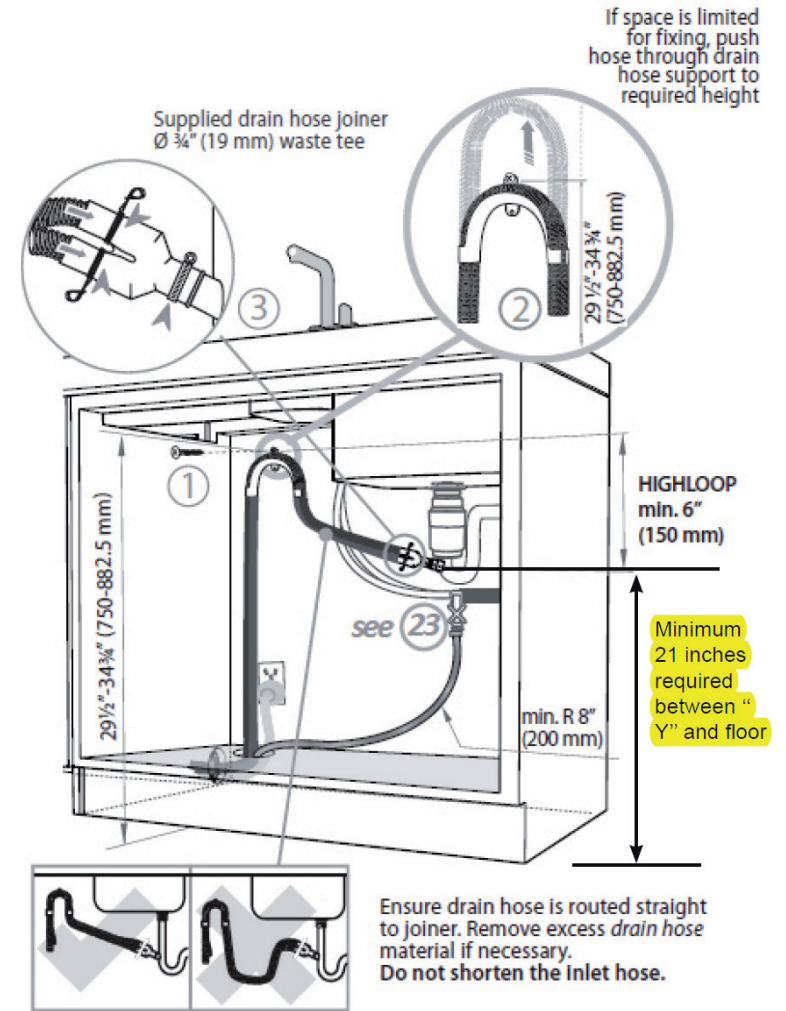


**IMPORTANT!**

Minimum distance from the ground to provide for connecting the drain hose



Dishwasher using sink trap with drain hose joiner



**Please note:** These instructions are complementary to your installation guide. Please refer installation guide given with your appliance in order to get all required instructions.

**Important!**  
Ensure that drain connection will comply with local plumbing regulations.