

# LSCE305ST LSCE365ST

30" & 36" Radiant Cooktops



## Premium Style & Great Features

### COOKING PERFORMANCE

- Electric Cooktops with 5 Elements
- Steady Heat Elements
- Double RF 9"/6", Double LR 8"/5" (LSCE305ST)
- Triple 12"/9"/6", Double 9"/6" (LSCE365ST)

### STYLE AND DESIGN

- Premium Stainless Steel Trim

### CONVENIENCE

- SmoothTouch™ Glass Controls
- Bridge Element – 7" (LSCE365ST)

30"



36"



● Stainless Steel (ST)



## LSCE305ST LSCE365ST

### 30" & 36" Radiant Cooktops

#### Steady Heat Elements

Steady Heat cooking elements deliver constant heat at any temperature for more precise heat control, and respond quickly to every power setting adjustment.

#### Dual & Triple Elements

LG's premium cooktops offer versatile elements that fit different sized cookware for convenience and even heating.

#### SmoothTouch™ Glass Controls

Intuitive SmoothTouch™ Controls are extremely easy to use with just a touch. With just a quick glance of the centralized electronic controls you can see which heating elements are activated, and the smooth surface easily wipes clean.

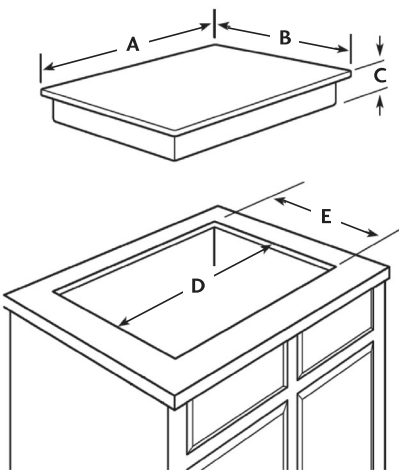
#### Bridge Element (LSCE365ST)

In addition to being used separately, the left front and the left rear elements can be joined by the bridge element to evenly heat larger pans.



#### Installation Reference

(See chart at right for measurements)



TYPE	
Type	Electric
Size (LSCE305ST)	30"
Size (LSCE365ST)	36"
Cooking Surface	Radiant Glass Surface
Number of Elements	5 (plus bridge element - LSCE365ST)
FEATURES	
Controls Type / Location	SmoothTouch™ / Front Center
Hot Surface Indicator	•
Child Lock	•
Auto Shut Off	•
Under Bench Oven Capable	•
Warm Function	•
Power Control	Steady Heat
Elements	Ceramic Glass
Surface / Frame Trim	Black / Stainless Steel
ADA Compliant	•
CONFIGURATION (LSCE305ST)	
Element Configuration	
Left Front	6" / 1.2kW
Left Rear	8", 5" / 1.9, 0.95kW (Dual)
Center	7" / 1.5kW
Right Front	9", 6" / 3.0, 1.4kW (Dual)
Right Rear	6" / 0.1kW (Warm)
CONFIGURATION (LSCE365ST)	
Element Configuration	
Left Front	7" / 1.8kW
Left Rear	7" / 1.8kW
Center	12", 9", 6" / 3.0, 2.2, 1.1kW (Triple)
Right Front	9", 6" / 3.0, 1.4kW (Dual)
Right Rear	6" / 0.1kW (Warm)
Bridge	7" / 0.8kW (Bridge)
DIMENSIONS (LSCE305ST)	
A: Product Width	30 27/32"
B: Product Depth	21 47/64"
C: Product Height	4"
D: Cut-Out Width	29 3/8"
E: Cut-Out Depth	20 1/4"
Net Weight	34.2 lbs.
DIMENSIONS (LSCE365ST)	
A: Product Width	36 11/16"
B: Product Depth	22 33/64"
C: Product Height	4"
D: Cut-Out Width	34 9/16"
E: Cut-Out Depth	20 3/8"
Net Weight	43 lbs.
POWER SOURCE (LSCE305ST)	
Electrical Requirements	240V/208V, 60Hz AC
Max. Amp Load	40 Amp
Power Cable Location	Right Rear
Total Connected Load	7.7kW @ 240V, 5.8kW @ 208V
POWER SOURCE (LSCE365ST)	
Electrical Requirements	240V/208V, 60Hz AC
Max. Amp Load	50 Amp
Power Cable Location	Right Rear
Total Connected Load	10.5kW @ 240V, 7.9kW @ 208V
WARRANTY	
	2 Years Parts and Labor, 5 Years Parts on Cooktop and Coils
UPC CODES	
LSCE305ST 30" Radiant Cooktop	048231316620
LSCE365ST 36" Radiant Cooktop	048231316637

[www.LG.com](http://www.LG.com)

LG Electronics U.S.A., Inc.  
1000 Sylvan Avenue Englewood Cliffs, NJ 07632  
Customer Service and Technical Support: (800) 243-0000

Dimensions and weights are approximate. Design, features and specifications subject to change without notice.

© 2016 LG Electronics USA, Inc. All rights reserved. "LG Life's Good" is a registered trademark of LG Corp. All other product and brand names are trademarks or registered trademarks of their respective companies. 9/16