

LSRM2085_

2.0 cu.ft. Countertop Microwave



EasyClean® Interior

Available in Premium Black Stainless Steel

Fingerprint and Smudge Resistant Exterior

Matching Trim Kit Available (Sold Separately)



CAPACITY	
Cavity Size	2.0 cu.ft. (0.06m ³)
FEATURES	
Microwave Watts	120V/60HZ
Microwave Control Type	Glass Touch
Microwave Display	White LED
COOKING FEATURES	
EasyClean® Interior	Yes
Smart Inverter	Yes
Sensor Cook Options	7
Power Levels	10
Sensor Reheat	5
Auto and Rapid Defrost	4
EZ On (+30s)	Yes
CONVENIENCE FEATURES	
Turntable Diameter (inches)	16
Clock / Timer	Yes
SAFETY FEATURES	
Child Lock	Yes
MATERIALS/FINISHES	
All Available Colors	Stainless Steel, Black Stainless Steel
Door Design	Glass Smog

POWER/RATINGS	
Amp Rating at 120V	120V/60HZ
kW at 120V	Max 1200W
Requirements	1200W
DIMENSIONS / CLEARANCES / WEIGHT	
Cavity (W x H x D)	16.7 x 11.3 x 18.1
Exterior (W x H x D)	23.9 x 13.5 x 19.8
Net Weight (lbs.)	32.6
Microwave Shipping Dimensions (W x H x D)	27.8 x 13.5 x 21.3
Shipping Weight (lbs.)	44.1
LIMITED WARRANTY	
Parts and Labor (In Home Service)	2 years
Magnetron (In Home Service)	10 years
UPC CODES	
LSRM2085ST (Stainless Steel)	048231340625
LSRM2085BD (Black Stainless Steel)	048231340533
MK2030NST Trim Kit (Stainless Steel)	048231339971
MK2030NBD Trim Kit (Black Stainless Steel)	048231339988

LSRM2085_

2.0 cu.ft. Countertop Microwave



QUICK INSTALL & CLEARANCES

For full installation directions/clearances please refer to the corresponding User Manual and Installation Guide.

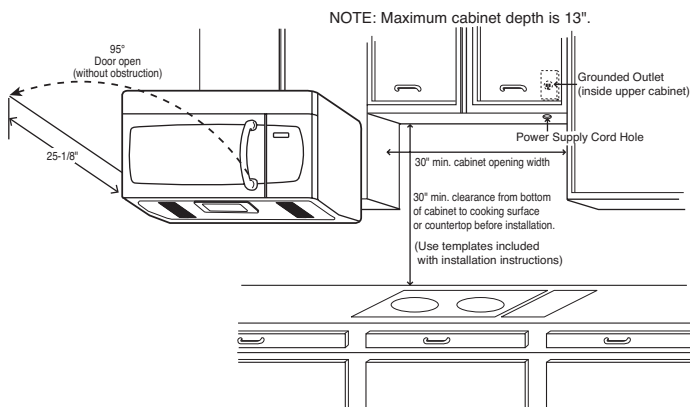
DIMENSIONS/CLEARANCES/WEIGHT

Cavity (W x H x D)	16.7 x 11.3 x 18.1
Exterior (W x H x D)	23.9 x 13.5 x 19.8
Microwave Shipping Dimensions (W x H x D)	27.8 x 13.5 x 21.3
Trim Kit (WxHxD)	29 13/16" x 19 3/16" x 13/16"
POWER/RATINGS	
Amp Rating at 120V	120V/60HZ
kW at 120V	Max 1200W
Requirements	1200W

MAKE SURE YOU HAVE ENOUGH SPACE AND SUPPORT.

- Mount the oven against a flat, vertical wall, so that it is supported by the wall. The wall should be constructed of minimum 2" x 4" wood studing and 3/8" thick drywall or plaster/lath.
- ATTACH AT LEAST ONE** of the two lag screws supporting the oven to a vertical, 2" x 4" wall stud.
- DO NOT** mount the microwave oven to an island or peninsula cabinet.
- BE SURE** the upper cabinet and rear wall structures are able to support 150 lbs., plus the weight of any items you place inside the oven or upper cabinet.
- Locate the oven away from strong draft areas, such as windows, doors, and strong heating vents.
- BE SURE** you have enough space. See diagram for minimum vertical and horizontal clearance.

CLEARANCES

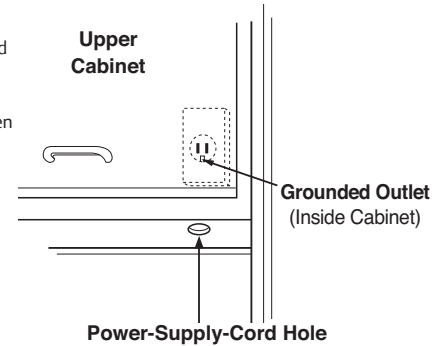


CAUTION

- Before you begin installing the oven, PLACE A PIECE OF THE CARTON OR OTHER HEAVY MATERIAL (a blanket) over the countertop or cooktop to protect it. Do not use a plastic cover. Failure to protect these surfaces could result in property damage.

ELECTRICAL CONNECTION

- Locate the grounded electric outlet for this oven in the cabinet above the oven, as shown.
NOTE: The outlet should be on a circuit dedicated to the microwave oven (120V, 60 Hz, AC only) with a 15 or 20A fused electrical supply.
IMPORTANT: If you do not have the proper wall outlet, you **MUST** have one installed by a qualified electrician.
- You will cut the hole for the power supply cord later when you prepare the wall and upper cabinet in.
- NOTE:** Do not use an extension cord. Keep the power cord dry and do not pinch or crush it.



WARNING

- AVOID ELECTRIC SHOCK! THIS APPLIANCE MUST BE GROUNDED!** Improper grounding could result in electric shock or other personal injury.

OPTIONAL TRIM KIT



MK2030DA Built-In Trim Kit

	30"
Height	16 3/4"
Width	25 1/2"
Depth (min.)	23 3/4"

