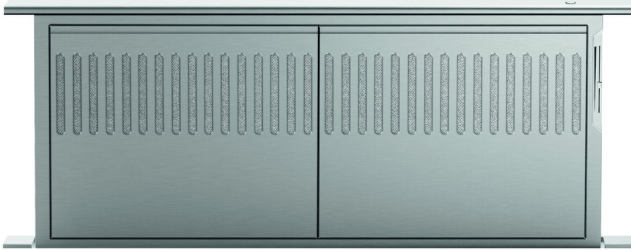


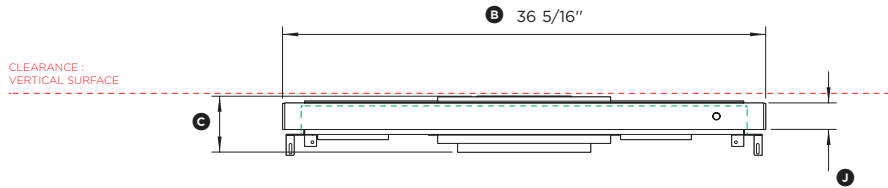
FISHER & PAYKEL

HD36 + HBD600I 36" Downdraft Vent Hood, Interior Motor

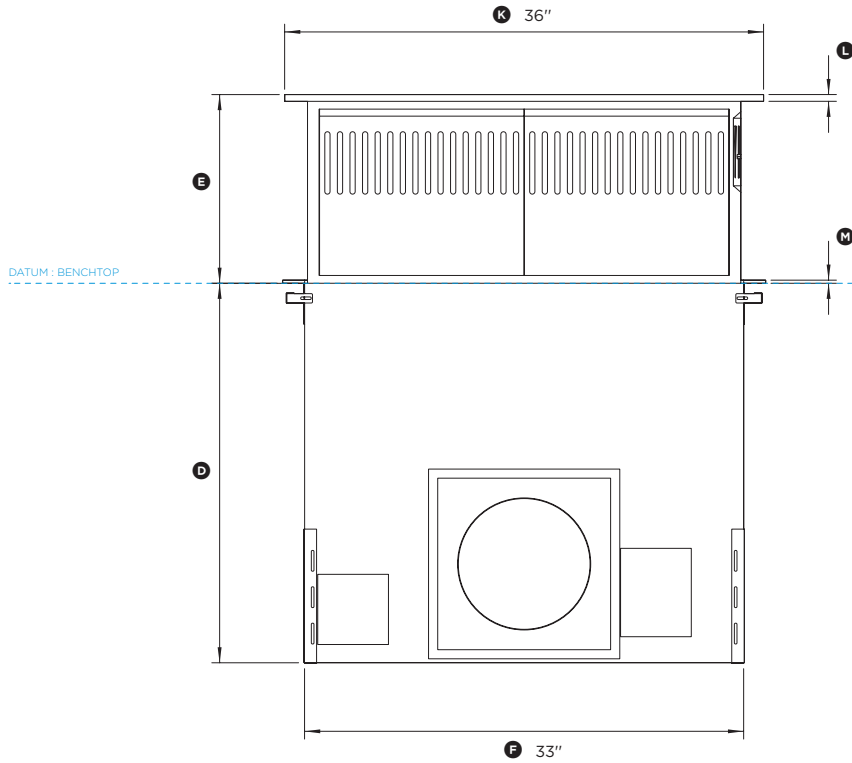


Model	HD36
Dimensions	
Dimensions	36" (L) x 2 1/8" (P) x 28 1/4 - 42 1/4" (H)
Features	
Controls	Slider
Illumination	None
Installation Type	Ducted Installation Only
Motor Type	Interior Motor HBD600I 600 CFM, with Infinite Speed Control
Filter Type	2x Dishwasher-safe, Stainless Steel Mesh Filters
Maximum Duct Length	40'
Duct transition	6" Round
Electrical Requirements	
Electrical requirements	120V-60 HZ / 15 amp
Warranty	
Full 2 years	Entire Appliance; In-Home; Parts & Labour

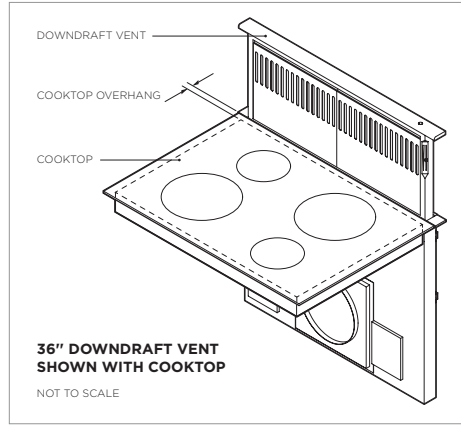
Data Sheet



PLAN VIEW

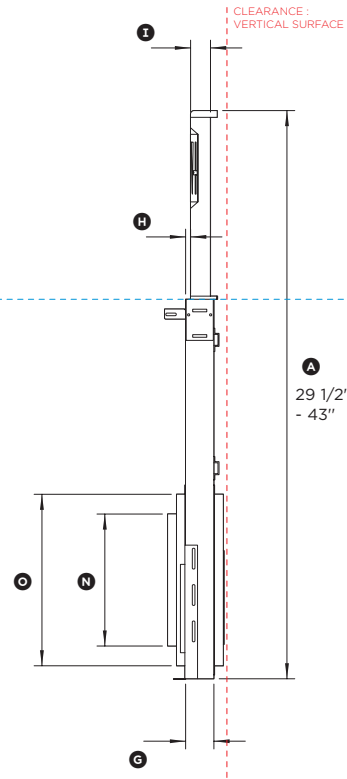


FRONT VIEW



36" DOWNDRAFT VENT SHOWN WITH COOKTOP

NOT TO SCALE



PROFILE VIEW

36" Downdraft Vent System

Model no:

HD36

(refer page 2 for metric measurements)

Dimensions	in
Ⓐ Overall height of Downdraft (excluding mounting brackets)	29 1/2" - 43"
Ⓑ Overall width of Downdraft	36 5/16"
Ⓒ Overall depth of Downdraft (excluding mounting brackets)	4 1/4"
Ⓓ Height of chassis below benchtop (excluding mounting brackets)	28 3/4"
Ⓔ Height above benchtop	3/4" - 14 5/16"
Ⓕ Width of chassis	33"
Ⓖ Depth of chassis	2 1/8"
Ⓗ Depth of ledge for cooktop overhang	3/8"
Ⓘ Depth of projecting vent body	1 1/2"
Ⓛ Depth of top trim	2"
Ⓜ Width of top trim	36"
Ⓨ Height of top trim	1/2"
Ⓩ Height of end cap	1/4"
Ⓝ Diameter of remote blower connection plate outlet	10"
Ⓟ Height and width of blower connection plate box	13"

Cutout Dimensions	in
Width of cutout	33 1/2"
Depth of cutout from rear of cooktop overhang*	1 13/16"

* Please refer to cooktop installation manual for cooktop dimensions and cutout specifications.

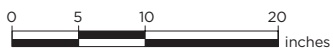
Minimum Clearances	in
Minimum clearance to rear of cabinet or wall from cutout	min 1"

NOTE: Downdrafts require either an internal or external blower. Please refer to installation instructions for the blower options and their dimensions.

INDICATES CUTOUT -----
 INDICATES CABINETRY DATUM -----
 INDICATES CLEARANCES -----

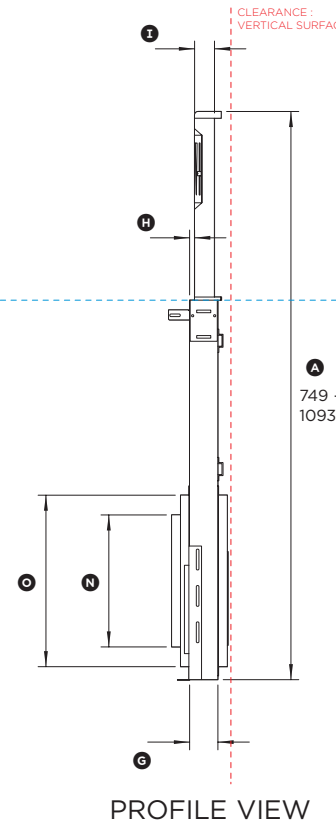
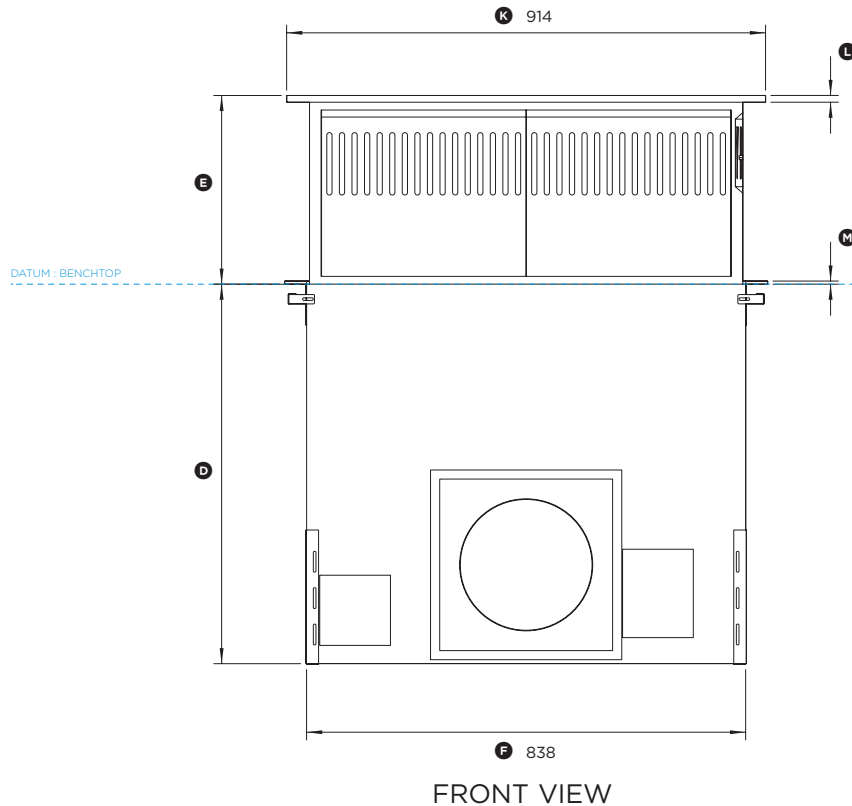
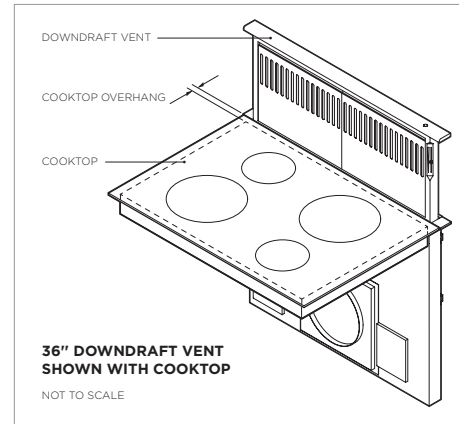
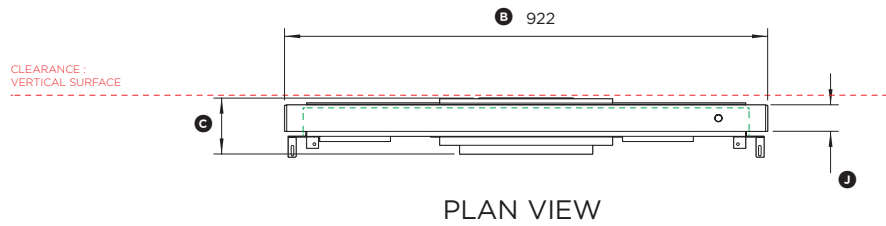
DATE: 22.09.2016

IMPORTANT NOTE: Throughout this guide, dimensions may vary by ±2mm (1/16"). Please read the installation manual for detailed information on installing the product. For full installation instructions & specifications visit dcsappliances.com



Data Sheet

36" Downdraft Vent System



Model no:

HD36

(refer page 1 for imperial measurements)

Dimensions	mm
Ⓐ Overall height of Downdraft (excluding mounting brackets)	749 - 1093
Ⓑ Overall width of Downdraft	922
Ⓒ Overall depth of Downdraft (excluding mounting brackets)	108
Ⓓ Height of chassis below benchtop (excluding mounting brackets)	730
Ⓔ Height above benchtop	19 - 363
Ⓕ Width of chassis	838
Ⓖ Depth of chassis	54
Ⓗ Depth of ledge for cooktop overhang	9.5
Ⓘ Depth of projecting vent body	38
Ⓚ Depth of top trim	51
Ⓛ Width of top trim	914
Ⓛ Height of top trim	13
Ⓜ Height of end cap	6
Ⓝ Diameter of remote blower connection plate outlet	254
Ⓞ Height and width of blower connection plate box	330

Cutout Dimensions	mm
Width of cutout	851
Depth of cutout from rear of cooktop overhang*	46

* Please refer to cooktop installation manual for cooktop dimensions and cutout specifications.

Minimum Clearances	mm
Minimum clearance to rear of cabinet or wall from cutout	min 25

NOTE: Downdrafts require either an internal or external blower. Please refer to installation instructions for the blower options and their dimensions.

INDICATES CUTOUT -----
INDICATES CABINETRY DATUM -----
INDICATES CLEARANCES -----

DATE: 22.09.2016

IMPORTANT NOTE: Throughout this guide, dimensions may vary by ±2mm (3/32"). Please read the installation manual for detailed information on installing the product. For full installation instructions & specifications visit dcsappliances.com

