

ME11A7510DS

SAMSUNG

1.1 cu. ft. Low Profile Over-the-Range Microwave



Signature Features

Space saving design

Accommodates a variety of snacks and meals. Enough room to accommodate everyday meals.

Powerful Suction

Powerful ventilation system that eliminates steam, fumes, and odour from the kitchen. Quiet system clears the air with 400 cubic feet per minute of turbo ventilation.

Effortless Control with Auto Hood Connectivity

Striking ice blue LED display provides a stylish accent to enhance any kitchen interior. Time and setting are clearly visible for greater cooking convenience.

Available Colours



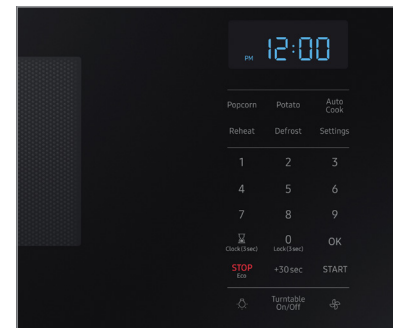
Stainless Steel



Black Stainless Steel



4-Speed/400 CFM Ventilation



LED Display

Features

- 1.1 cu. ft. Microwave Capacity
- 4-Speed/400 CFM Ventilation
- System LED Display
- Cooking Presets
- Eco Mode
- Auto Connectivity

Convenience

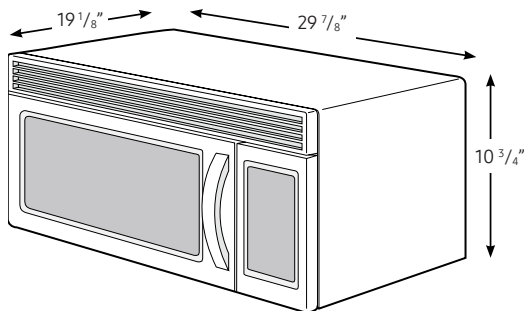
- Wi-Fi
- Voice Control
- SmartThings Cooking
- Vent Fan Control: On/Off

ME11A7510DS

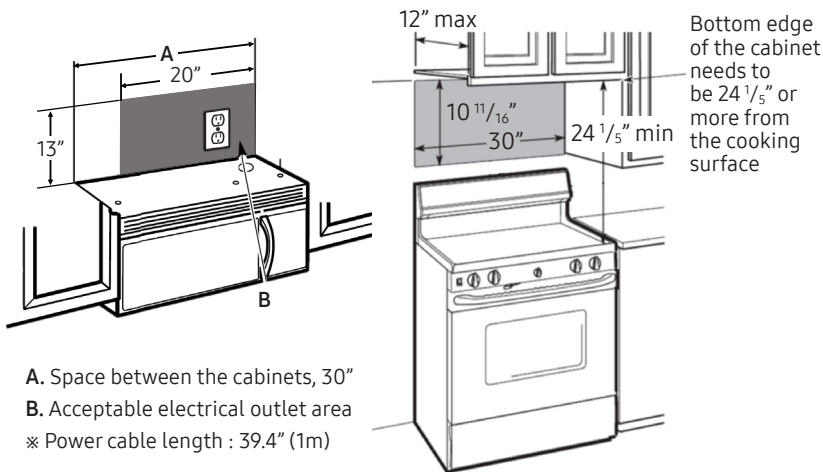
SAMSUNG

1.1 cu. ft. Low Profile Over-the-Range Microwave

Dimensions



Installation Specifications



- A. Space between the cabinets, 30"
B. Acceptable electrical outlet area
* Power cable length : 39.4" (1m)

Specifications:

Power Output: 1000W
Power Consumption: 1,500W
Power Source: 120V/60 Hz
Plug Type: 3 prong plug
Power Cord Length: 1 m
Control Method: Digital Glass Touch
Display: LED
Cooking Control: 10 power levels including defrost
Cooking Timer: Digital, up to 99 minutes, 99 seconds
Microwave Distribution System: Turntable
Vent Fan: 400 CFM
Vent Fan Control: On/Off
20A recommended in Multifamily Buildings

Warranty

One (1) Year Parts and Labour
Five (5) Years Parts on Magnetron

Product Dimensions & Weight (WxHxD)

Dimensions: 29 7/8" x 10 3/4" x 19 1/8"
Dimensions (without filter): 29 7/8" x 15 5/8" x 16 1/2"
Weight: 53.6 lbs. (24.3 kg)

Shipping Dimensions & Weight (WxHxD)

Dimensions: 33 1/5" x 15 2/5" x 22 1/10"
Weight: 55.1 lbs. (25 kg)

Colour	Model #	UPC
Stainless Steel	ME11A7510DS/AC	887276582177
Black Stainless Steel	ME11A7510DG/AC	887276582160

This microwave oven is designed for adaptation to the following three types of ventilation:

- A. Outside Top Exhaust (Vertical Duct)
 - B. Recirculating (Non-Vented Ductless)
 - C. Outside Back Exhaust (Horizontal Duct)
- The space between the cabinets must be 30" wide and free of obstructions.
 - This microwave oven is for installation over ranges up to 36" wide.
 - If you are going to vent your microwave oven to the outside, see the Hood Exhaust Section for exhaust duct preparation.

FOR EASIER INSTALLATION AND PERSONAL SAFETY, WE RECOMMEND THAT TWO PEOPLE INSTALL THIS MICROWAVE OVEN.

CAUTION: For personal safety, remove the house fuse or open the circuit breaker before beginning the installation to avoid severe or fatal shock injury.

CAUTION: For personal safety, the mounting surface must be capable of supporting the cabinet load in addition to the added weight of this 69 pound product, plus additional oven loads of up to 50 pounds or a total weight of 109 pounds.

CAUTION: For personal safety, do not install this product in cabinetry configured as an island or a peninsula. The microwave oven must be mounted to BOTH a top cabinet AND a wall.