

## WS 17800 Vinidor

### 28" Wine Storage Cabinet 3 Temperature Zones

The three temperature zones of the **WS 17800** allow you to store larger quantities of all your preferred wines at the exact temperature you desire - be it champagne, white, red or rose wine.

Every temperature zone can be adjusted separately and independent from the other zones, ranging from **+41 °F to +68 °F**. Use two zones to keep your wine at the right drinking temperature and one zone for keeping the wine at the perfect storage temperature offering unlimited possibilities.

The wooden pull-out shelves on smooth telescopic rails make selecting a bottle convenient. The unit's door is incredibly easy to open with the integrated opening mechanism door handle. Activated charcoal filters ensure high air quality free of dust, dirt and smell.

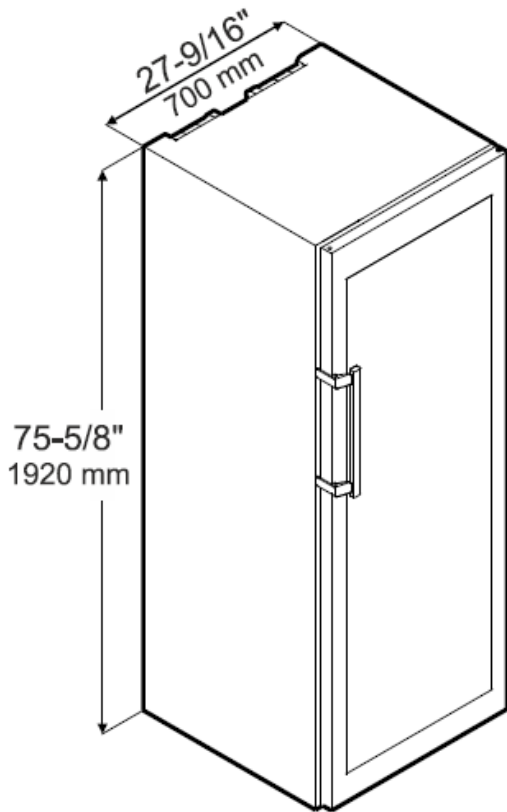


Telescopic wooden racks

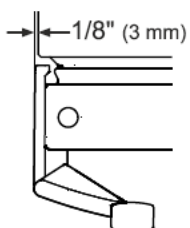
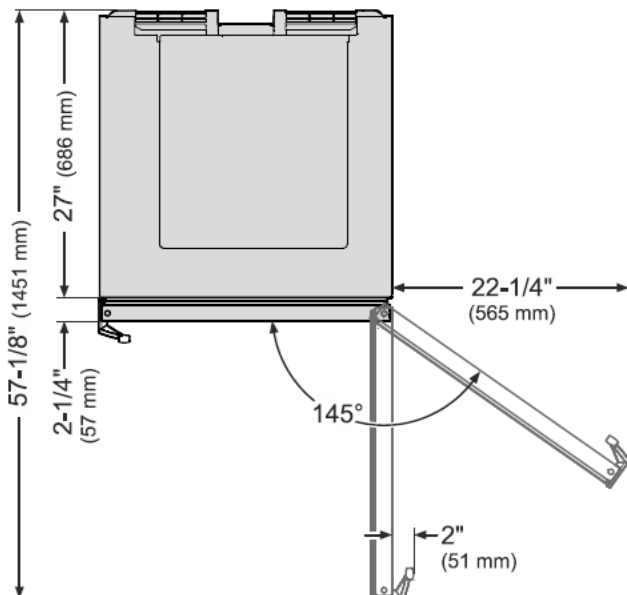
Glass Door	Stainless Steel
Electronic Controls	Adjustable lighting
Soft Close Door	Vibration reduction
<b>Capacity</b>	
Total	505 liters /17.7 cu. ft.
	178 Bordeaux Bottles
Shelves	9 Slide Out Wooden
Display Shelf	1
Power	115v at 60hz 2.5 amps / 300 watt
Shipping Weight	219 lbs. / 100 kg
Door	Right Hand Reversible
Interior light	LED
Forced air fan system	Quiet DC fan

\*THIS IS A QUICK REFERENCE GUIDE for WS 17800, FOR COMPLETE INSTRUCTIONS; PLEASE REFER TO THE DESIGN GUIDE OR VISIT <http://www.liebherr-appliances.com>

## Unit Dimensions WS 17800



## Unit Dimensions Top view WS 17800



The handle protrudes approx.  $1/8''$  to the left side wall of the appliance.