

Fresh Living Tip

If your palette favors red and white wines with equal appreciation, get the best of both with this dual zone model. Highly recommended for storing many varietals of wine, you can host a wine tasting and pairing party or enjoy the selection all to yourself.

FINISH OPTIONS



24" Marvel Professional Dual Zone Wine Refrigerator

MPWD424

Storage Adaptability

- 4.9 cu. ft. capacity stores 40 bottles of wine total
- Upper zone includes (3) 8-bottle smooth-glide full wine racks
- Lower zone includes (1) 8-bottle smooth-glide full wine rack and (2) 4-bottle smooth-glide half-depth wine racks
- Heavy-gauge wire wine racks are shaped to safely cradle each wine bottle
- Full-extension, smooth-glide ball bearing shelving system prevents jarring
- Vibration Neutralization System protects wine from agitation, allowing it to come to full maturation

Cooling Performance

- Two independently monitored zones store your wine collection at separate temperatures
- Dynamic cooling technology delivers precise temperature stability and frost-free operation
- Proprietary shelving design allows for cool air to circulate throughout each compartment for temperature consistency from top to bottom
- Thermal-efficient cabinet insulates preservation environment and conserves energy while maximizing capacity
- Argon-filled, UV-resistant tinted dual pane glass door protects contents from damaging ultraviolet light and helps conserve energy
- Sound-buffering design

Convenient Controls

- Multifunction controls allow you to select a precise cabinet temperature from 33°F to 45°F in the upper zone and 38°F to 65°F in the lower zone
- Features easy-to-use settings with helpful alerts

Fit & Finish

- At the touch of a button, change the interior light color to sapphire blue or arctic white
- Theater-style display lighting gently brightens when door is open and dims to off when closed
- Elegant midnight black interior
- Professional styling: robust full-length handle and stainless steel accents
- Reversible soft-close door allows for right or left swing for adaptable installation
- Door lock provides added security



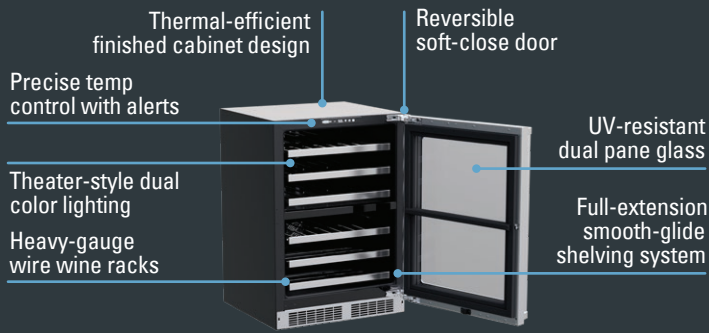
The Marvel Professional Dual Zone Wine Refrigerator is true dual zone wine storage with two independently controlled compartments. Not only can you store both red and white wine in one elegant 40-bottle presentation, but you can also opt to program one zone for long-term storage and the other at serving temperature.

Warranty

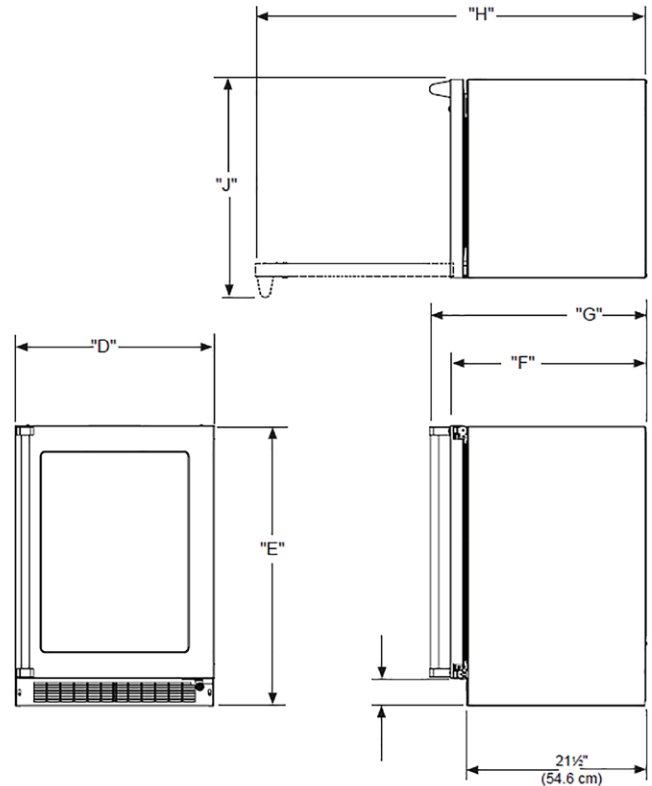
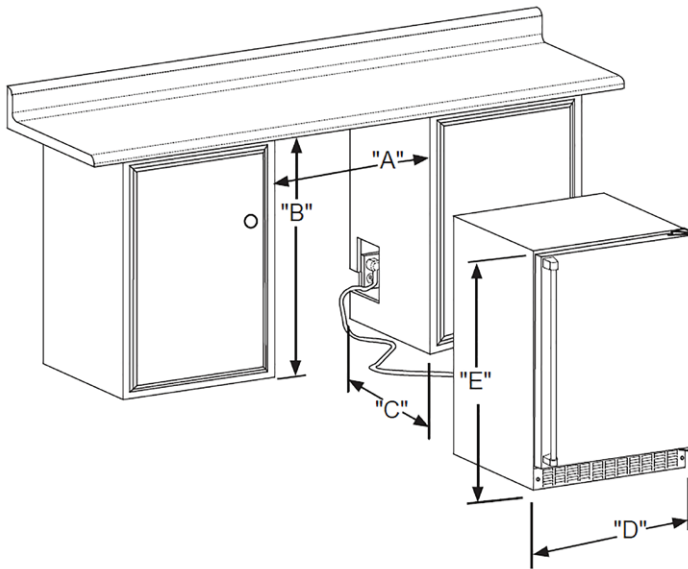
- 3-year parts and labor warranty with product registration and 5-year sealed system parts warranty

DOOR STYLE	MODEL NUMBER
Stainless Steel Frame Glass	MPWD424-SG31A
Panel Ready Frame Glass	MPWD424-IG31A
Solid Panel Ready	MPWD424-IS31A
Solid Stainless Steel	MPWD424-SS31A





H: 33 3/4" W: 23 7/8" D: 26 7/32" (with handle)



Rough In Dimensions*

"A"	"B"	"C"
24"	34-1/4" to 35-1/4"	24"
(61 CM)	(87 CM to 89.5 CM)	(61 CM)

Cabinet Dimensions*

"D"	"E"	"F"	"G"	"H"	"J"
23-7/8"	33-5/8" TO 34-5/8"	23-5/8"*	26-1/8"*	47-3/4"*	26-1/2"*
(60.7 CM)	(85.4 CM TO 87.9 CM)	(60 CM)	(66.3 CM)	(146.6 CM)	(67.3 CM)

*Stainless steel model dimensions only. For panel-ready models, see the owner's guide online at marvelrefrigeration.com.

Capacity	4.9 CU. FT.
Control Type	Electronic
Sabbath Mode	Yes
Temperature Range	Upper Zone: 33° F to 45° F, Lower Zone: 38° F to 65° F
Handle Style	Professional (handle not included on panel-ready models)
Hinge Type	Reversible Soft-Close
Interior Lighting	White + Blue LED
Shelving System	Smooth Ball-Bearing Glides
Toe Grille Finish	Stainless Steel (Black on Panel-Ready Models)

Lock	Yes
Electrical Requirements	115V / 60 Hz / 15A
Cord Length	6 FT.
Shipping Dimensions	28" W x 31" D x 37" H
Shipping Weight	160 LBS
Agency Approval	UL
Refrigerant Type	R600a

For comprehensive installation instructions, including panel overlay details, please visit marvelrefrigeration.com to access the owner's guide.

