

# T24UW925RS

## UNDER-COUNTER WINE RESERVE WITH GLASS DOOR

PROFESSIONAL SERIES HANDLE – RIGHT HINGED



**Also Available:**

- T24UW925LS – Left Hinged with Professional Series Handle
- T24UW915LS – Left Hinged with Masterpiece® Series Handle
- T24UW915RS – Right Hinged with Masterpiece® Series Handle
- T24UW905LP – Left Hinged Custom Panel-Ready
- T24UW905RP – Right Hinged Custom Panel-Ready

### FEATURES & BENEFITS

- Dual zone wine storage with adjustable temperature zones
- Full-extension wine racks
- UV resistant tempered glass door
- SoftClose® door hinges for ultra-smooth closing of the door
- LED theater lighting
- Touch electronic controls for precise temperature management

### GENERAL PROPERTIES

UV Resistant Glass Door	Yes
Reversible Door Swing	Left and Right Available
SoftClose® Door Hinges	Yes
Lighting	Adjustable LED Lighting
Bottle Shelves	6
Shelf Material	Wenge Triangular Hardwood dowels w/ Aluminum Front Caps
Full Extension Wine Racks	Yes
Dual Zone Wine Storage	Yes
Door Open Alarm	Yes
Touch Electronic Controls	Yes
STAR-K Certified Sabbath Mode	Yes

### CAPACITY

Number of Bottles	41
-------------------	----

### TEMPERATURE RANGES

Upper Zone	40°F (3°C) to 54°F (12°C)
Lower Zone	40°F (4.5°C) to 64°F (18°C)

### TECHNICAL DETAILS

Watts (W)	150 W
Current (A)	15 Amp
Volts (V)	115 V
Frequency (Hz)	60 Hz
Power Cord Length (in.)	60"
Plug Type	120V 3-Wire

### DIMENSIONS & WEIGHT

Appliance Dimensions (H x W x D) (in.)	34 3/8"* x 23 7/8" x 23 5/8"
Required Cutout Size (H x W x D) (in.)	34 1/2"-35 1/4" x 24" x 24"
Net / Gross Weight (lbs.)	140 / 151 lbs.

### EFFICIENCY

Annual Energy Consumption	155 kWh
---------------------------	---------

### WARRANTY

Limited, Entire Appliance, Parts and Labor on any Part of the Refrigerator that Fails Because of a Manufacturing Defect

2 Year

Limited Warranty for Sealed Refrigeration System\*\*; Parts and Labor

3rd to 6th Year

Limited Warranty for Sealed Refrigeration System\*; Parts Only

7th to 12th Year

\*Height adjustable + 1/2" (13 mm) with legs fully extended

\*\*Sealed refrigeration system includes compressor, evaporator, condenser, dryer / strainer and connection tubing

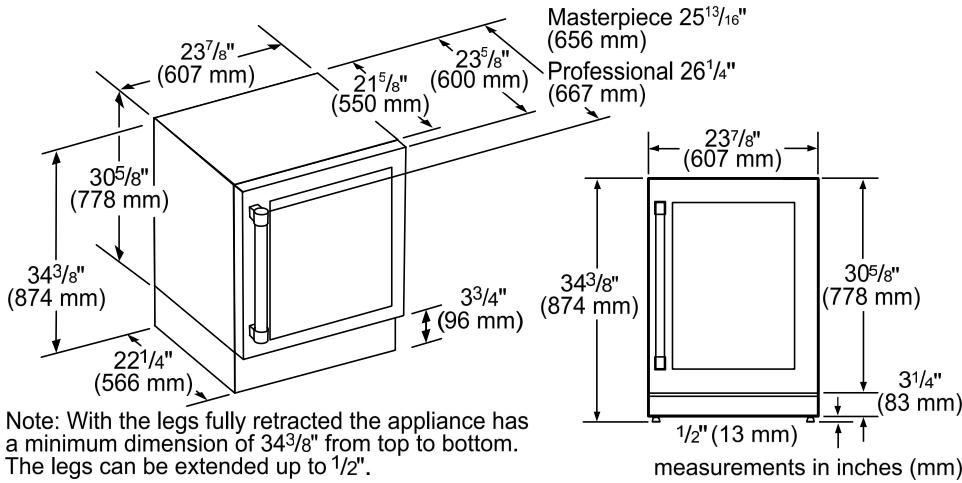
# T24UW925RS

## UNDER-COUNTER WINE RESERVE WITH GLASS DOOR

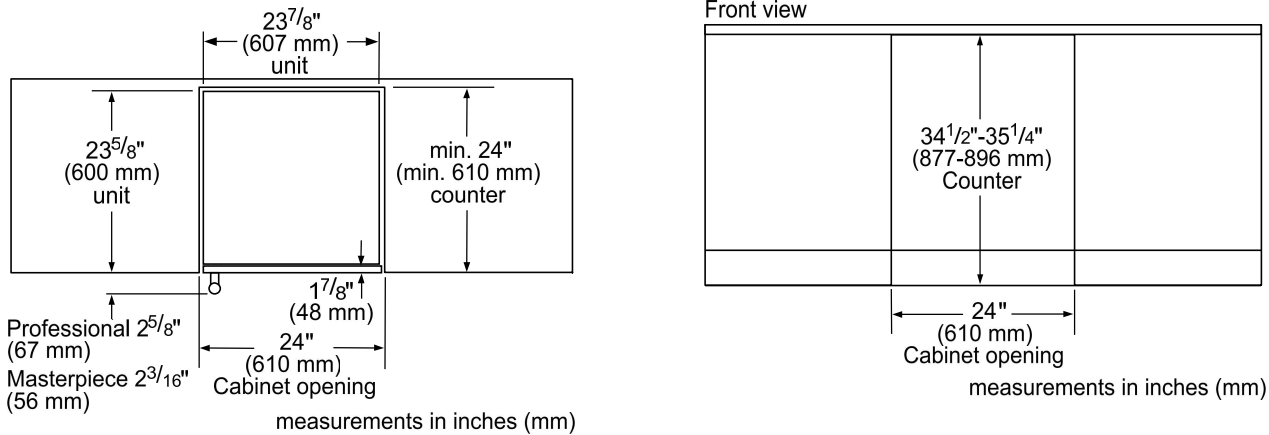
PROFESSIONAL SERIES HANDLE - RIGHT HINGED



### GLASS DOOR WINE RESERVE PRODUCT DIMENSIONS



### GLASS DOOR WINE RESERVE CUTOUT DIMENSIONS



### GLASS DOOR WINE RESERVE CUTOUT DIMENSIONS & ELECTRICAL LOCATION

