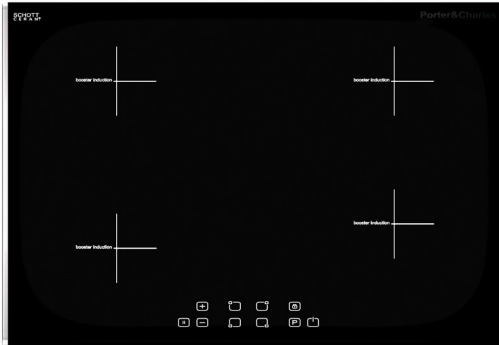


CI76-V

30" Built-In Induction Cooktop



Signature Features

Black Ceramic Glass Surface

Smooth surface offers a modern style in an easy-to-clean design.

Induction Zones

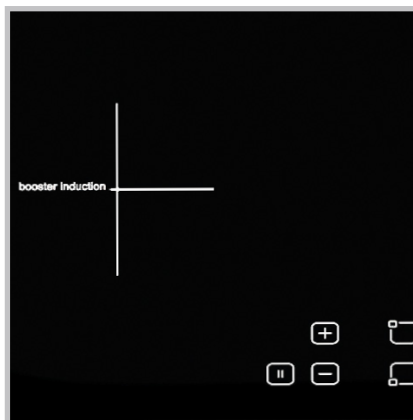
Faster and safer, magnetic waves induce heat directly to the pan for quick boiling and intense sears, leaving less heat on the surface.

Digital Touch Control

Accurately control your heating with user-friendly touch controls on a surface that is easy to clean.

General Properties

- Induction Cooktop
- Black Ceramic Glass Surface
- Stainless Steel Trim
- Beveled Edges



Power Boost



Stainless Steel Trim

Features

- 4 induction zones
- 9 power levels with Power Boost
- Touch control panel
- Automatic switch off
- Smart Pause
- Count-down timer
- Residual heat indicator
- Child safety lock
- Shallow depth allows for easy install over drawers or an oven

Cooktop Performance

- 2 x 16cm Single Zones**
 - 1,400 Watts
 - 1,800 Watt - Power Boost
- 2 x 20cm Single Zones**
 - 1,800 Watts
 - 2,500 Watt - Power Boost

Technical Specifications

Cooktop Dimensions (W/H/D)

- 30^{3/4}" / 2^{1/16}" / 20^{9/16}"
- 781mm / 52mm / 522mm

Cut Out Dimensions (W/H/D)

- 29^{1/2}" / min. 3^{1/8}" / 19^{5/16}"
- 750mm / min. 80mm / 490mm

Electrical Requirements

- 208/240 volt, 60Hz, 40 amp, 7400W
- Supplied with a 5ft long electrical cable and must be hard wired

CI76V

Specifications

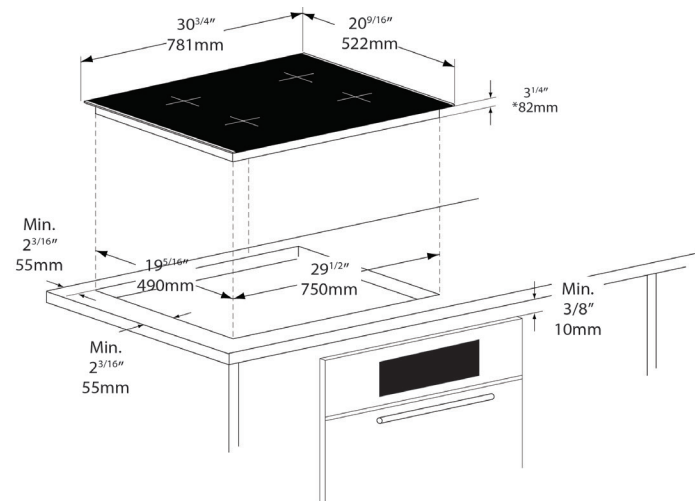


Product Dimensions (W/H/D)

- Width: 30³/₄" (781mm)
- Height: 2¹/₁₆" (52mm)
- Depth: 20⁹/₁₆" (522mm)

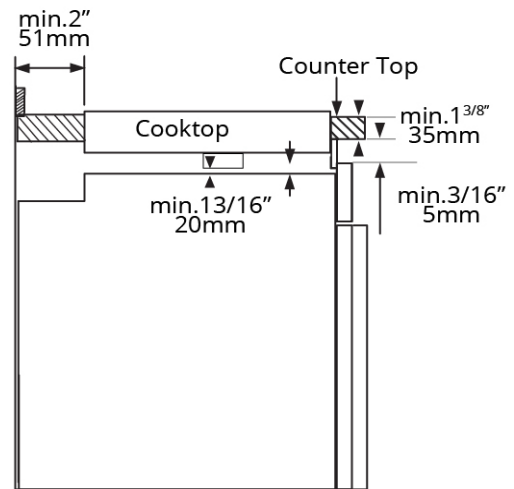
Cut Out Dimensions (W/H/D)

- Width: 29¹/₂" (750mm)
- Height: min. 3⁷/₈" (80mm)
- Depth: 19⁵/₁₆" (490mm)

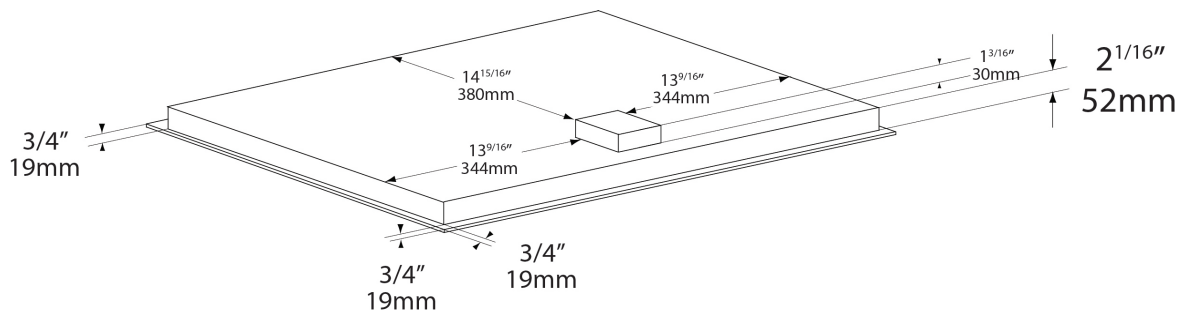


Side View

- There must be a minimum of 20mm (13/16") of space between the bottom of the cooktop and the oven to allow air to flow.
- There must be a minimum of 5mm (3/16") of space between the countertop and built-in oven/drawer door panel.
- If there is insufficient airflow, the appliances life span will be shortened.



Underneath View

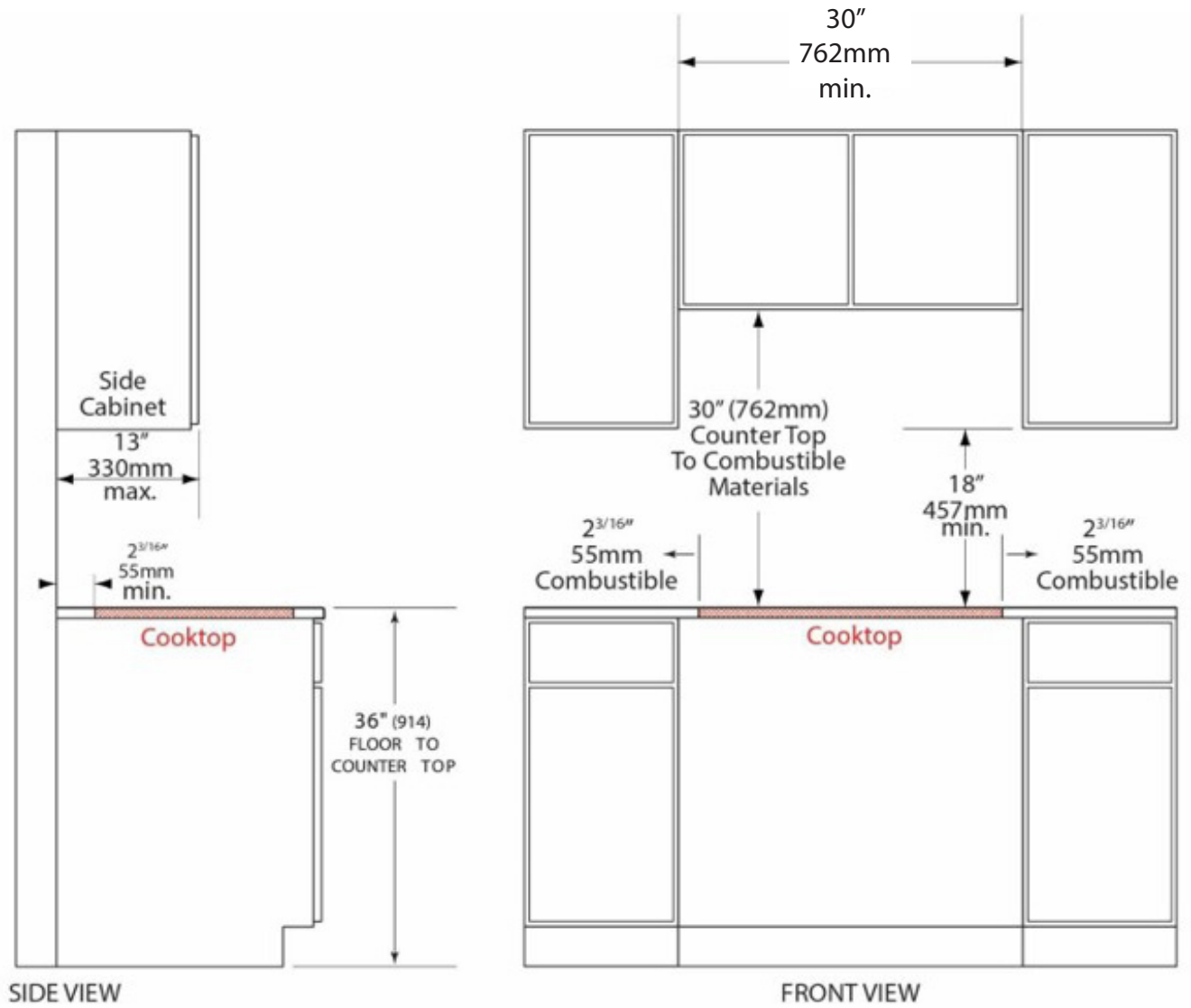


CI76V

Specifications



Recommended Minimum Clearance



Other Product Downloads Available at porterandcharles.ca

- [Download User Manual](#)



WARRANTY INFORMATION

Porter & Charles Appliances are designed and manufactured to the highest standards. Each appliance is covered by a comprehensive 2-year parts and labour warranty. Refer to product warranty policy for complete terms and conditions.

FOR PARTS & SERVICE

Euro-Parts & Service
39822 Belgrave Road, Belgrave, ON. N0G 1E0 1 866 722 2262
www.euro-parts.ca • parts@euro-parts.ca • service@euro-parts.ca

Porter & Charles appliances are imported and distributed in North America by Euro-Line Appliances Inc. For more information, please visit one of our showrooms or www.ela.ca / www.elawest.ca

EURO-LINE APPLIANCES INC.

871 Cranberry Court, Oakville, ON
L6L 6J7 Canada
905 829 3980
1 800 421 6332
info@ela.ca

EURO-LINE APPLIANCES INC.

101-1014 Homer Street, Vancouver, BC
V6B 2W9, Canada
604 235 3980
1 855 ELA WEST (352 9378)
info@elawest.ca