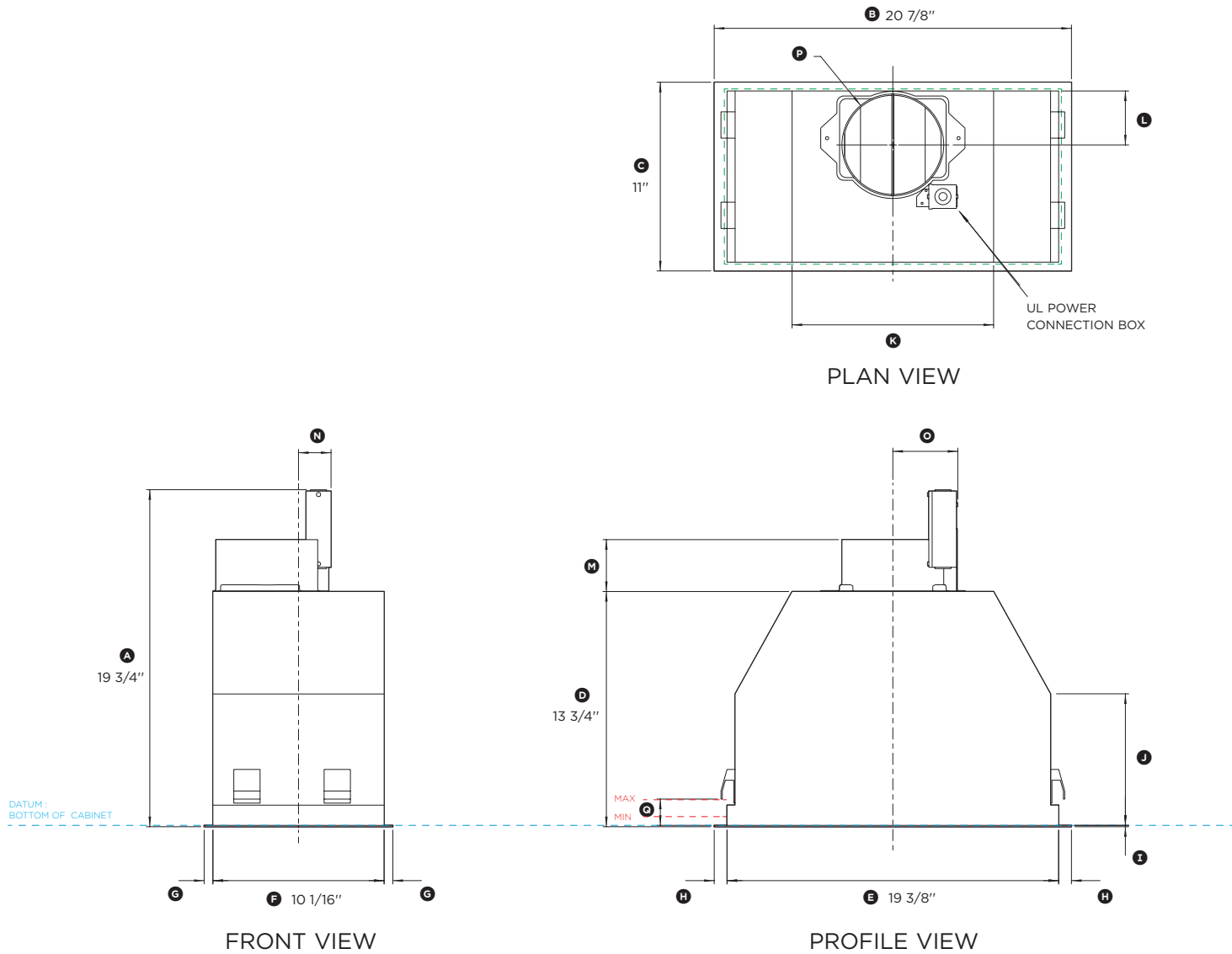


Modèle	HP24ILTX1
<b>Apparence extérieure</b>	
Grade d'acier inoxydable	430
<b>Dimensions</b>	
Dimensions	20 7/8" (W) X 11" (D) X 13 3/4" (H)
<b>Caractéristiques</b>	
Contrôle	Électronique affleurante
Éclairage	2 ampoules, 50W halogènes (ampoules incluses), 2 intensités d'éclairage
Type d'installation	Extérieure seulement
Type de moteur	600 PCM, 4 vitesses
Puissances du moteur	Vitesse 1, 316 PCM, 48 dBa Vitesse 4, 615 PCM, 67 dBa
Type de filtre	2X Filtres mesh en aluminium allant au lave-vaisselle
Cheminée télescopique	Plafond moins que 7'4" de hauteur Pour un plafond de 7'4" à 8'10" de hauteur Pour un plafond de 8'7" à 9'6" de hauteur
Type de transition de sortie	6" circulaire (dessus)
Arrêt automatique	Oui (15 minutes de délai)
<b>Conditions électriques</b>	
Exigences électriques	120V-60 HZ / 530 Watt
<b>Garantie</b>	
Garantie complète de 2 ans	Appareil complet: pièces et main d'oeuvre; à domicile



Model no:

**HP24ILTX1**

(refer page 3 for metric measurements)

Product Dimensions	in
Ⓐ Overall height of range hood	19 3/4"
Ⓑ Overall width of range hood	20 7/8"
Ⓒ Overall depth of range hood	11"
Ⓓ Height of range hood chassis	13 3/4"
Ⓔ Width of range hood chassis	19 3/8"
Ⓕ Depth of range hood chassis	10 1/16"
Ⓖ Depth of flange	1/2"
Ⓗ Width of flange	3/4"
Ⓘ Thickness of flange	1/16"
Ⓚ Height of side of chassis	7 11/16"
Ⓛ Width of top of chassis	11 3/4"
Ⓜ Distance from ducting outlet center to rear of chassis	3 1/8"
Ⓝ Height of ducting adaptor	3"
Ⓟ Distance from hood centerline to front of power connection box	1 7/8"
Ⓠ Distance from hood centerline to side of power connection box	3 13/16"
Ⓡ Diameter of ducting outlet	6"
Ⓢ Height adjustability of clip that secures range hood (cabinet base panel thickness)	min 9/16" - max 1 9/16"

Cutout Dimensions	in
Overall width of cutout*	19 11/16"
Overall depth of cutout*	10 1/4"

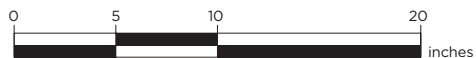
\* Note cutout position is centered to the range hood width and depth.

Clearance Dimensions	in
Height from top of cooktop to base of product	26" - 30"

INDICATES CUTOUT -----  
 INDICATES CABINETY / PRODUCT DATUM -----  
 INDICATES CABINETY CLEARANCES -----

DATE: 02.09.2016

IMPORTANT NOTE: Throughout this guide, dimensions may vary by ±2mm (1/16"). Please read the installation manual for detailed information on installing the product. For full installation instructions & specifications visit [fisherpaykel.com](http://fisherpaykel.com)



Model no:

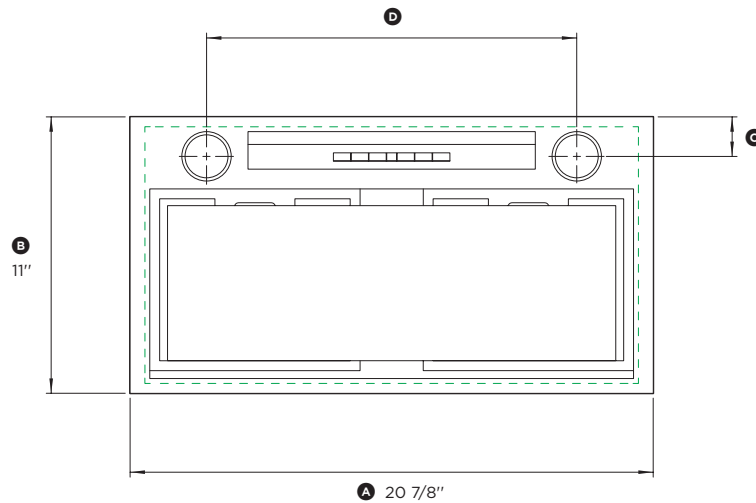
**HP24ILTX1**

(refer page 4 for metric measurements)

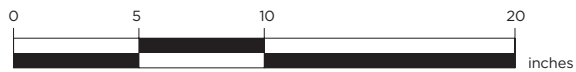
Product Dimensions	in
Ⓐ Overall width of range hood	20 7/8"
Ⓑ Overall depth of range hood	11"
Ⓒ Distance from front of range hood to center of lights	1 9/16"
Ⓓ Distance between lights	14 3/4"

Cutout Dimensions	in
Overall width of cutout*	19 11/16"
Overall depth of cutout*	10 1/4"

\* Note cutout position is centered to the range hood width and depth.



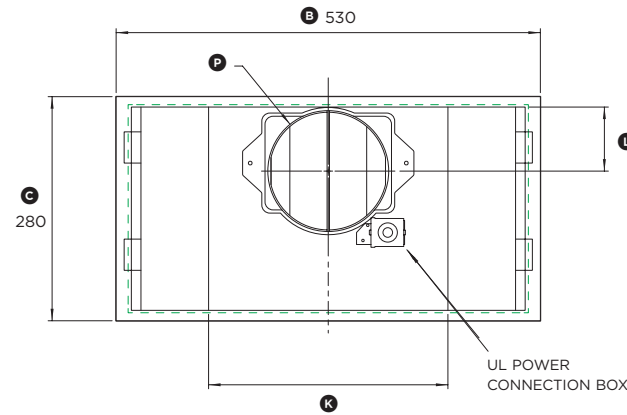
BOTTOM VIEW



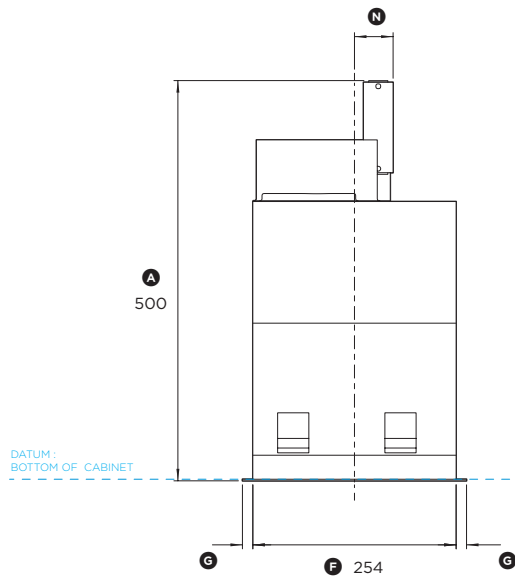
INDICATES CUTOUT -----

DATE: **02.09.2016**

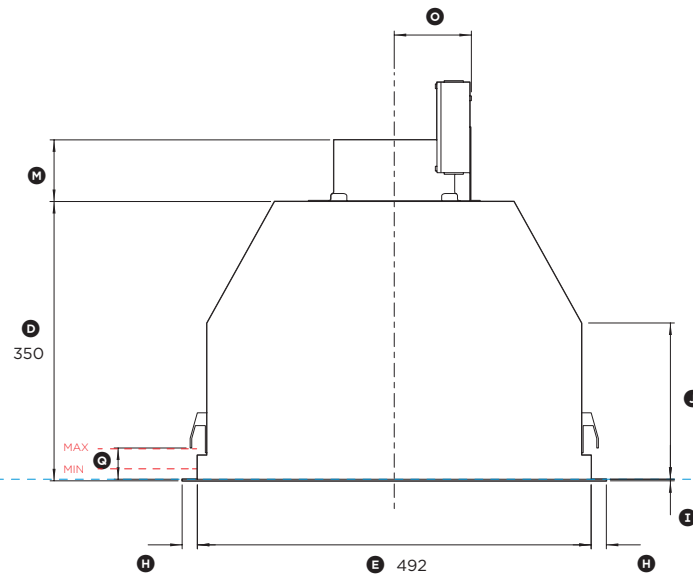
IMPORTANT NOTE: Throughout this guide, dimensions may vary by ±2mm (1/16"). Please read the installation manual for detailed information on installing the product. For full installation instructions & specifications visit [fisherpaykel.com](http://fisherpaykel.com)



PLAN VIEW



FRONT VIEW



PROFILE VIEW

Model no:

HP24ILTX1

(refer page 1 for imperial measurements)

Product Dimensions	mm
Ⓐ Overall height of range hood	480
Ⓑ Overall width of range hood	530
Ⓒ Overall depth of range hood	280
Ⓓ Height of range hood chassis	350
Ⓔ Width of range hood chassis	492
Ⓕ Depth of range hood chassis	255
Ⓖ Depth of flange	13
Ⓗ Width of flange	19
Ⓘ Thickness of flange	2
Ⓚ Height of side of chassis	195
Ⓛ Width of top of chassis	298
Ⓜ Distance from ducting outlet centre to rear of chassis	80
Ⓝ Height of ducting adaptor	77
Ⓟ Distance from hood centreline to front of power connection box	48
Ⓠ Distance from hood centreline to side of power connection box	96
Ⓡ Diameter of ducting outlet	152
Ⓢ Height adjustability of clip that secures range hood (cabinet base panel thickness)	min 15 - max 40

Cutout Dimensions	mm
Overall width of cutout*	500
Overall depth of cutout*	260

\* Note cutout position is centred to the range hood width and depth.

Clearance Dimensions	mm
Height from top of cooktop to base of product	660 - 762

INDICATES CUTOUT -----  
 INDICATES CABINETRY / PRODUCT DATUM -----  
 INDICATES CABINETRY CLEARANCES -----

DATE: 02.09.2016

IMPORTANT NOTE: Throughout this guide, dimensions may vary by ±2mm (1/16"). Please read the installation manual for detailed information on installing the product. For full installation instructions & specifications visit [fisherpaykel.com](http://fisherpaykel.com)



Model no:

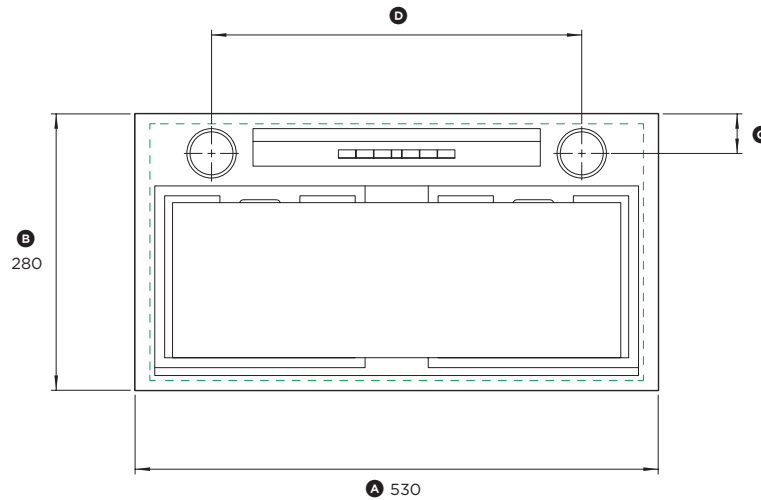
**HP24ILTX1**

(refer page 2 for imperial measurements)

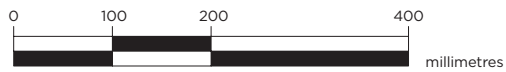
Product Dimensions	mm
Ⓐ Overall width of range hood	530
Ⓑ Overall depth of range hood	280
Ⓒ Distance from front of range hood to centre of lights	40
Ⓓ Distance between lights	375

Cutout Dimensions	mm
Overall width of cutout*	500
Overall depth of cutout*	260

\* Note cutout position is centred to the range hood width and depth.



BOTTOM VIEW



INDICATES CUTOUT -----

DATE: **02.09.2016**

IMPORTANT NOTE: Throughout this guide, dimensions may vary by  $\pm 2\text{mm}$  (1/16"). Please read the installation manual for detailed information on installing the product. For full installation instructions & specifications visit [fisherpaykel.com](http://fisherpaykel.com)