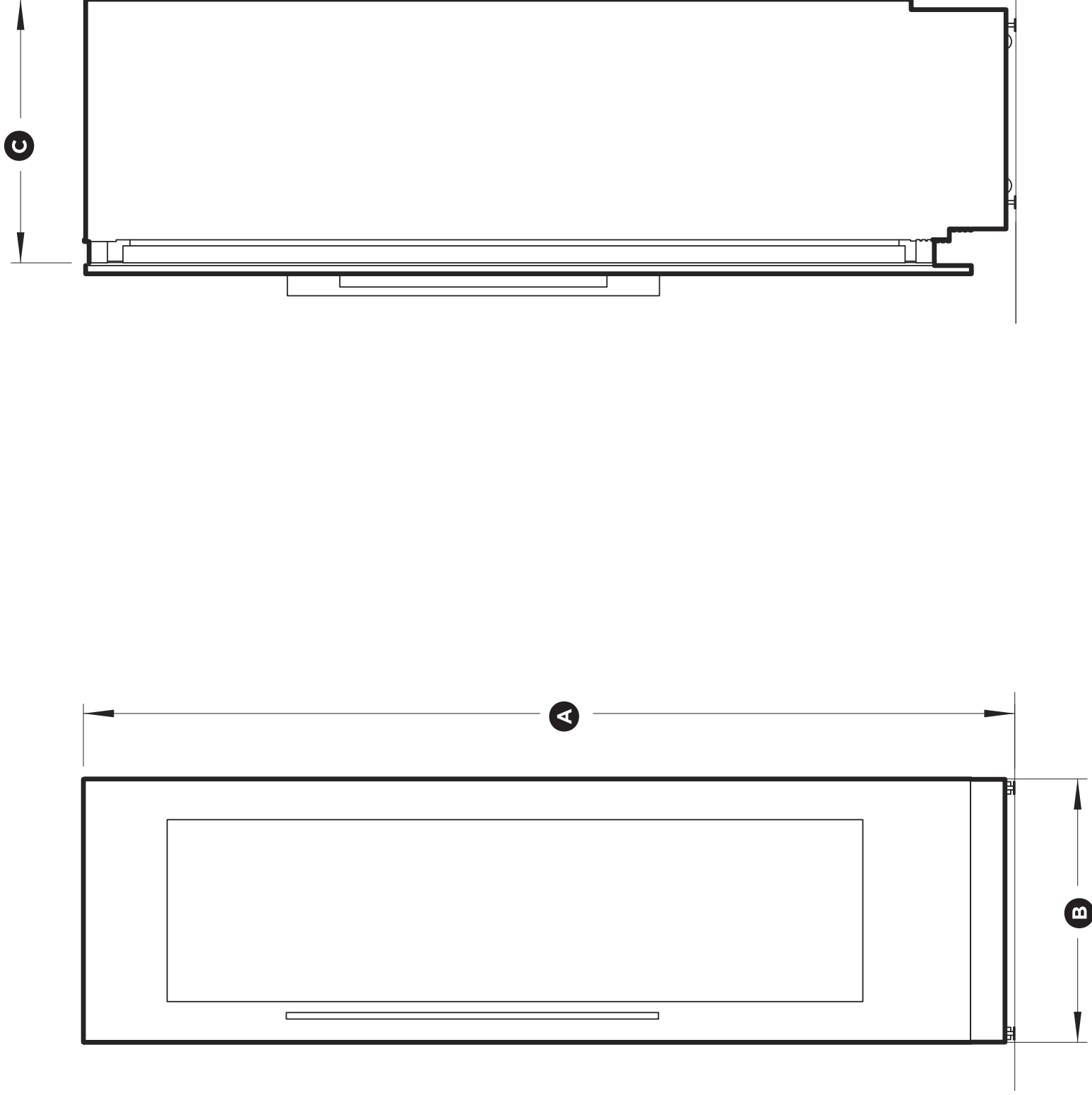




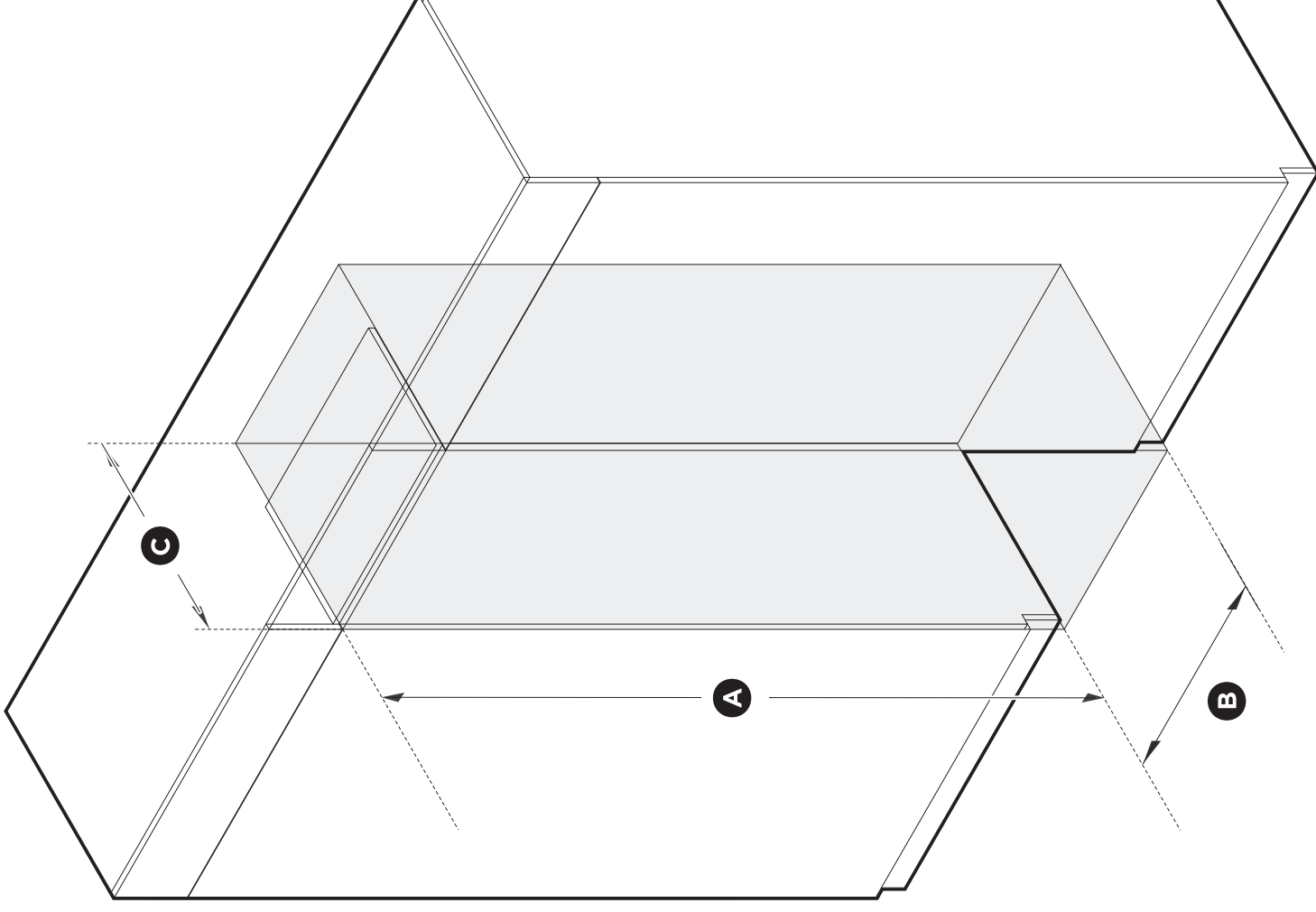
Selected Model	
Model number	RS2484VR2K1 + RD2484VR4
Dimensions	
Overall Width (in.)	23 3/4"
Depth (in.)	24"
Overall Height (in.)	84"
Exterior Appearance	
Door Design	Custom Panel Ready
Built-in	Yes
Frontage Color	Custom Panels
Concealed Hinges	Yes
Door	UV tempered glass
Features	
Configuration	24" Column Integrated Wine Cabinet single door
Temperature Management System	ActiveSmart™
Door swing	Right
Interior Lighting	LED, top and sides
Conservation Mode	4
Control Type	Easy access Soft touch control
Display shelf	Yes
Full extension shelves	13
Rated load shelves	88 pounds
Temperature zone	2 Independent freezing zones
Capacity	
Total Capacity	91 Bottles
ActiveSmart™	
Compressor Type	Variable
Door Alarm	Yes
Pairing model	
Left	RS2484VL2K1 + RD2484VL4
Electrical Requirements	
Volts; Hertz; Amps	115V; 60Hz; 10 Amp
Accessories (Included)	
Panels	RD2484VR4
Accessories (optionnal)	
Label options	Wine identification label (AVL14)
Warranty	
Full 2 years	Entire Appliance; In-Home; Parts & Labour
5 years warranty	Sealed system (parts only)

APPLIANCE DIMENSIONS



PRODUCT DIMENSIONS	INCHES	MM
Ⓐ Overall height of product	84"	2134
Ⓑ Overall width of product	23 3/4"	603
Ⓒ Overall depth of product (excluding front door panel)	24"	610
Weight (including packaging)	380lbs	172kg

CAVITY DIMENSIONS



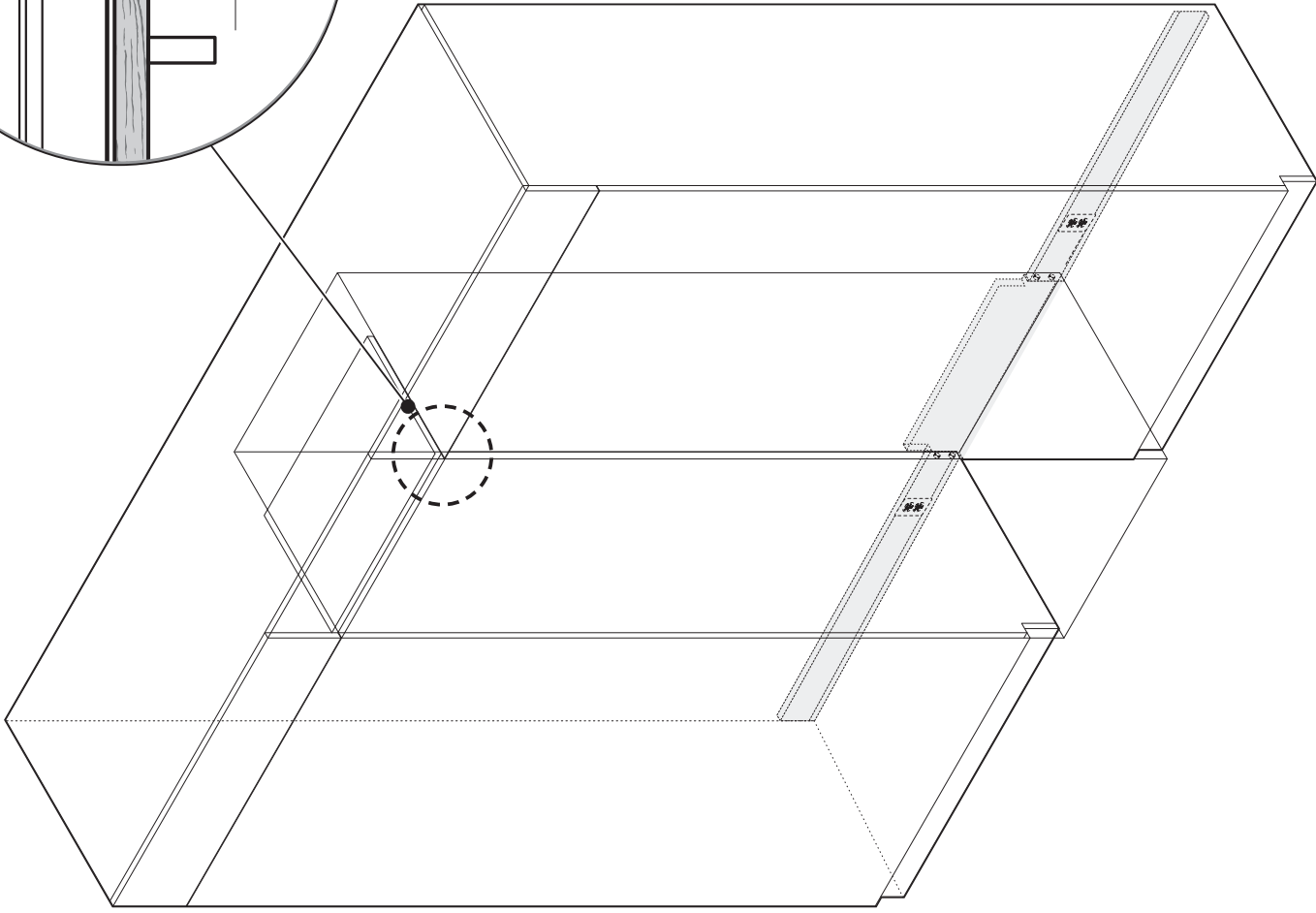
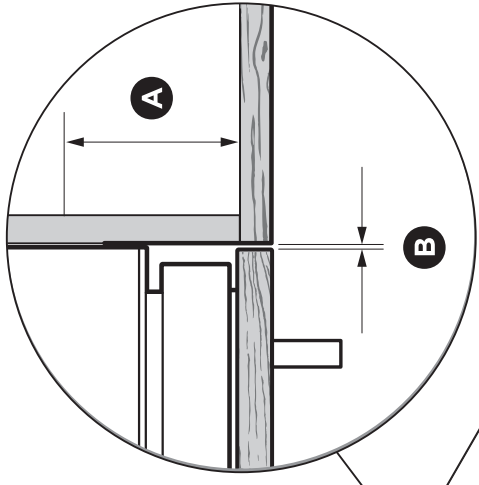
CAVITY DIMENSIONS		INCHES	MM
(A)	Overall height of cavity	84"	2134
(B)	Overall width of cavity	24"	610
(C)	Overall depth* (including door panel) if power plug is located in adjacent cabinet	25"	635
	Overall depth* (including door panel) if power plug is located behind appliance	25 9/16"	650

* Cavity depth assumes door panel thickness of 19mm.

CAVITY DIMENSIONS

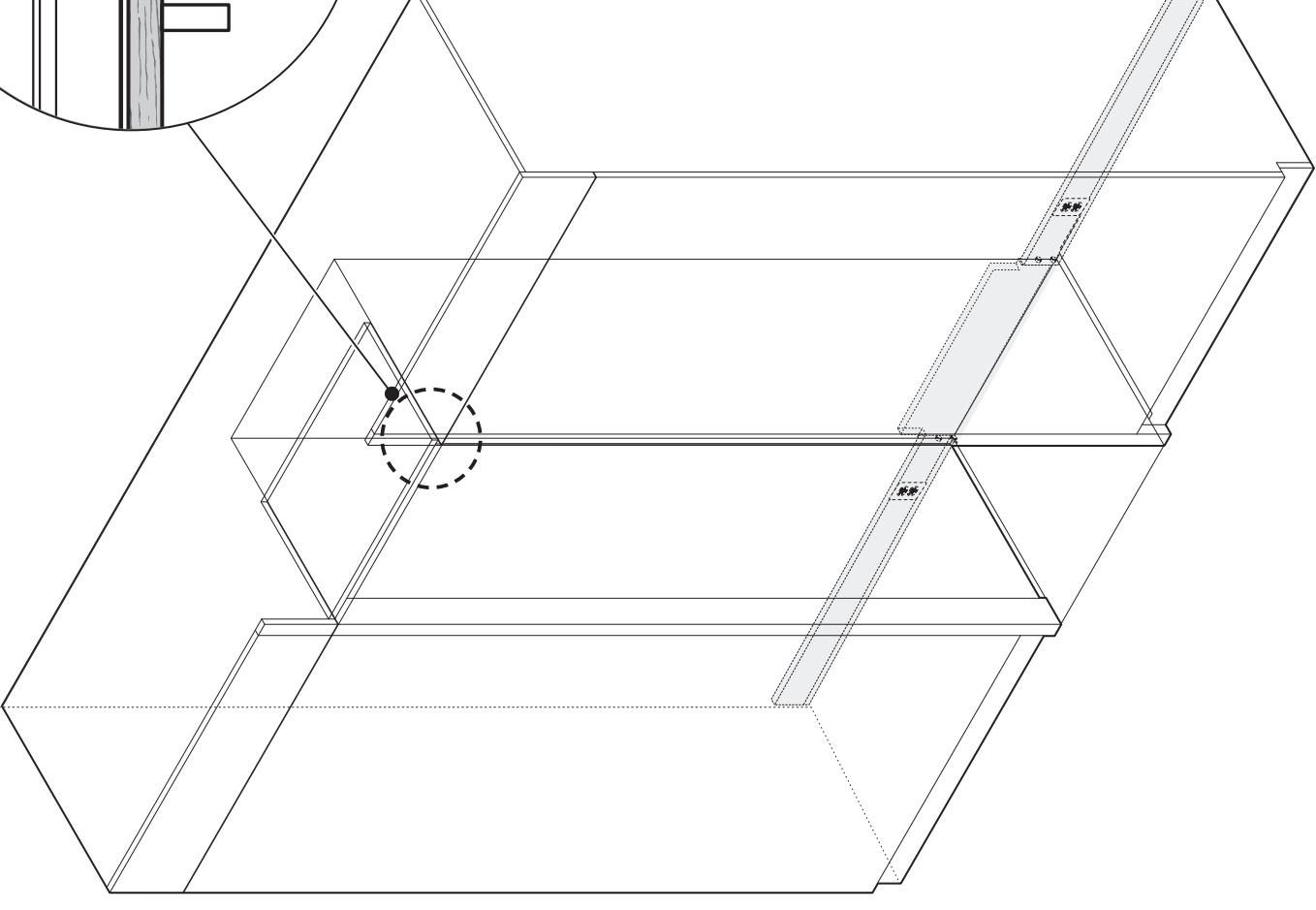
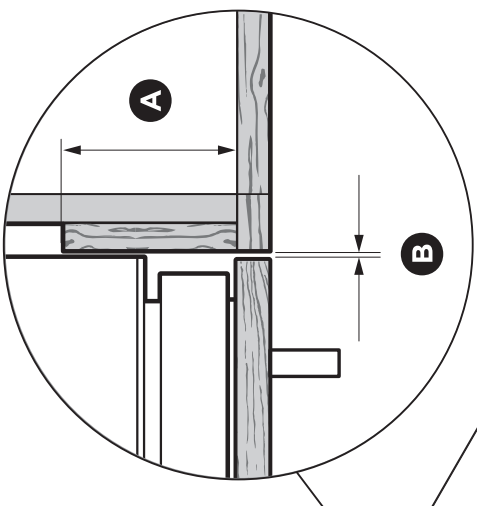
Frameless Cabinetry

Aligns appliance flush with the cabinetry



Framed Cabinetry

Aligns appliance flush with the frame of cabinetry

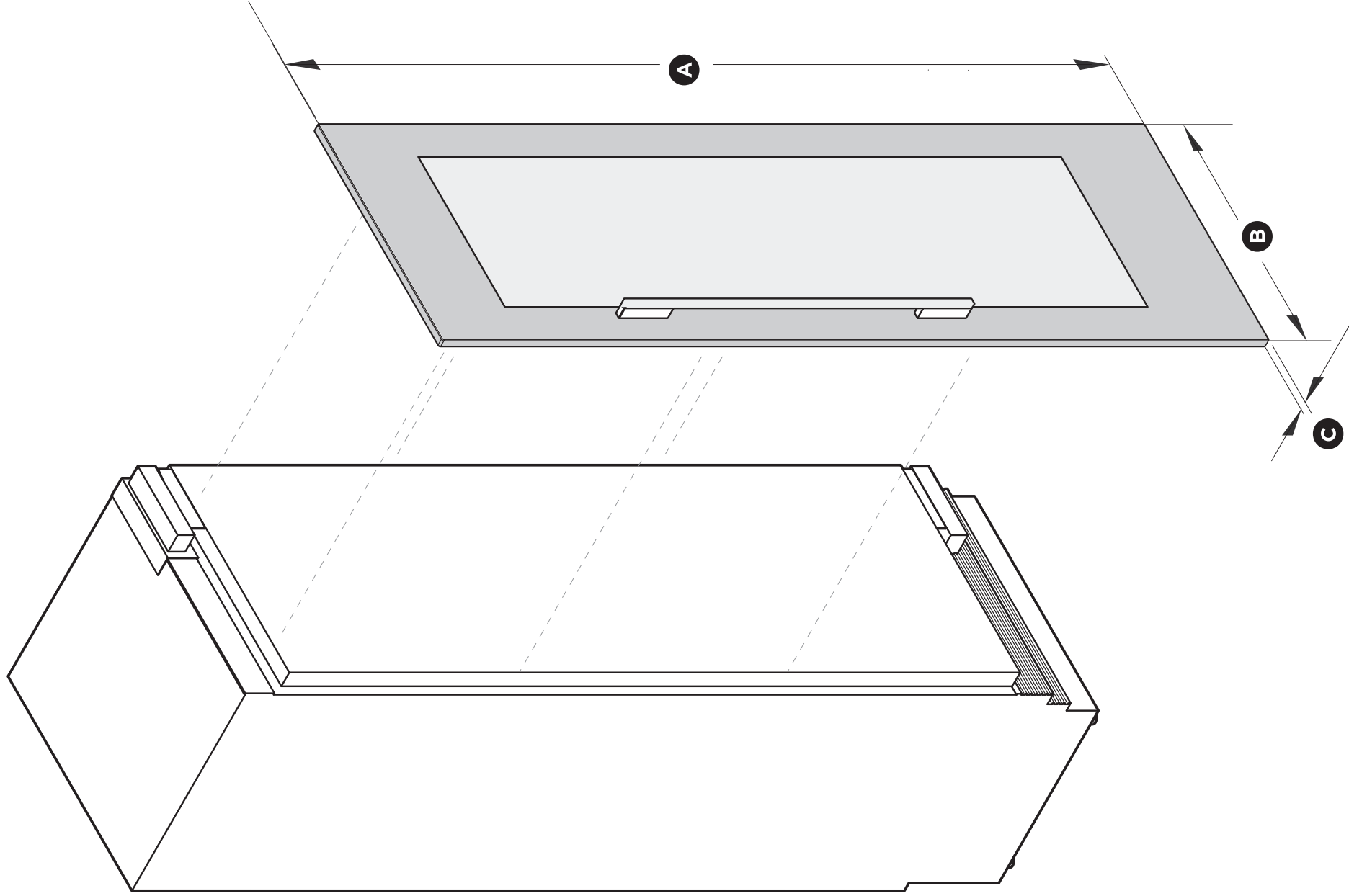


CAVITY DIMENSIONS

	INCHES	MM
(A) Minimum required finished return (cavity sides and top)	4"	102
(B) Minimum cabinetry gap clearance from edge of door panels	1/8"	3

DOOR PANEL DIMENSIONS

STAINLESS STEEL/CUSTOM DOOR PANEL



DOOR PANEL DIMENSIONS (STAINLESS STEEL)		INCHES	MM
(A)	Height of door panel	79 7/8"	2029
(B)	Width of door panel	23 3/4"	603
(C)	Depth of door panel (excluding door handle)		3/4" (19)
DOOR PANEL DIMENSIONS (CUSTOM)*			
(A)	Height of door panel	77 7/8" - 81 7/8"	1978 - 2080
(B)	Width of door panel	23 3/4"	603
(C)	Depth of door panel	min 5/8" - max 1"	16 - 25
DOOR PANEL WEIGHT		LB (KG)	
Maximum weight of Stainless steel/Custom door panel (including handle/brackets)†		55lb (25kg)	

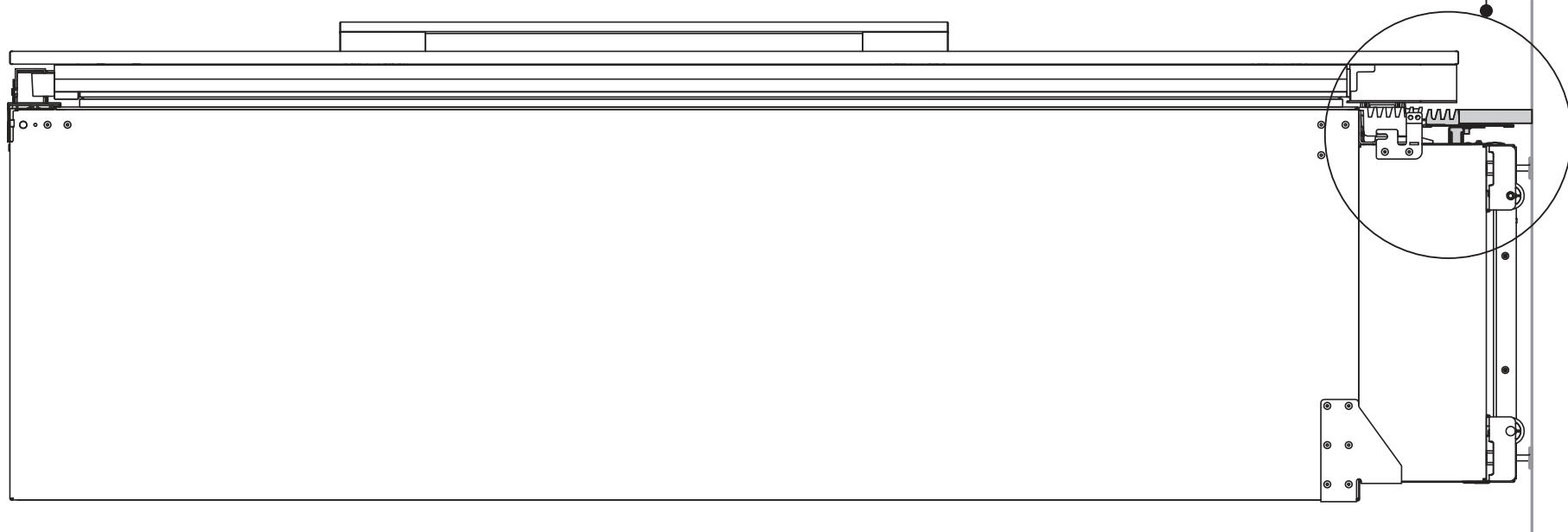
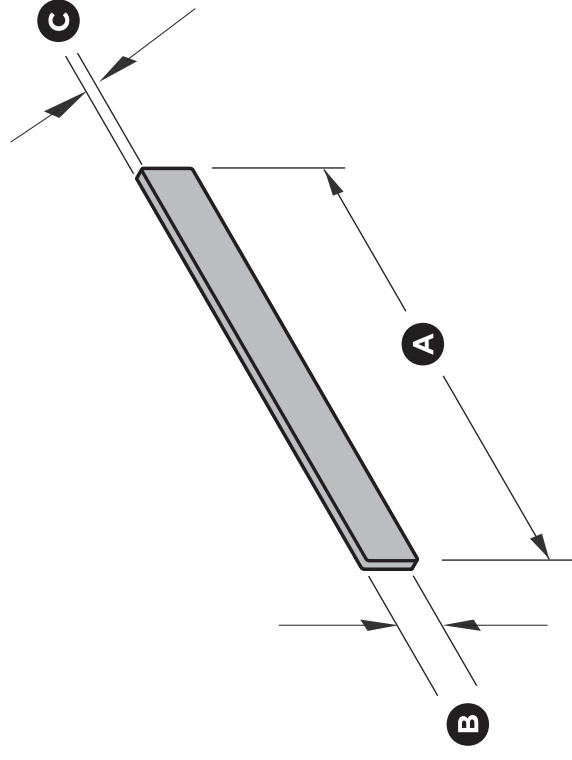
† Door handle kit is available as an optional accessory for both Stainless Steel door panels and Custom door panels and must be purchased separately.

TOE KICK PANEL DIMENSIONS

TOE KICK DIMENSIONS		INCHES	MM
(A)	Width of toe kick Stainless steel panel/Custom panel	23 7/8"	607
(B)	Height of toe kick* Stainless steel panel Custom panel**	4" 2" - 6"	102 50 - 152
(C)	Depth of toe kick (measured from front of door) Stainless steel panel/Custom panel	2 7/8" - 4"	73 - 102

Standard toe kick height is 4" (102mm) with the optional Stainless door panel. For Custom door panel installation, a custom toe kick 2 - 6" (50 - 152mm) can be manufactured and fitted by cabinetmaker. The Custom door panel height needs to be adjusted accordingly.

** Extra bottom grilles are required for a 2" (50mm) toe kick installation. You can purchase the extra bottom grille (Part No. 847542P) online at fisherpaykel.com.



2" (50mm) toe kick height*
(with extra lower grille attached)

Standard toe kick height is 4" (102mm)
with Stainless steel door panel

6" (152mm) toe kick
height**

2 7/8" - 4" (73 - 102mm) toe kick depth
measured from rear of door panel

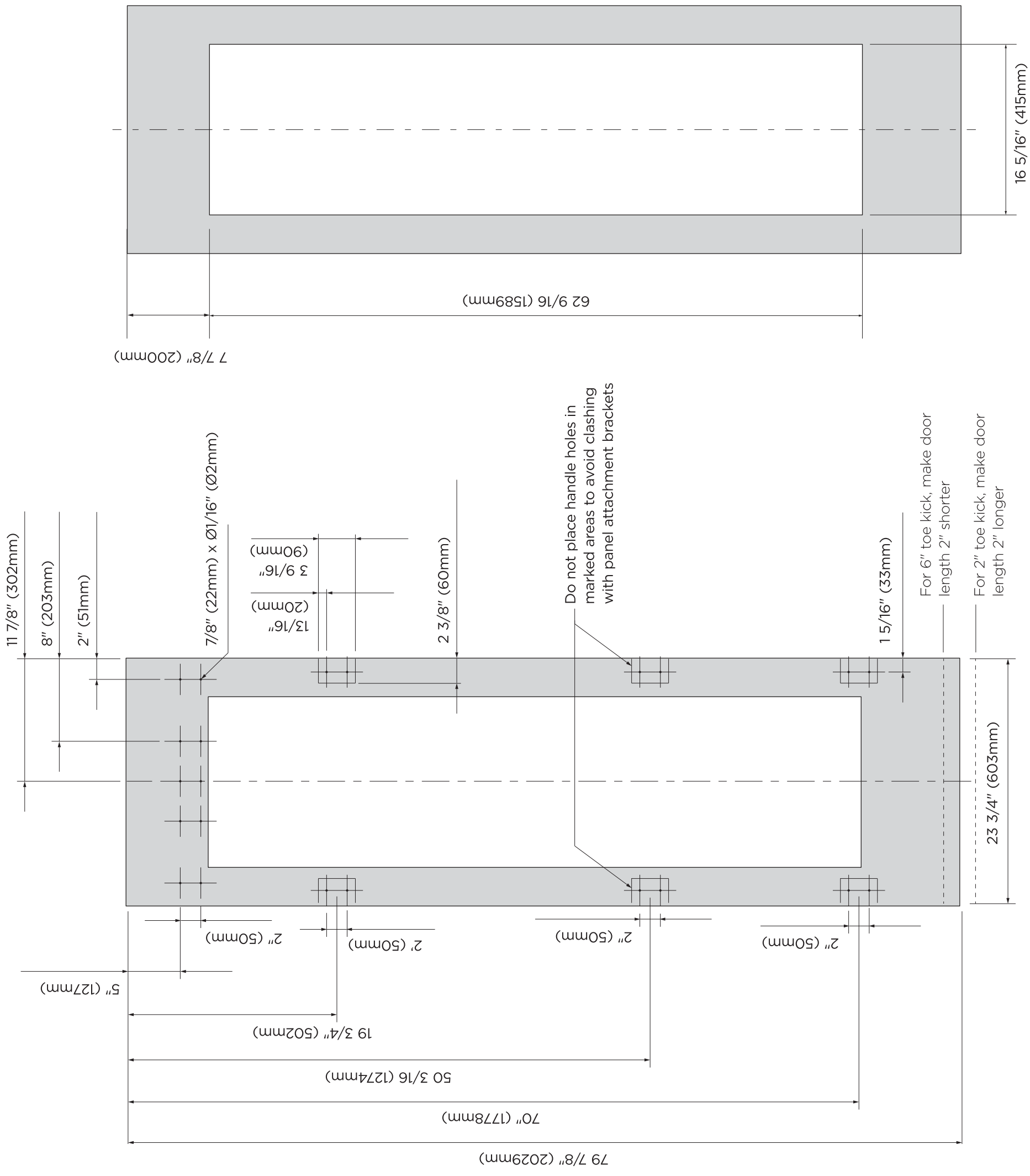
CUSTOM DOOR PANEL DIMENSIONS

Custom door panel dimensions

Dimensions apply for the preparation and installation of Custom door panels. For Dwg and Dxf files of the below panel preparation download the folder on thekitchentools.fisherpaykel.com.

IMPORTANT!

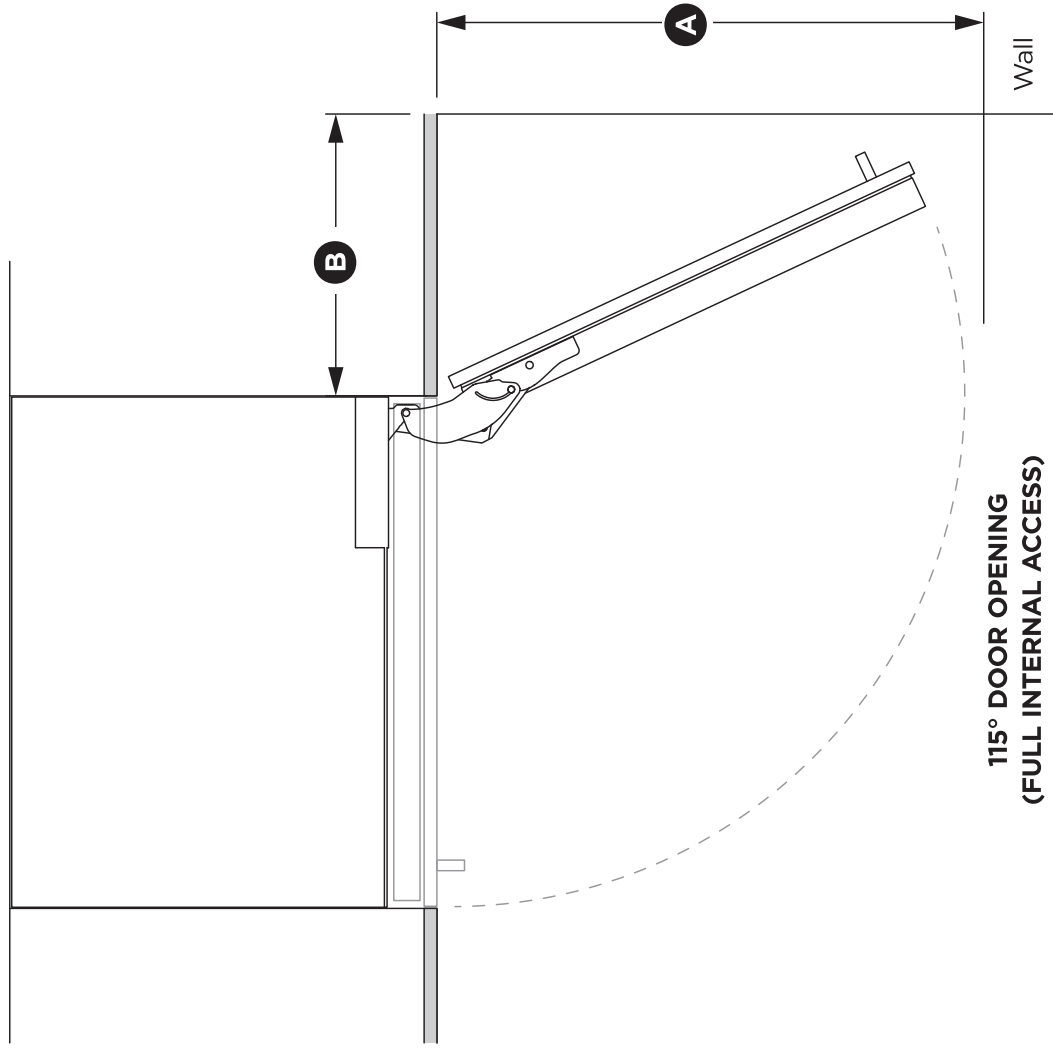
- The thickness of the custom door panel can vary as long as the screws do not penetrate beyond the full depth of the door panel, and as long as the overall weight of the panel does not exceed 55lb/25kg.
- Measurements of screw hole locations can vary depending on the height of toe kick 2 - 6"/50 - 152mm.



DOOR CLEARANCE

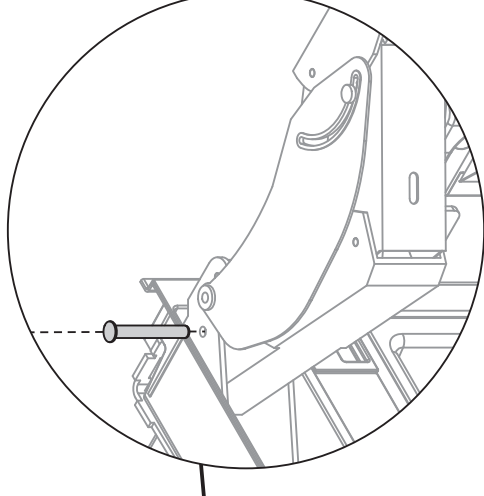
IMPORTANT!

Ensure the appliance is stable before opening the door.

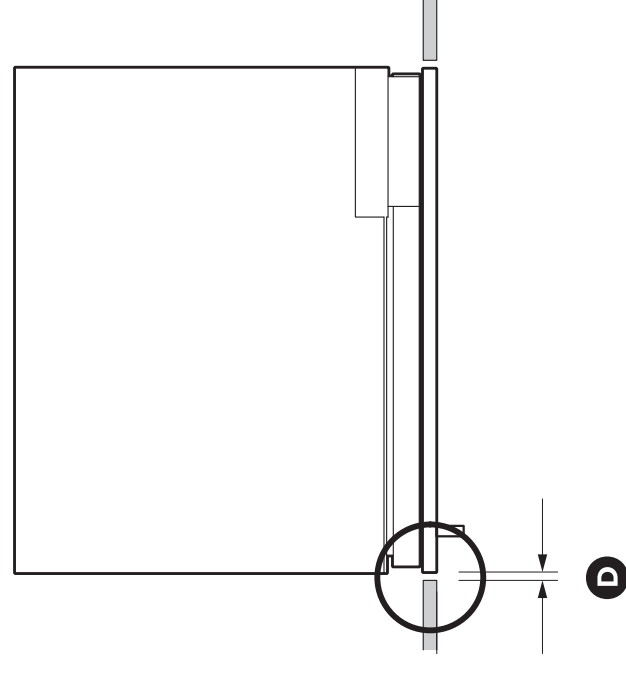
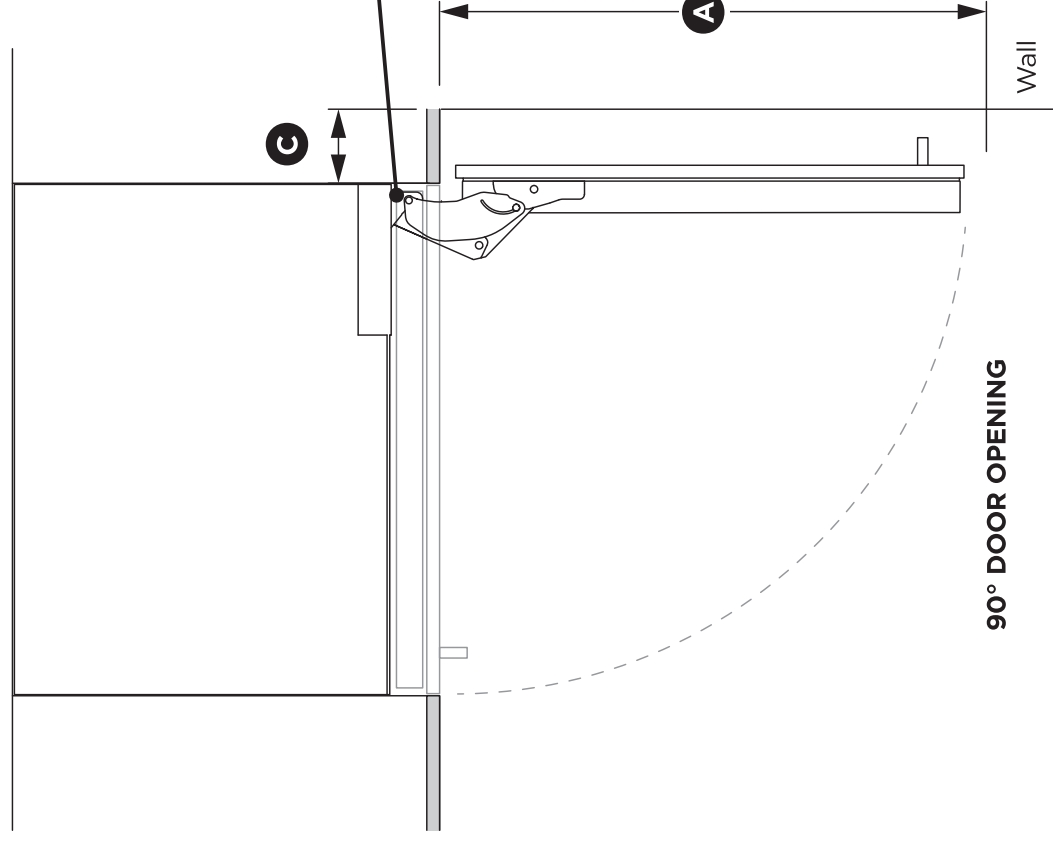


IMPORTANT!

- Ensure the hinge limiting pin is inserted before pushing the appliance into the cabinetry.
- The pin fits in the boreholes of the top hinge.



Insert hinge limiting pin (supplied) to limit door swing to 90°.



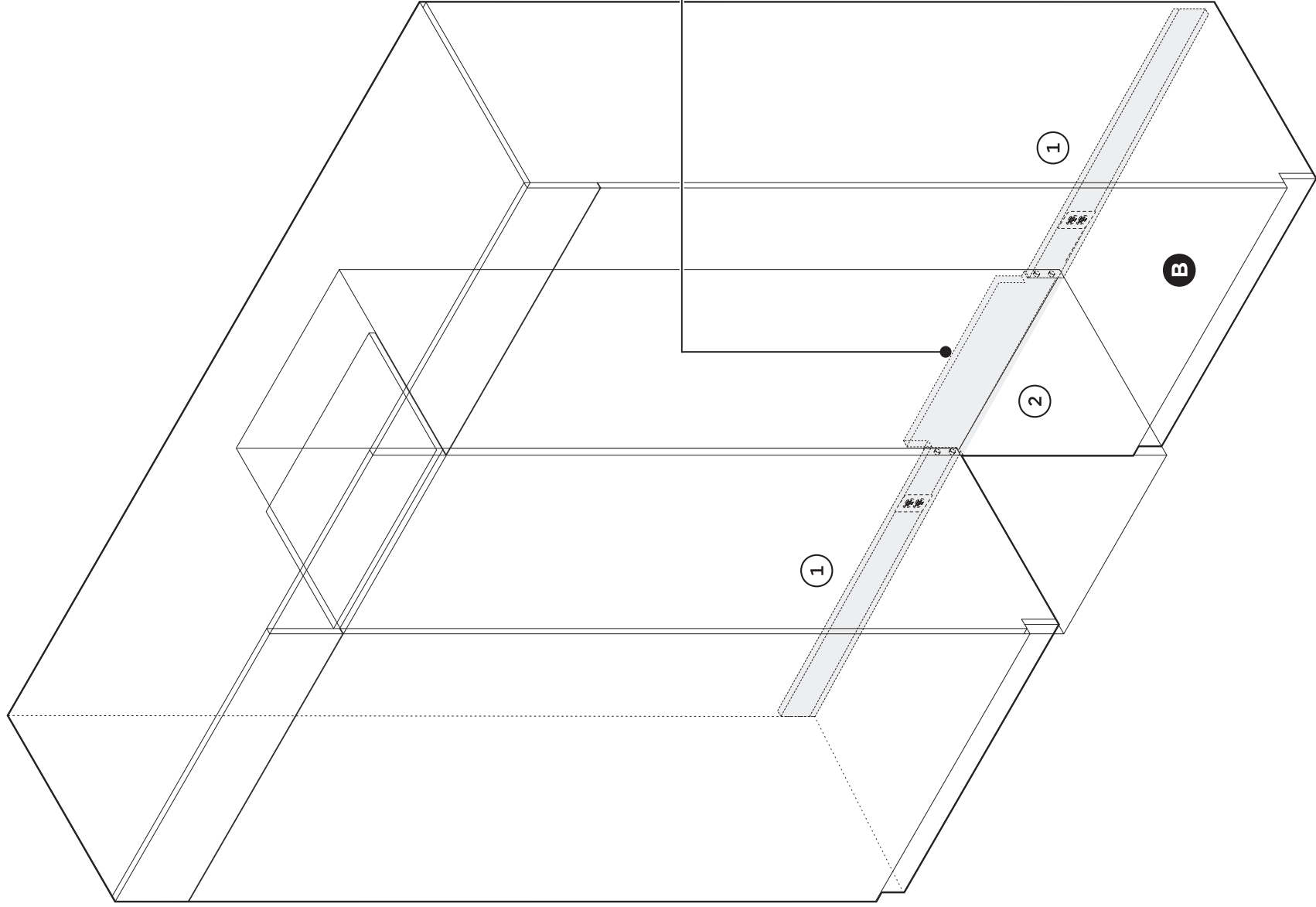
CLEARANCE DIMENSIONS		
	INCHES	MM
(A) Depth of door (90° open) measured from front of door	26"	660
(B) Minimum door clearance* to adjacent wall (115° — full internal access)	14"	356
(C) Minimum door clearance* to adjacent wall (90° — reduced internal access)	4 5/16"	110
(D) Minimum cabinetry gap clearance from edge of door panels	1/8"	3

Note: Door clearance measured from front cabinetry edge.

ELECTRICAL DIMENSIONS

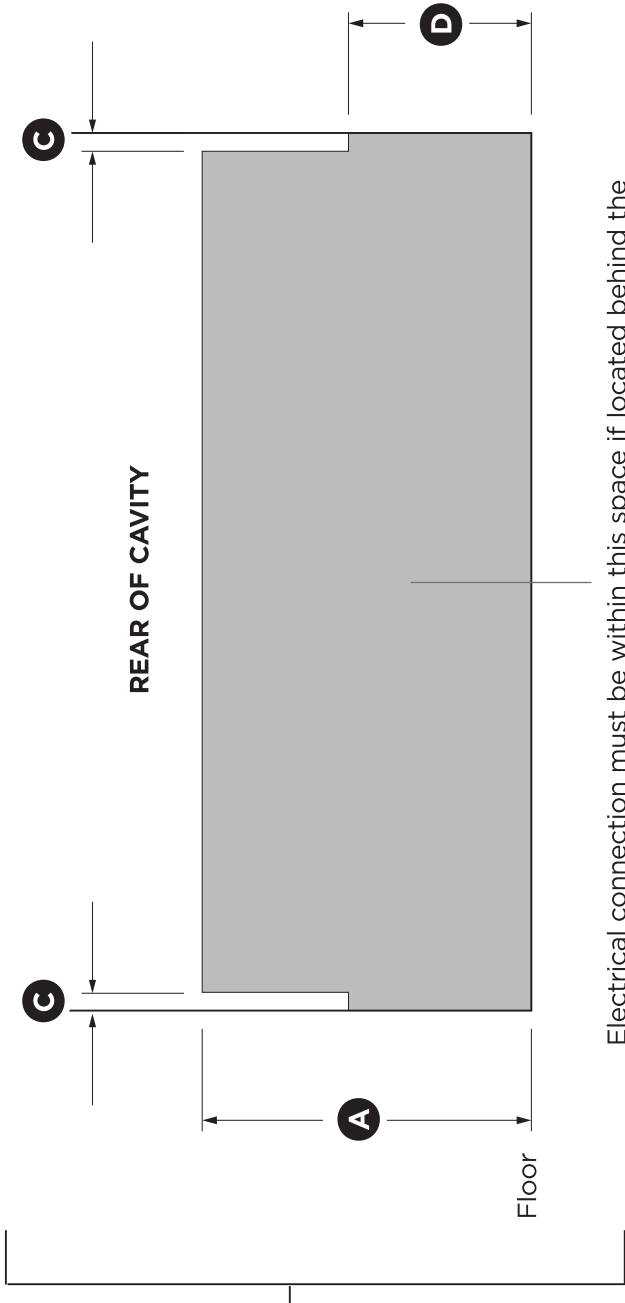
WARNING!

- Electric shock hazard! Assume all parts live.
- Disconnect power supply before servicing and installation.



ELECTRICAL AND PLUMBING CONNECTIONS

- ① Recommended location for connections in adjacent area or unit
- ② Alternative location for connections at rear of cavity

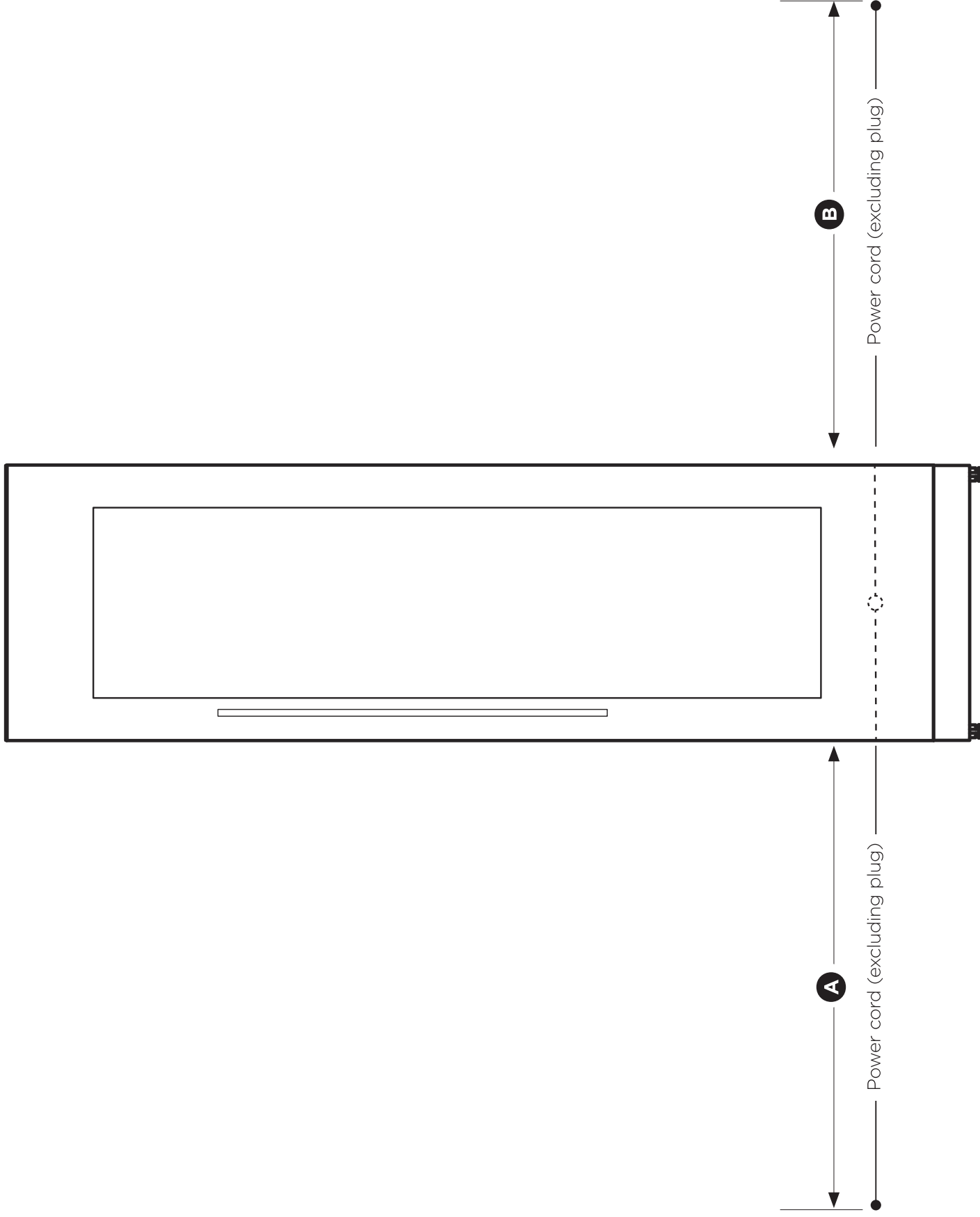


ELECTRICAL DIMENSIONS

	INCHES	MM
Ⓐ Overall height of supply area	9"	229
Ⓑ Overall depth of supply area	1"	25
Ⓒ Width of notch in supply area (both sides)	1/2"	13
Ⓓ Height of sides of supply area (both sides)	5"	127

Note: Dimensions are based on minimum depth of cavity.

ELECTRICAL SPECIFICATIONS



MAXIMUM DISTANCE OF POWER CORD AND WATER HOSE		INCHES	MM	ELECTRICAL SPECIFICATIONS	
Ⓐ	Power cord length from left side edge of appliance (excluding plug)	71 1/4	1809	Supply	115 VAC, 60 Hz
Ⓑ	Power cord length from right side edge of appliance (excluding plug)	72 1/4	1835	Service	10 amp circuit
				Socket	3-prong grounding-type
				Power cord (total length)	2000mm