

WSES4728F

4.7 cu. ft. Single Built-In Wall Oven

Large Capacity (4.7 cu ft)

7" Color LCD Touch Display

Soft Close Door

Air Fry Setting

InstaView® Window (WideView)

Steam Sous Vide

Optional Flush Installation

EasyClean®

LG Exclusive 4-Mode True Convection

ThinQ® Technology



SUMMARY	
Type	Single Wall Oven
Oven Capacity (cu. ft.)	4.7
Color	Stainless Steel
CONTROL FEATURES	
Oven Control Type	Glass Touch
Display	7" TFT LCD
Language	English / Spanish / French
Clock	12 hr or 24 hr (option)
Kitchen Timer	Yes
Timed Cook	Yes
Temperature Unit of Measure	Fahrenheit / Celsius
Cooking Complete Reminder Volume	Beeper (Hi, Lo, Off)
Certified Sabbath mode	Yes
OVEN FEATURES	
Capacity (cu.ft)	4.7
EasyClean®	Yes
EasyClean time	10 mins
Self Clean	Yes
Variable cleaning time	Yes
Steam Assist	Yes
Steam element	1,960 watts
Convection Type	True Convection
Convection element	2,000 watts (Sheath heater)
Convection Fan	Single Speed
Convection conversion	Yes
Bake element	2,500 watts
Bake element type	Hidden (8 pass)
Broil element	2,500 watts inner / 1,500 watts outer
Broil element pass	8
Variable broil	Yes (Full,Center / High,Med,Low)
Oven Cooking Modes	Bake / Conv. Bake / Conv. Roast / Broil / Air Fry / Warm / Proof / Steam Cook(Steam Bake, Sous-Vide) / Auto Cook / Favorite / Clean(Self Clean, Easy Clean, Steam Maintenance) / Sous-Vide
No of Auto cook	45EA Except Miscellaneous
No of Favorite	40EA
No of rack position	5
No of light	2 (Halogen Lamp)
Drying / Dehydrating	Yes
Proof	Yes
Temp probe	Yes
12 hrs. shut-off	Yes
Variable warm	Yes (High,Med,Low)

SMART FEATURES	
ThinQ® (Wi-Fi Enabled)	Yes
Check & Control	Yes
Voice Control	Yes
Smart Recipe (3rd Party Recipe App)	Innit, Sidechef
SmartDiagnosis™	Yes
DIMENSIONS / CLEARANCES / WEIGHT	
Product (W x H x D) : Including Door	29 3/4" x 29 7/16" x 24 15/32"
Product (W x H x D) : Including Handle	29 3/4" x 29 7/16" x 26 29/32"
Product (W x H x D) : Opening Door	29 3/4" x 29 7/16" x 45 21/32"
Cut-out (W x H x D) : Standard	Min. 28 1/2" x 29 1/8" x 24" Max. 28 5/8" x 29 3/16" x 24"
Cut-out (W x H x D) : Flush	30" x 29 5/8" x 25"
Packing (W x H x D)	34" x 33" x 30"
Product Weight (lbs)	134
Shipping Weight (lbs)	164
POWER/RATINGS	
Amp at 240V (220V)	25.4 A
kW at 240V (220V)	6.1 kW
Requirements	60 Hz / 240 V, 208 V
APPEARANCE	
All Available Colors	Stainless Steel
Handle	Stainless Steel
Printproof™ Finish	Yes
Oven Door Feature	WideView™ Window
InstaView®	Yes
ACCESSORIES	
Broiler pan	1EA
Griddle	1EA
Meat probe	1EA
Heavy Duty Rack	2EA
Gliding Rack	1EA
Air Fry Rack	1EA
LIMITED WARRANTY	
Parts & Labor	2 Years
UPC CODES	
WSES4728F (Printproof™ Stainless Steel)	195174022832

WSES4728F

4.7 cu. ft. Single Built-In Wall Oven

QUICK INSTALL & CLEARANCES

For full installation directions/clearances please refer to the corresponding User Manual and Installation Guide.

PROPER LOCATION AND DIMENSIONS

Measure the current cutout dimensions and compare them to the cutout dimensions shown below. Little or no cabinet work may be necessary.

- The cabinet base platform must be able to support 190 lbs (86 kg) for single built-in oven, 325 lbs (147 kg) for double built-in oven. If the cabinet does not have a solid bottom, two braces or runners must be installed level with the bottom of the cutout to support the weight of the appliance. Make sure the base is level and the front of the cabinet is square. If the cabinet base is not level, the oven racks will tend to slide out when opening the door.
- Make sure the cabinets and wall coverings around the oven can withstand the temperature (up to 194 °F (90°C)) generated by the oven. Discoloration, delamination or melting may occur.
- Kitchen cabinets in contact with the oven must be heat resistant up to 194°F (90°C), and fronts of nearby units up to at least 158°F (70°C).
- DO NOT remove spacers ③ on the side walls of the built-in oven. These spacers center the oven in the space provided. The oven must be centered to prevent excess heat buildup that may result in heat damage or fire.
- The information in this manual should be followed exactly. Failure to do so could result in fire or electrical shock, causing property damage, personal injury or death.
- DO NOT put any weight on the oven door. Never allow anyone to climb, sit, stand or hang on the oven door. The oven could be tipped and injury might result from contact with hot food or the oven itself.
- DO NOT block the oven air exhaust located at the bottom of the oven. Blocking the exhaust may cause cabinet damage and product malfunction.

NOTE

- If marks, blemishes or the cutout opening are visible above the installed appliance, it may be necessary to add wood shims under the runners and front trim until the marks or opening are covered.
- If the cabinet does not have a front frame and the sides are less than 3/4" (1.9 cm) thick, shim both sides equally to establish the cutout width.
- The junction box ① must be flush with the conduit opening ② of the cabinet as shown.
- Allow at least a 23" clearance for the door depth when it is open.
- Do not remove the gliding racks from the base packing. Gliding racks are attached separately to the top and bottom of the oven.

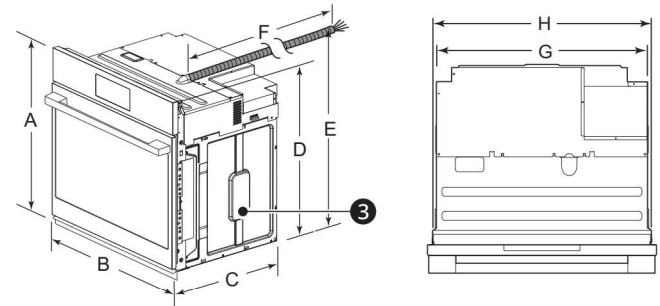
POWER / RATINGS

ENERGY STAR® Qualified	-
CEE Tier	-
Amp at 240V	25.45 A
kW at 240V	6.1 kW
Requirements	60 Hz / 240 V, 208 V

DIMENSIONS / CLEARANCES / WEIGHT

A Height	29 7/16"
B Width	29 3/4"
C Depth	23 3/8"
D Height (standard installation)	29"
E Height (power cord)	27 1/2"
F Length (power cord)	60"
G Width (back)	27 3/8"
H Width (standard installation)	28 7/16"

③ Cleat (Spacer)



DIMENSIONS / CLEARANCES / WEIGHT

I Cabinet width	30"
J Overlap of oven	1"
K Cutout width	28 1/2" Min. 28 5/8" Max.
L Depth of open door	23"
M Cutout height	29 1/8" Min. 29 3/16" Max.
N Cutout depth	24" Min.
O Cutout location from floor	31"
P Height of conduit opening from floor of cutout	23 1/2"
Q Distance of conduit opening from side of cabinet	5"

① Junction box

② Conduit opening

