

## LG STUDIO

## LSIS6338F

LG STUDIO 6.3 cu.ft. InstaView®  
Induction Slide-in Range

Large Capacity Oven (6.3 cu. ft.)

Air Sous Vide and Air Fry

InstaView® Window (WideView™)

ProBake Convection™ with Induction Cooktop

Storage Drawer

ThinQ® Technology

EasyClean®



CAPACITY	
Type	Electric Single Oven Slide-in
Oven Capacity (cu. ft.)	6.3 cu. ft.
Colour	Stainless Steel
COOKTOP	
Type	Induction + Radiant
No of Radiant Elements	5 ( 4- induction; 1 radiant)
Element Size/Wattage - Left Rear	1800 (Boost) / 1300 (Normal) (6")
Element Size/Wattage - Right Rear	100 (6")
Element Size/Wattage - Left Front	3200 (Boost) / 2100 (Normal) (8")
Element Size/Wattage - Right Front	4300 (Boost) / 2400 (Normal) (11")
Center (Warming Zone)	1800 (Boost) / 1300 (Normal) (6")
OVEN FEATURES	
Broil Element (Watt)	Sheath 4200 / 6 Pass
Convection (Watt)	Sheath 2500W
Convection Fan	Dual Speed (High/Low)
Convection Type	ProBake Convection™
Oven Modes	Bake, Conv. Bake, Conv. Roast, Broil High, Broil Low, Warm, Proof, Frozen Meal, Air Fry, Air Sous-Vide, EasyClean, Self Clean
Oven Control Features	Glass Touch
Convection Conversion	Yes
EasyClean®	Yes
EasyClean® Time	10 mins
Self Clean	Yes
GoCook Smart Oven Light	Yes
No. of Rack Positions	7
Control Lock	Yes (Key + Cooktop Lock)
Automatic Safety Shut-Down	After 12 Hours
DRAWER FEATURES	
Type	Storage (no Handle)
CONTROL	
Cooktop Control Type	Front Control Knobs
Oven Control Type	Glass Touch
Back Lighting	Yes
Knob Lighting	Yes
Display	LED / White
Language	English
Clock	12 hr or 24 hr (option)
Kitchen Timer	Yes
Timed Cook	Yes
Temperature Unit of Measure	Fahrenheit / Celsius
Cooking Complete Reminder Volume	Beeper (Hi, Lo, Off)
Certified Sabbath mode	Yes

APPEARANCE	
All Available Colours	Stainless Steel
Knobs	AL Forging
Handle	Stainless Steel
Smudge Resistant Finish	Yes
Oven Door Feature	InstaView + WideView™
Cooktop Finish	Black Ceramic + Grey Pattern
SMART FEATURES	
ThinQ® (Wifi Enabled)	Yes
Check & Control	Yes
Voice Control	Yes
Smart Recipe (3rd Party Recipe App)	Sidechef
SmartDiagnosis™	Yes
DIMENSIONS / CLEARANCES / WEIGHT	
Shipping Weight (lbs)	226.6lb (102.8kg)
Product Weight (lbs)	188.8lb (85.65kg)
Cabinet Width (in)	30"
Overall Depth (in) - without handle	26 7/8"
Overall Depth (in) - including handle	29 3/8"
Overall Height (in)	37 2/8"
Overall Width (in)	29 7/8"
Oven Interior Dimensions (in) (W x H x D)	24 7/8" x 21 3/8" x 20"
Height to Cooking Surface (in)	36"
Drawer Dimensions (in) (W x H x D)	22 3/16" x 4 1/2" x 16 3/8"
Carton Dimensions (in) (W x H x D)	32 1/2" x 44" x 30 1/2"
POWER/RATINGS	
Amp Rating at 208V	49A
Amp Rating at 240V	49.6A
KW Rating at 208V	10.2kW
KW Rating at 240V	11.9kW
Required Power Supply (amp)	40A
ACCESSORIES	
Gliding Rack	1
Heavy Duty Rack	2
Air Fry Rack	1
Temp Probe	Yes
Cooktop Cream/ Cleaner	Yes
LIMITED WARRANTY	
Parts & Labour	2 Years
UPC CODES	
LSIS6338F (Stainless Steel)	195174020562

# LSIS6338F

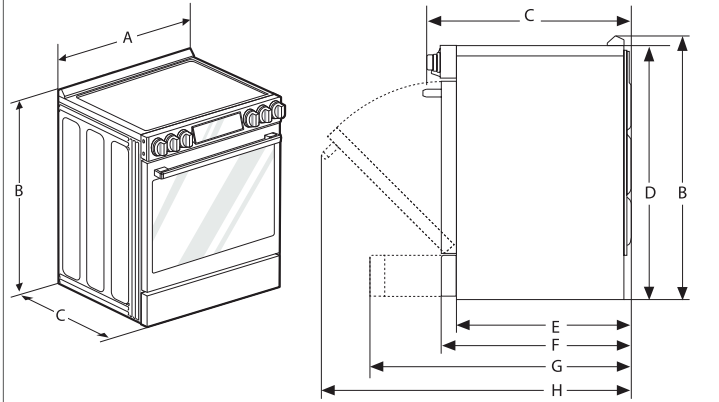
LG STUDIO 6.3 cu.ft. InstaView®  
Induction Slide-in Range

## QUICK INSTALL & CLEARANCES

For full installation directions/clearances please refer to the corresponding User Manual and Installation Guide.

### DIMENSIONS / CLEARANCES

A Width	29 7/8"
B Height	37 1/4"
C Depth (Includes Door Handle)	29 3/8"
D Height (Excludes Vent Trim)	36"
E Depth (Includes only the product body that is loaded into the cabinet.Excludes door, drawer, and handles)	24 3/4"
F Depth (Excludes Door Handle)	26 7/8"
G Depth when drawer is fully opened	36 1/16"
H Depth when door is fully opened	48 5/8"



### POWER/RATINGS

Amp Rating at 208V	48.5A
Amp Rating at 240V	49.6A
KW Rating at 208V	10.1kW
KW Rating at 240V	11.9kW
Required Power Supply (amp)	40A

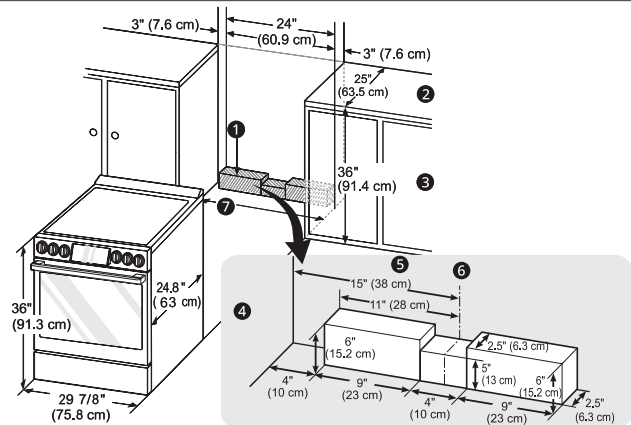
### Electrical Requirements

- This appliance must be installed and grounded on a branch circuit by a qualified technician in accordance with the National Electrical code ANSI/NFPA NO. 70 - latest edition.
- All wiring should conform to Local and NEC codes. This range requires a singlephase, 3 wire, A.C 120/208 V or 120/240 V 60 Hz electrical system. Use only a 3-conductor or a 4-conductor UL - listed range cord with closed-loop terminals, open-end spade lugs with upturned ends or similar termination. Do not install the power cord without a strain relief.
- A range cord rated at 40 amps with 120/240 minimum volt range is required. If a 50 amp range cord is used, it should be marked for use with 13/ 8" diameter connection openings. This appliance may be connected by means of a conduit or power cord. If a conduit is being used, refer to "3-Wire Connection: Conduit" or "4-Wire Connection: Conduit" sections.
- The range should always be plugged into its own individual properly grounded electrical outlet. This prevents overloading house wiring circuits which could cause a fire hazard from overheated wires. It is recommended that a separate circuit serving only this appliance be provided.



Scan to see the online Owner's Manual

### CLEARANCES

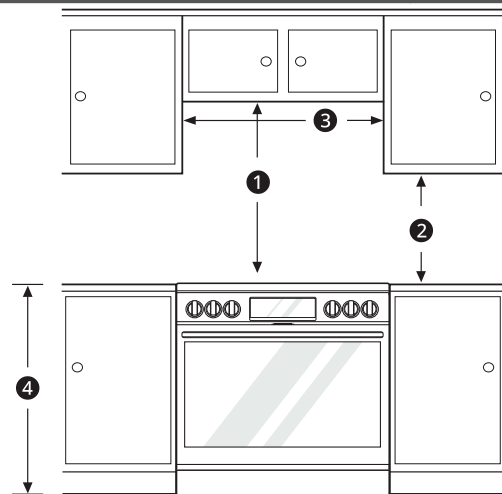


- Acceptable electrical outlet area
- Normal counter top depth
- Counter top height
- Cabinet
- Wall
- Center
- Cabinet opening = 30" (76.2 cm) - 31" (78.7 cm)

The range should always be plugged into its own individual properly grounded electrical outlet.

- This prevents overloading house wiring circuits which could cause a fire hazard from overheated wires.
- It is recommended that a separate circuit serving only this appliance be provided.

### MINIMUM DIMENSIONS



- |  |     |
|--|-----|
| 1 Minimum distance from top of range to combustible surface overhead | 30" |
| 2 Minimum distance from countertop to overhead cabinets at side      | 15" |
| 3 Minimum opening in overhead cabinets                               | 30" |
| 4 Height of countertop   | 36" |

### NOTE

- ① 30" (76.2 cm) minimum clearance between the top of the cooking surface and the bottom of an unprotected wood or metal cabinet; or 24" (60.9 cm) minimum when bottom of wood or metal cabinet is protected by not less than 1/4" (6.4 cm) flame retardant millboard covered with not less than no. 28 MSG sheet steel, 0.015" (0.381 mm) stainless steel, 0.024" (0.610 mm) aluminum or 0.020" (0.508 mm) copper.
- ② 15" (38.1 cm) minimum between countertop and adjacent cabinet bottom.
- Important - Save for the use of the local electrical inspector.
- For installation in Canada, a free-standing range is not to be installed closer than 15/32" (12 mm) from any adjacent surface.